



US00D590659S

(12) **United States Design Patent**  
**Lloyd et al.**

(10) **Patent No.:** **US D590,659 S**

(45) **Date of Patent:** **\*\* Apr. 21, 2009**

(54) **COCKTAIL GLASS**

(75) Inventors: **Malcolm Lloyd**, Princeton, NJ (US);  
**Devin Wilson**, Arlington, MA (US)

(73) Assignee: **Old Nassau Imports, LLC**, Princeton,  
NJ (US)

(\*\*) Term: **14 Years**

(21) Appl. No.: **29/318,285**

(22) Filed: **May 16, 2008**

(51) **LOC (9) Cl.** ..... **07-01**

(52) **U.S. Cl.** ..... **D7/509; D7/523; D7/558;**  
D7/584

(58) **Field of Classification Search** ..... D7/509-515,  
D7/524, 527, 558, 586, 523, 565, 584; 215/374;  
220/703, 719, 574, 575  
See application file for complete search history.

(56) **References Cited**

**U.S. PATENT DOCUMENTS**

3,269,144	A	*	8/1966	Paris	.....	62/457.3
D369,114	S	*	4/1996	Davidov	.....	D10/46.2
6,290,123	B1	*	9/2001	Pei	.....	229/117
D471,404	S	*	3/2003	Gady	.....	D7/523
D480,269	S	*	10/2003	Currier	.....	D7/515
D519,785	S	*	5/2006	Bodum	.....	D7/523

D539,611	S	*	4/2007	Wasserman et al.	.....	D7/586
D557,074	S	*	12/2007	Bardolet	.....	D7/523
D574,251	S	*	8/2008	Lloyd et al.	.....	D9/544
D578,414	S	*	10/2008	Owen	.....	D10/46.2
D583,194	S	*	12/2008	Pourounidis et al.	.....	D7/565

\* cited by examiner

*Primary Examiner*—Marianne Pandozzi

(74) *Attorney, Agent, or Firm*—PatentBest; Andrew  
McAleavey

(57) **CLAIM**

The ornamental design for a cocktail glass, as shown and  
described.

**DESCRIPTION**

FIG. 1 is a perspective view of the cocktail glass illustrating  
our new design;

FIG. 2 is a front elevational view of the cocktail glass;

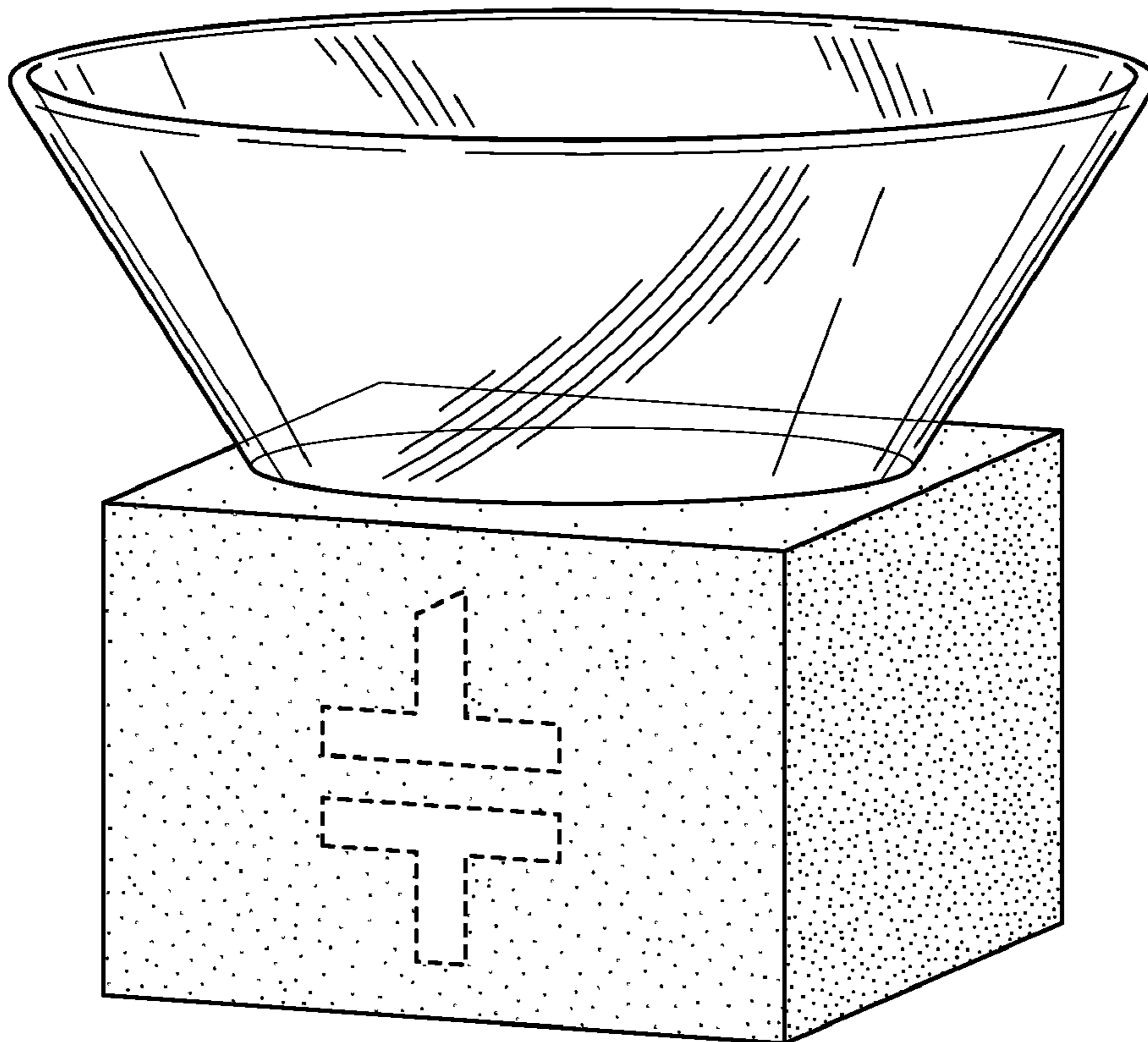
FIG. 3 is a rear elevational view of the cocktail glass;

FIG. 4 is a top plan view of the cocktail glass; and,

FIG. 5 is a bottom plan view of the cocktail glass.

The left and right sides of the cocktail glass are mirror images  
of one another. Additionally, the broken lines illustrate the  
bounds of the claimed design; the area enclosed by broken  
lines forms no part of the claim.

**1 Claim, 3 Drawing Sheets**



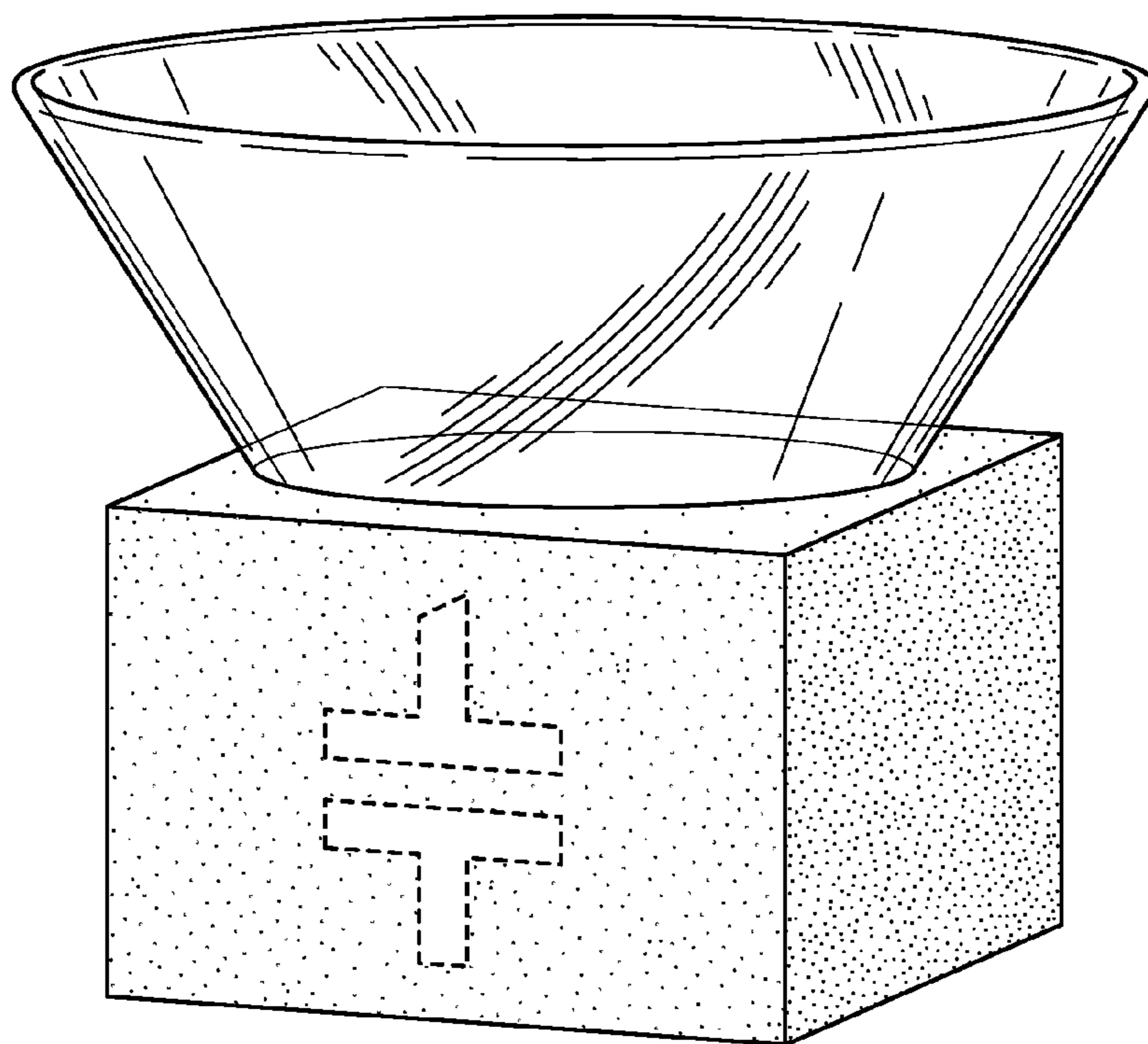


FIG. 1

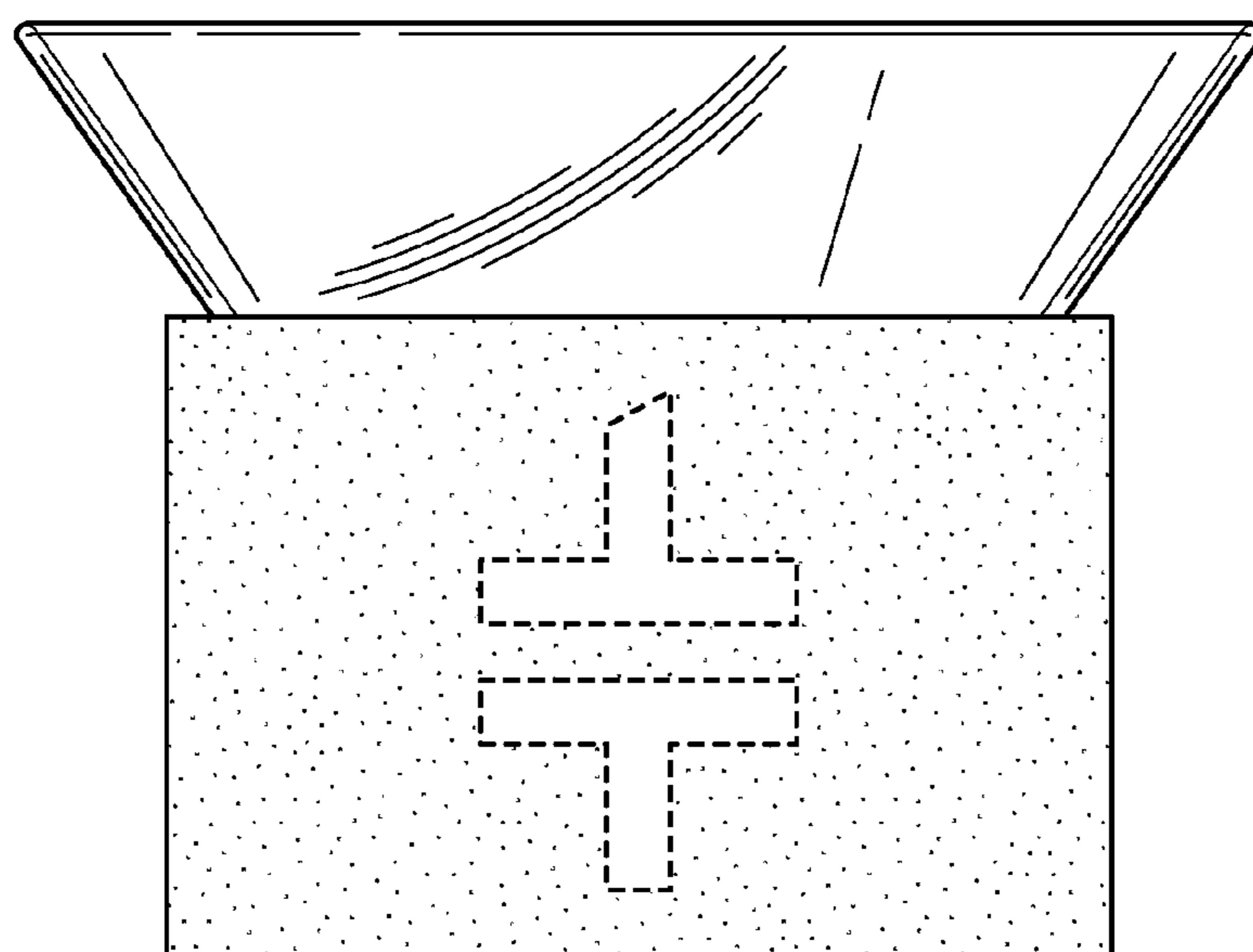


FIG. 2

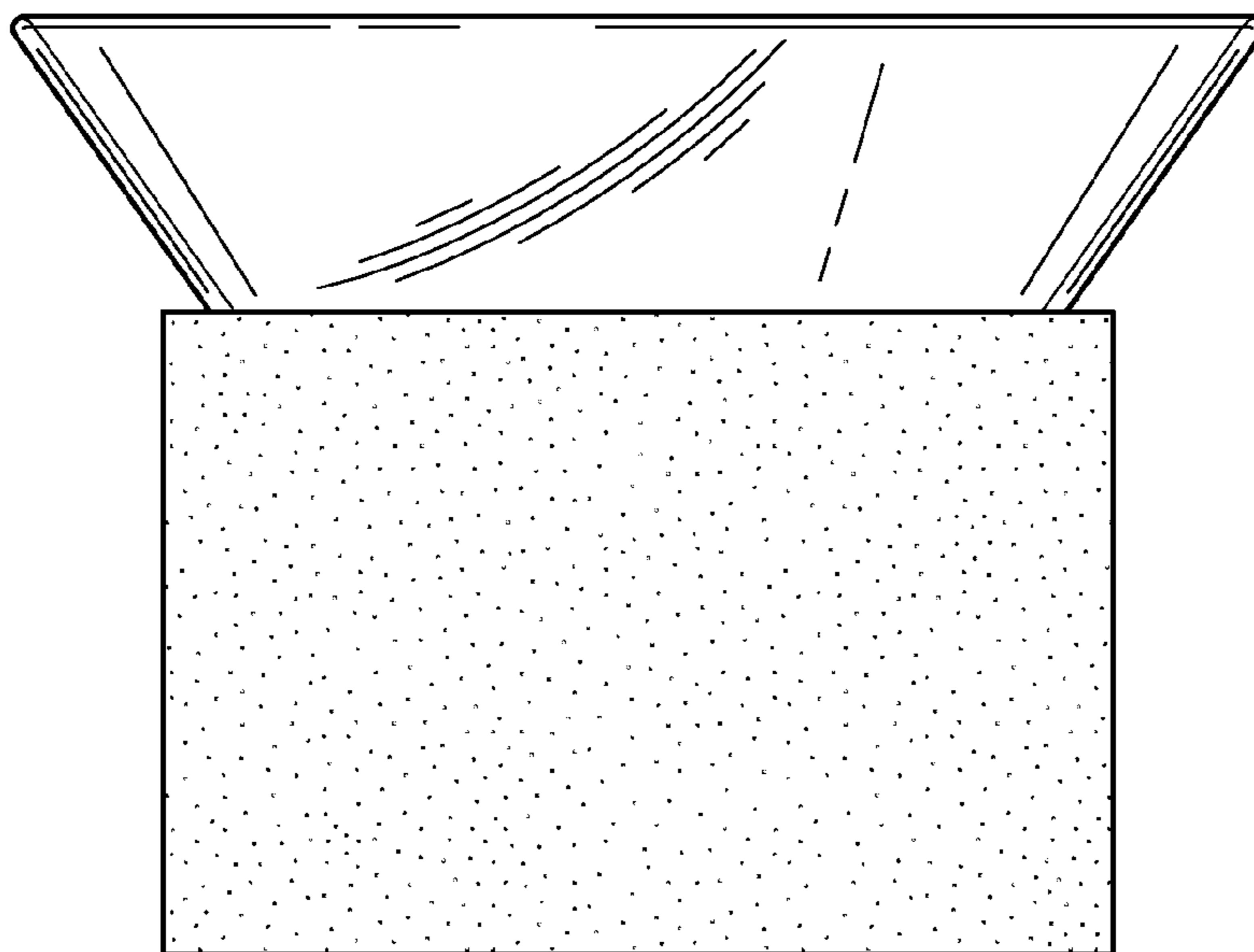


FIG. 3

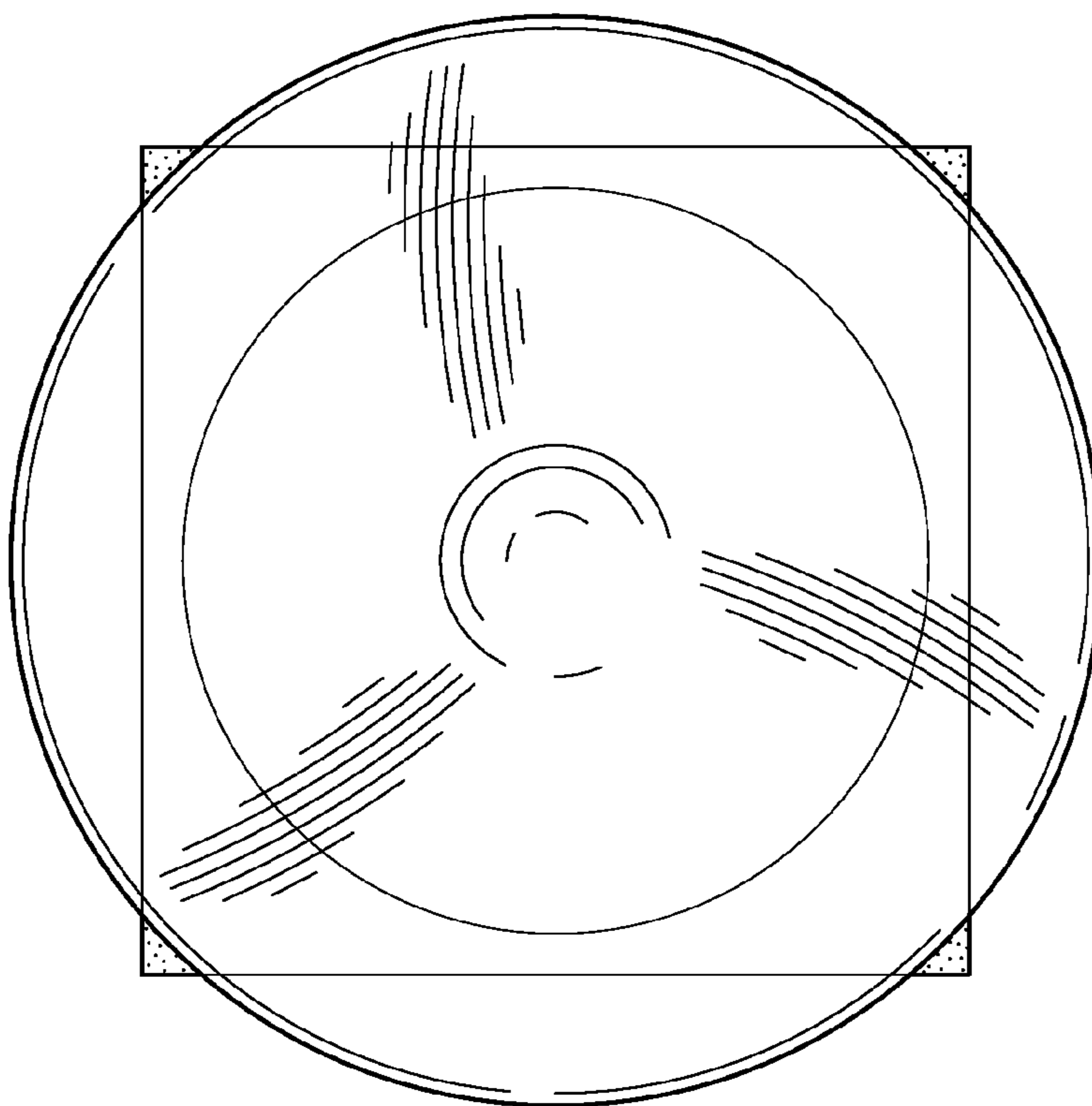


FIG. 4

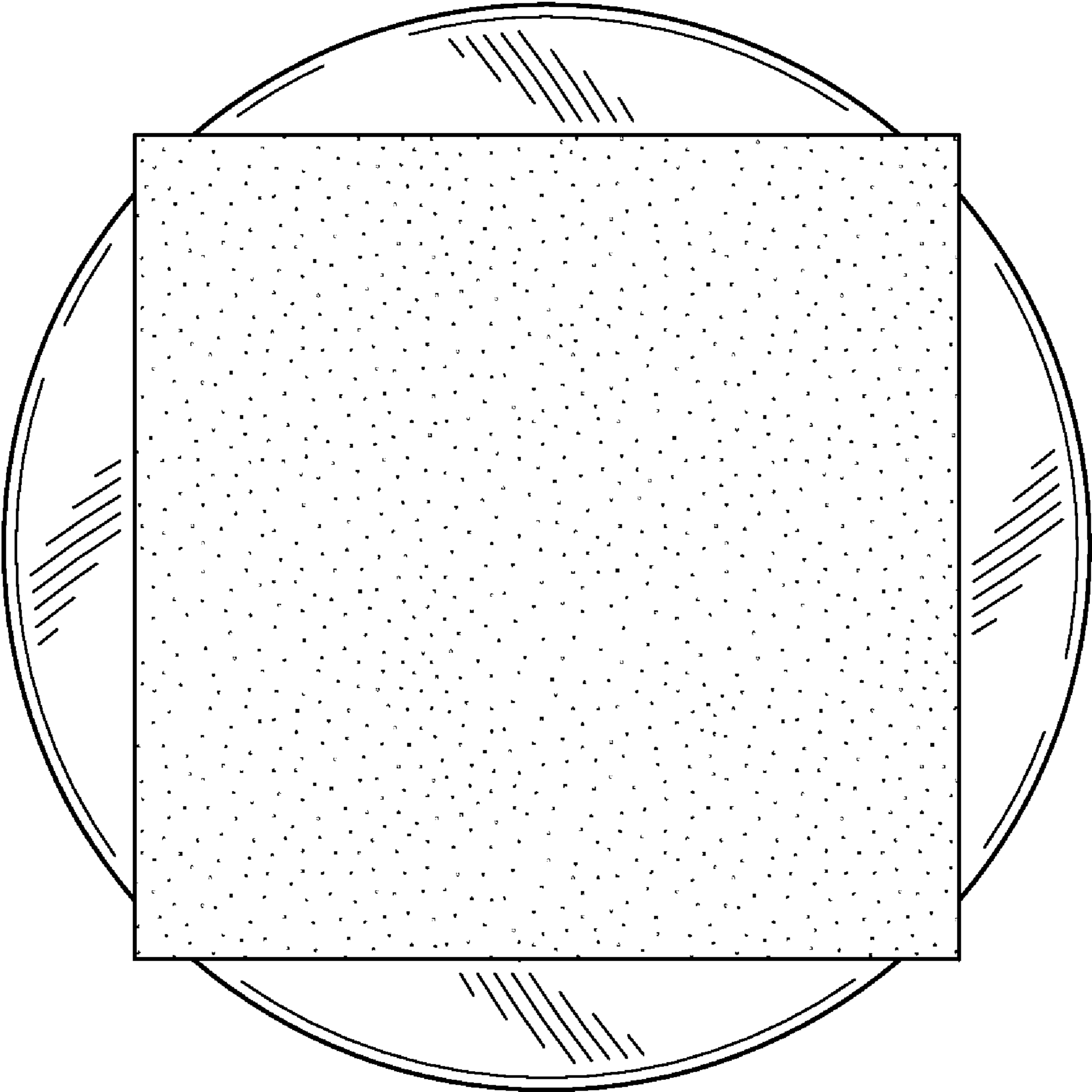


FIG. 5