



US00D590653S

(12) **United States Design Patent**  
**Lavy**

(10) **Patent No.:** **US D590,653 S**  
(45) **Date of Patent:** **\*\* Apr. 21, 2009**

(54) **TOASTER**

(76) Inventor: **Danny Lavy**, 775 Lexington Ave.,  
Westmont, Quebec (CA) H3Y 1K9

(\*\*) Term: **14 Years**

(21) Appl. No.: **29/326,792**

(22) Filed: **Oct. 24, 2008**

(51) **LOC (9) Cl.** ..... **07-02**

(52) **U.S. Cl.** ..... **D7/330**

(58) **Field of Classification Search** ..... D7/323,  
D7/328-333, 340-341, 346, 354-365, 367,  
D7/385, 390, 402, 405-411; D13/158, 162,  
D13/162.1, 163; 99/331-332, 357, 375,  
99/385; 219/214, 388, 405, 443.1, 450.1,  
219/489, 492, 532

See application file for complete search history.

(56) **References Cited**

**U.S. PATENT DOCUMENTS**

|           |   |   |         |                         |       |         |
|-----------|---|---|---------|-------------------------|-------|---------|
| D124,059  | S | * | 12/1940 | Christenson, Jr. et al. | ....  | D7/330  |
| 2,257,906 | A | * | 10/1941 | Gough                   | ..... | 99/327  |
| 2,309,640 | A | * | 1/1943  | Gough                   | ..... | 99/327  |
| D151,113  | S | * | 9/1948  | Yaeger                  | ..... | D7/330  |
| D156,153  | S | * | 11/1949 | Olson et al.            | ..... | D7/330  |
| 2,611,849 | A | * | 9/1952  | Gough                   | ..... | 219/489 |
| D298,997  | S | * | 12/1988 | Mezey                   | ..... | D7/330  |
| D557,061  | S | * | 12/2007 | Genslak et al.          | ..... | D7/330  |

\* cited by examiner

*Primary Examiner*—Caron Veynar  
*Assistant Examiner*—Ricky Pham  
(74) *Attorney, Agent, or Firm*—Cook Alex Ltd.

(57) **CLAIM**

The ornamental design for a toaster, as shown and described.

**DESCRIPTION**

FIG. 1 is a front perspective view of a toaster showing my new design;

FIG. 2 is a front elevational view of the toaster shown in FIG. 1;

FIG. 3 is a rear elevational view of the toaster shown in FIG. 1;

FIG. 4 is a top plan view of the toaster shown in FIG. 1;

FIG. 5 is a front perspective view of an alternative toaster showing my new design;

FIG. 6 is a front elevational view of the toaster shown in FIG. 5;

FIG. 7 is a rear elevational view of the toaster shown in FIG. 5;

FIG. 8 is a top plan view of the toaster shown in FIG. 5; and,

FIG. 9 is a left side elevational view of the toasters shown in FIGS. 1 and 5, the right side being a mirror image of the left side.

The broken lines shown in the Figures are used for illustrative purposes only and form no part of the claimed design.

**1 Claim, 7 Drawing Sheets**

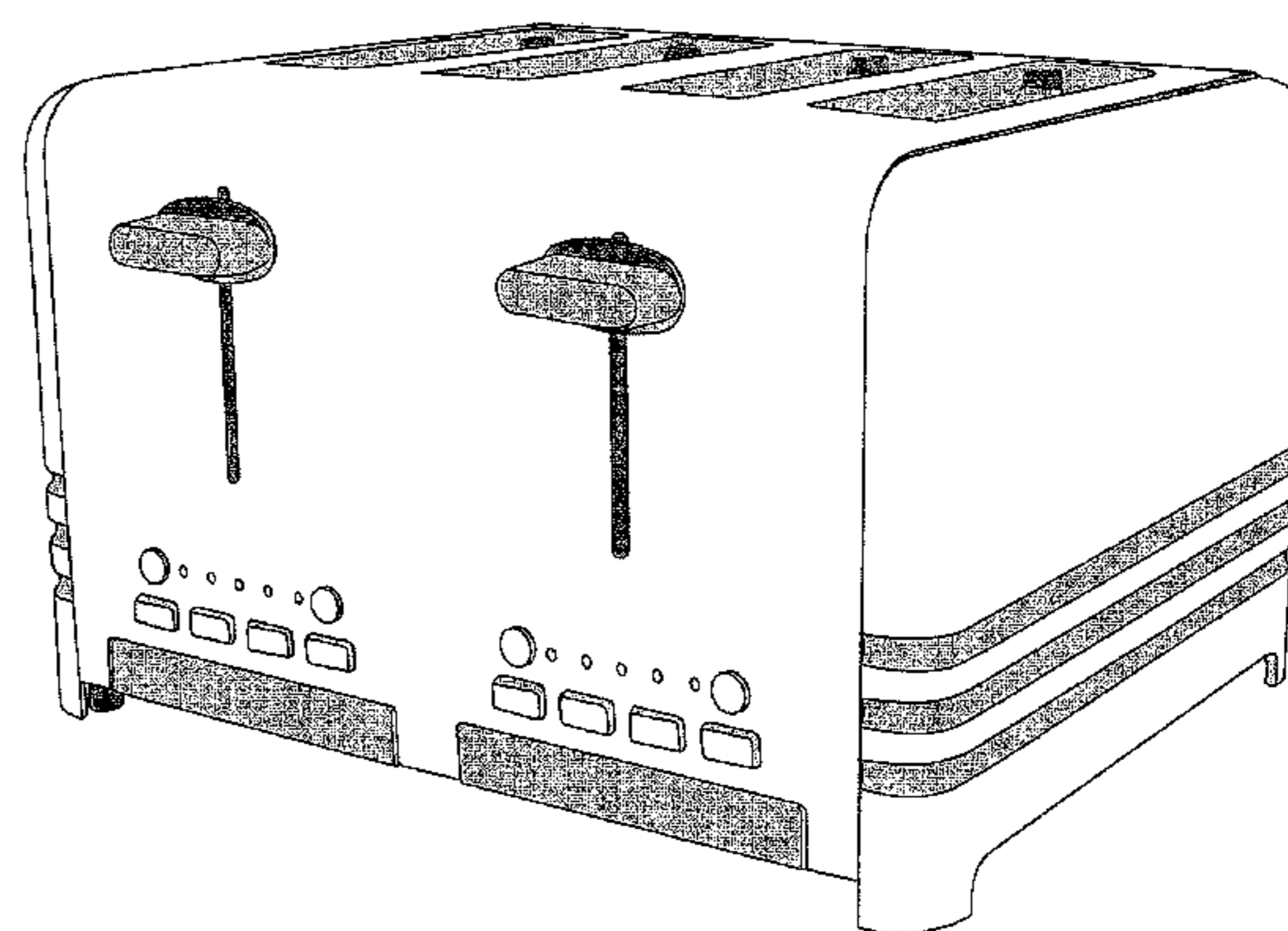
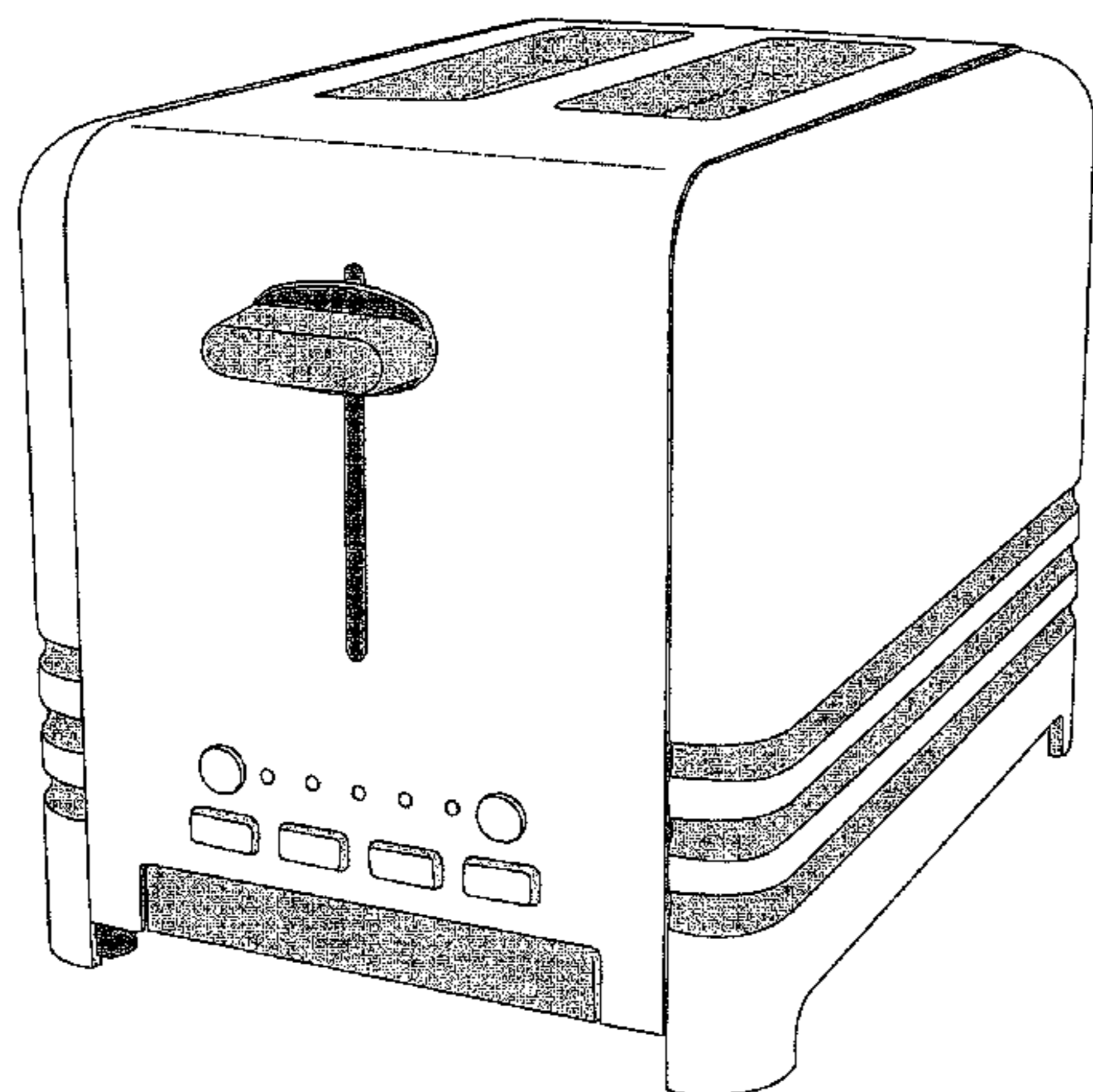


FIGURE 1

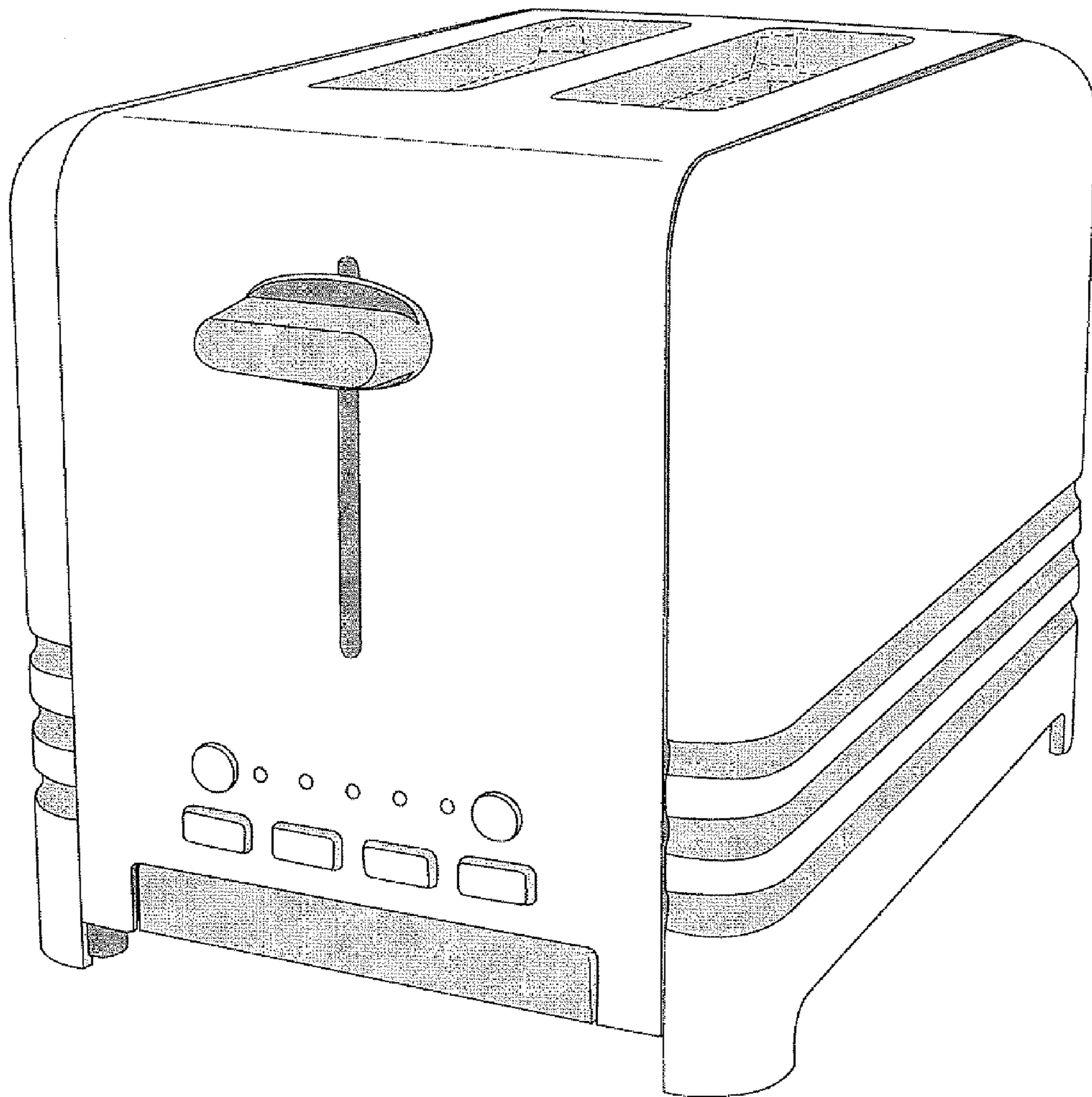


FIGURE 2

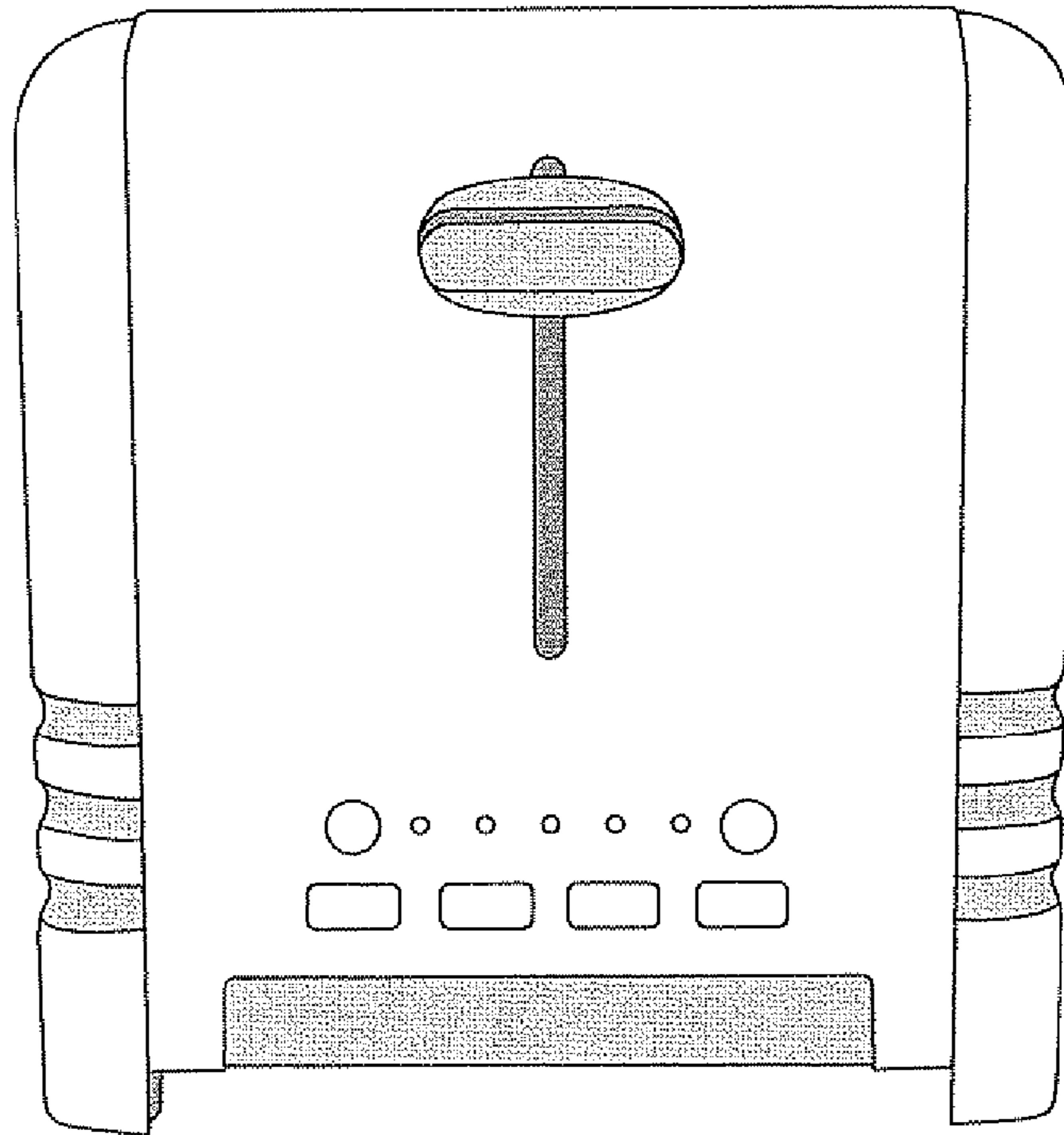


FIGURE 3

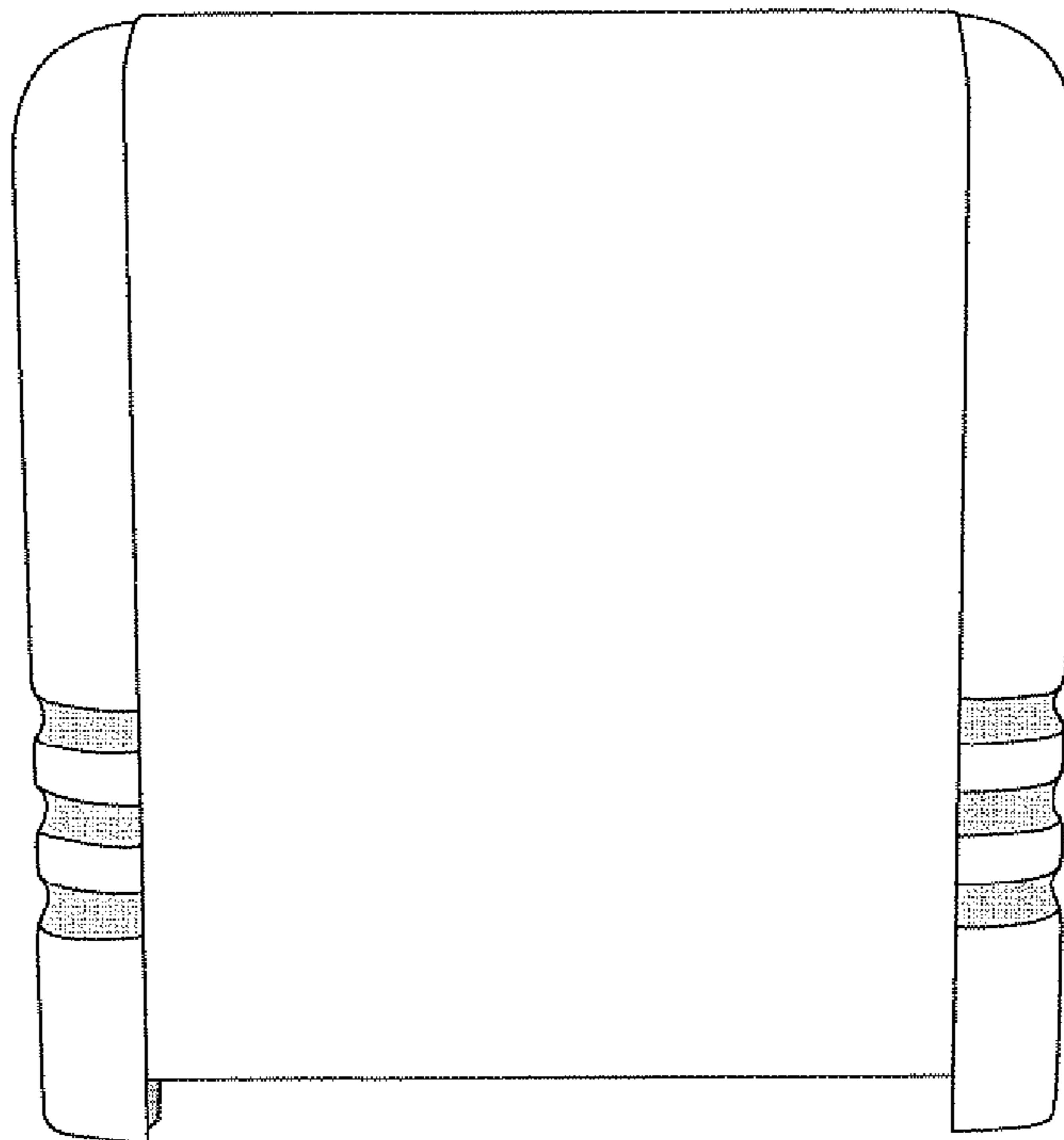


FIGURE 4

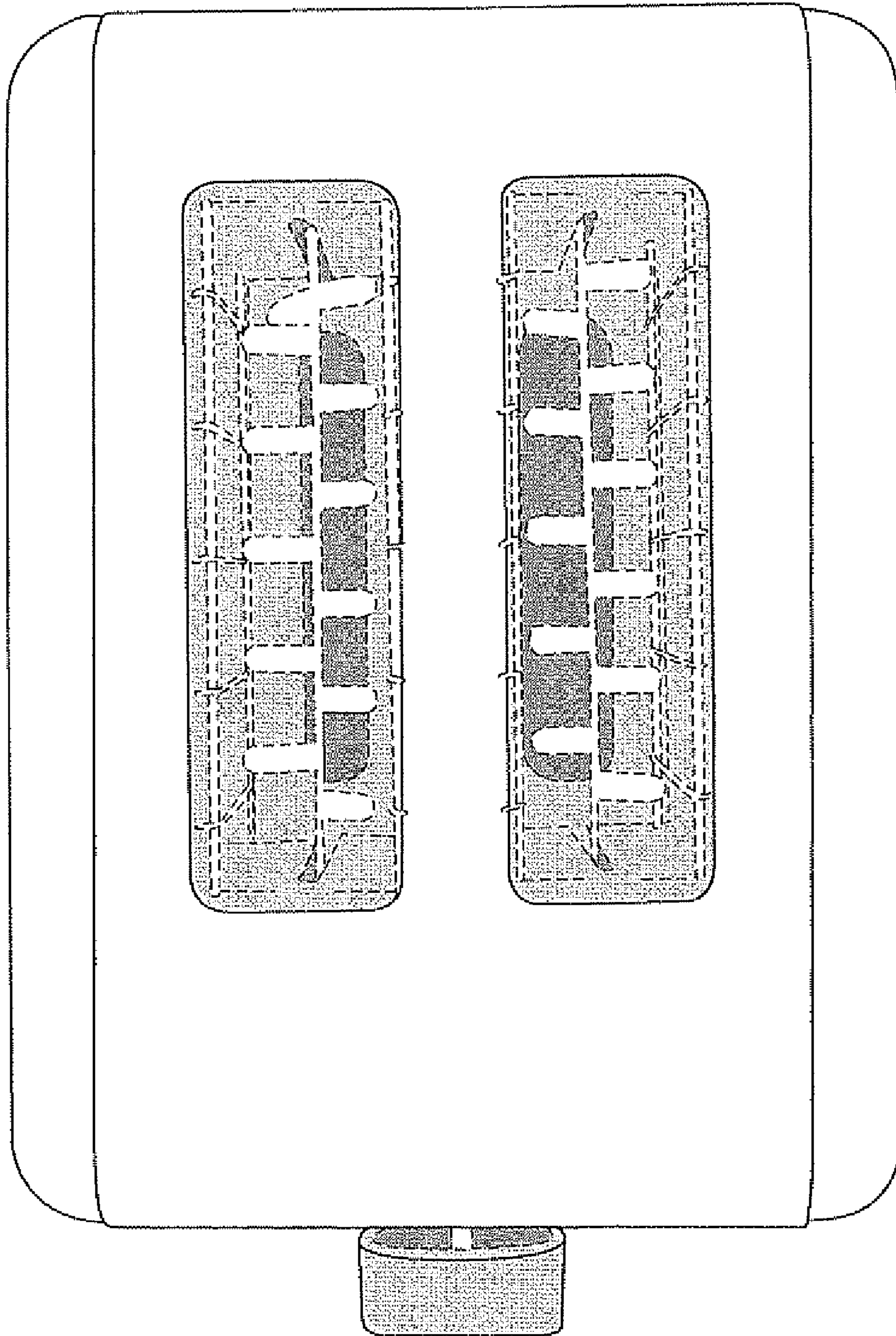


FIGURE 5

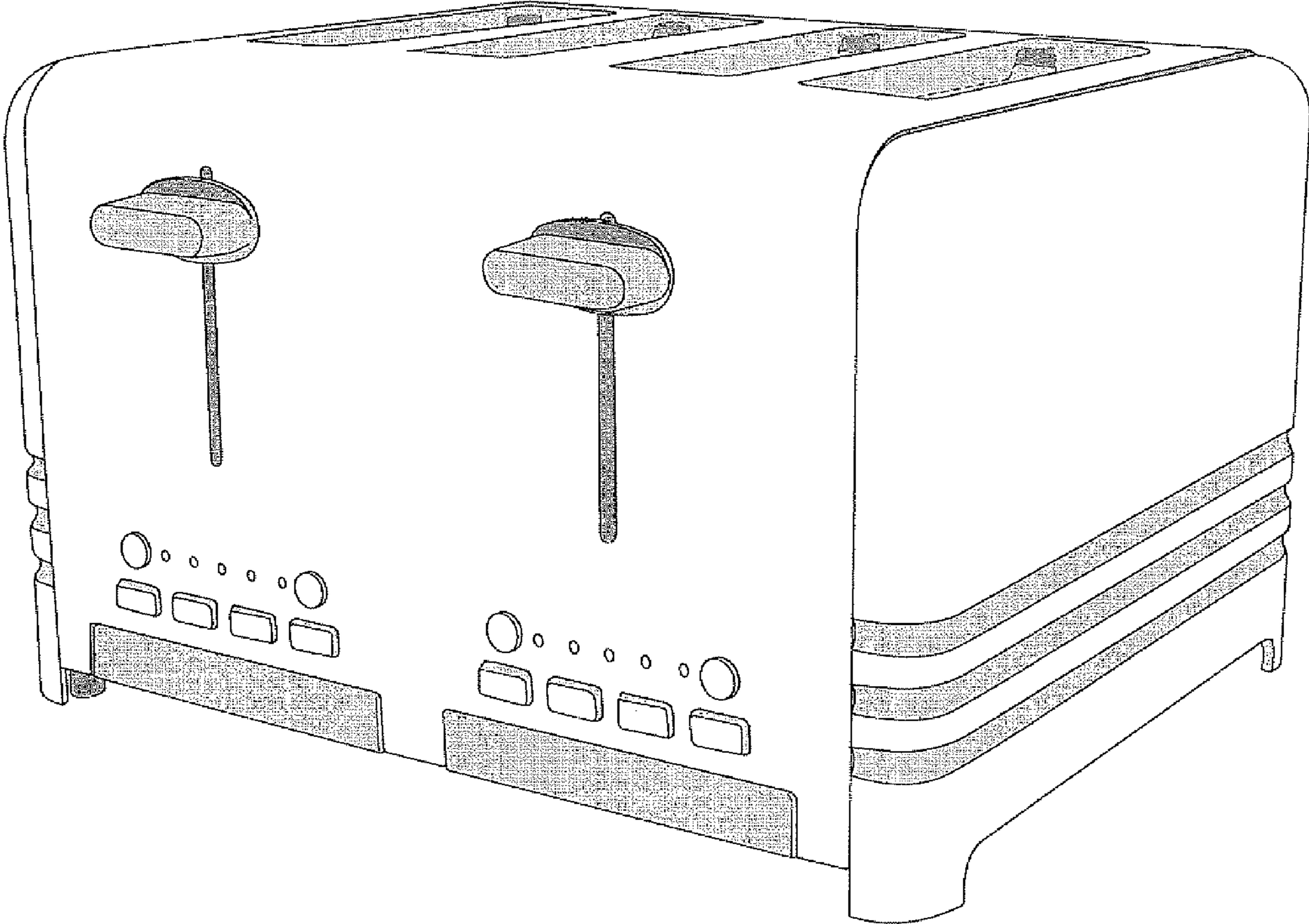


FIGURE 6

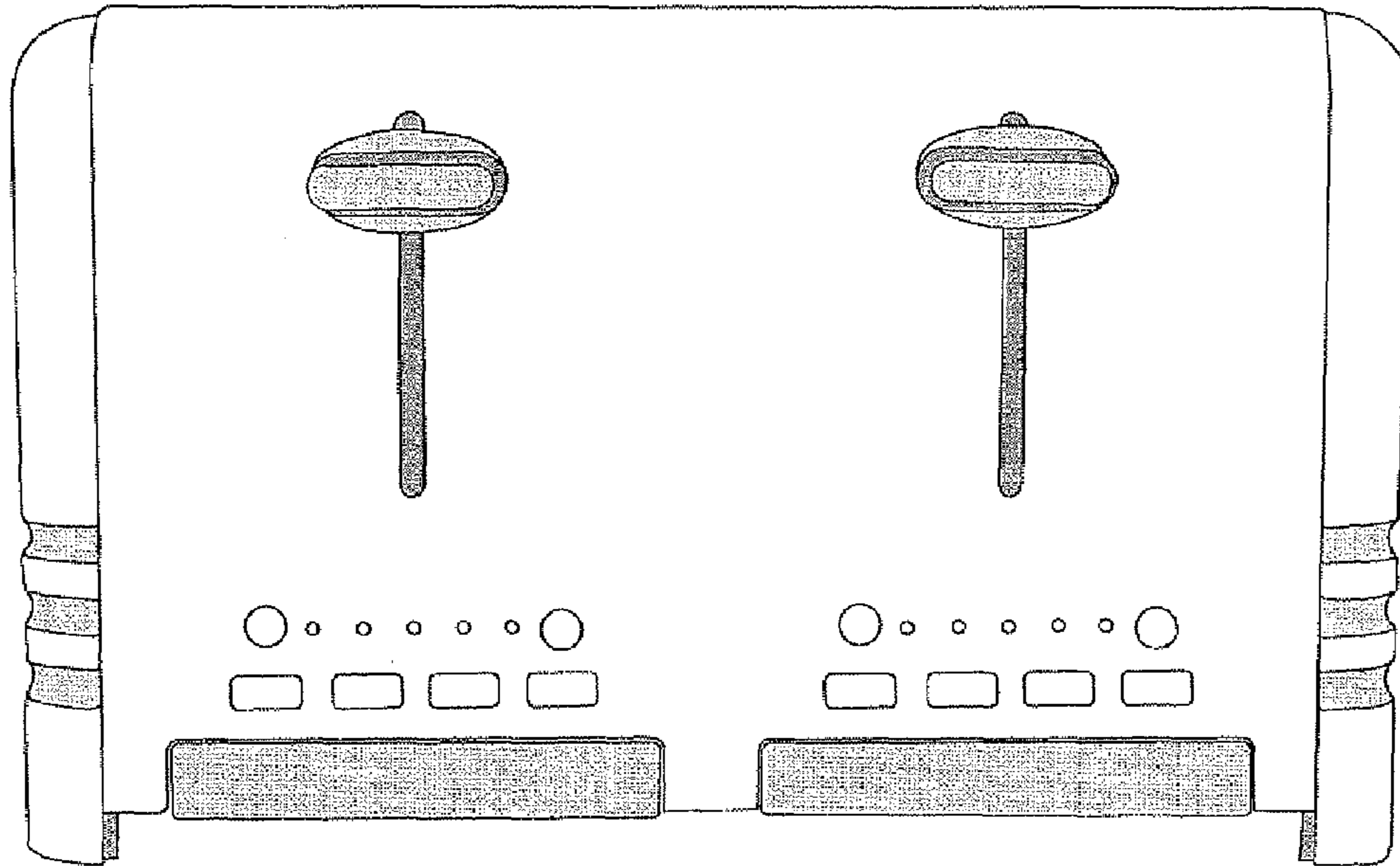


FIGURE 7

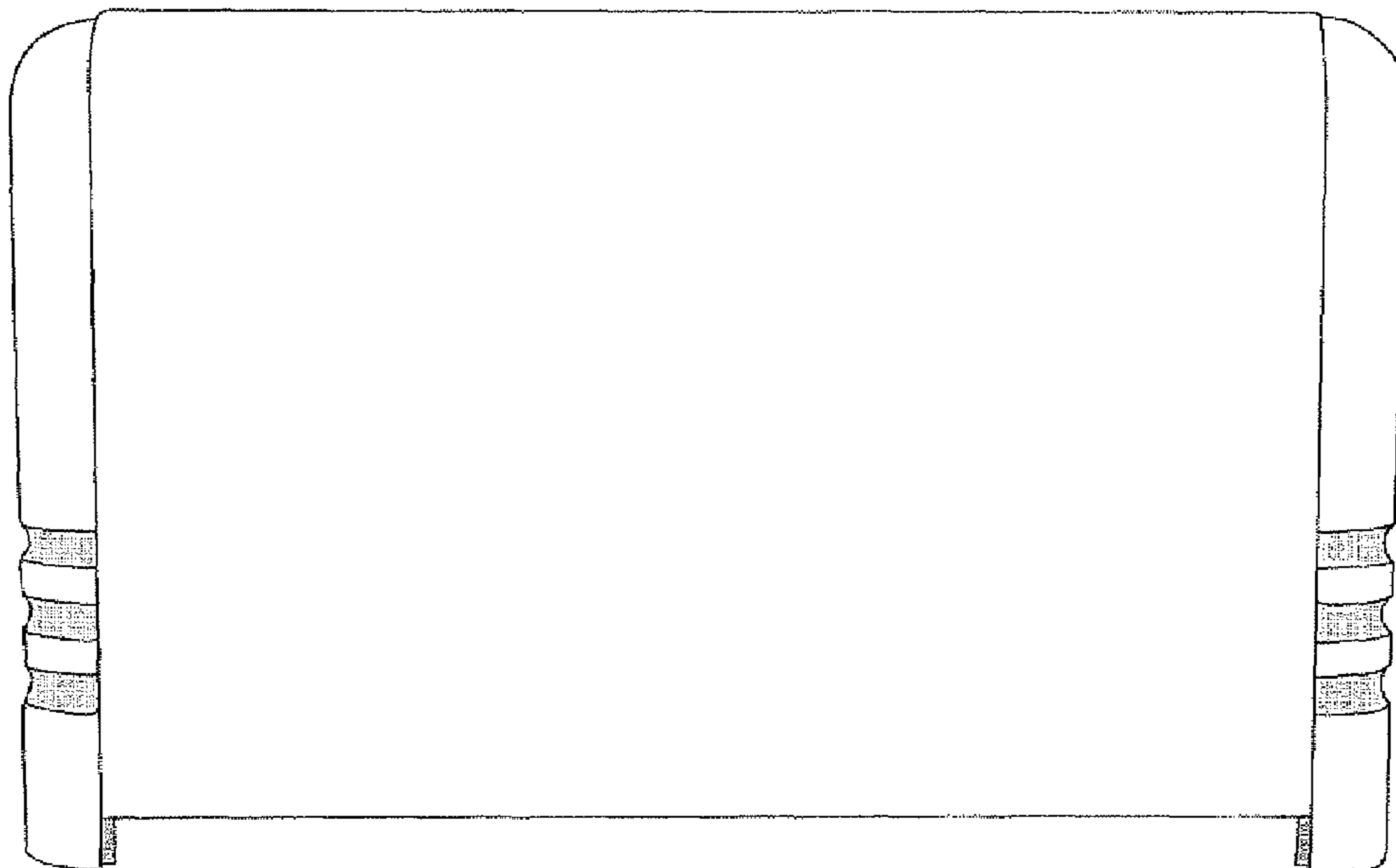


FIGURE 8

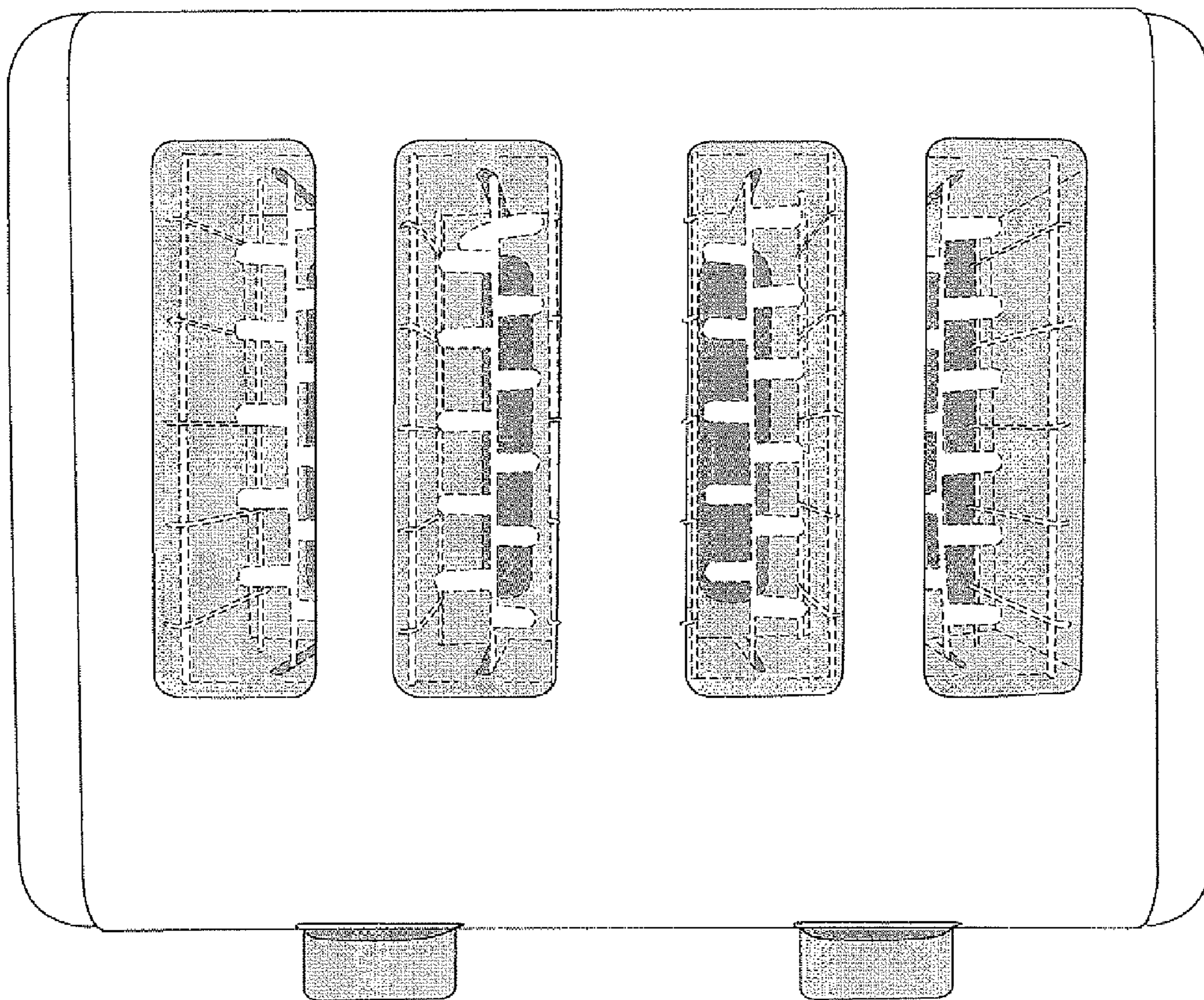


FIGURE 9

