



US00D590651S

(12) **United States Design Patent**
O'Loughlin

(10) **Patent No.:** **US D590,651 S**

(45) **Date of Patent:** **** Apr. 21, 2009**

(54) **ESPRESSO MACHINE**

(75) Inventor: **Nick O'Loughlin**, Sydney (AU)

(73) Assignee: **Sunbeam Corporation Limited**, Botany
NSW (AU)

(**) Term: **14 Years**

(21) Appl. No.: **29/291,965**

(22) Filed: **Sep. 21, 2007**

(30) **Foreign Application Priority Data**

Mar. 22, 2007 (AU) 17034/2007

(51) **LOC (9) Cl.** **07-01**

(52) **U.S. Cl.** **D7/309**

(58) **Field of Classification Search** D7/300,
D7/305, 306, 307, 308; 99/299, 284, 280,
99/283, 300; 222/129.1-129.4; 219/433
See application file for complete search history.

(56) **References Cited**

U.S. PATENT DOCUMENTS

D324,150 S * 2/1992 De Felip D7/309

D324,621 S * 3/1992 Haslacher D7/309

D414,371 S * 9/1999 Seiffert D7/309

D449,198 S * 10/2001 Cahen D7/309

D528,845 S * 9/2006 Zimmermann D7/309

D556,495 S * 12/2007 Davenport D7/309

D575,977 S * 9/2008 Rose D7/309

* cited by examiner

Primary Examiner—Holly H Baynham

Assistant Examiner—Sheryl Lane

(74) *Attorney, Agent, or Firm*—Tiajolloff and Kelly LLP

(57) **CLAIM**

The ornamental design for an espresso machine, as shown and described.

DESCRIPTION

FIG. 1 is a right hand side view of the espresso machine;

FIG. 2 is a front view thereof;

FIG. 3 is a left hand side view thereof;

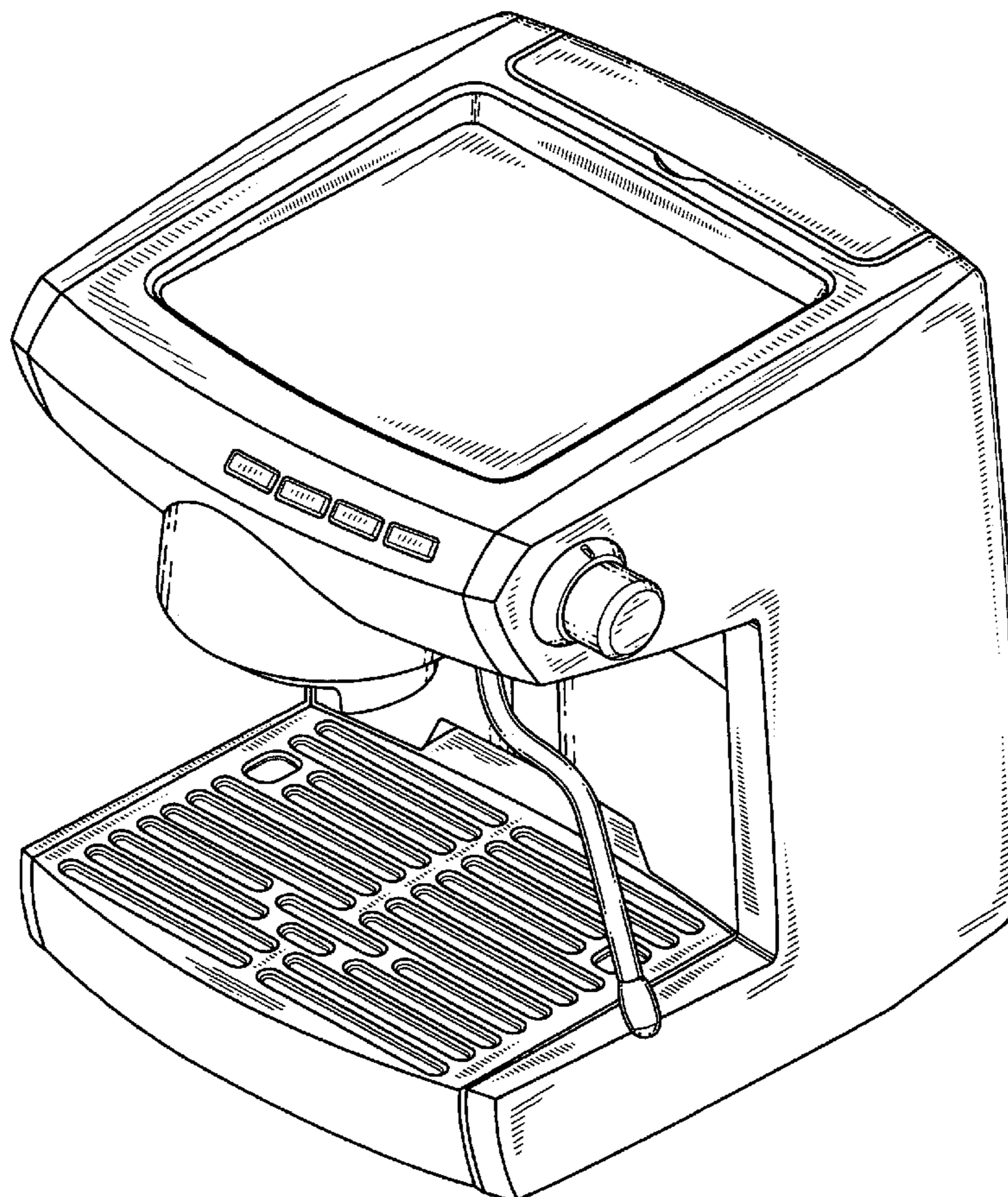
FIG. 4 is a rear view thereof;

FIG. 5 is a bottom view thereof;

FIG. 6 is a top view thereof; and,

FIG. 7 is an isometric view thereof.

1 Claim, 7 Drawing Sheets



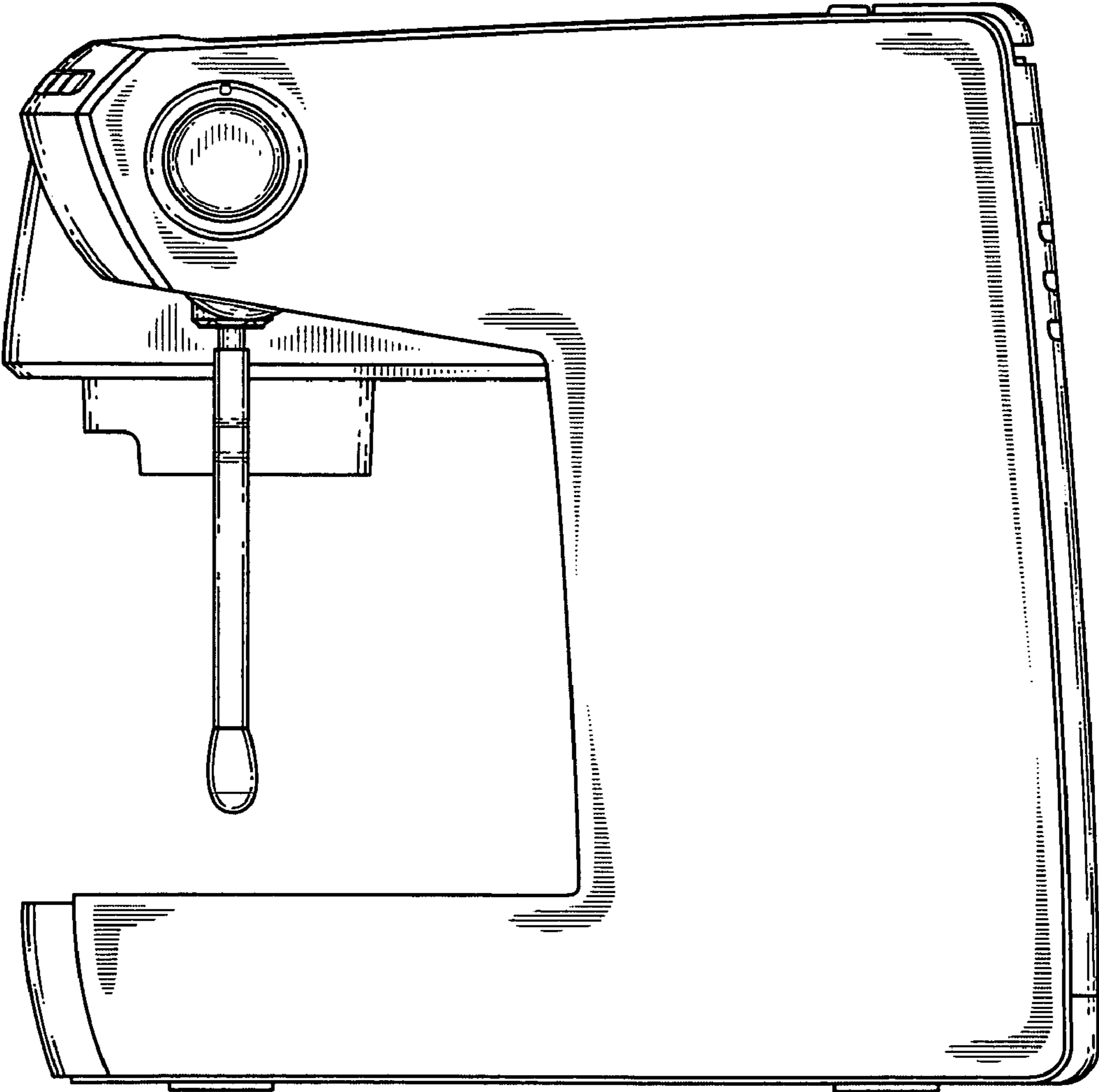


FIG. 1

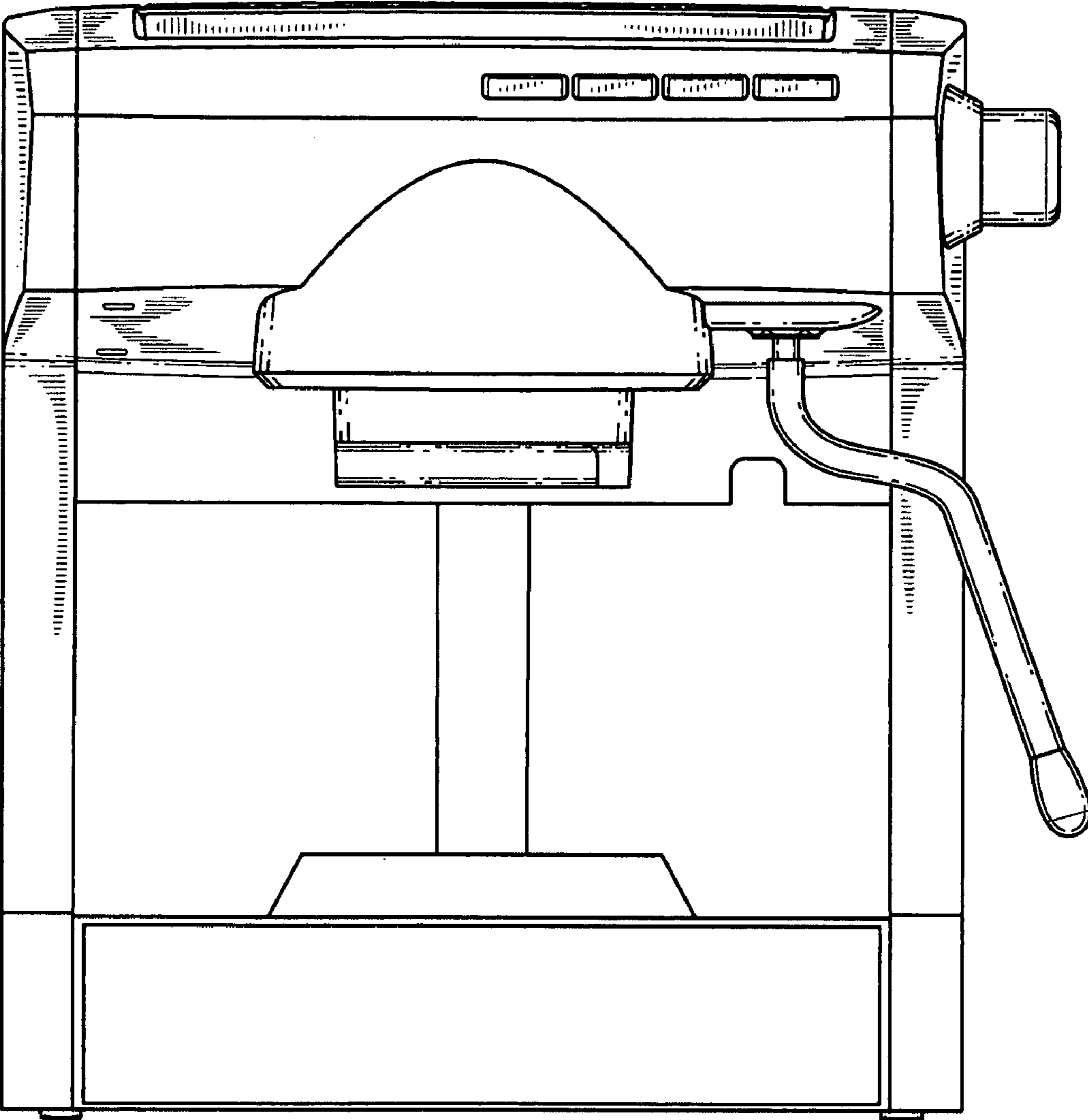


FIG. 2

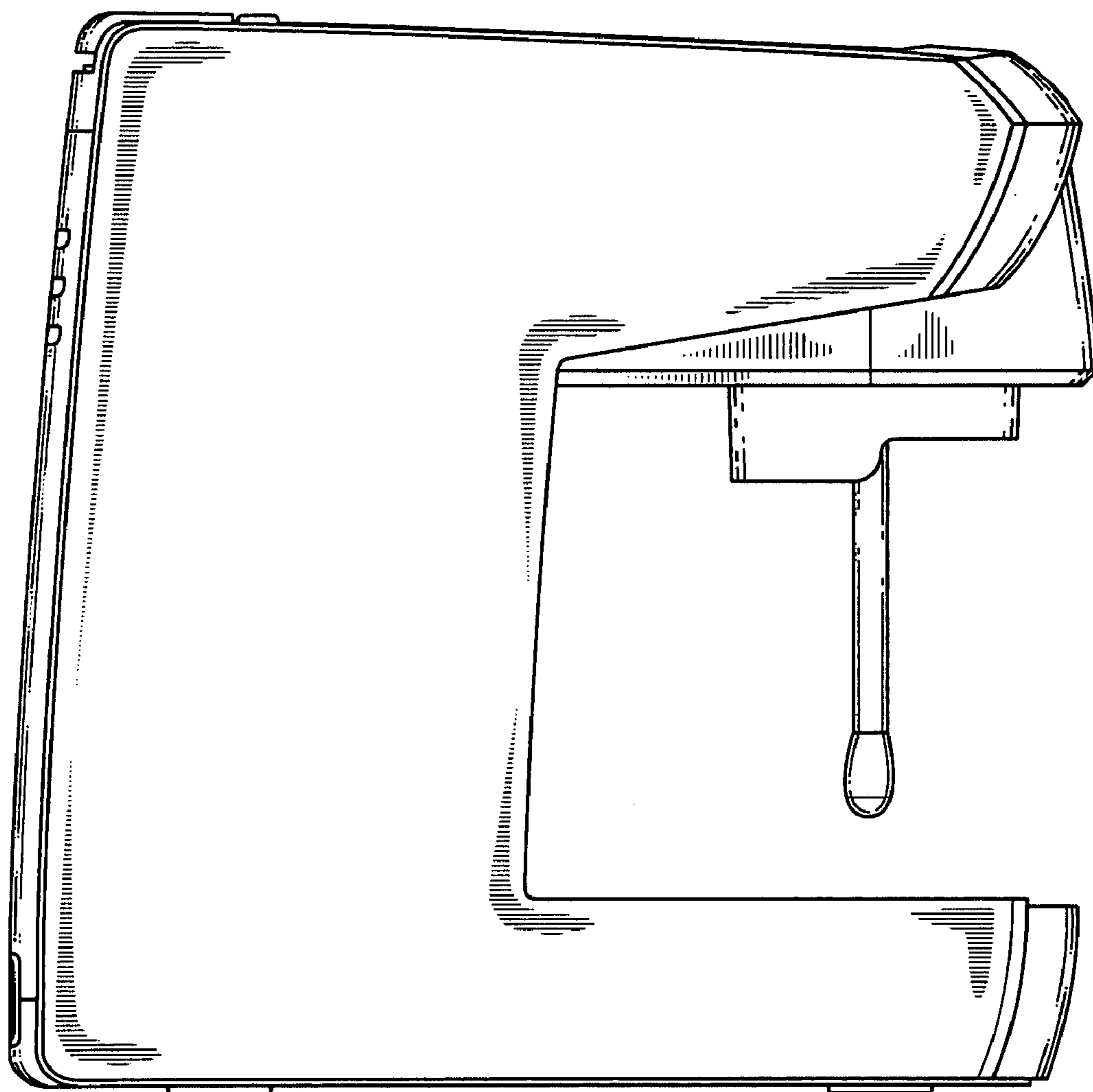


FIG. 3

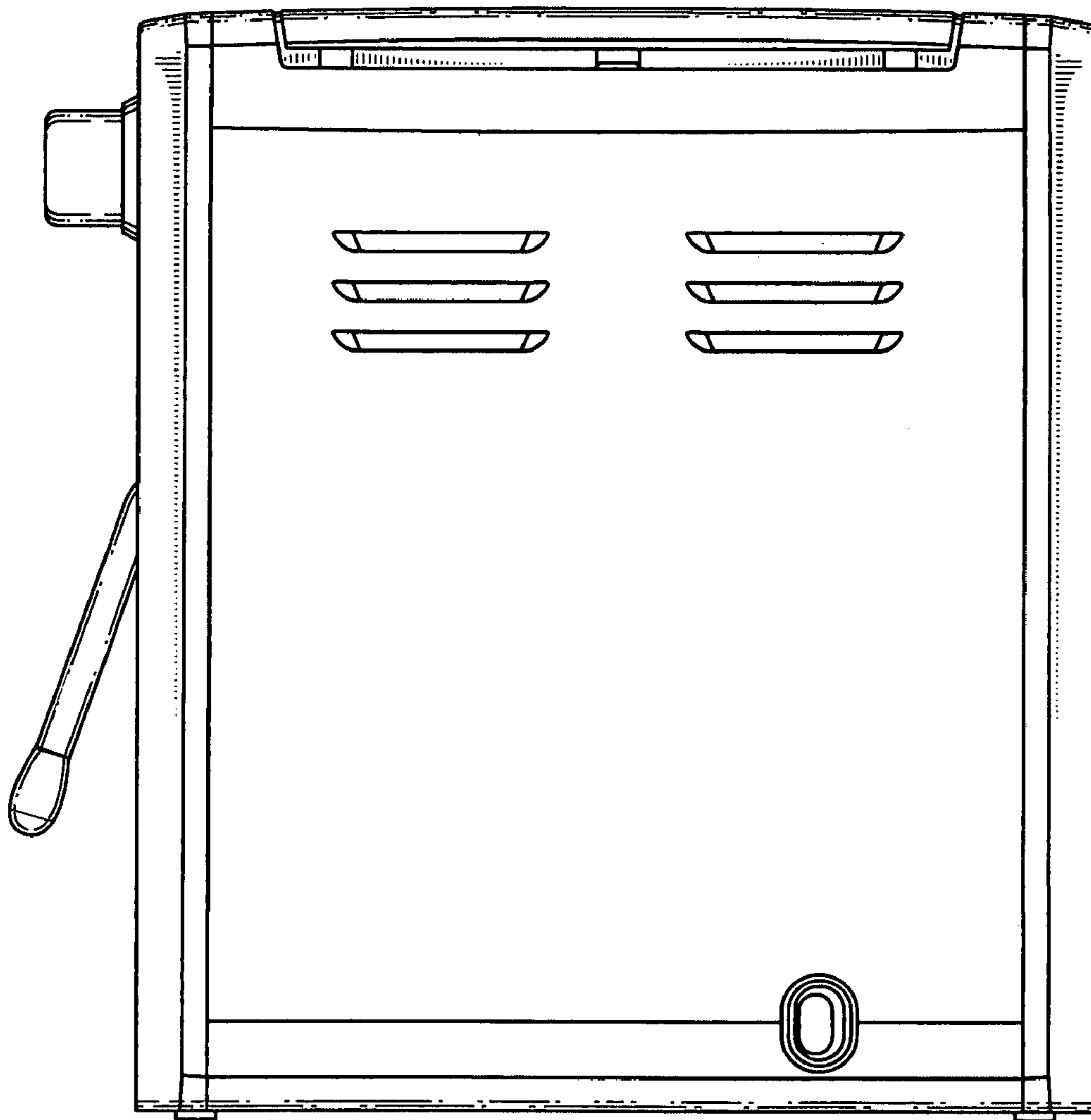


FIG. 4

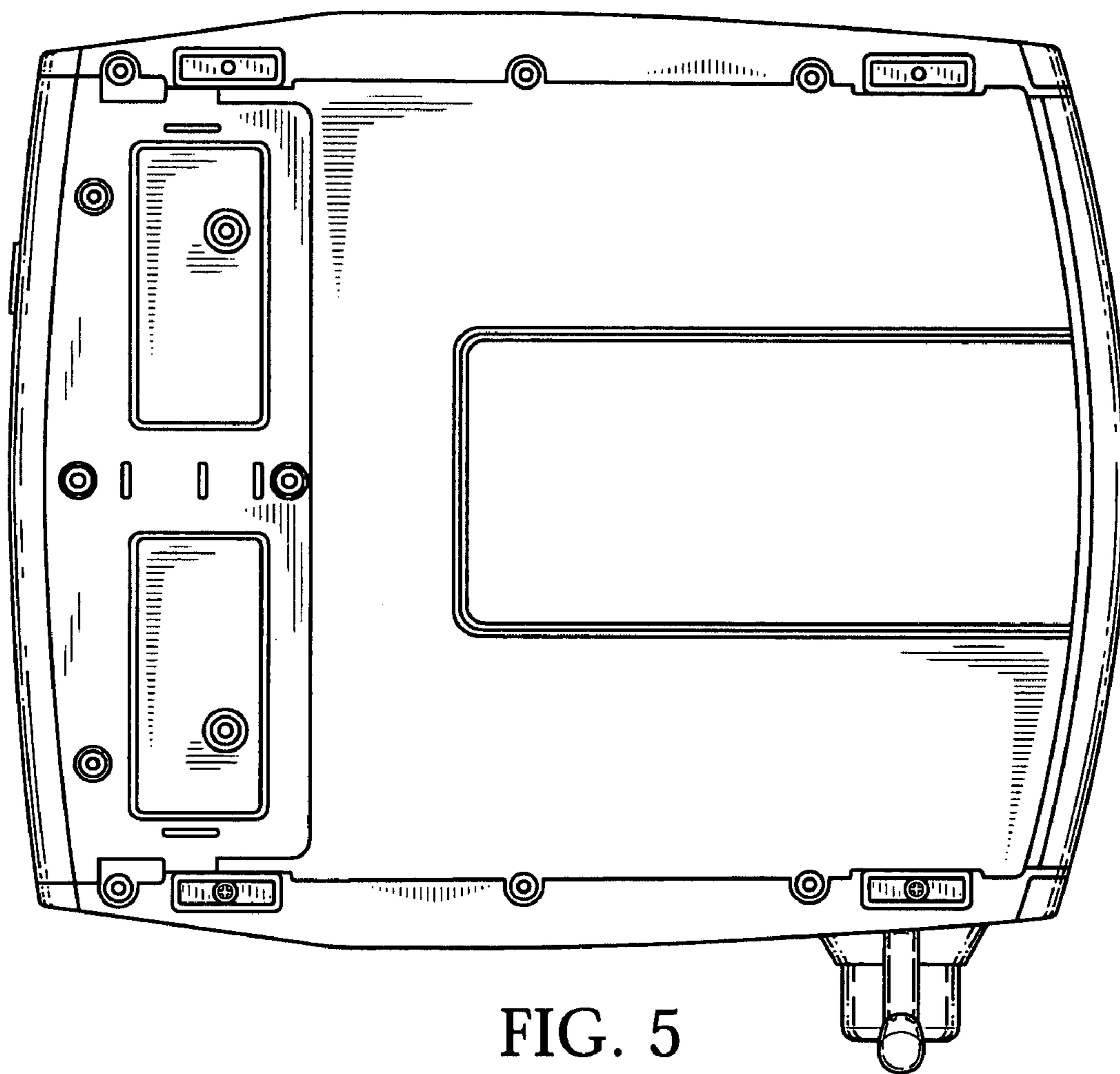


FIG. 5

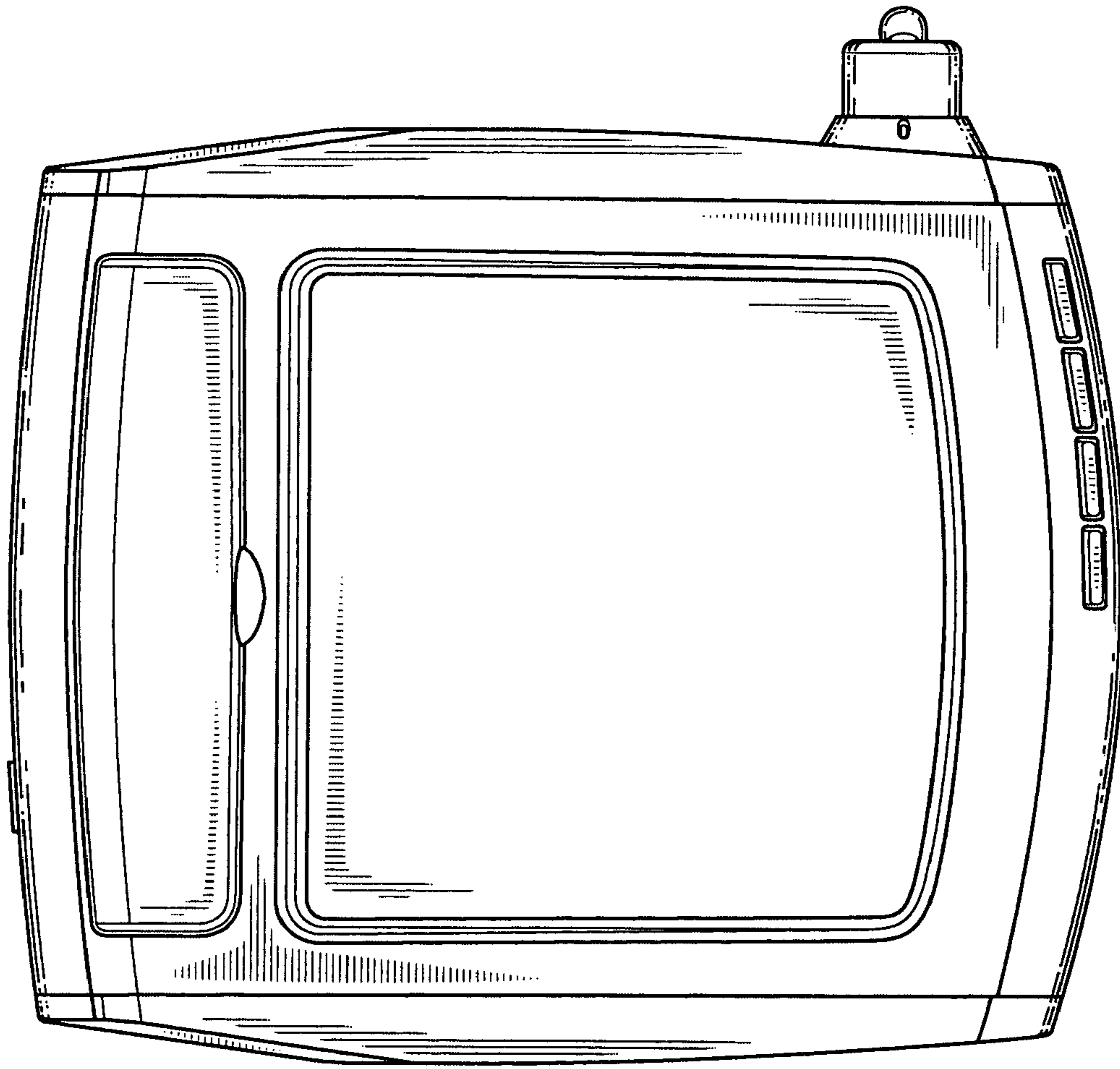


FIG. 6

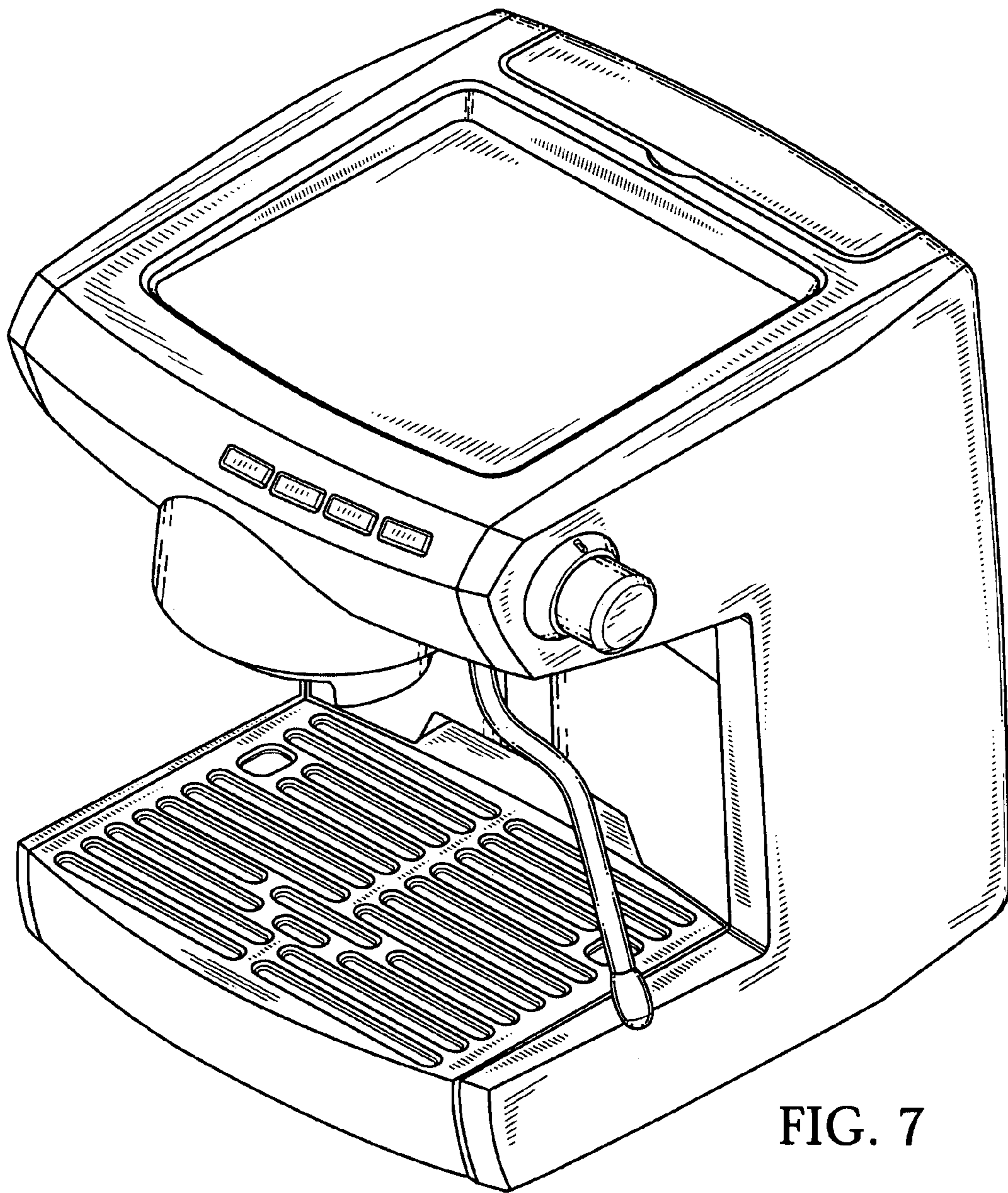


FIG. 7