



US00D590645S

(12) **United States Design Patent**
Weststrate

(10) **Patent No.:** **US D590,645 S**

(45) **Date of Patent:** **** Apr. 21, 2009**

(54) **TOWEL HANGER**

(75) Inventor: **Maria Levina Weststrate**, The Hague (NL)

(73) Assignee: **Brabantia Nederland B.V.**, Waalre (NL)

(**) Term: **14 Years**

(21) Appl. No.: **29/298,820**

(22) Filed: **Dec. 13, 2007**

(30) **Foreign Application Priority Data**

Jun. 15, 2007 (EM) 000740345

(51) **LOC (9) Cl.** **06-04**

(52) **U.S. Cl.** **D6/548**

(58) **Field of Classification Search** D6/546-550;
248/205.1, 213.1; 211/16, 85.29, 86.01,
211/87.01, 88.04, 106, 119.004, 181.1, 182
See application file for complete search history.

(56) **References Cited**

U.S. PATENT DOCUMENTS

D422,171 S * 4/2000 Mahlmann D6/548

D437,163 S * 2/2001 Fiegl et al. D6/548
D450,510 S * 11/2001 Gottwald D6/548
D455,591 S * 4/2002 Zetsche D6/548
D462,219 S * 9/2002 Lowe D6/548
D571,592 S * 6/2008 Bickler et al. D6/548

* cited by examiner

Primary Examiner—Brian N Vinson

(74) *Attorney, Agent, or Firm*—Abelman, Frayne & Schwab

(57) **CLAIM**

The ornamental design for a towel hanger, as shown and described.

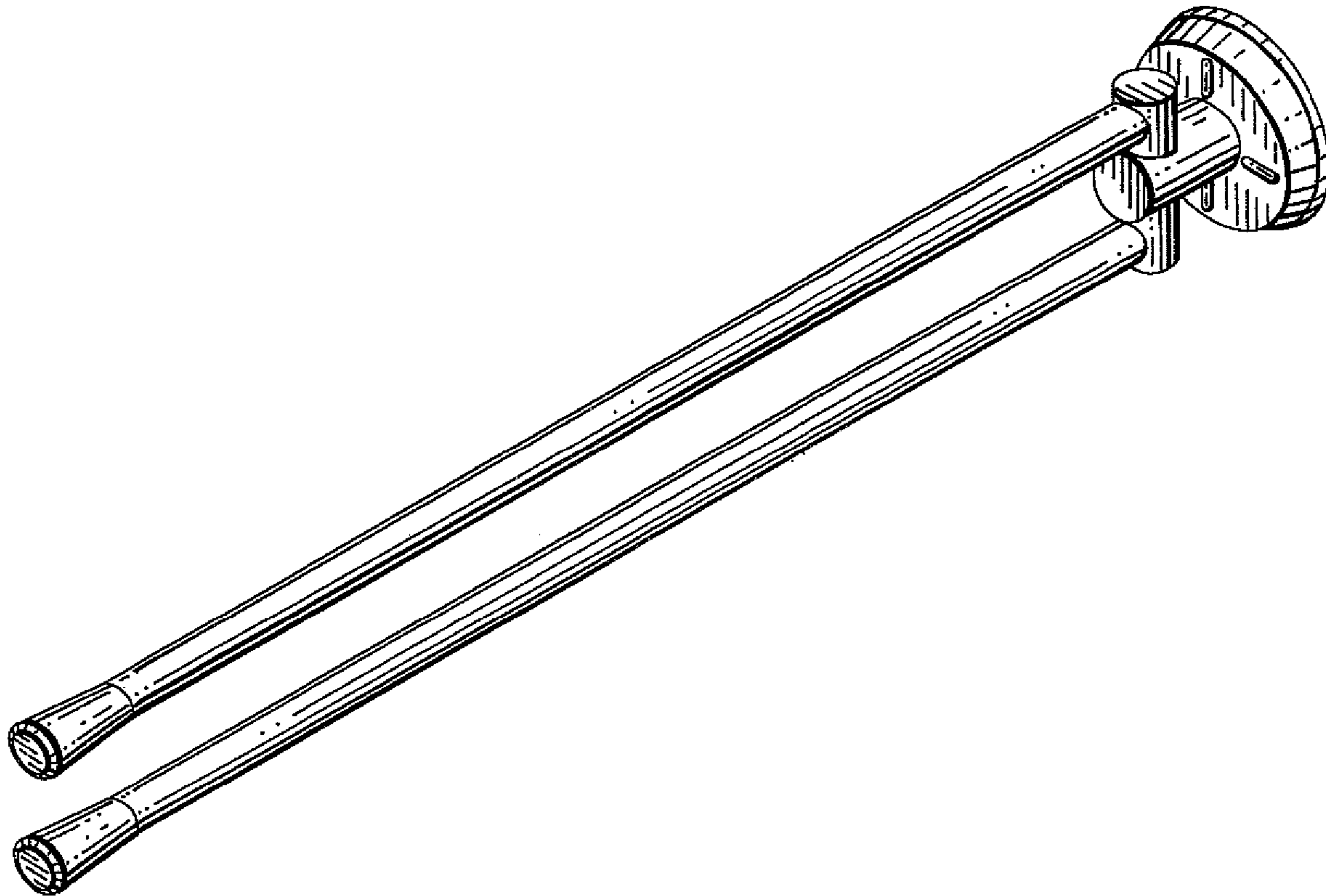
DESCRIPTION

FIG. 1 is a top front right side perspective view of a towel hanger showing my new design.

FIG. 2 is a right side elevational view of the towel hanger, with the left side being a mirror image thereof; and,

FIG. 3 is a front elevational view of the towel hanger.

1 Claim, 1 Drawing Sheet



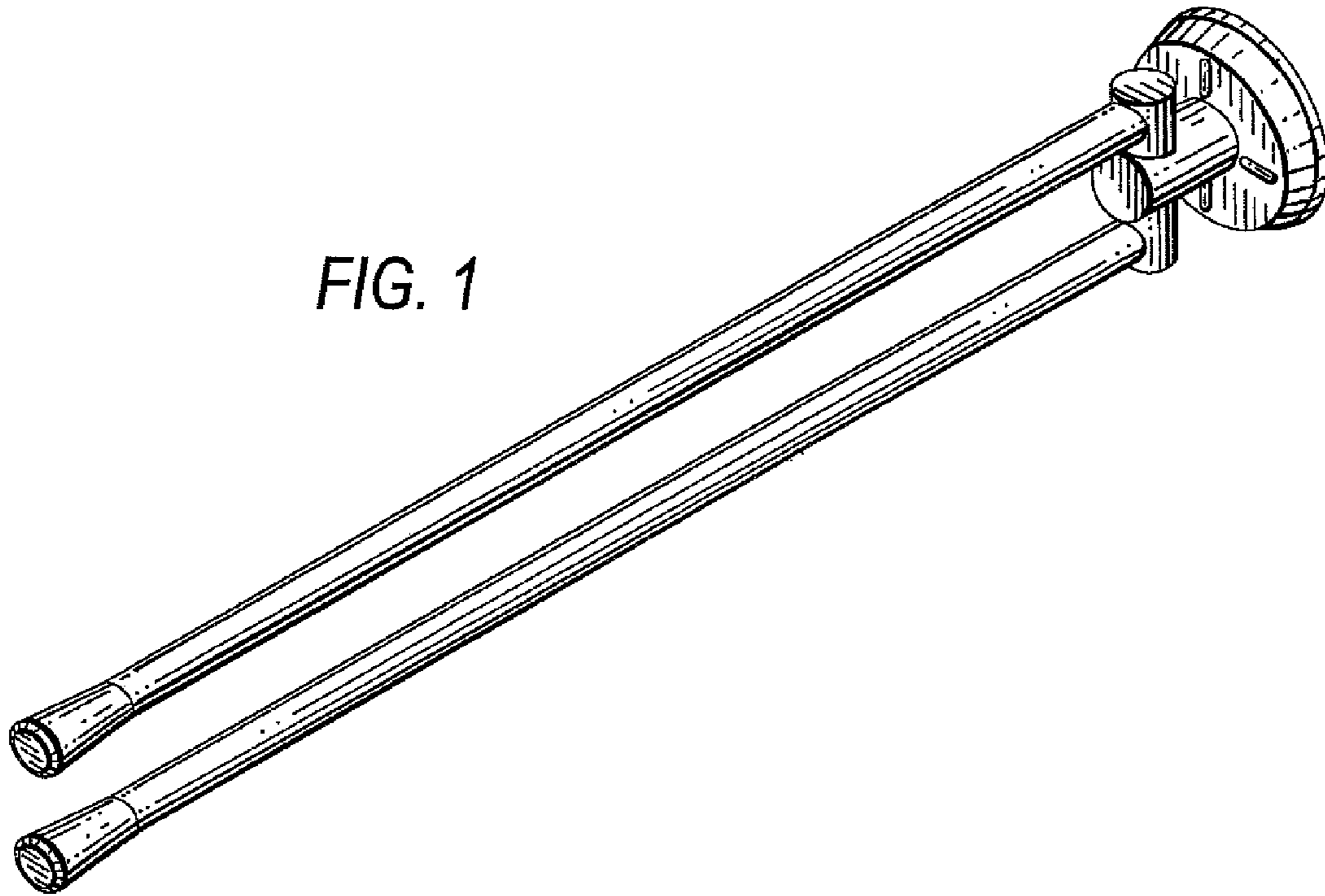


FIG. 1

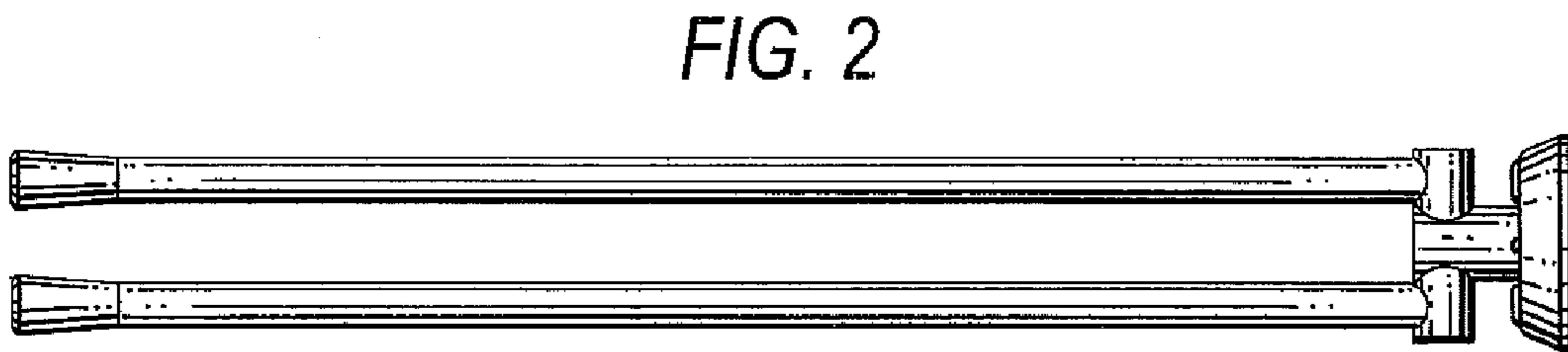


FIG. 2

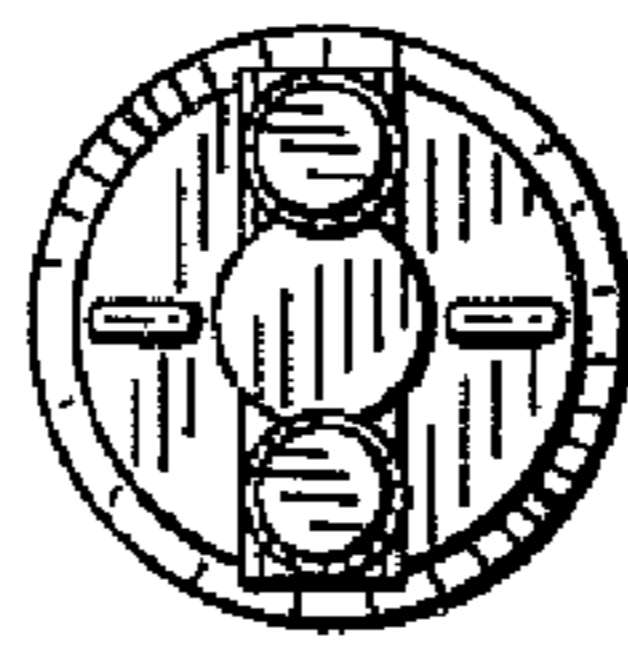


FIG. 3