

US00D590644S

(12) **United States Design Patent**
Derocher et al.

(10) **Patent No.:** **US D590,644 S**
(45) **Date of Patent:** **** Apr. 21, 2009**

(54) **TABLE**

(75) Inventors: **Mike Derocher**, Albany, OR (US); **Brad Allen**, Salem, OR (US); **Mark E Gorzynski**, Corvallis, OR (US); **Wilfrido Loor Canizares**, Brooklyn, NY (US); **Mark Prommel**, New York, NY (US)

(73) Assignee: **Hewlett-Packard Development Company, L.P.**, Houston, TX (US)

(**) Term: **14 Years**

(21) Appl. No.: **29/305,291**

(22) Filed: **Mar. 17, 2008**

(51) **LOC (9) Cl.** **06-06**

(52) **U.S. Cl.** **D6/511**

(58) **Field of Classification Search** D6/480-489, D6/495-499, 429-431, 511; 108/150, 153.1, 108/156, 157.1, 161; 248/188, 188.1, 188.8
See application file for complete search history.

(56) **References Cited**

U.S. PATENT DOCUMENTS

D392,132 S *	3/1998	Barlow-Lawson	D6/511
D440,798 S *	4/2001	Kuhlman et al.	D6/511
D442,395 S *	5/2001	McClintock et al.	D6/480
D501,741 S *	2/2005	Risdall	D6/480
D523,663 S *	6/2006	Risdall	D6/480

* cited by examiner

Primary Examiner—Janice E Seeger

(57) **CLAIM**

The ornamental design for a table, as shown and described.

DESCRIPTION

FIG. 1 is a top front perspective view of a table, showing my new design;

FIG. 2 shows a front view of the table of FIG. 1;

FIG. 3 shows a rear view of the table of FIG. 1;

FIG. 4 shows a top view of the table of FIG. 1;

FIG. 5 shows a left side view of the table of FIG. 1, the right side being a mirror image thereof.

FIG. 6 is a top front perspective view, showing a second embodiment of our new design;

FIG. 7 shows a front view of the table of FIG. 6;

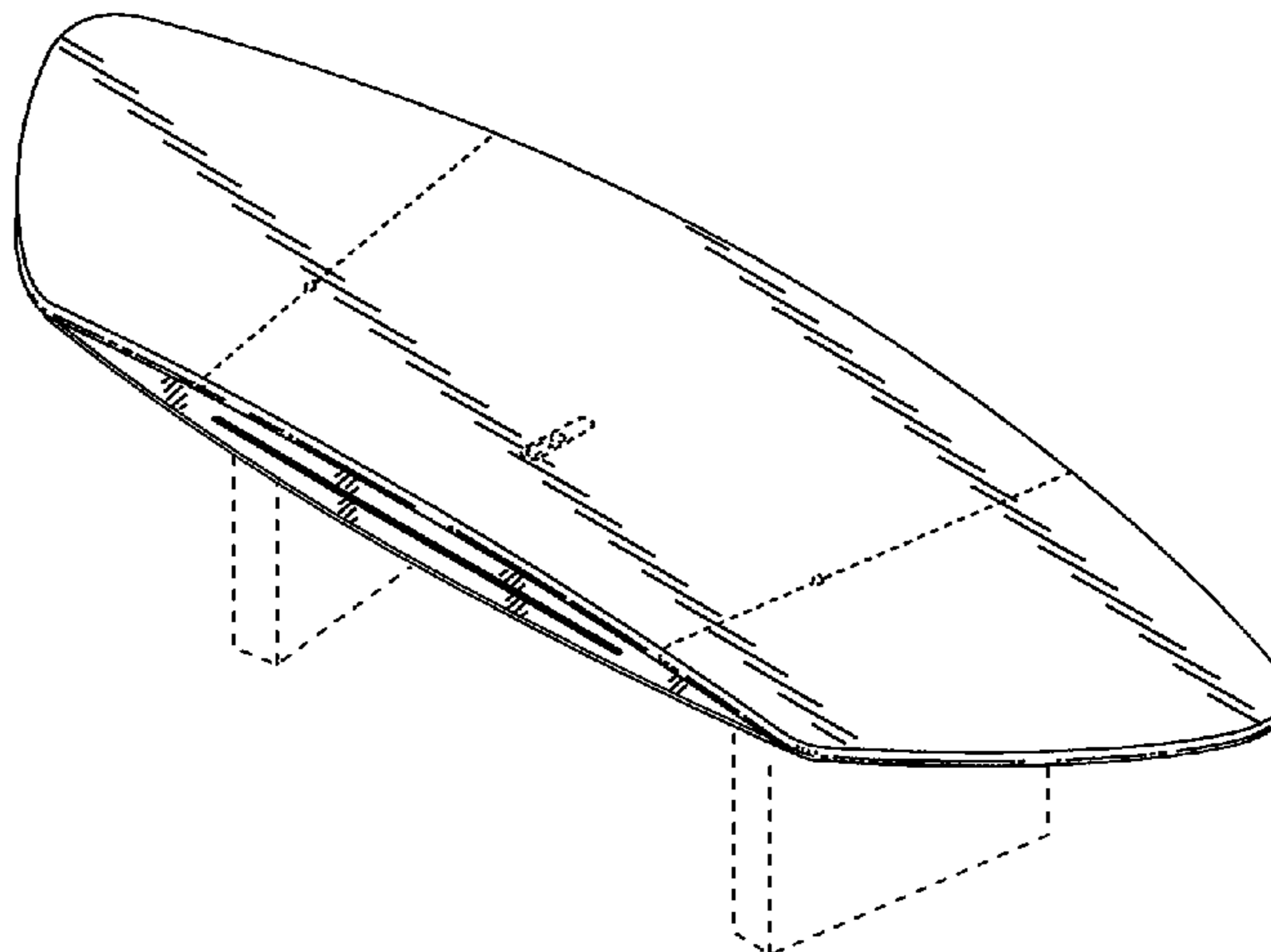
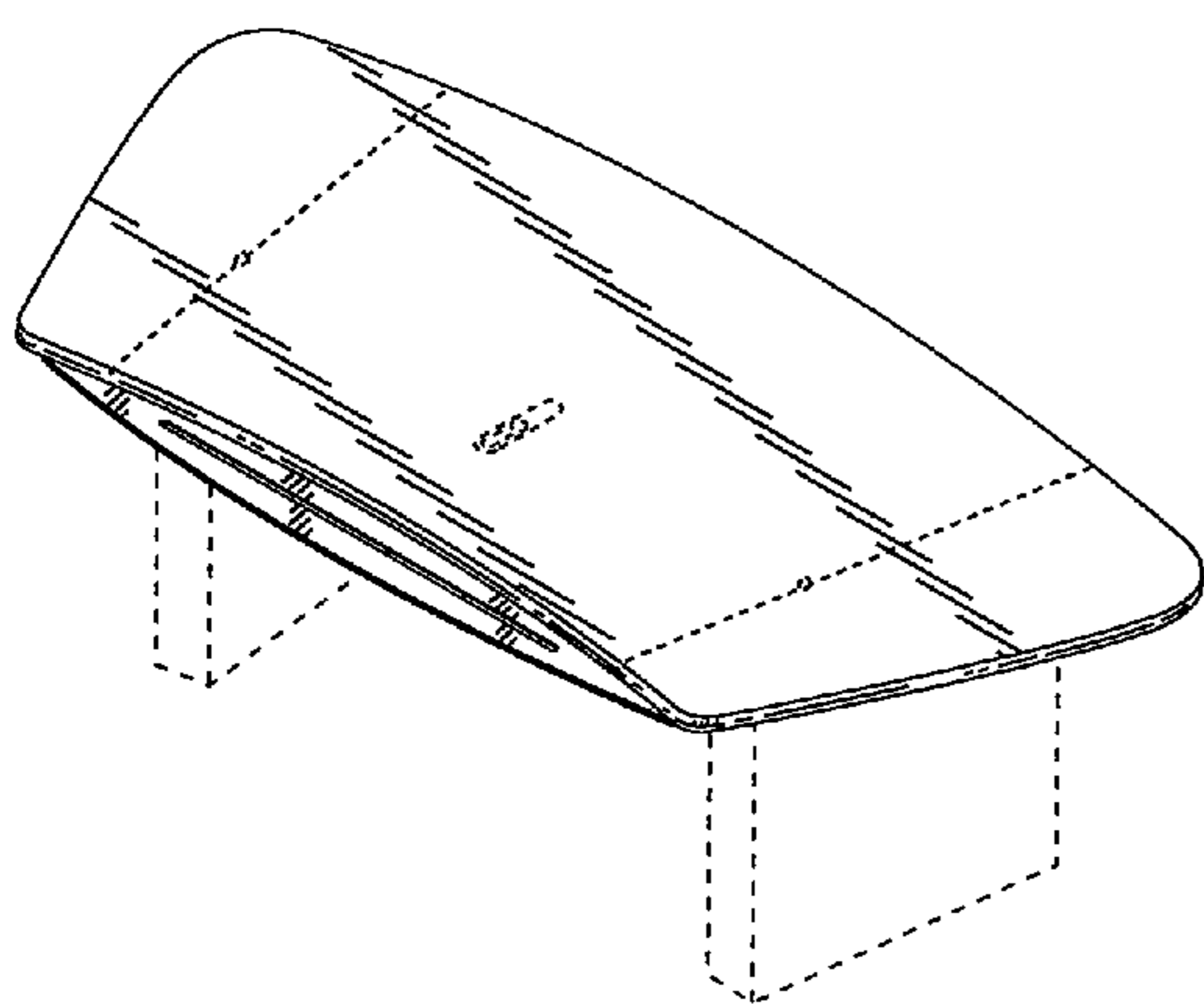
FIG. 8 shows a rear view of the table of FIG. 6;

FIG. 9 shows a top view of the table of FIG. 6; and,

FIG. 10 shows a left side view of the table of FIG. 6, the right side being a mirror image thereof.

The dashed-line showing of environment in the various figures is for illustrative purposes only and forms no part of the claimed design.

1 Claim, 10 Drawing Sheets



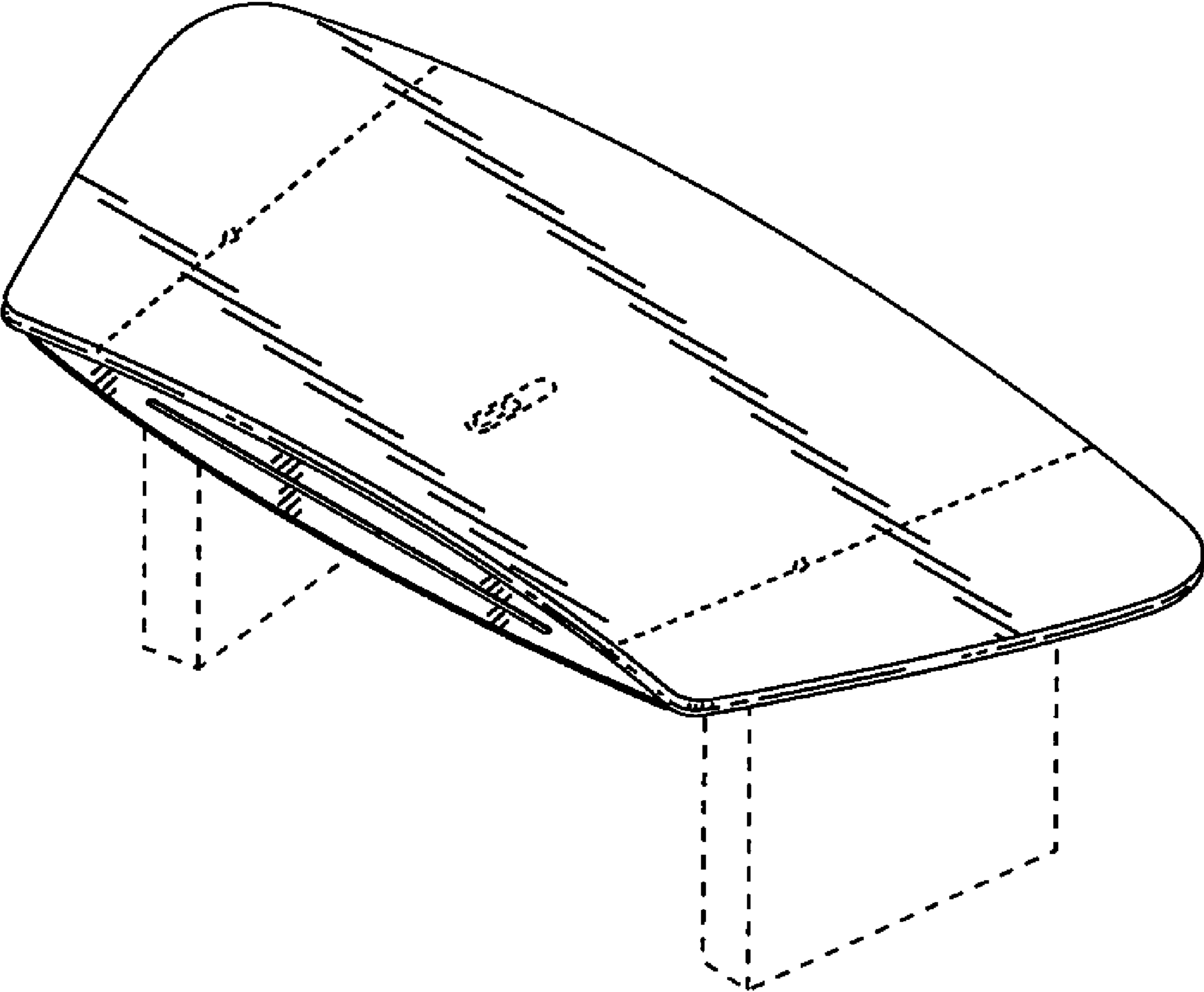


FIG. 1

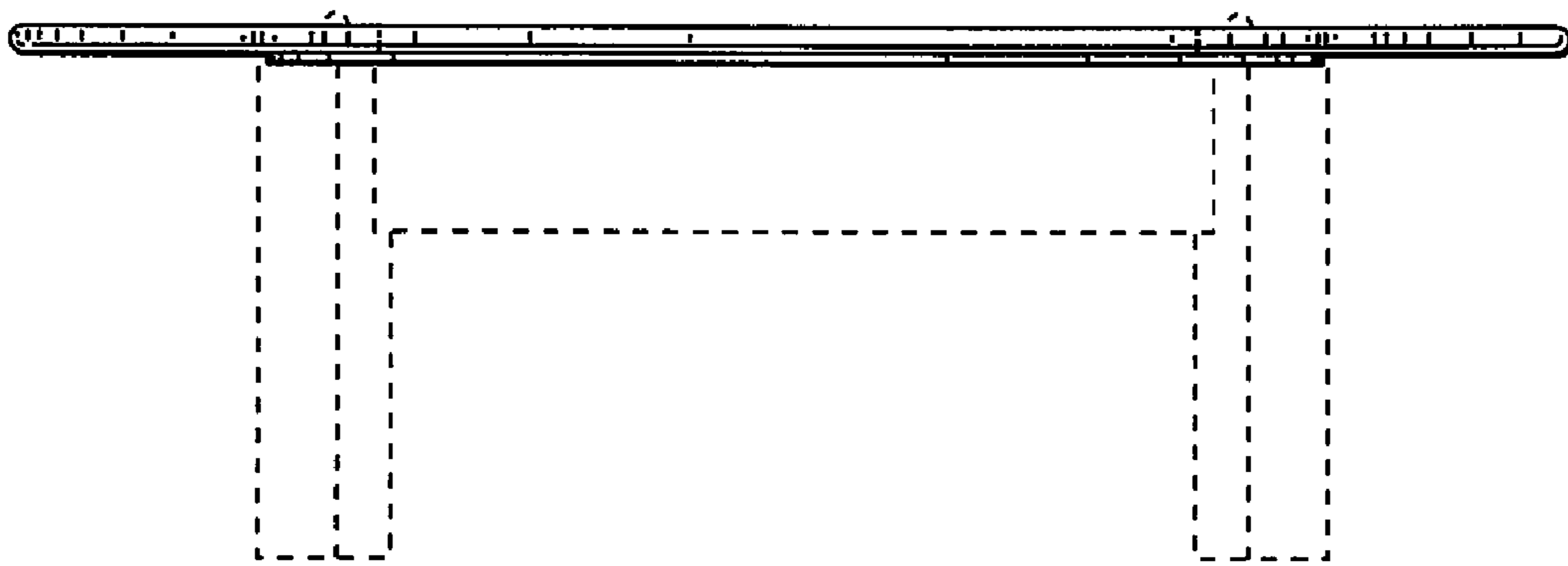


FIG. 2

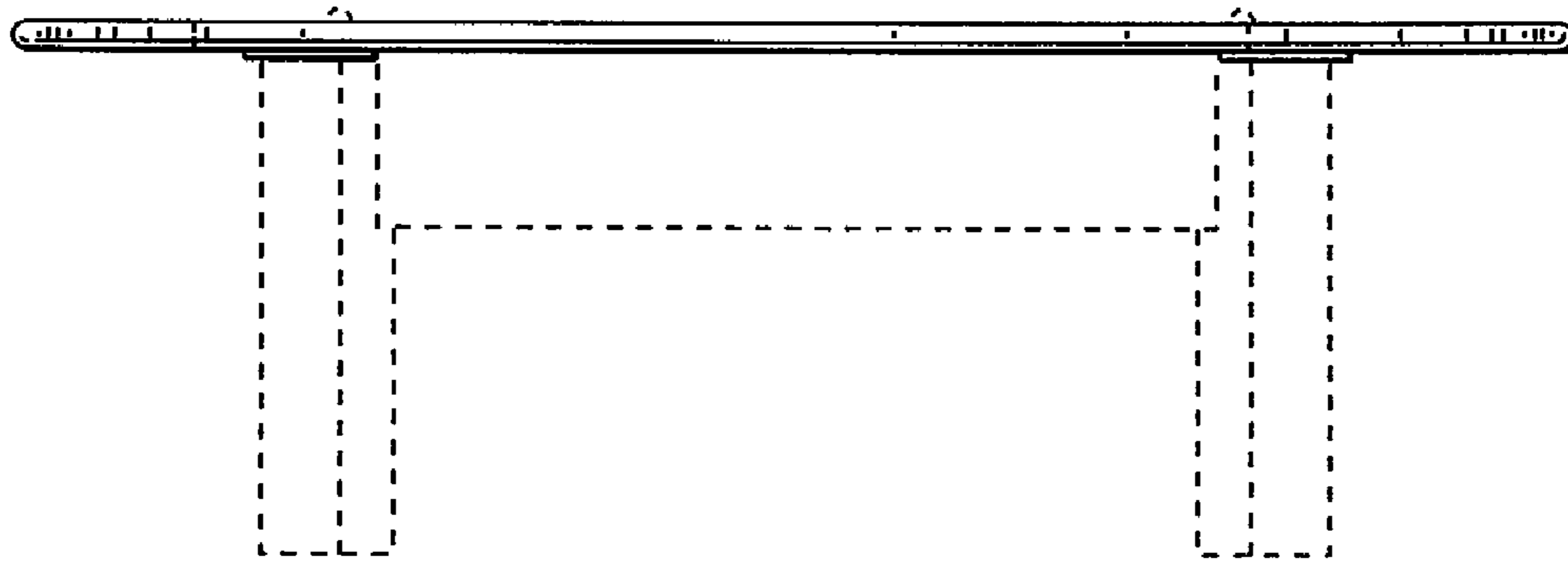


FIG. 3

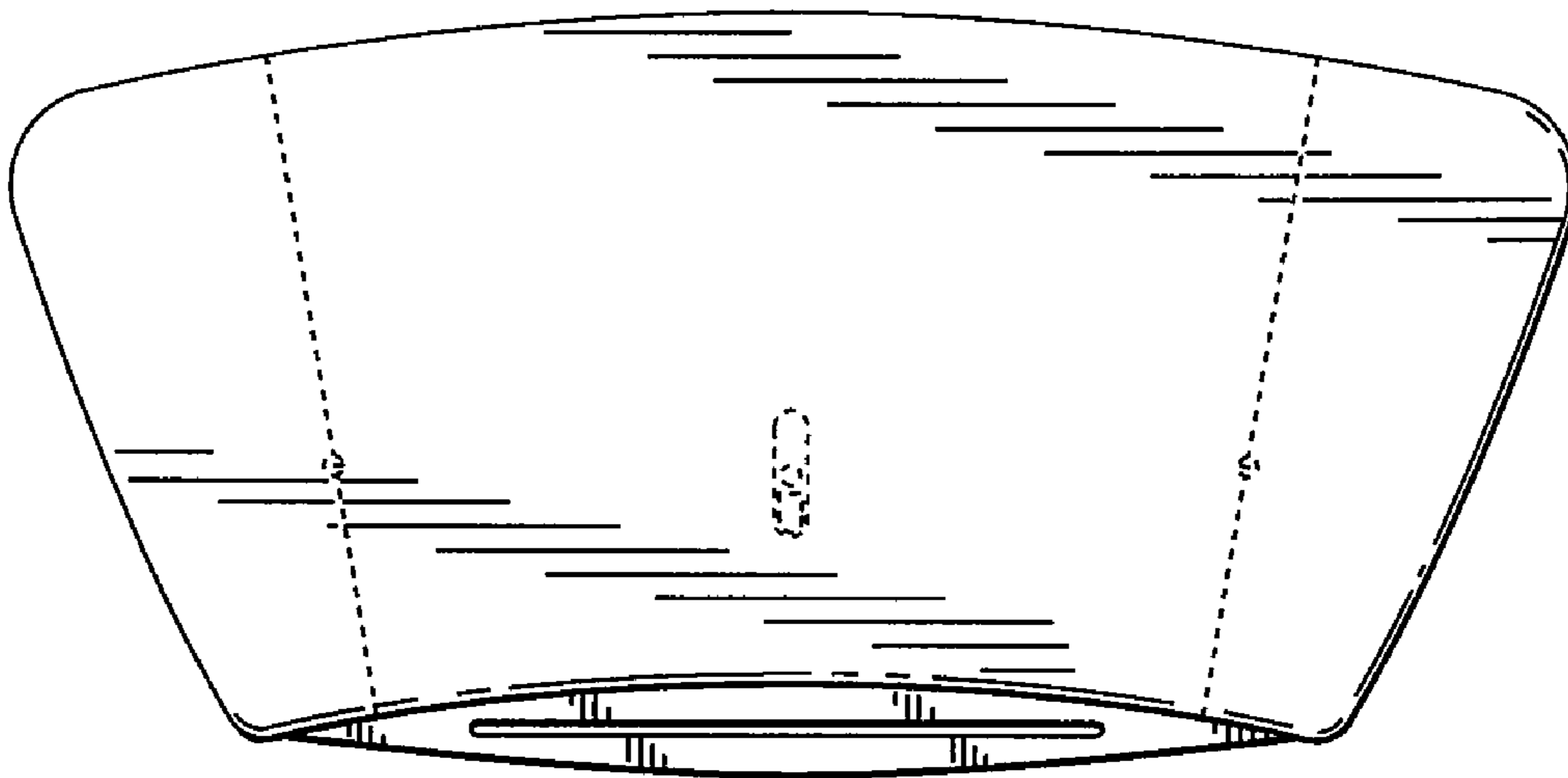


FIG. 4

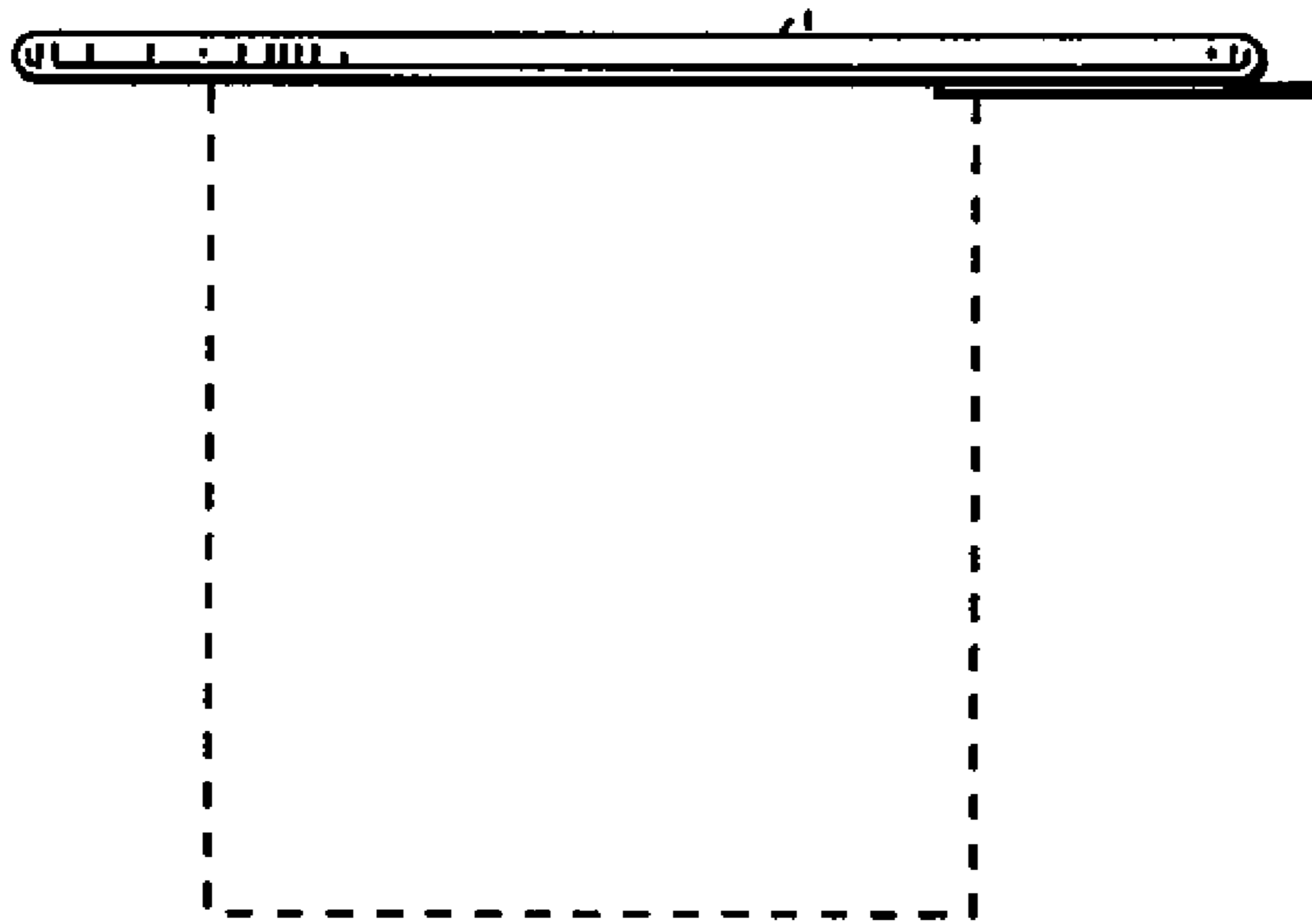


FIG. 5

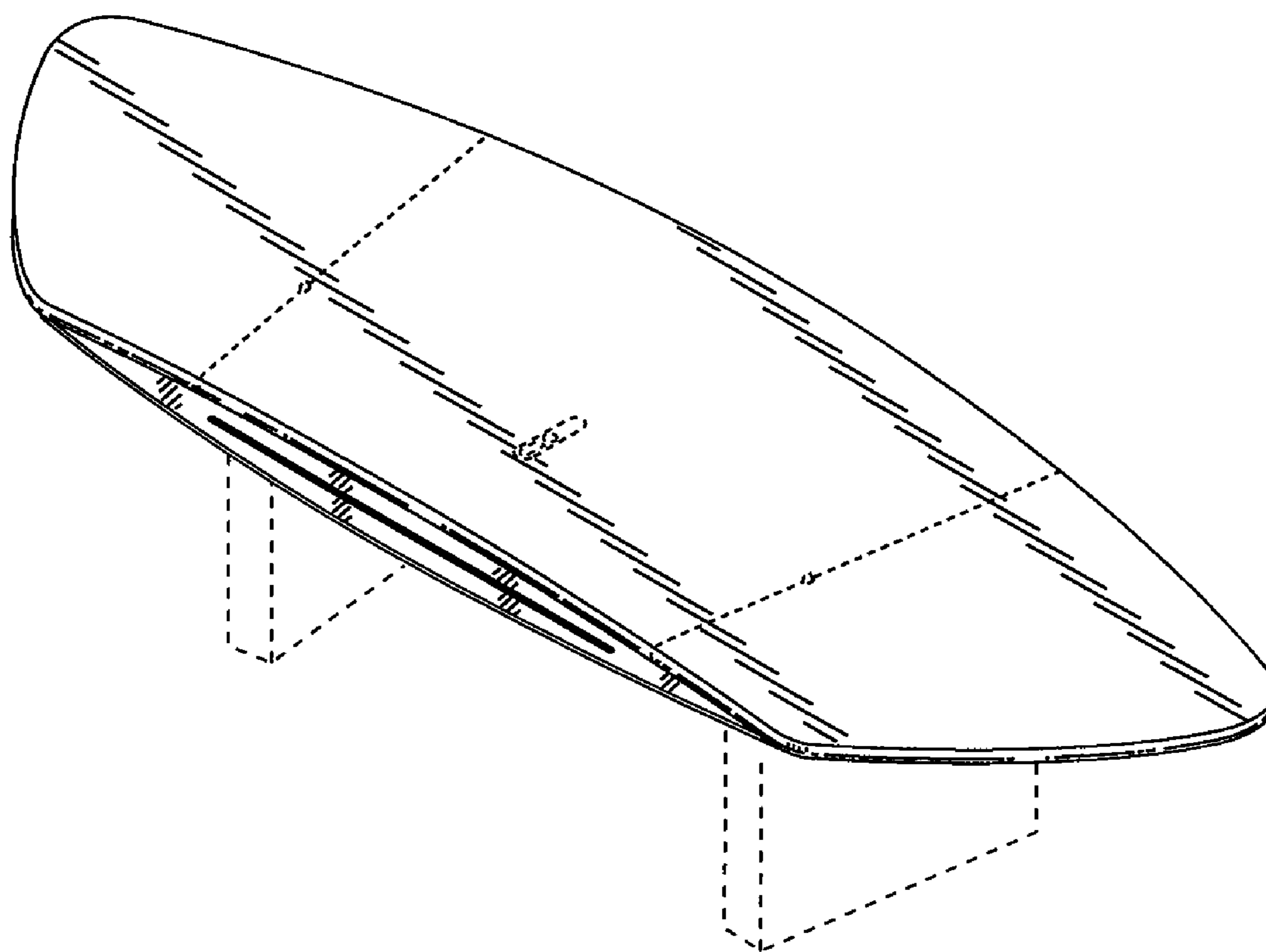


FIG. 6

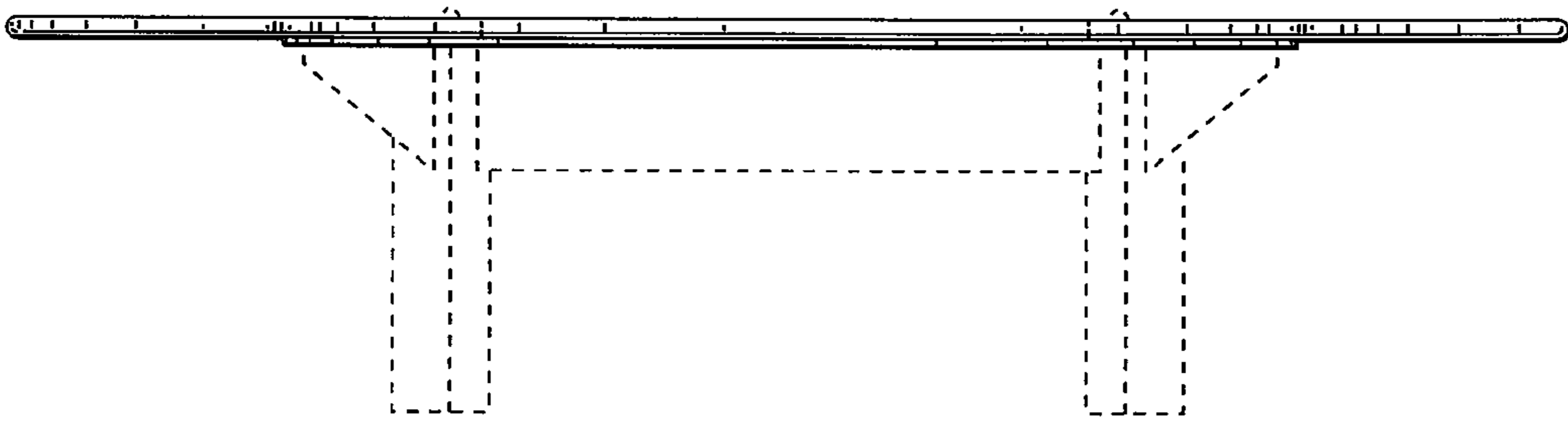


FIG. 7

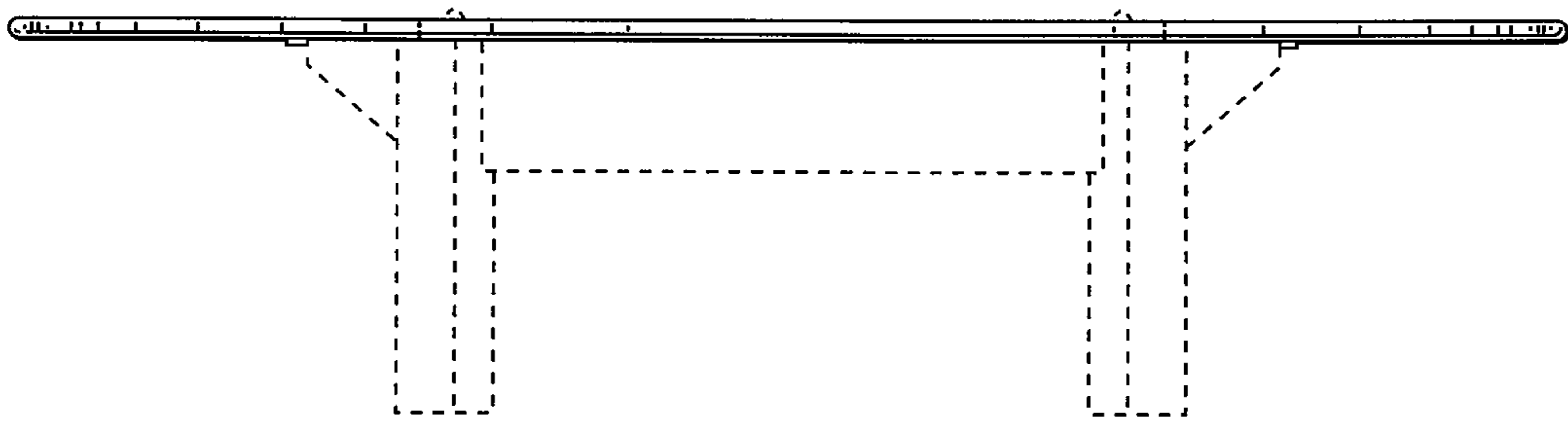


FIG. 8

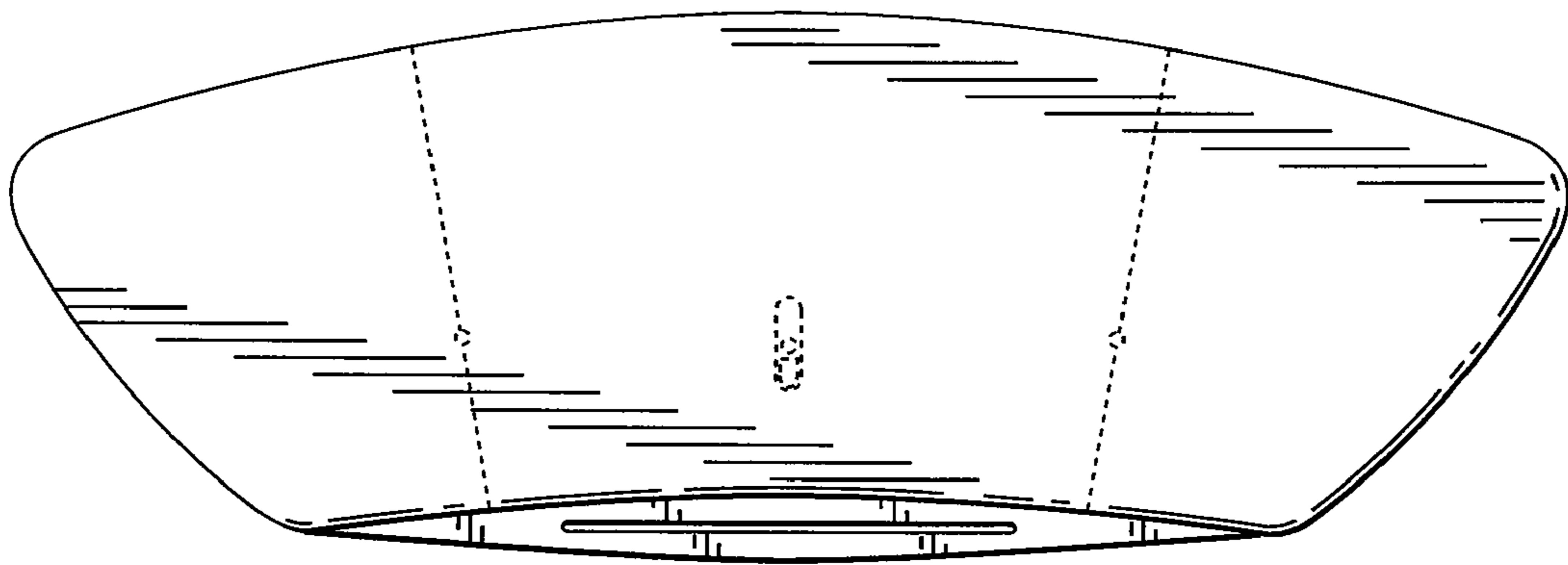


FIG. 9

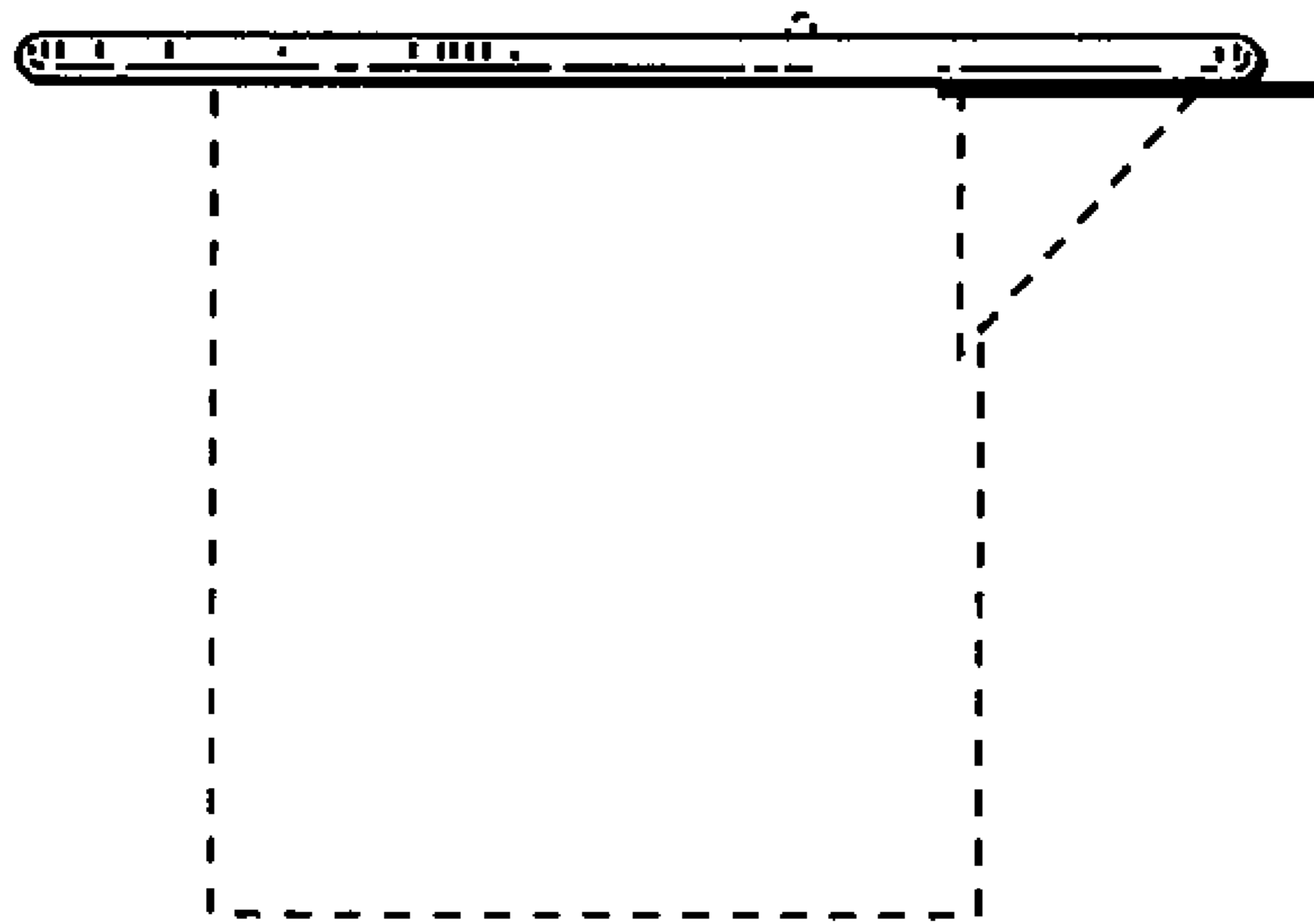


FIG. 10