



US00D590641S

(12) **United States Design Patent**
Williams

(10) **Patent No.:** **US D590,641 S**

(45) **Date of Patent:** **** Apr. 21, 2009**

(54) **TOP PANEL RETAINER**

(75) Inventor: **Eric V. Williams**, Paragould, AR (US)

(73) Assignee: **L.A. Darling Co.**, Piggott, AR (US)

(**) Term: **14 Years**

(21) Appl. No.: **29/246,565**

(22) Filed: **Apr. 24, 2006**

(51) **LOC (9) Cl.** **06-07**

(52) **U.S. Cl.** **D6/491**

(58) **Field of Classification Search** D6/491,
D6/300, 449, 396, 408, 411, 466, 492; 211/85.3,
211/94.02, 94.01, 85.7, 74, 162, 123; 24/295
See application file for complete search history.

(56) **References Cited**

U.S. PATENT DOCUMENTS

356,125	A *	1/1887	Holzhalb	211/85.3
1,132,190	A *	3/1915	Kohout	211/85.3
6,484,893	B1 *	11/2002	Tkatch	211/94.02
6,976,595	B1 *	12/2005	Geller	211/94.01
2008/0245753	A1 *	10/2008	Spriegel et al.	211/85.7

* cited by examiner

Primary Examiner—Caron Veynar

Assistant Examiner—Sydney R Buffalow

(74) *Attorney, Agent, or Firm*—DLA Piper LLP (US);
Jennifer E. Lacroix

(57) **CLAIM**

The ornamental design for a top panel retainer, as shown and described.

DESCRIPTION

FIG. 1 is a perspective view of a top panel retainer according to the invention;

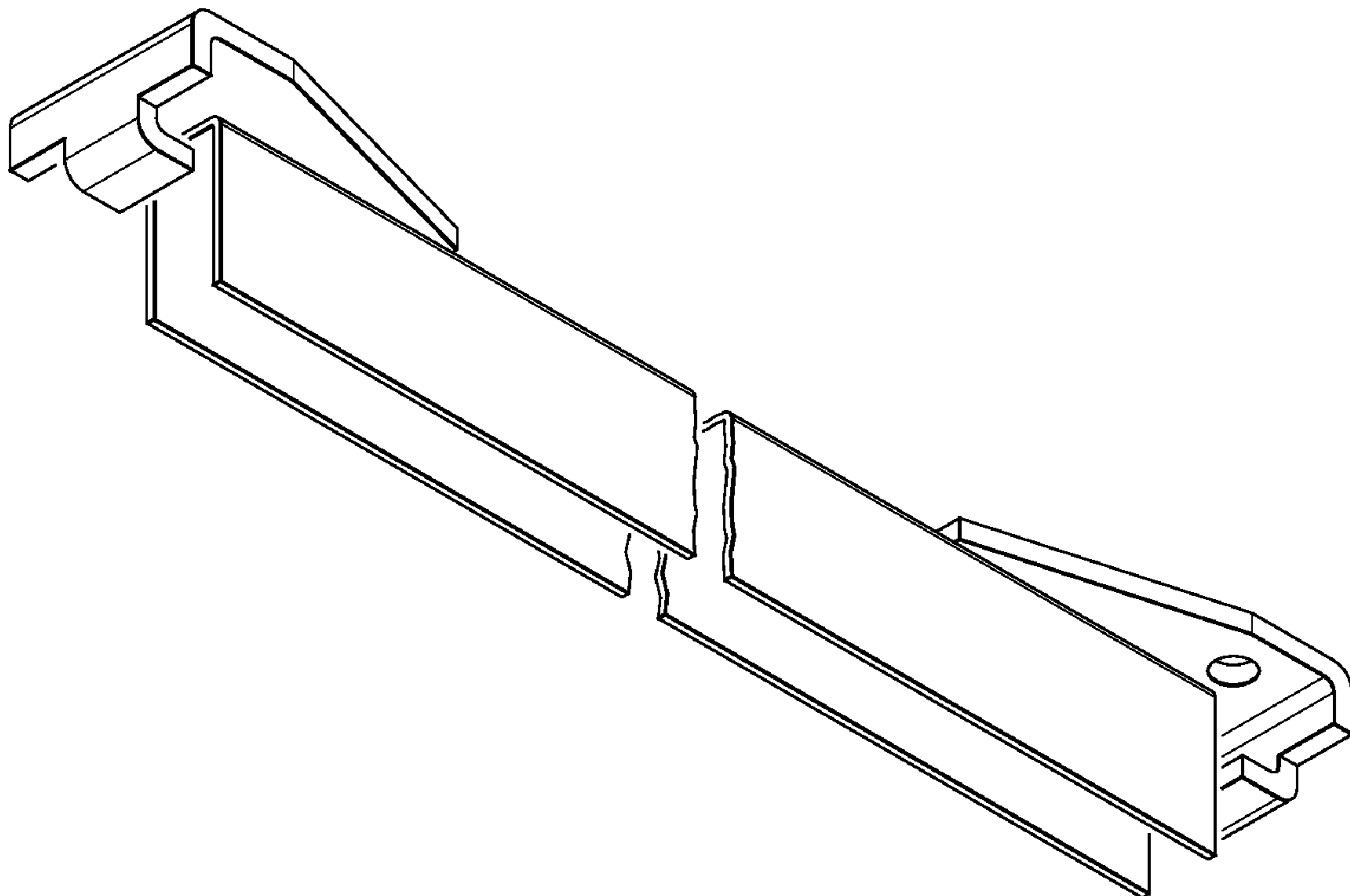
FIG. 2 is a side elevational view of a top panel retainer according to the invention; and

FIG. 3 is top perspective view of the end portion of a top panel retainer according to the invention, with the other end portion being identical thereto; and,

FIG. 4 is a bottom plan view of the end portion of a top panel retainer according to the invention, with the other end portion being identical thereto.

The article shown broken away to show indeterminate length.

1 Claim, 1 Drawing Sheet



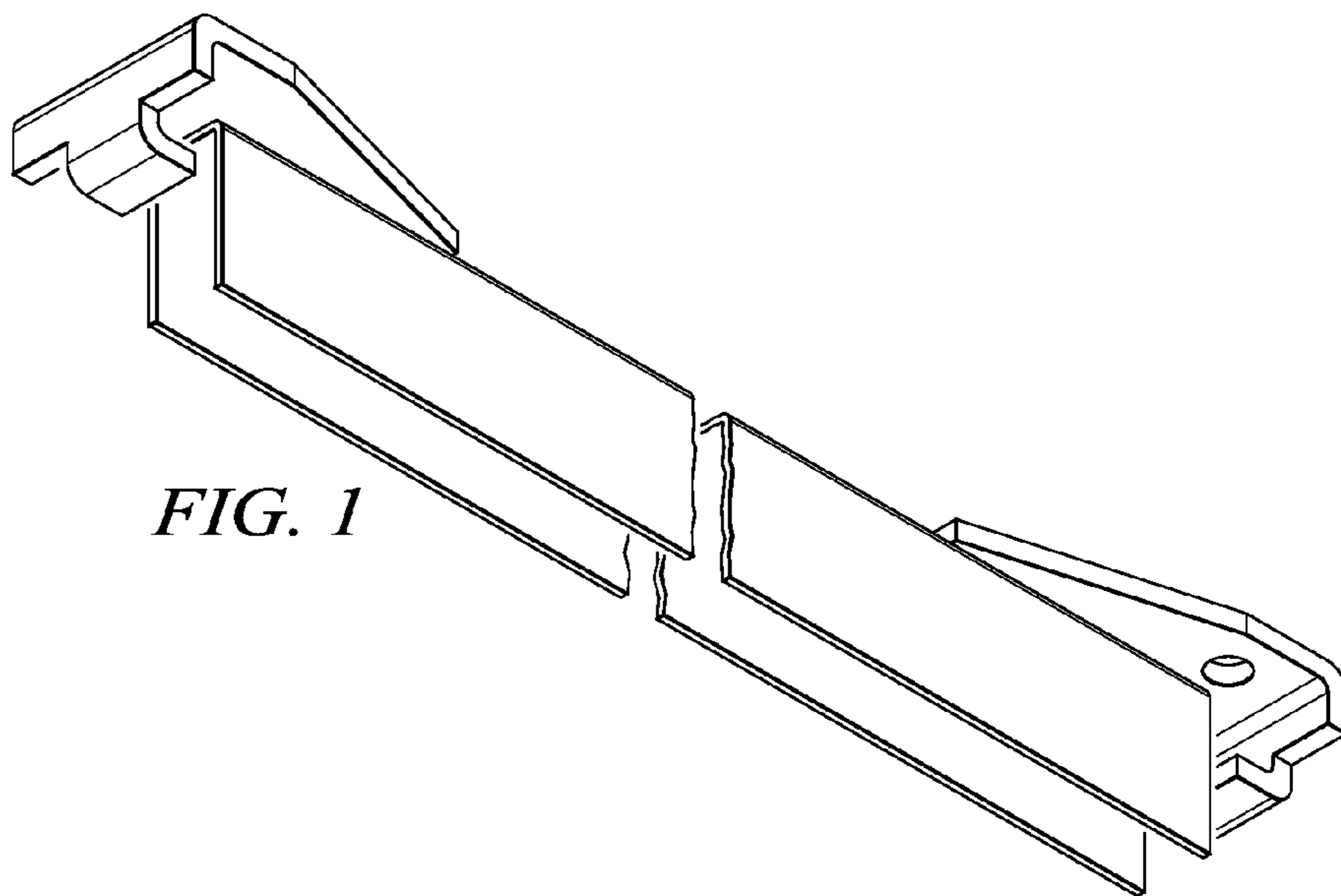


FIG. 1

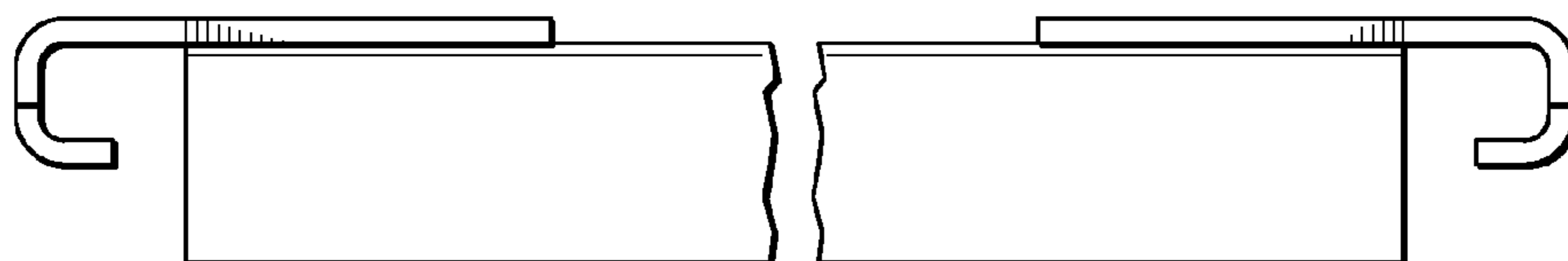


FIG. 2

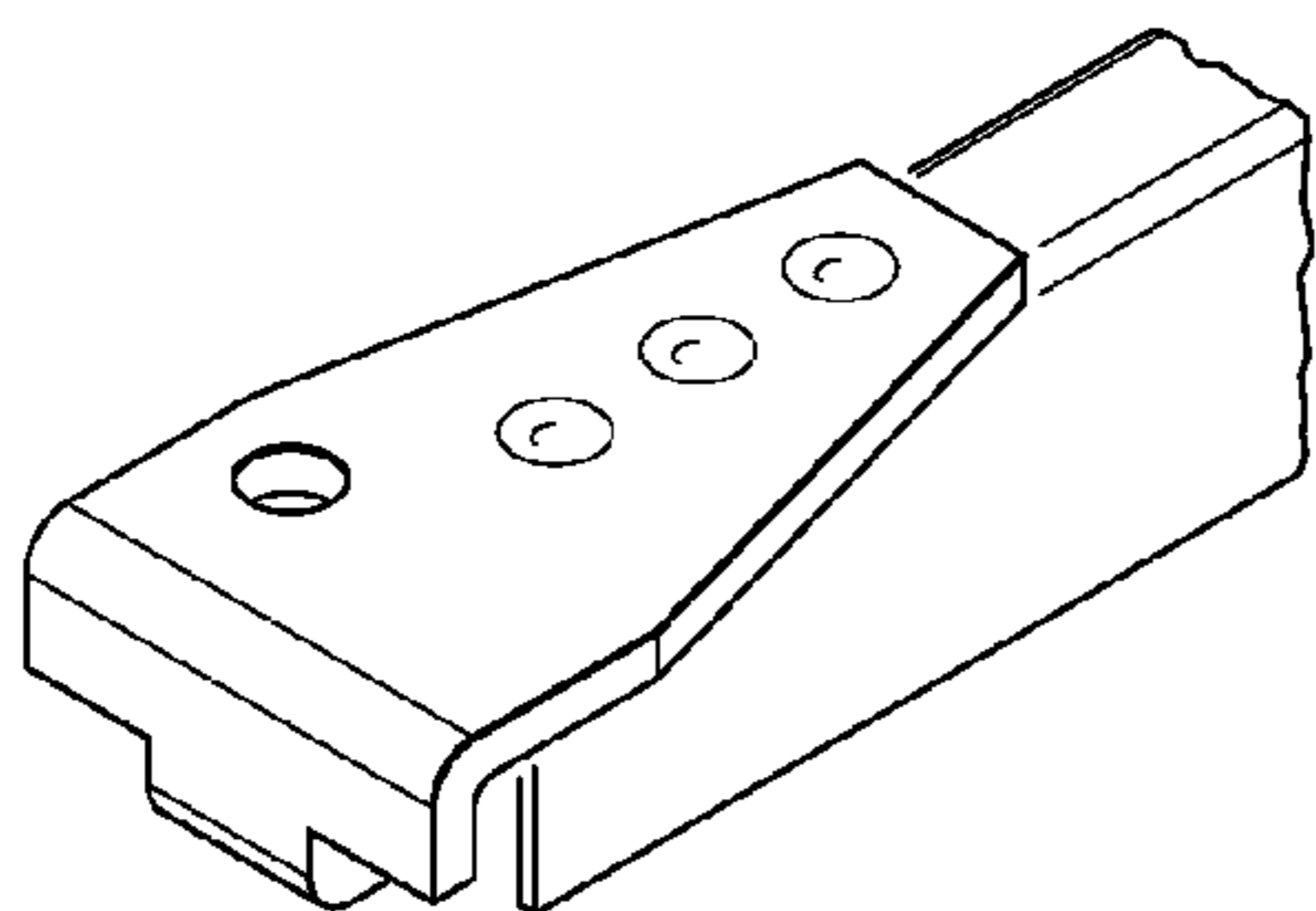


FIG. 3

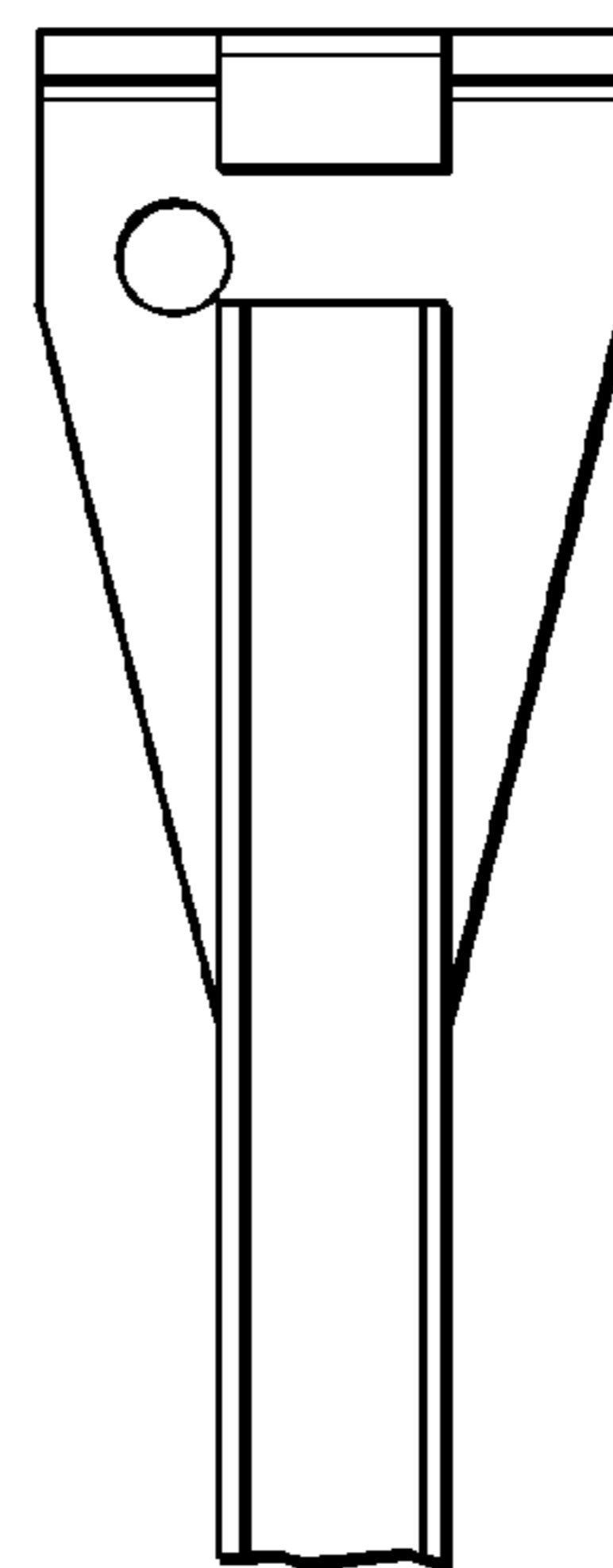


FIG. 4