



US00D590637S

(12) **United States Design Patent**
Portnoy

(10) **Patent No.:** **US D590,637 S**

(45) **Date of Patent:** **** Apr. 21, 2009**

(54) **AUDIO VIDEO SHELVING UNIT**

(75) Inventor: **Ben Portnoy**, Morton, PA (US)

(73) Assignee: **Bell'O International Corp.**,
Morganville, NJ (US)

(**) Term: **14 Years**

(21) Appl. No.: **29/310,614**

(22) Filed: **Aug. 28, 2008**

(51) **LOC (9) Cl.** **06-04**

(52) **U.S. Cl.** **D6/477**

(58) **Field of Classification Search** D6/470,
D6/471, 474, 477-479, 460-461, 468; 312/7.2,
312/9.1; 108/59, 91, 92, 96; 211/40, 41.12,
211/42, 49.1, 50, 85.2, 90.04, 187, 190
See application file for complete search history.

(56) **References Cited**

U.S. PATENT DOCUMENTS

D433,846 S *	11/2000	Chang	D6/474
D454,731 S	3/2002	Niitsu et al.		
D458,053 S	6/2002	Luong		
D472,073 S	3/2003	de Carolis		
D472,074 S	3/2003	de Carolis		
D472,075 S	3/2003	de Carolis		
D476,508 S *	7/2003	Chang	D6/474
D489,548 S	5/2004	Malizia et al.		
D491,748 S	6/2004	de Carolis		
D491,749 S	6/2004	Malizia et al.		
D491,750 S	6/2004	Bertoncini et al.		
D491,753 S	6/2004	de Carolis		
D492,860 S	7/2004	Bertoncini et al.		
D493,982 S	8/2004	de Carolis		
D496,807 S	10/2004	de Carolis		
D497,060 S	10/2004	Chang et al.		
D497,061 S	10/2004	Decarolis		

D505,572 S *	5/2005	Chang	D6/474
D505,573 S	5/2005	Malizia		
D506,329 S	6/2005	Sexton		
D507,128 S *	7/2005	Choo	D6/477

(Continued)

Primary Examiner—Elizabeth A Albert

Assistant Examiner—Kelley A Donnelly

(74) *Attorney, Agent, or Firm*—Lerner, David, Littenberg,
Krumholz & Mentlik, LLP

(57) **CLAIM**

The ornamental design for audio video shelving unit, as shown and described.

DESCRIPTION

FIG. 1 is a front perspective view of a first embodiment of the audio video shelving unit;

FIG. 2 is a front elevational view thereof;

FIG. 3 is a rear elevational view thereof;

FIG. 4 is a top plan view thereof;

FIG. 5 is a right side view thereof (the left side being a mirror image of the right side view);

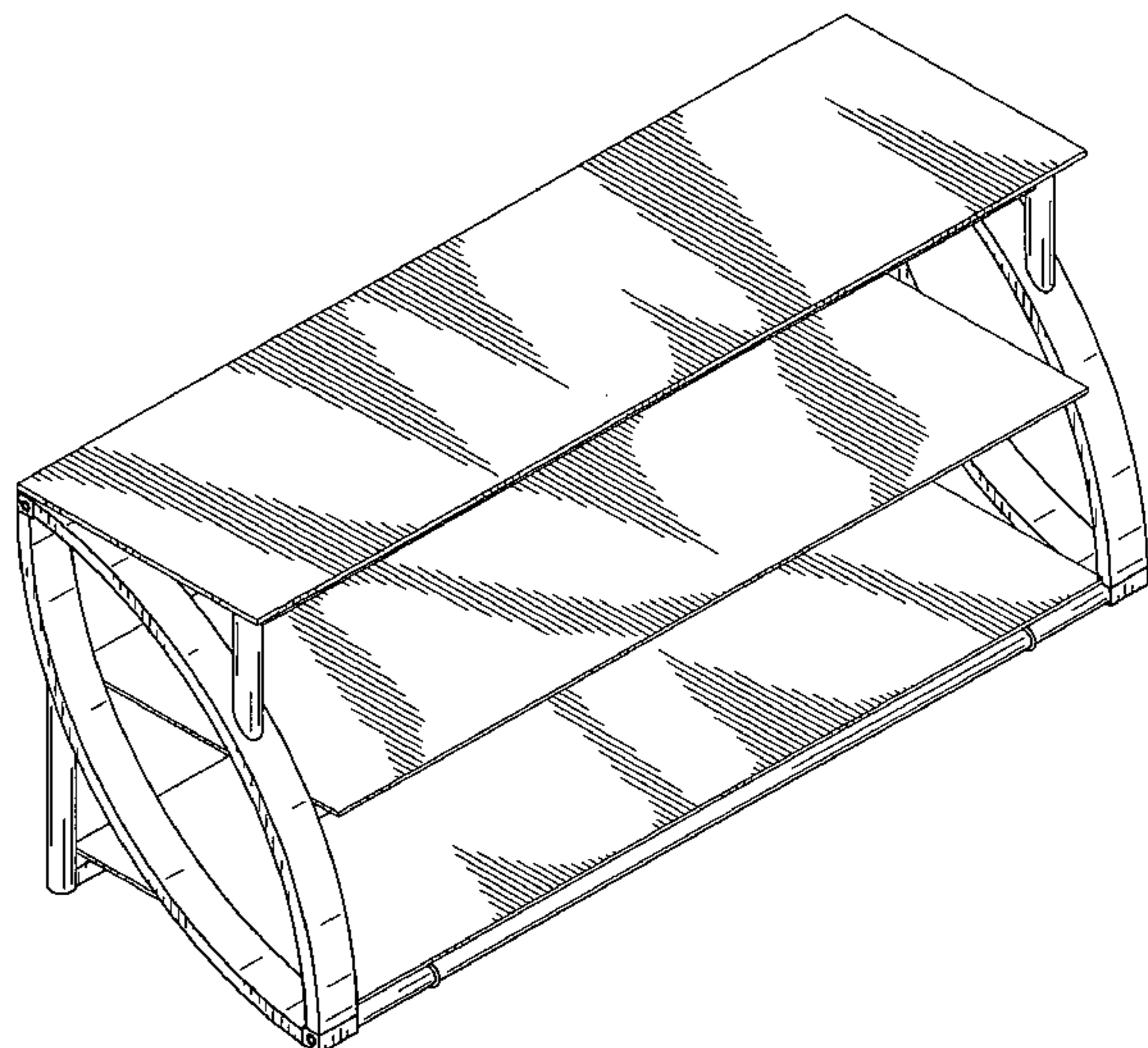
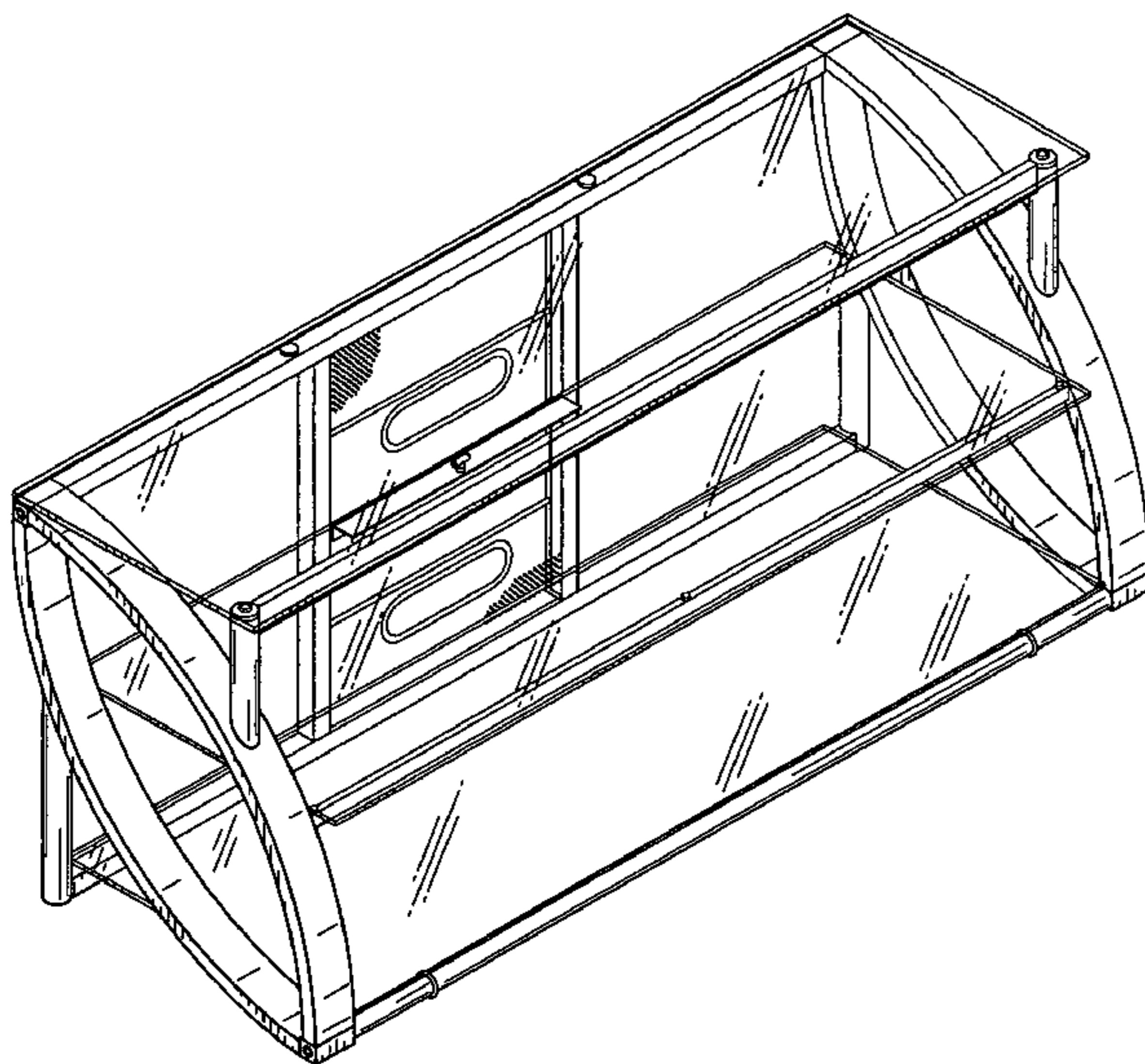
FIG. 6 is a front perspective view of a second embodiment of the audio video shelving unit; and,

FIG. 7 is a top plan view of the embodiment shown in FIG. 6 (all other views of the second embodiment having the same appearance as FIGS. 1-5).

The “pattern” that can be seen on the rear panel between the two vertical posts is only shown on a portion of this area but understood to cover the whole surface.

The broken lines shown on the drawings are included for the purpose of illustration and form no part of the claimed design.

1 Claim, 7 Drawing Sheets



US D590,637 S

Page 2

U.S. PATENT DOCUMENTS

D507,433 S	7/2005	Portnoy	D539,565 S *	4/2007	Sexton, III	D6/474
D507,900 S	8/2005	Sexton	D549,991 S	9/2007	Stravitz	
D508,172 S	8/2005	Malizia et al.	D554,393 S	11/2007	Yalif	
D515,337 S	2/2006	deCarolis	D555,397 S	11/2007	Yalif	
D516,838 S	3/2006	Portnoy	D559,583 S	1/2008	Zambelli	
D516,840 S	3/2006	deCarolis	D559,584 S	1/2008	Zambelli	
D516,847 S	3/2006	Stenhouse et al.	D560,077 S	1/2008	Zambelli	
D519,757 S	5/2006	Portnoy	D562,593 S	2/2008	Zambelli	
D524,080 S	7/2006	Stenhouse et al.	D564,260 S	3/2008	deCarolis	
D525,052 S	7/2006	Malizia et al.	D564,789 S	3/2008	deCarolis	
D525,054 S	7/2006	Stenhouse et al.	D564,796 S	3/2008	Zambelli	
D527,208 S	8/2006	Malizia et al.	D572,943 S *	7/2008	Antonioni	D6/477
D535,497 S	1/2007	Portnoy	D572,944 S *	7/2008	Sexton	D6/477
D537,656 S	3/2007	Stenhouse et al.				

* cited by examiner

FIG. 1

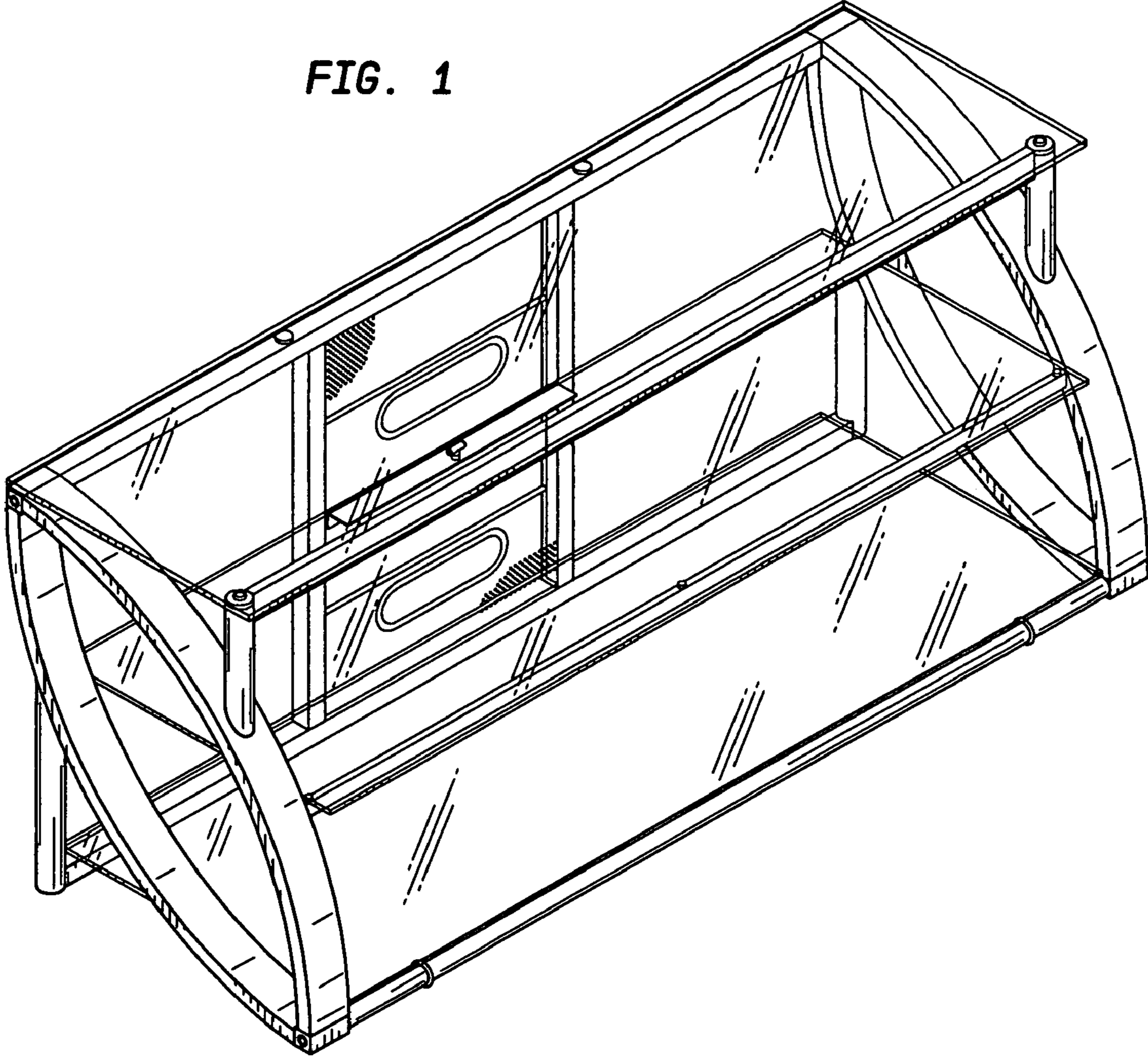


FIG. 2

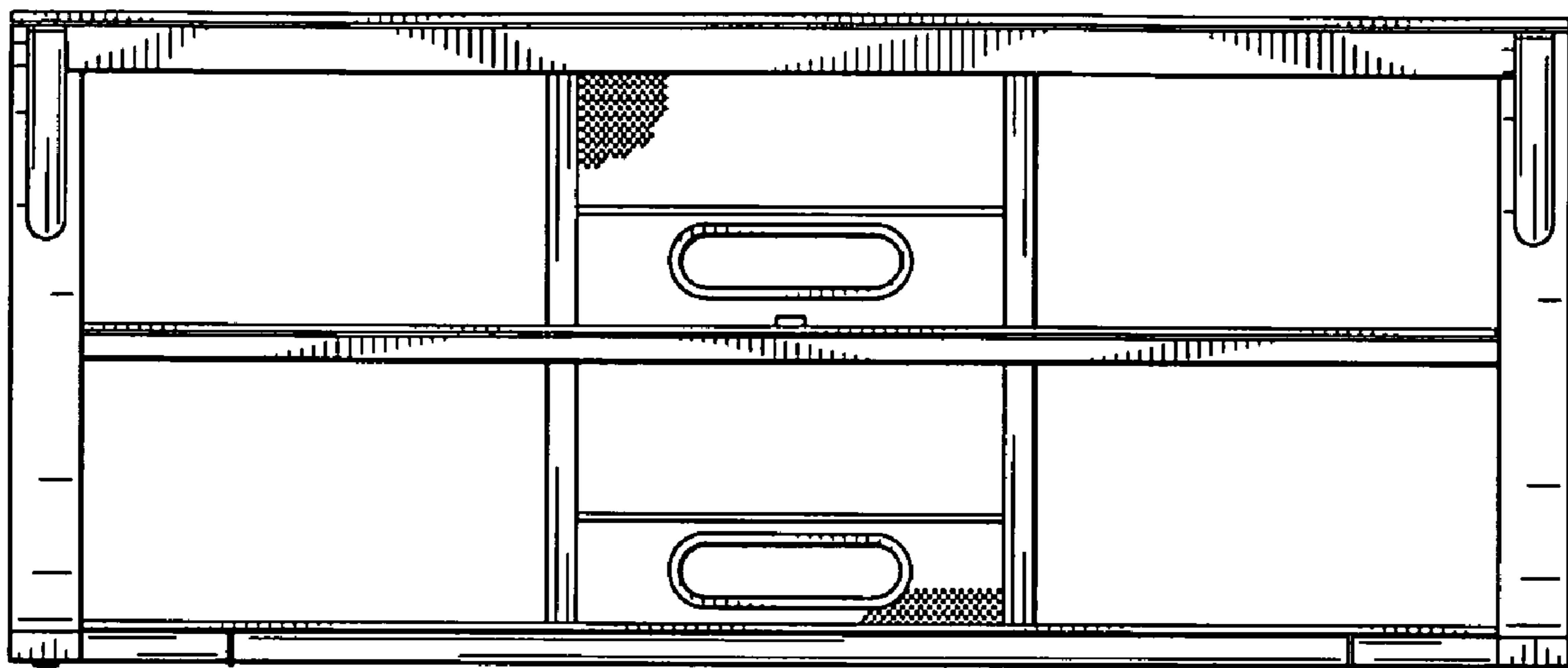


FIG. 3

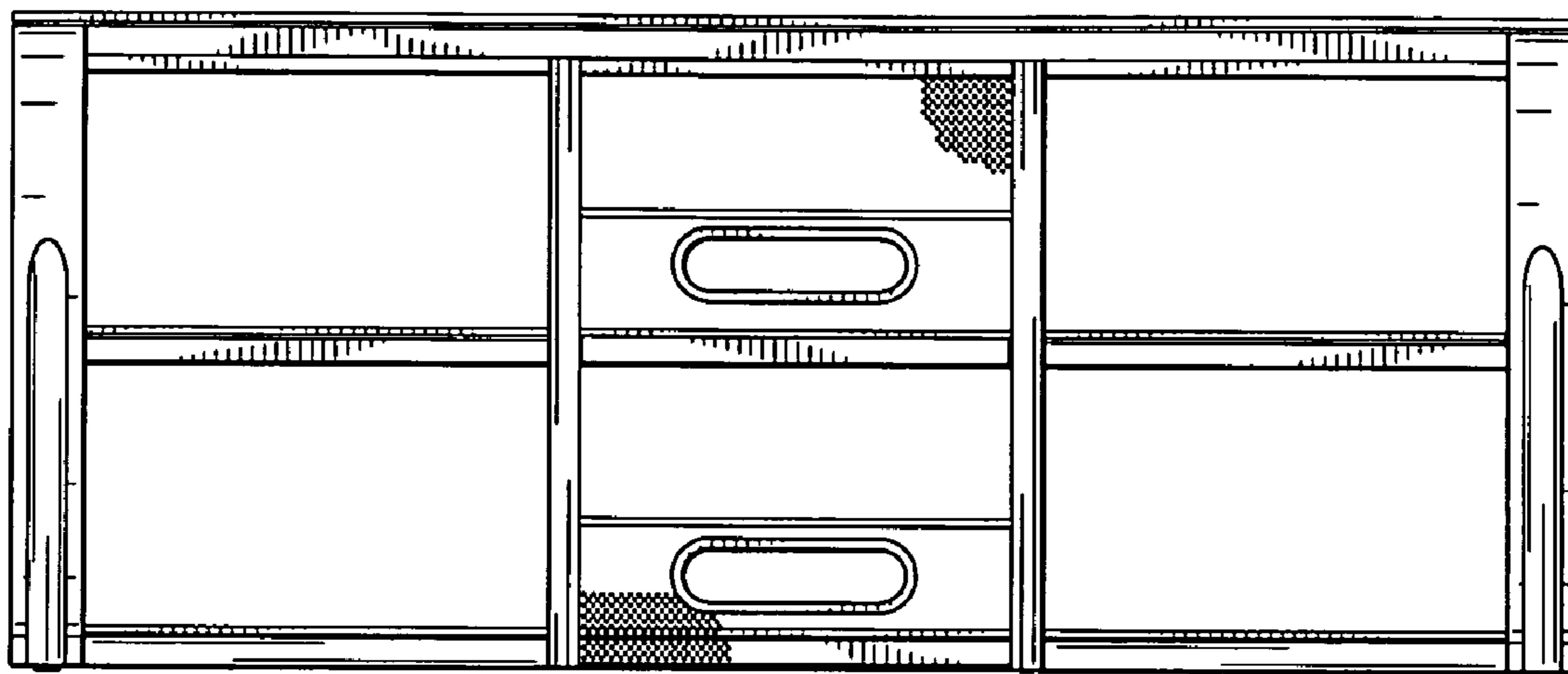


FIG. 4

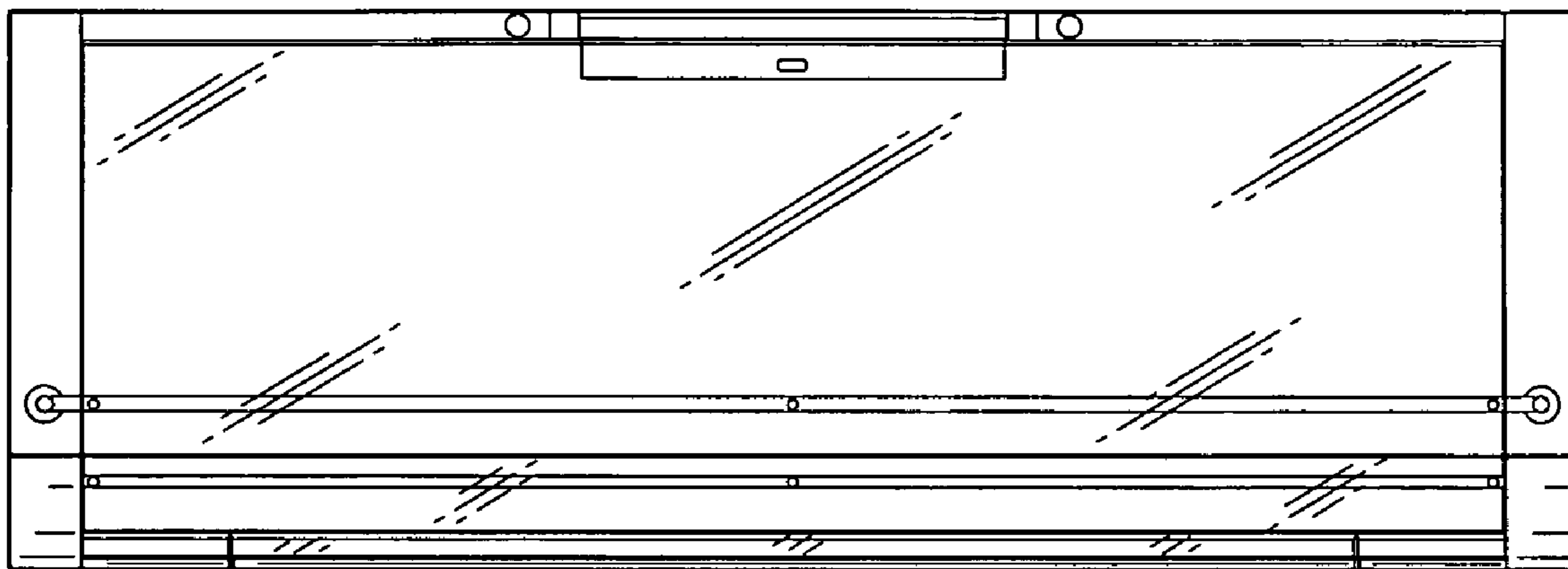


FIG. 5

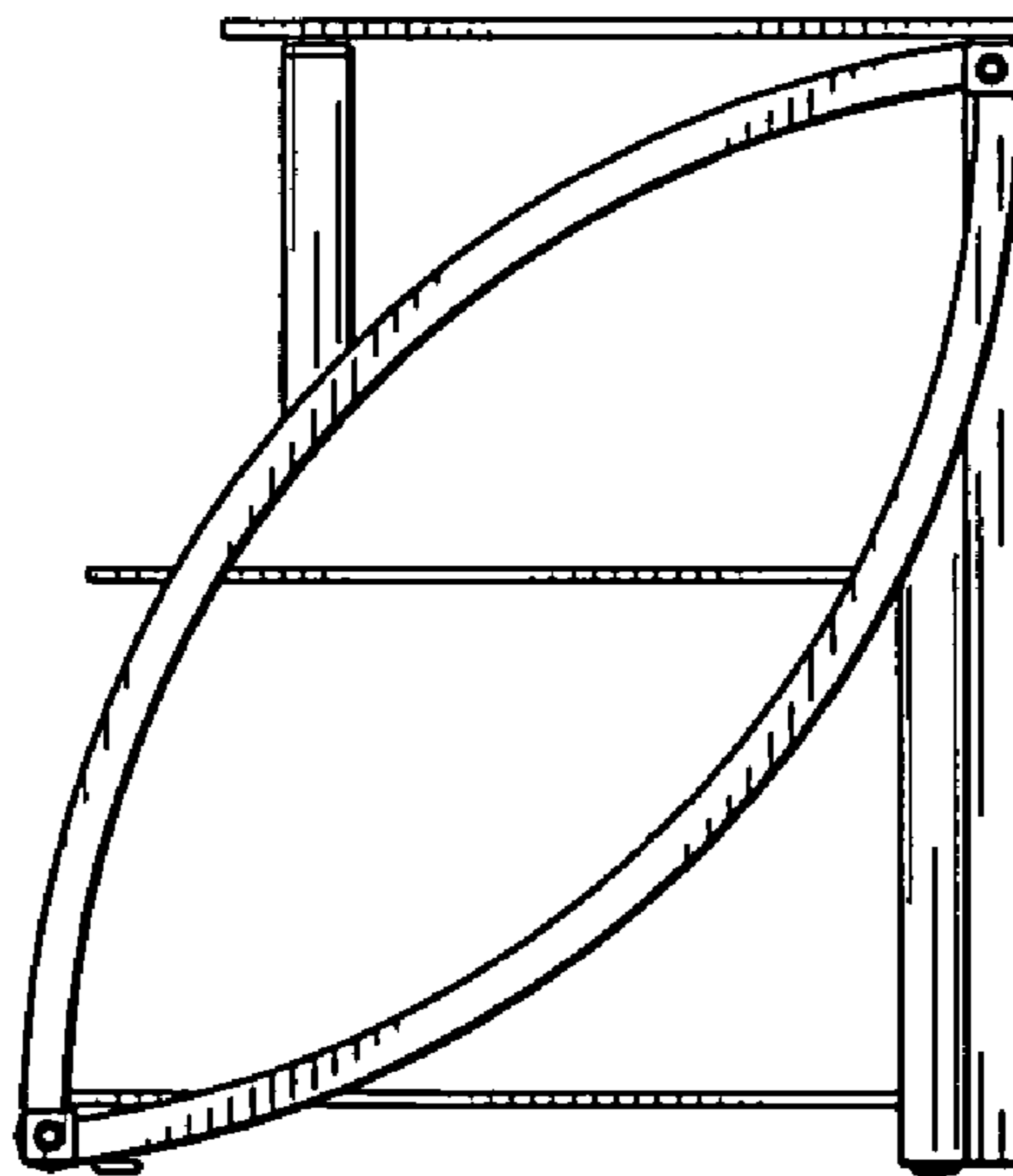


FIG. 6

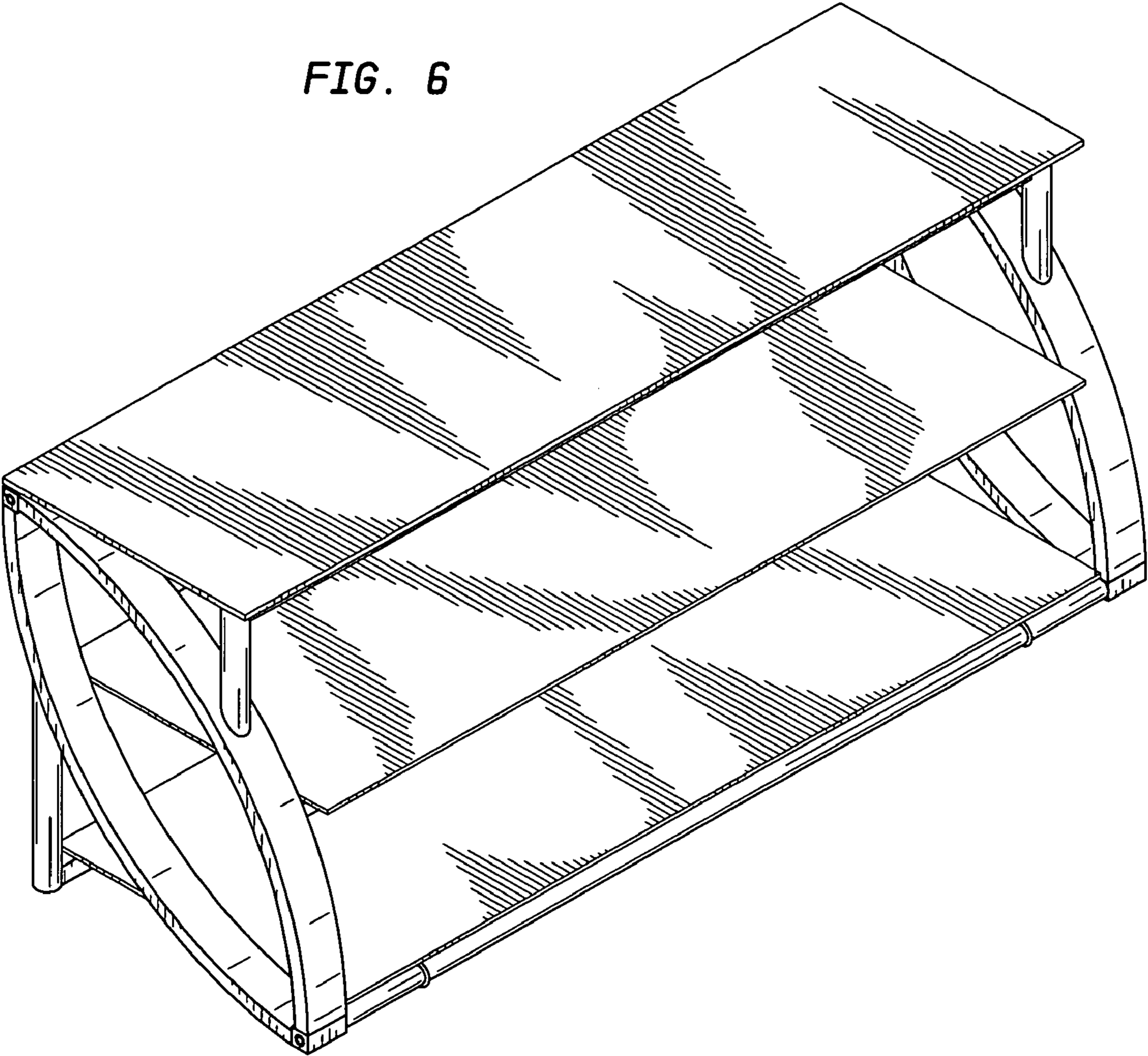


FIG. 7

