



US00D590636S

(12) **United States Design Patent**  
**Ou Yang et al.**

(10) **Patent No.:** **US D590,636 S**  
(45) **Date of Patent:** **\*\* Apr. 21, 2009**

(54) **AUDIO VIDEO SHELVING UNIT**  
(75) Inventors: **Hui Bin Ou Yang**, Pingxiang (CN);  
**Robert Weitz**, Toms River, NJ (US)

D497,060 S 10/2004 Chang et al.  
D497,061 S 10/2004 Decarolis  
D505,573 S 5/2005 Malizia  
D506,329 S 6/2005 Sexton

(Continued)

(73) Assignee: **Bell'O International Corp.**,  
Morganville, NJ (US)

(\*\*) Term: **14 Years**

(21) Appl. No.: **29/294,161**

(22) Filed: **Dec. 21, 2007**

(51) **LOC (9) Cl.** ..... **06-04**  
(52) **U.S. Cl.** ..... **D6/477**  
(58) **Field of Classification Search** ..... D6/477-479,  
D6/460-461, 468, 474, 407; D14/239, 129,  
D14/126; 108/59, 96, 91-92; 211/40, 41.12,  
211/42, 49.1, 50, 85.2; 312/9.1, 9.2, 46,  
312/9.64, 9.8, 7.2

See application file for complete search history.

(56) **References Cited**

**U.S. PATENT DOCUMENTS**

D454,731 S 3/2002 Niitsu et al.  
D458,053 S 6/2002 Luong  
D472,073 S 3/2003 de Carolis  
D472,074 S 3/2003 de Carolis  
D472,075 S 3/2003 de Carolis  
D474,047 S \* 5/2003 Lara ..... D6/479  
D489,548 S 5/2004 Malizia et al.  
D491,748 S 6/2004 deCarolis  
D491,749 S 6/2004 Malizia et al.  
D491,750 S 6/2004 Bertoncini et al.  
D491,753 S 6/2004 deCarolis  
D492,860 S 7/2004 Bertoncini et al.  
D493,982 S 8/2004 deCarolis  
D496,807 S 10/2004 deCarolis

**OTHER PUBLICATIONS**

Bell'O 2005/06 International Catalog.

*Primary Examiner*—Elizabeth A Albert

*Assistant Examiner*—Kelley A Donnelly

(74) *Attorney, Agent, or Firm*—Lerner, David, Littenberg,  
Krumholz & Mentlik, LLP

(57) **CLAIM**

The ornamental design for audio video shelving unit, as shown and described.

**DESCRIPTION**

FIG. 1 is a front perspective view of a first embodiment of the audio video shelving unit;

FIG. 2 is a front elevational view thereof;

FIG. 3 is a rear elevational view thereof;

FIG. 4 is a top plan view thereof;

FIG. 5 is a right side view thereof (the left side being a mirror image of the right side view);

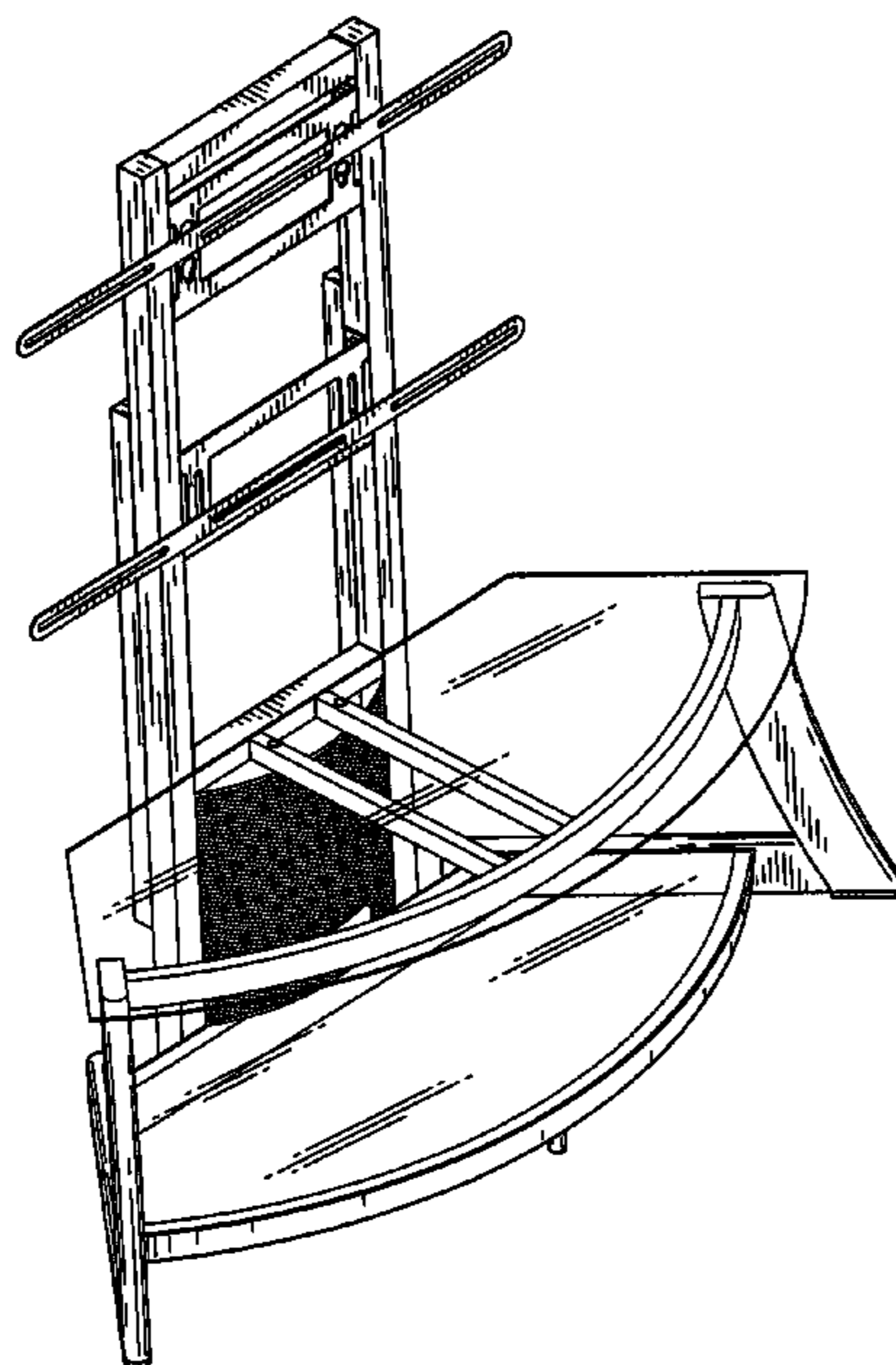
FIG. 6 is a front perspective view of a second embodiment of the audio video shelving unit; and,

FIG. 7 is a top plan view of the embodiment shown in

FIG. 6 (all other views of the second embodiment having the same appearances as FIGS. 1-5).

The shading on the back support structure of the “audio video shelving unit” is meant to represent “perforations in the surface.”

**1 Claim, 7 Drawing Sheets**



# US D590,636 S

Page 2

---

## U.S. PATENT DOCUMENTS

D507,433 S	7/2005	Portnoy	
D507,900 S	8/2005	Sexton	
D508,171 S *	8/2005	Choo .....	D6/477
D508,172 S	8/2005	Malizia et al.	
D515,337 S	2/2006	deCarolis	
D516,838 S	3/2006	Portnoy	
D516,840 S	3/2006	deCarolis	
D516,847 S	3/2006	Stenhouse et al.	
D517,349 S *	3/2006	Lara .....	D6/477
D519,757 S	5/2006	Portnoy	
D524,080 S	7/2006	Stenhouse et al.	
D525,052 S *	7/2006	Malizia .....	D6/474
D525,054 S	7/2006	Stenhouse et al.	
D527,208 S	8/2006	Malizia et al.	
D535,497 S	1/2007	Portnoy	
D537,656 S	3/2007	Stenhouse et al.	
D549,991 S	9/2007	Stravitz	
D554,393 S	11/2007	Yalif	
D555,397 S	11/2007	Yalif	
D564,261 S *	3/2008	Sculler .....	D6/477
D564,796 S *	3/2008	Zambelli .....	D6/477
D576,427 S *	9/2008	Stebbens et al. ....	D6/477

\* cited by examiner

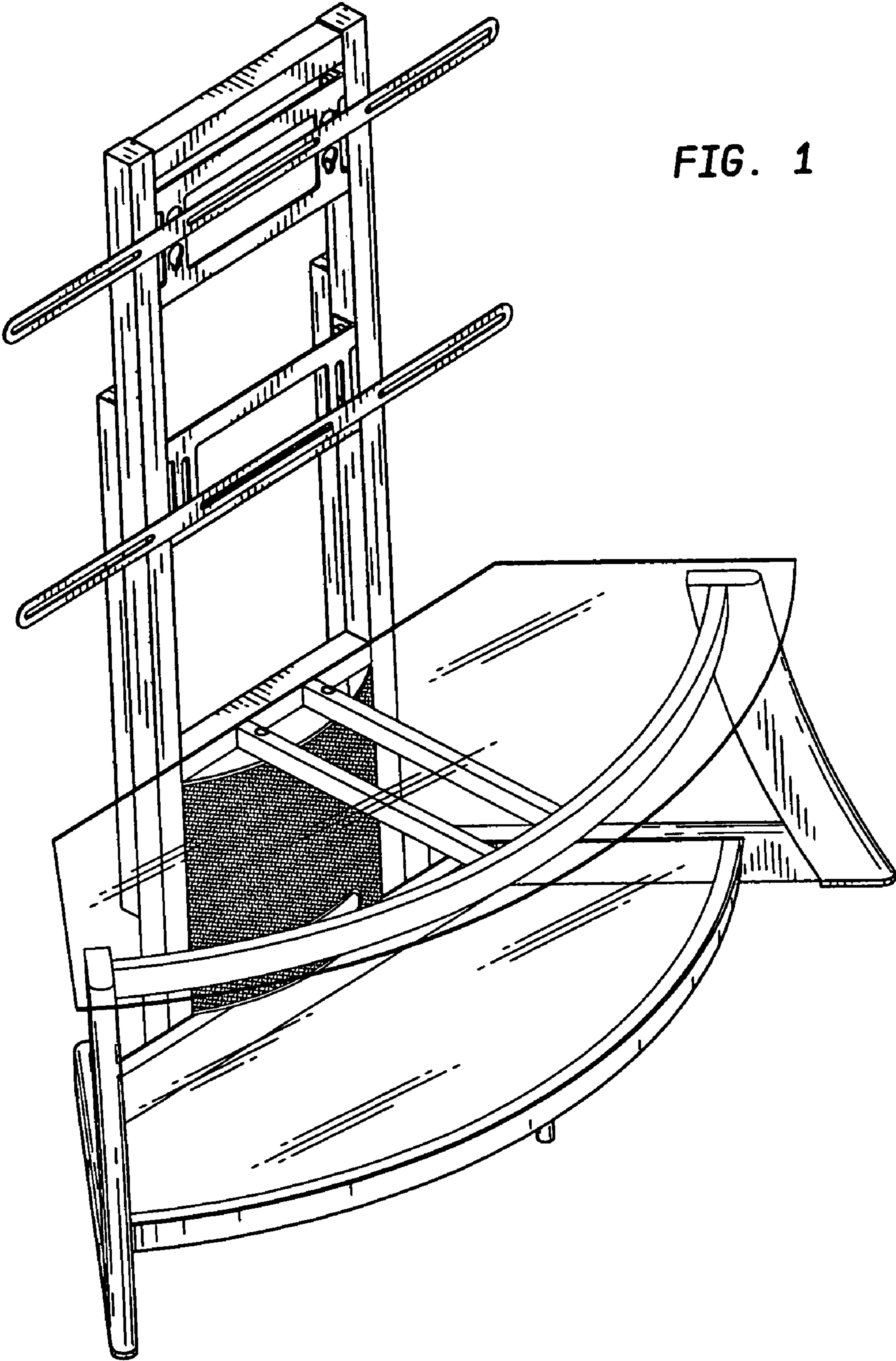


FIG. 1

FIG. 2

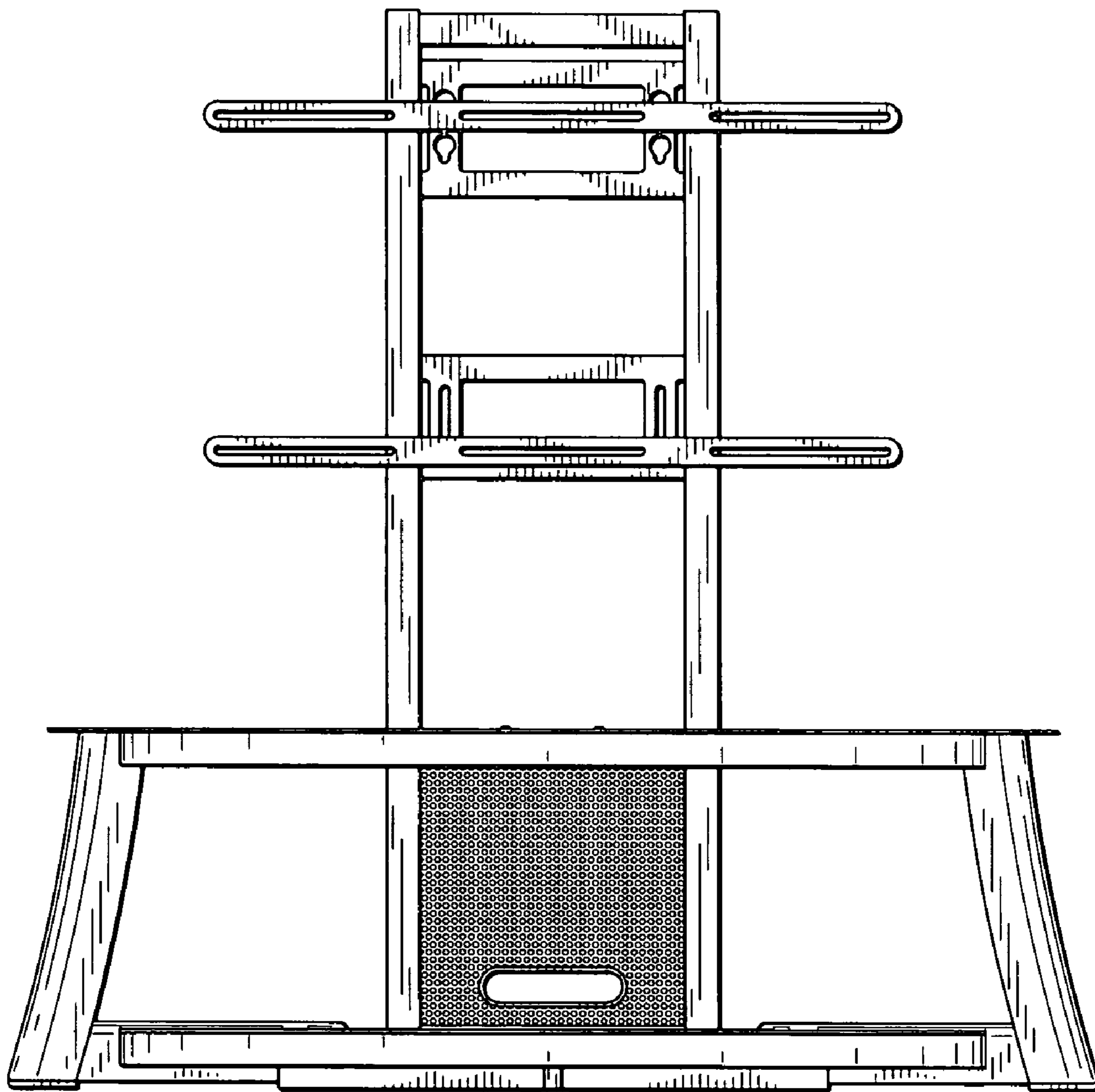


FIG. 3

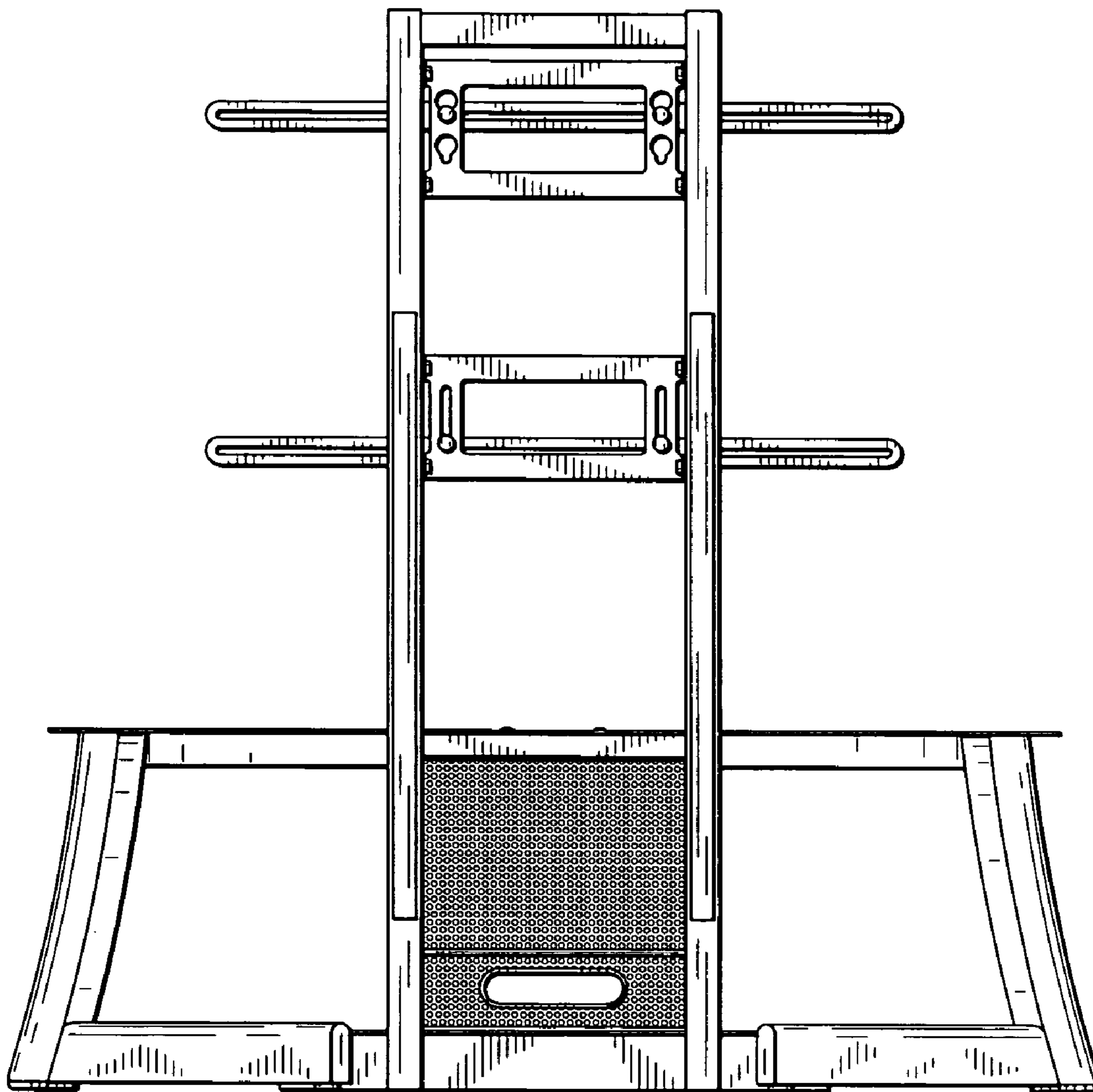
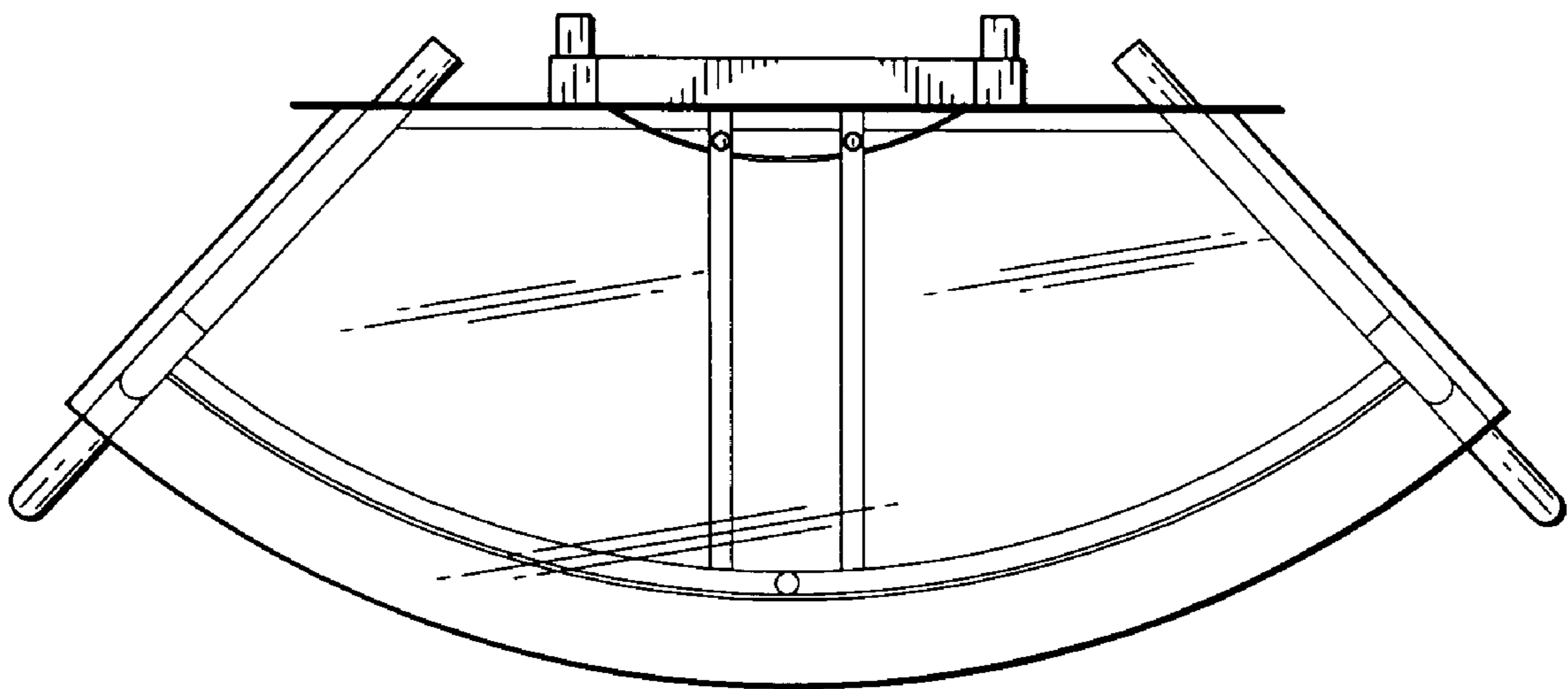
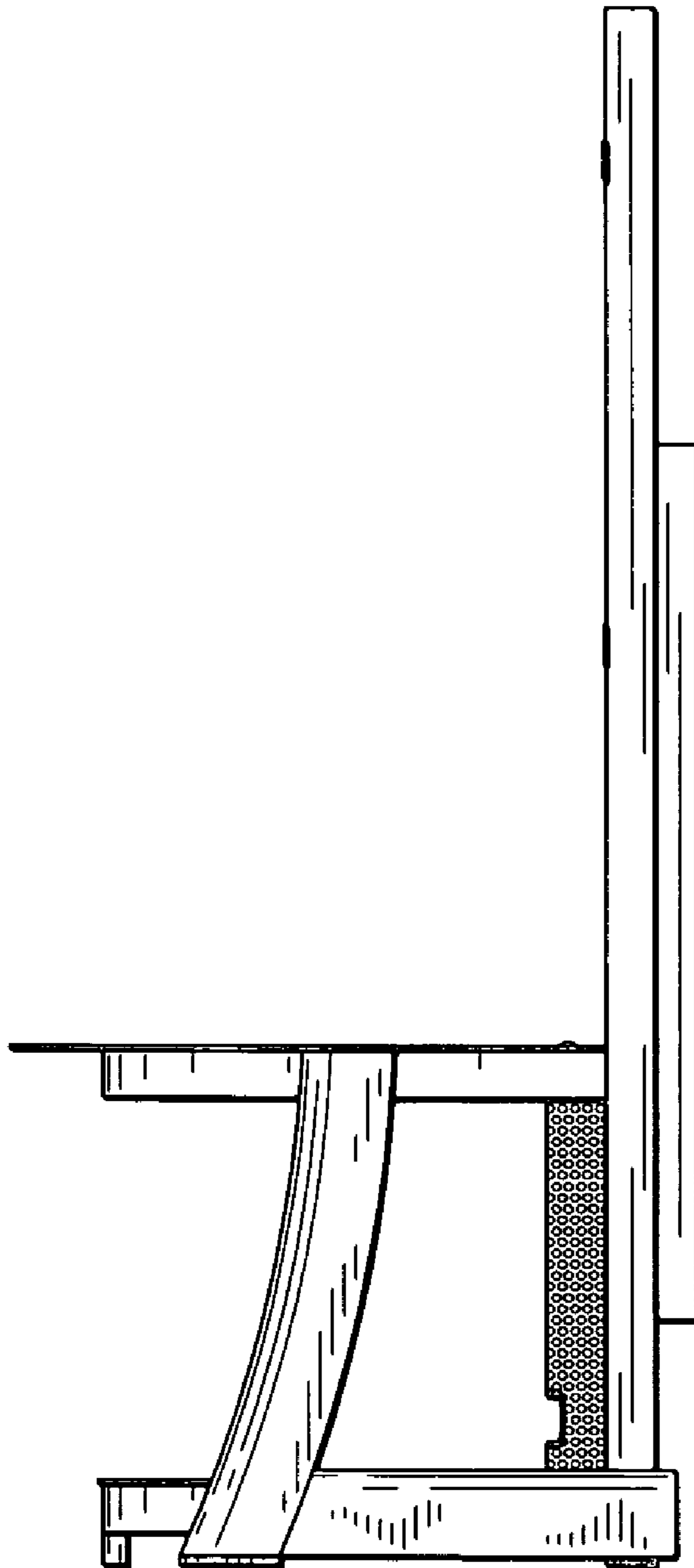


FIG. 4



*FIG. 5*



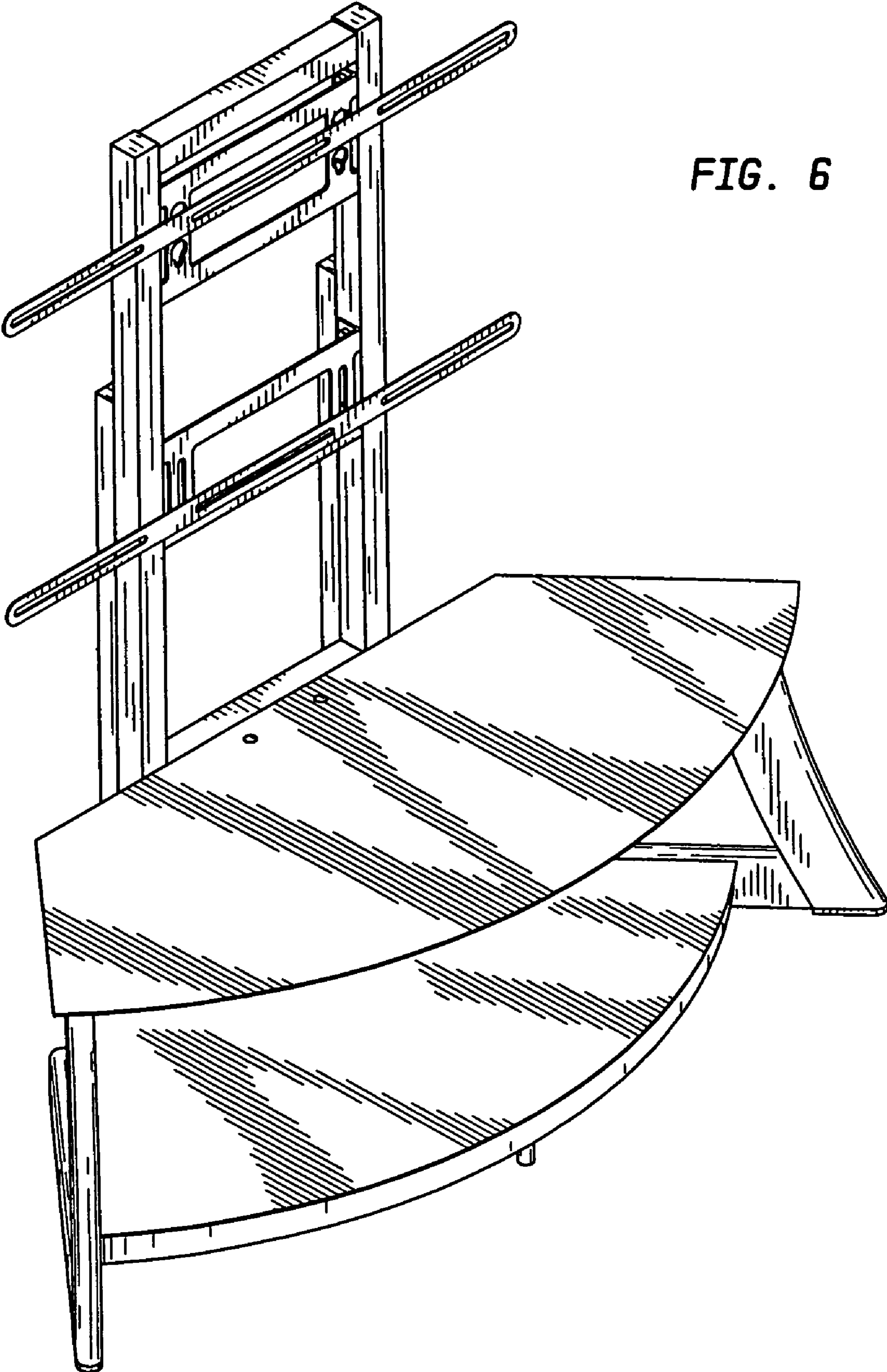


FIG. 6



FIG. 7

