



US00D590635S

(12) **United States Design Patent**  
**Beckerman**

(10) **Patent No.:** **US D590,635 S**

(45) **Date of Patent:** **\*\* Apr. 21, 2009**

(54) **FILE STORAGE DEVICE**

(76) Inventor: **Laurie Ellen Beckerman**, 500 Second Ave., Suite 19E, New York, NY (US) 10016

(\*\*) Term: **14 Years**

(21) Appl. No.: **29/317,431**

(22) Filed: **Apr. 29, 2008**

(51) **LOC (9) Cl.** ..... **06-04**

(52) **U.S. Cl.** ..... **D6/475**

(58) **Field of Classification Search** ..... D6/459,  
D6/460-461, 466-468, 473-474, 476-479;  
211/60.1, 189, 194

See application file for complete search history.

(56) **References Cited**

U.S. PATENT DOCUMENTS

D208,921 S *	10/1967	Tapert .....	D6/473
D236,411 S *	8/1975	Horney .....	D7/708
D245,047 S *	7/1977	Dogliotti .....	D6/473
D247,530 S *	3/1978	Edwards, Jr. ....	D6/461
D258,334 S *	2/1981	Bernat Fontilladosa .....	D6/468
D268,463 S *	4/1983	Olson .....	D7/708
D268,464 S *	4/1983	Sandy .....	D6/478
D269,312 S *	6/1983	Marks, Jr. ....	D6/476
D300,190 S *	3/1989	Shikatani .....	D6/459
D331,331 S *	12/1992	Brunner .....	D6/414
D391,420 S *	3/1998	Connor et al. ....	D6/473

D398,790 S *	9/1998	DePottey et al. ....	D6/468
D426,401 S *	6/2000	Conway, Jr. ....	D6/470
D431,396 S *	10/2000	Guttman et al. ....	D6/473

\* cited by examiner

*Primary Examiner*—Caron Veynar

*Assistant Examiner*—Kelley A Donnelly

(74) *Attorney, Agent, or Firm*—Cahn & Samuels, LLP

(57) **CLAIM**

The ornamental design for a file storage device, as shown and described.

**DESCRIPTION**

FIG. 1 is a perspective view of the file storage device according to the present invention.

FIG. 2 is a front view of the file storage device according to the present invention, the rear view being the mirror image.

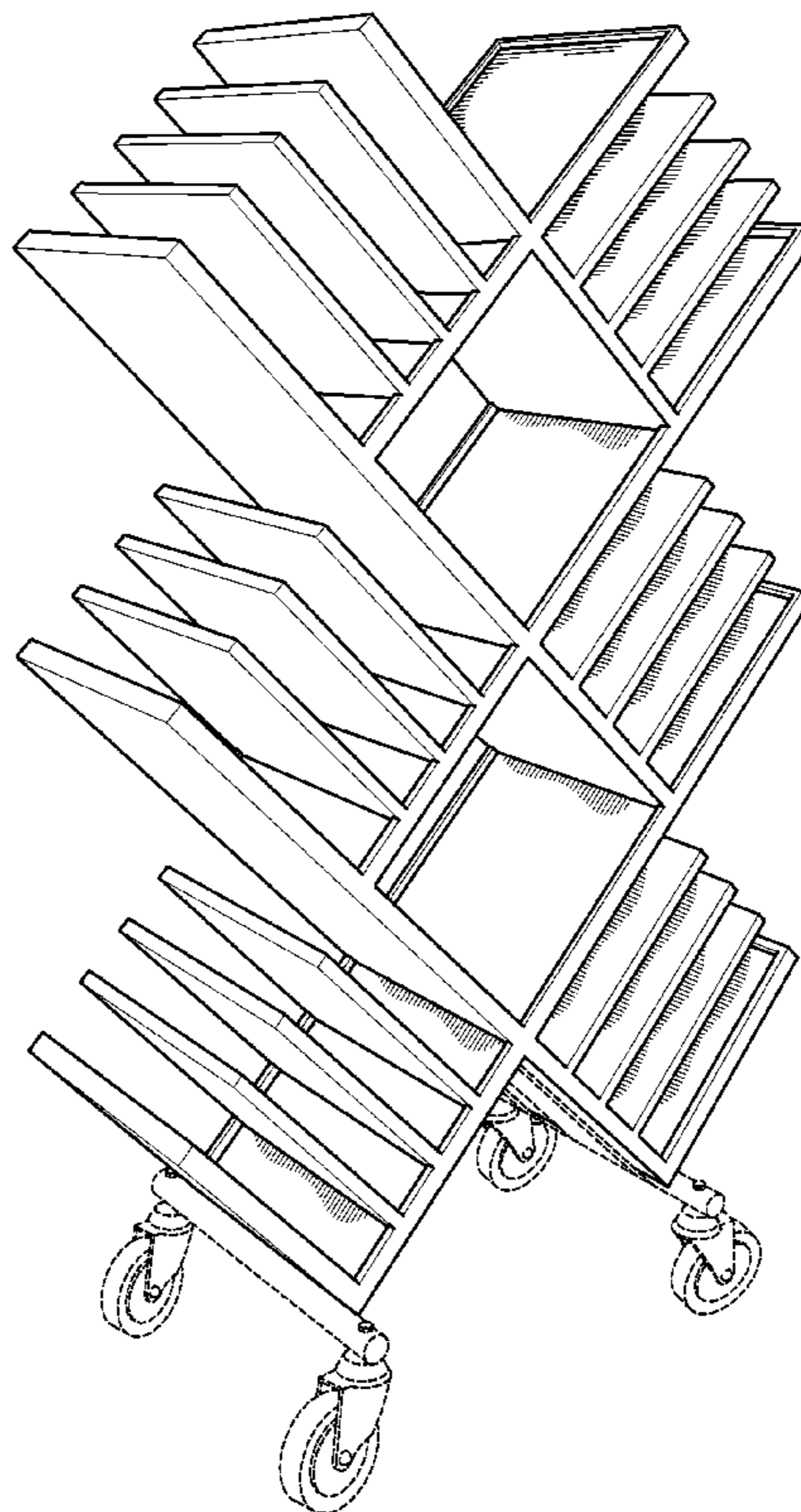
FIG. 3 is a first side view of the file storage device according to the present invention, the second side view being the mirror image.

FIG. 4 is a top view of the file storage device according to the present invention; and,

FIG. 5 is a bottom view of the file storage device according to the present invention.

The broken lines are for environmental purposes only and form no part of the claimed design.

**1 Claim, 4 Drawing Sheets**



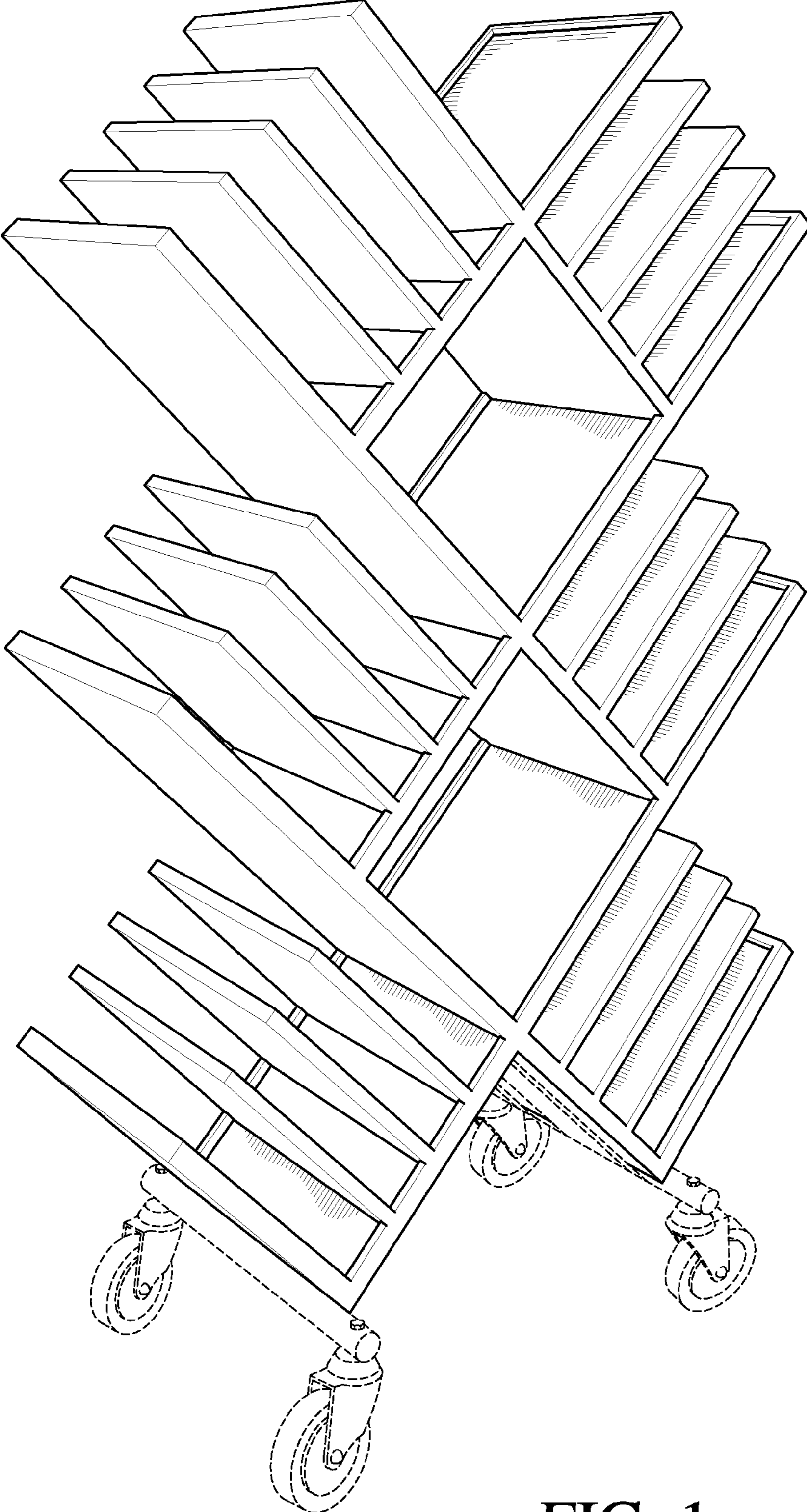


FIG. 1

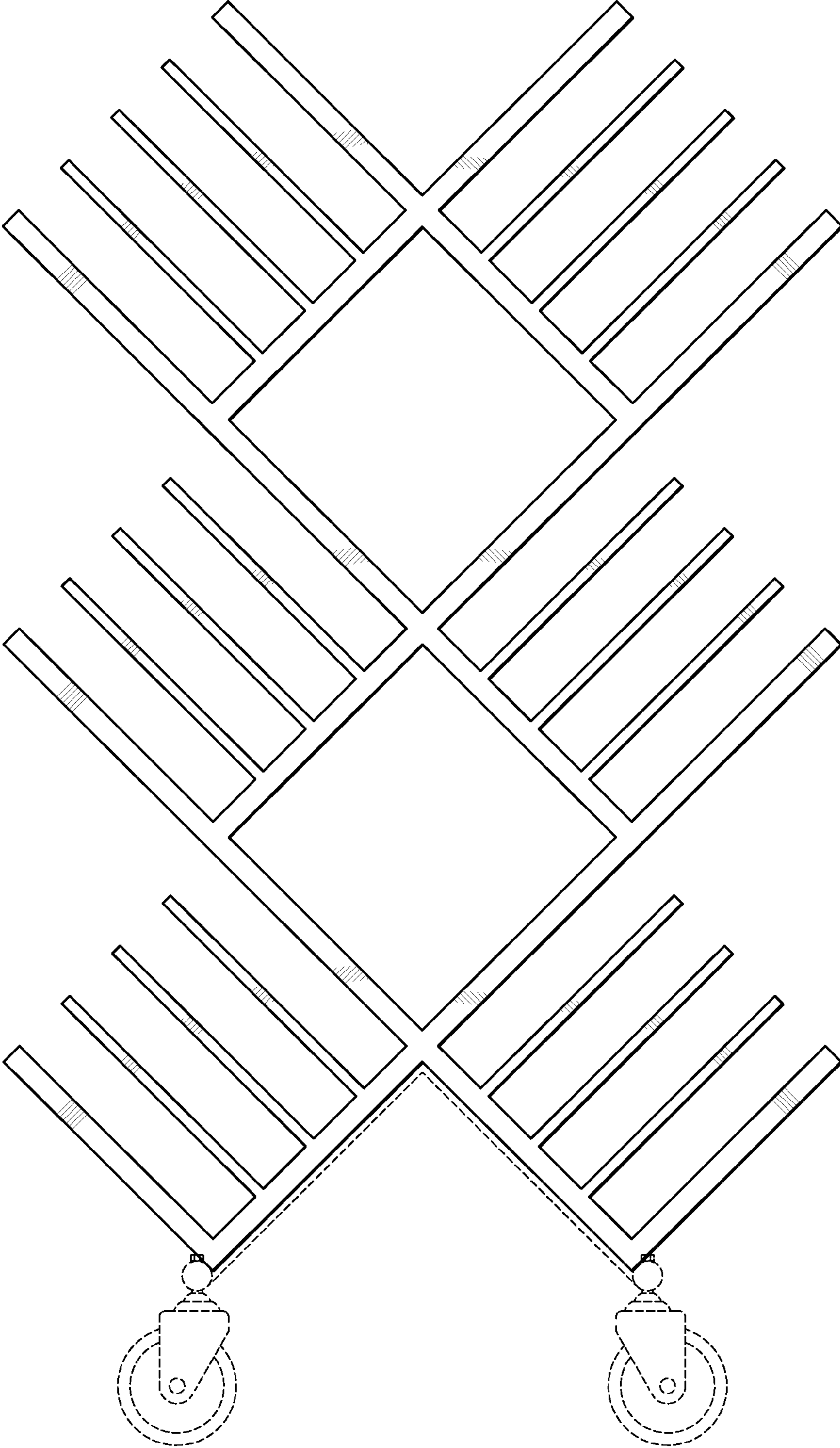


FIG. 2

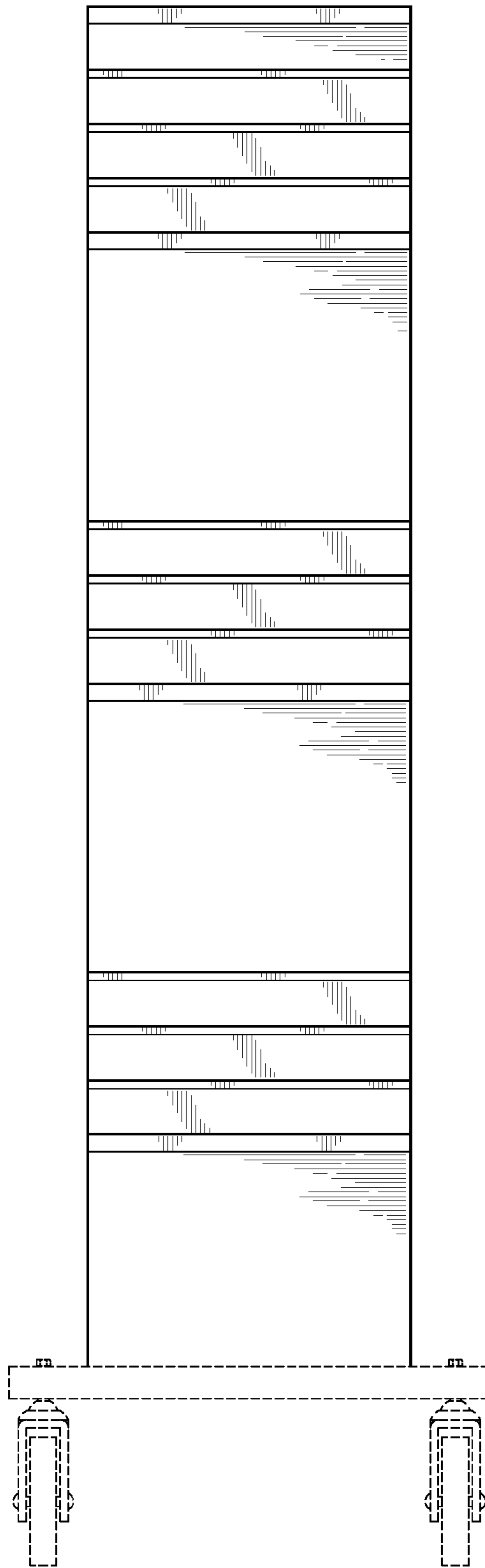


FIG. 3

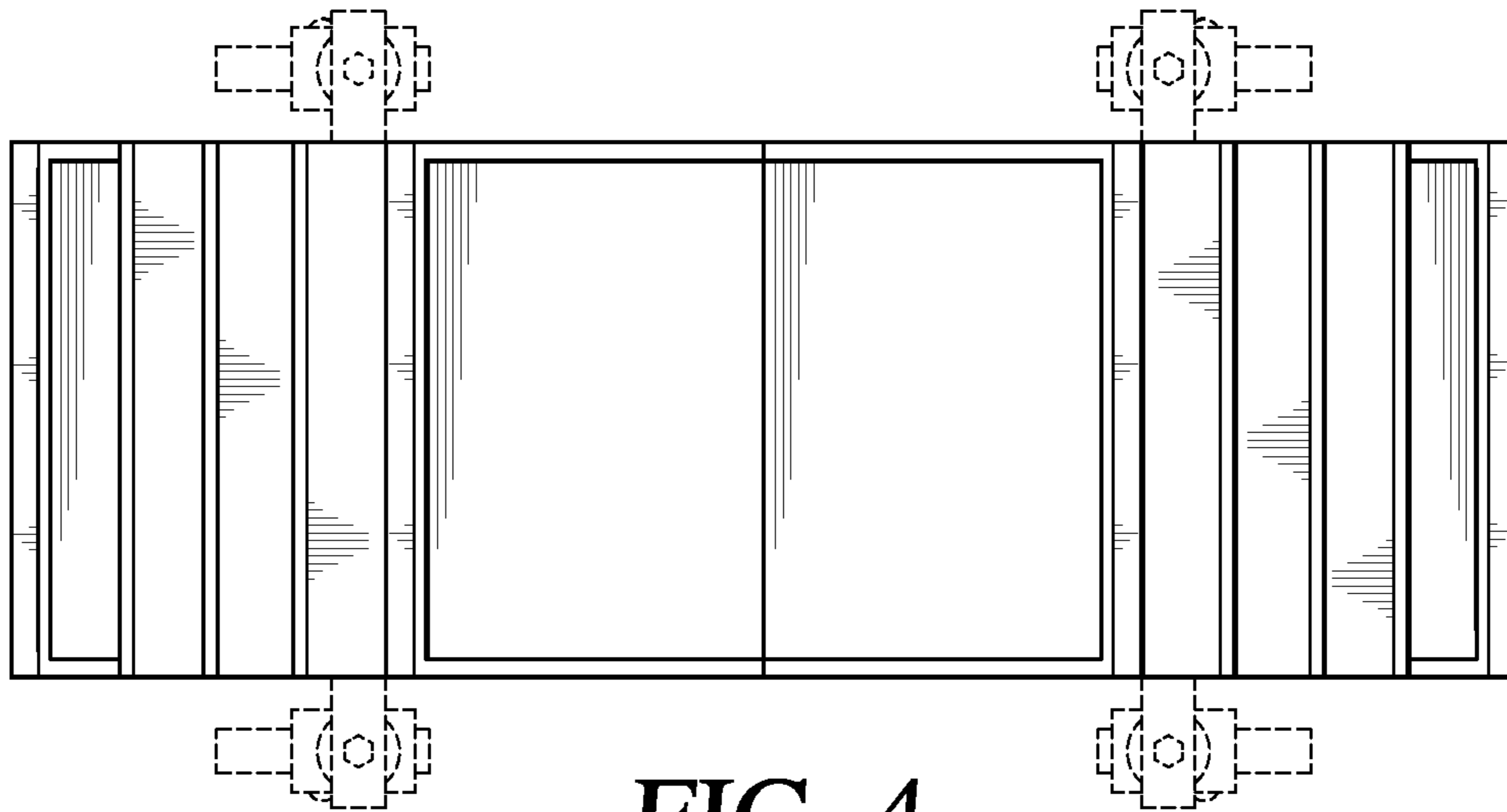


FIG. 4

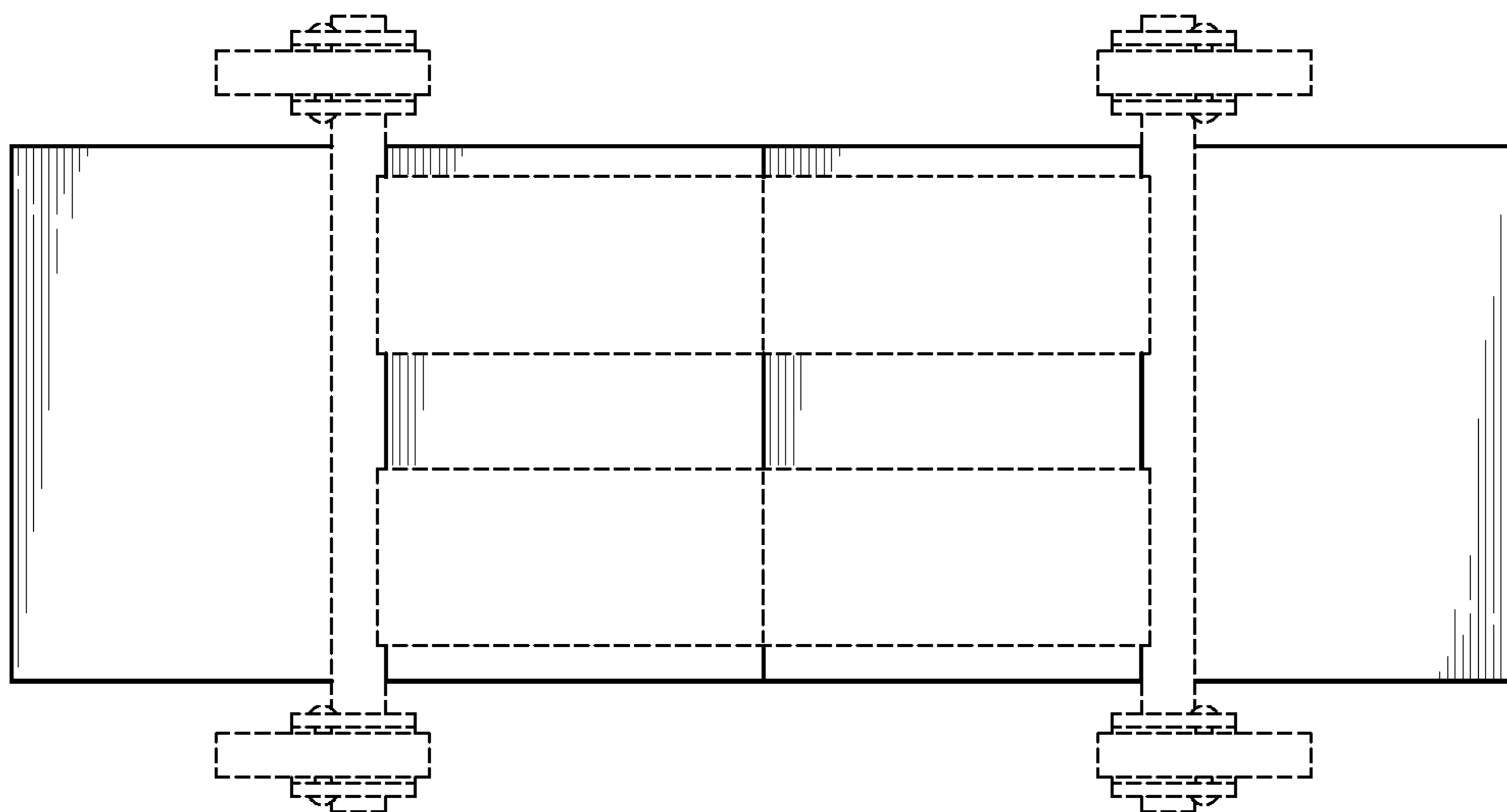


FIG. 5