



(12) **United States Design Patent**
Jeup

(10) **Patent No.:** **US D590,633 S**
(45) **Date of Patent:** **** Apr. 21, 2009**

- (54) **TABLE**
- (75) Inventor: **Joseph Jeup**, Hudsonville, MI (US)
- (73) Assignee: **Donghia, Inc.**, Mount Vernon, NY (US)
- (**) Term: **14 Years**
- (21) Appl. No.: **29/319,458**
- (22) Filed: **Jun. 10, 2008**
- (51) **LOC (9) Cl.** **06-04**
- (52) **U.S. Cl.** **D6/445**
- (58) **Field of Classification Search** D6/432-448;
312/114, 138.1, 204, 224, 257.1, 278-279
See application file for complete search history.

(56) **References Cited**
U.S. PATENT DOCUMENTS

D177,159 S *	3/1956	Van Koert	D6/446
D508,795 S *	8/2005	Mirchand	D6/441
D513,371 S *	1/2006	Juneau et al.	D6/446
D533,731 S *	12/2006	Boerner et al.	D6/436
D546,093 S *	7/2007	Boerner et al.	D6/446
D553,388 S *	10/2007	Baade	D6/446
D559,009 S *	1/2008	Shaw	D6/441
D560,392 S *	1/2008	Kingsley	D6/445

D569,652 S * 5/2008 Kanthasamy D6/445
* cited by examiner
Primary Examiner—Caron Veynar
Assistant Examiner—Ricky Pham
(74) *Attorney, Agent, or Firm*—Heslin Rothenberg Farley & Mesiti P.C.

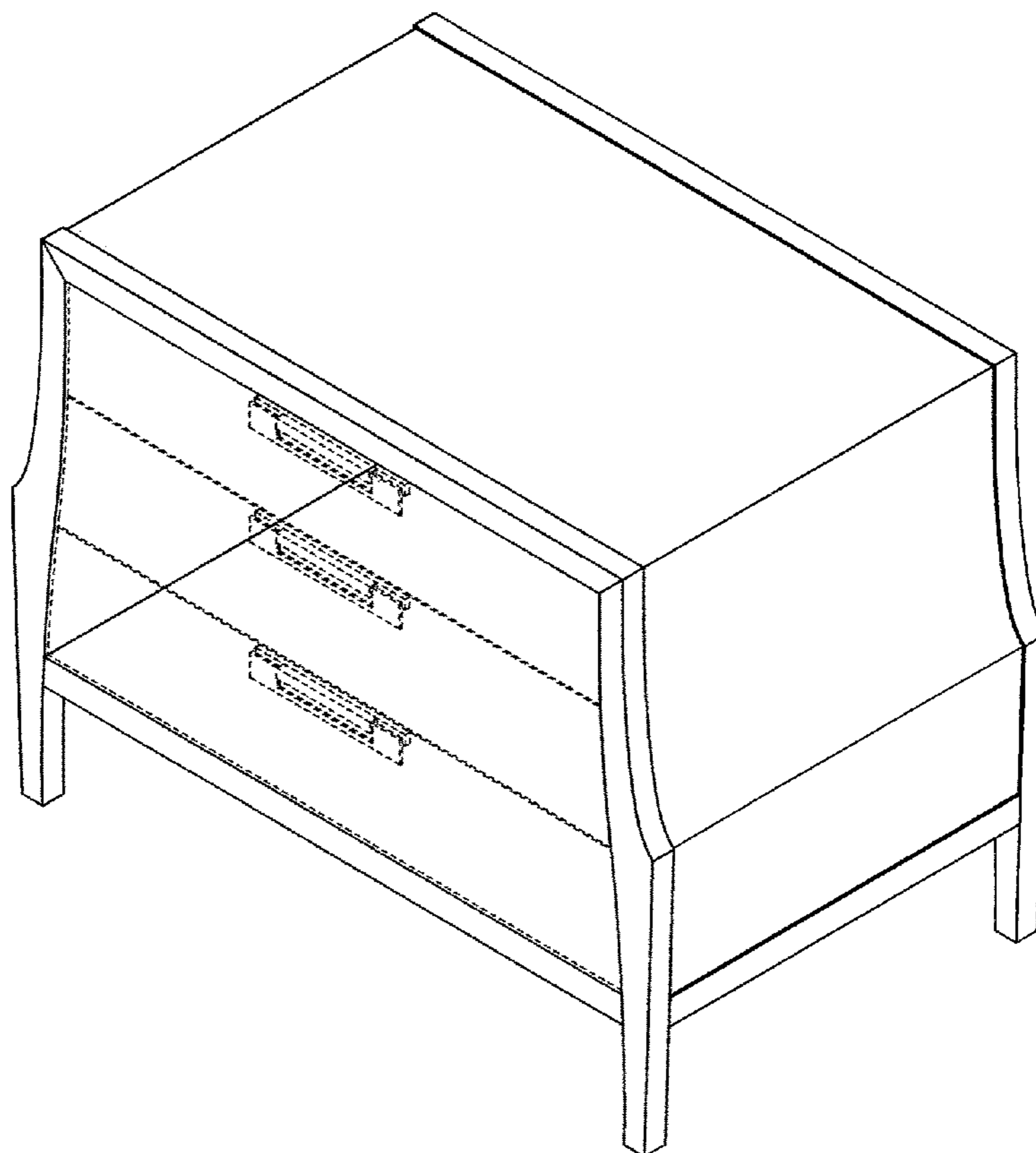
(57) **CLAIM**

The ornamental design for a table, as shown and described.

DESCRIPTION

FIG. 1 is a perspective view of a table comprising the new design;
FIG. 2 is a top view thereof;
FIG. 3 is a front view thereof;
FIG. 4 is a right side view thereof, where the left side is a mirror image thereof; and,
FIG. 5 is a front view of an alternative embodiment of the new design having an indeterminate width, which is the sole difference between it and FIGS. 1-4.
The broken line depiction is for illustrative purposes only and forms no part of the claimed invention.

1 Claim, 5 Drawing Sheets



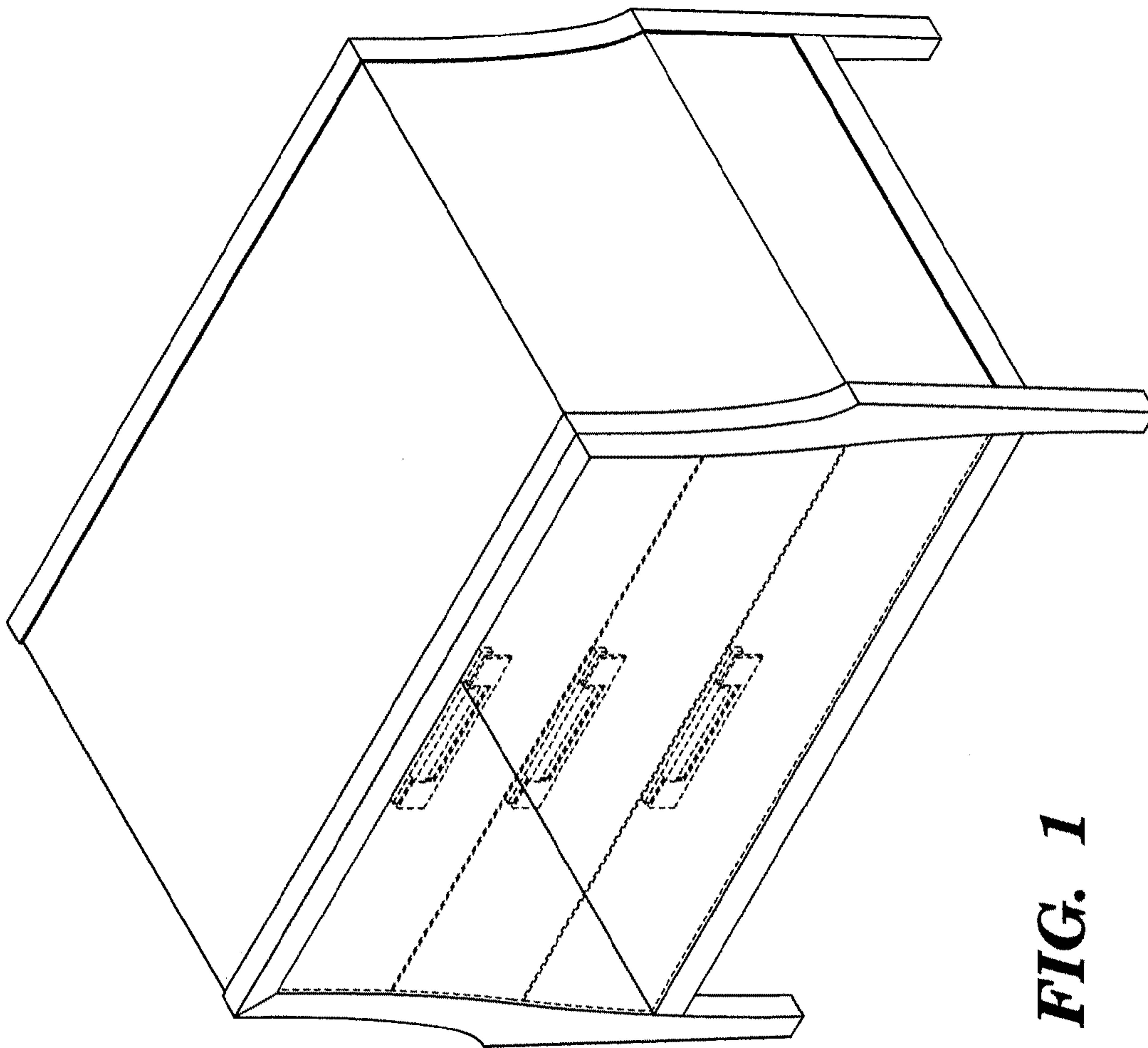


FIG. 1

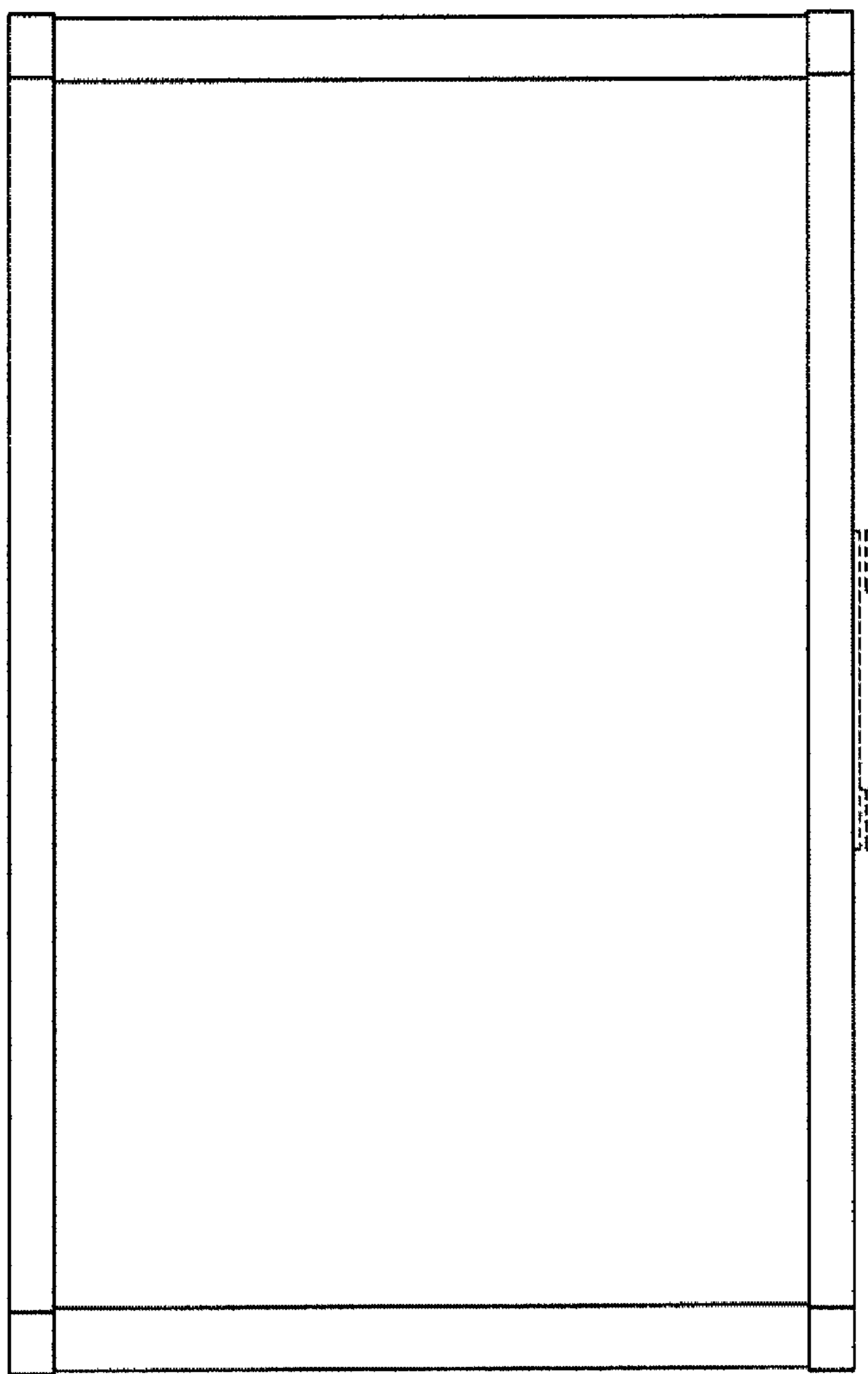


FIG. 2

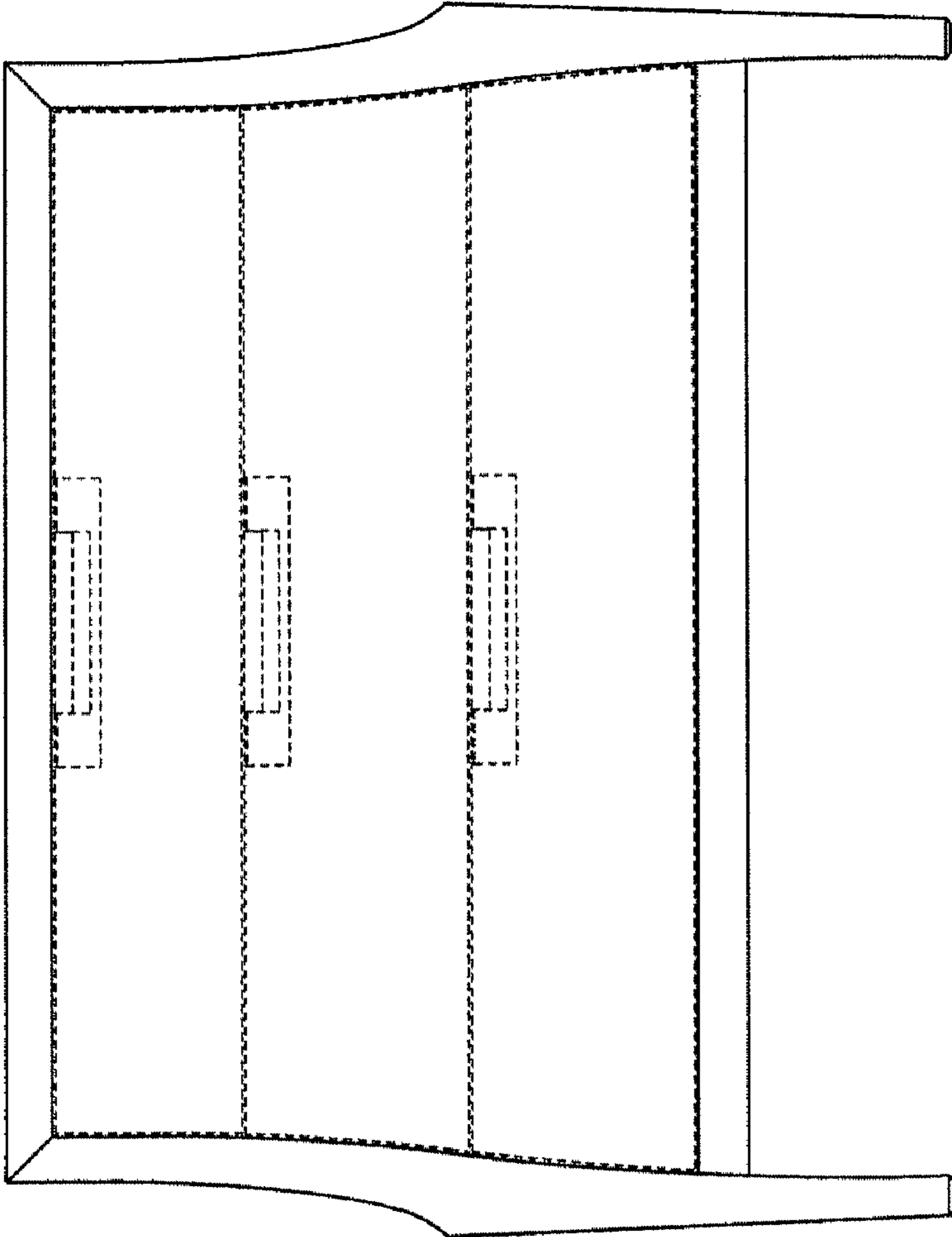


FIG. 3

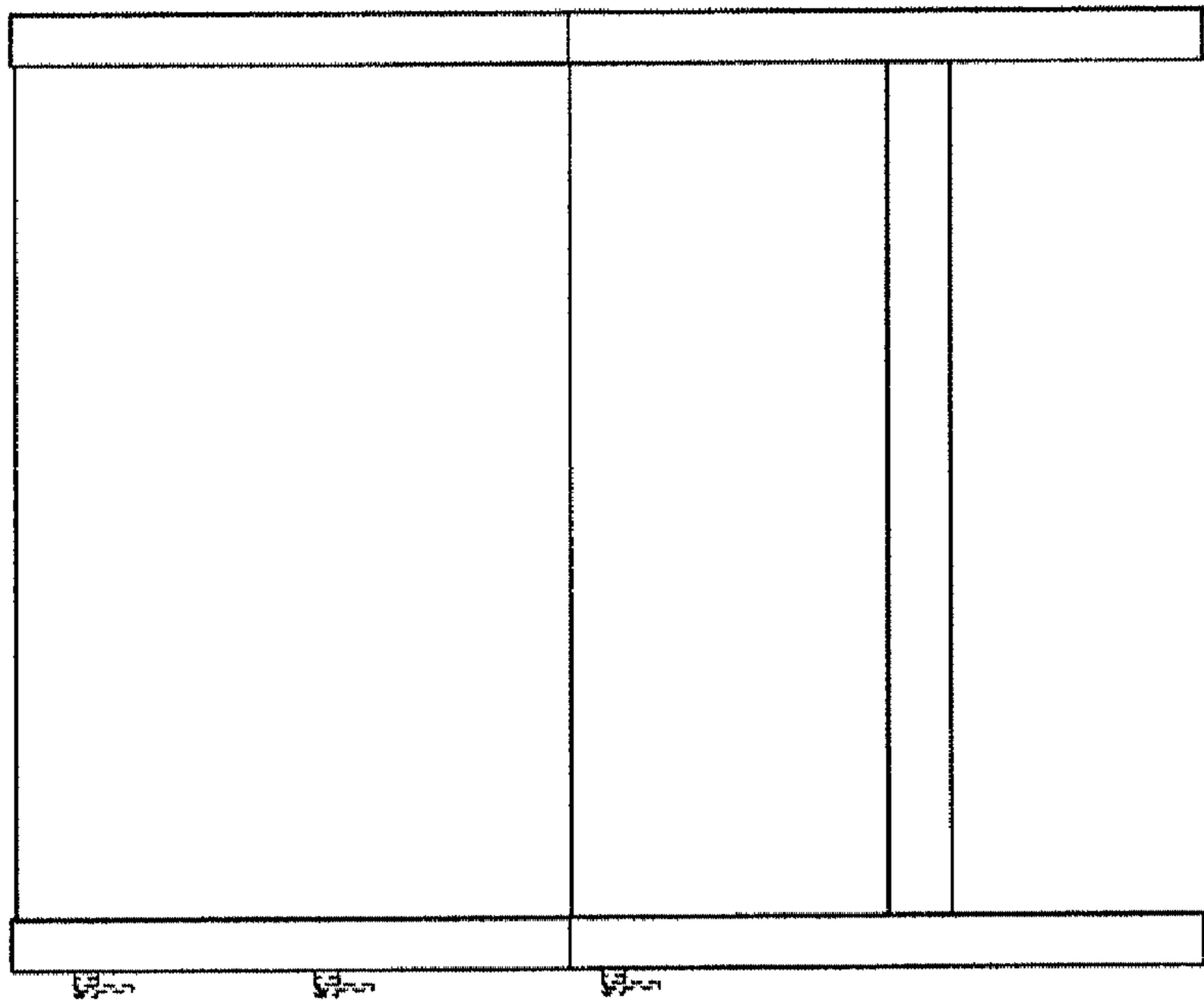


FIG. 4

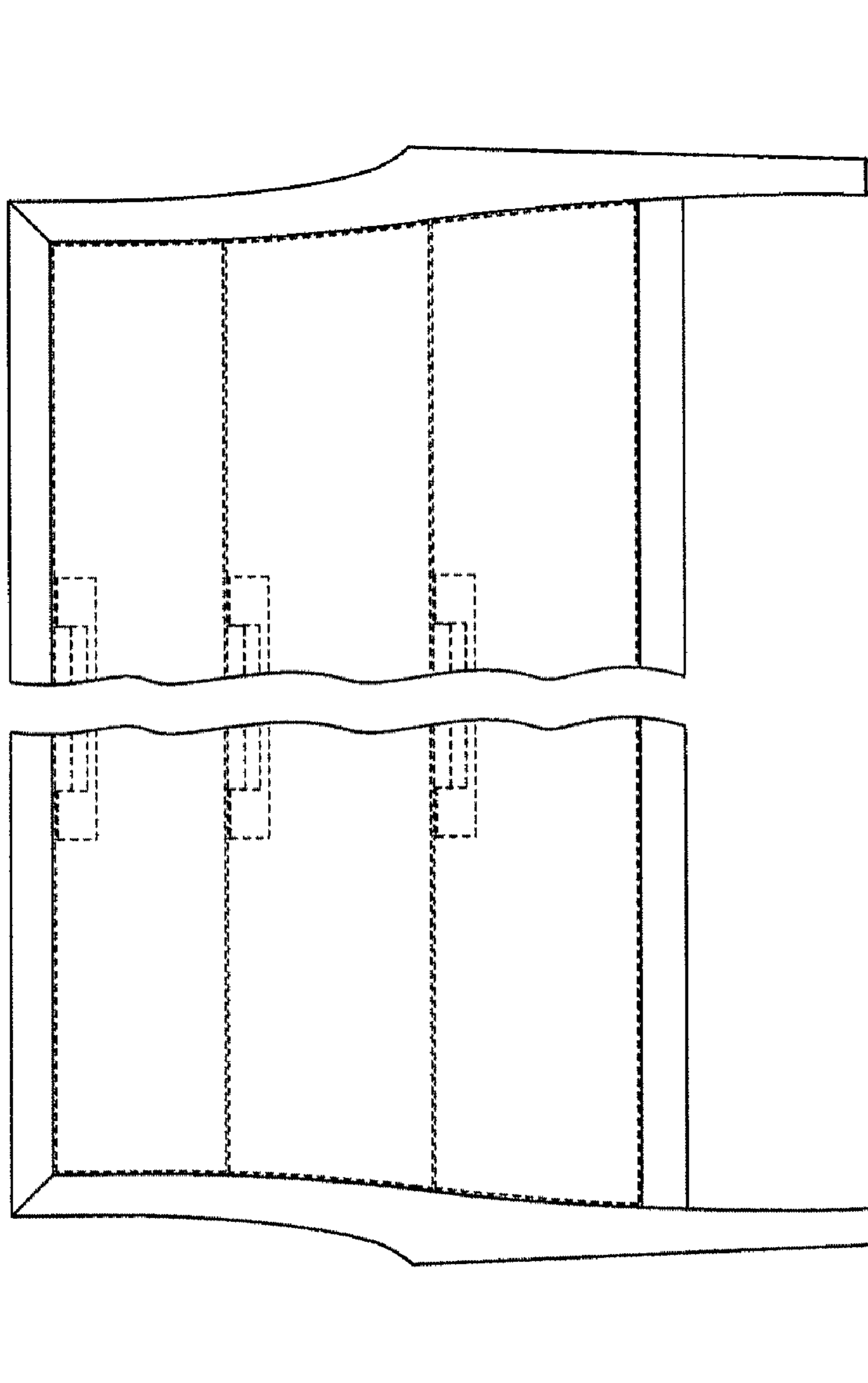


FIG. 5