



US00D590632S

(12) **United States Design Patent**
Zak et al.

(10) **Patent No.:** **US D590,632 S**
(45) **Date of Patent:** **** Apr. 21, 2009**

(54) **COMBINED COOLER AND TABLE**

(75) Inventors: **Zvi Zak**, Herzlia (IL); **Dafna-Sarit Reis**,
Tel Aviv (IL)

(73) Assignee: **Keter Plastic Ltd.**, Herzelyia (IL)

(**) Term: **14 Years**

(21) Appl. No.: **29/309,859**

(22) Filed: **Oct. 28, 2008**

(51) **LOC (9) Cl.** **06-04**

(52) **U.S. Cl.** **D6/441**

(58) **Field of Classification Search** D6/397,
D6/432-448, 480, 481, 495; 312/138.1,
312/204, 257.1, 290; D7/388; 62/3.2, 258;
217/56, 57; D3/230

See application file for complete search history.

(56) **References Cited**

U.S. PATENT DOCUMENTS

414,623	A *	11/1889	Winters	217/57
D62,957	S *	8/1923	Lillie	D6/441
D152,143	S *	12/1948	Douglas	D6/441
D192,568	S *	4/1962	Anderson	D6/434
D193,194	S *	7/1962	Black	D6/438
4,848,091	A	7/1989	Border		
D316,187	S *	4/1991	Rodgers	D3/230

5,025,639	A	6/1991	Thomas		
D329,151	S *	9/1992	Baer	D6/433
D376,068	S	12/1996	Coy		
D503,068	S *	3/2005	May et al.	D7/388

* cited by examiner

Primary Examiner—Mimosa De

(74) *Attorney, Agent, or Firm*—The Nath Law Group; Jerald L. Meyer; Derek Richmond

(57) **CLAIM**

What is claimed is the ornamental design for a combined cooler and table, as shown and described.

DESCRIPTION

FIG. 1 is a perspective view at a closed position of a combined cooler and table;

FIG. 2 is a perspective view at an opened position of a combined cooler and table;

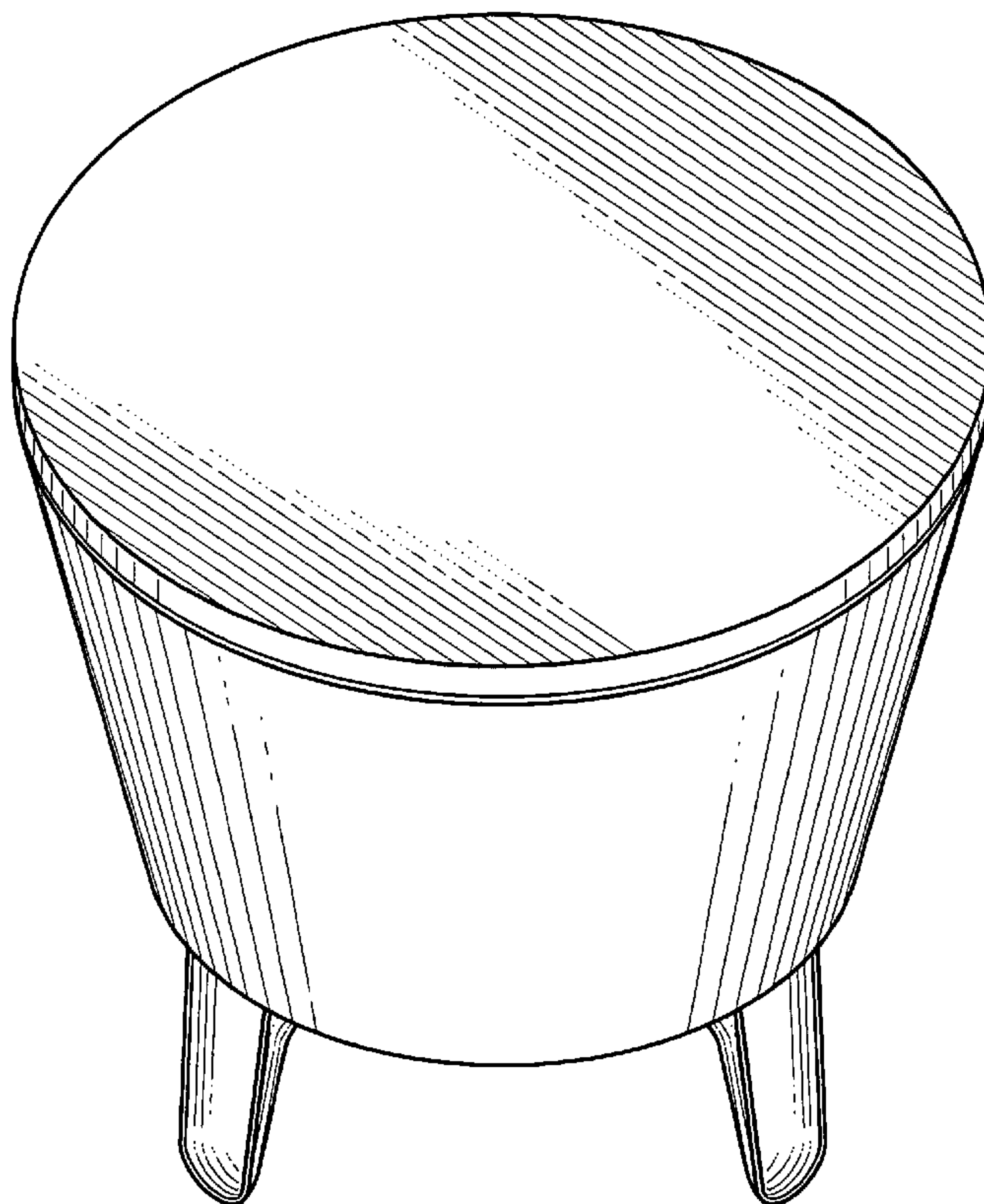
FIG. 3 is a side view at a closed position thereof;

FIG. 4 is a side view at an opened position thereof;

FIG. 5 is a top view at an opened position thereof; the top view at a closed position is identical; and,

FIG. 6 is a bottom view at an opened position thereof; the bottom view at a closed position is identical.

1 Claim, 6 Drawing Sheets



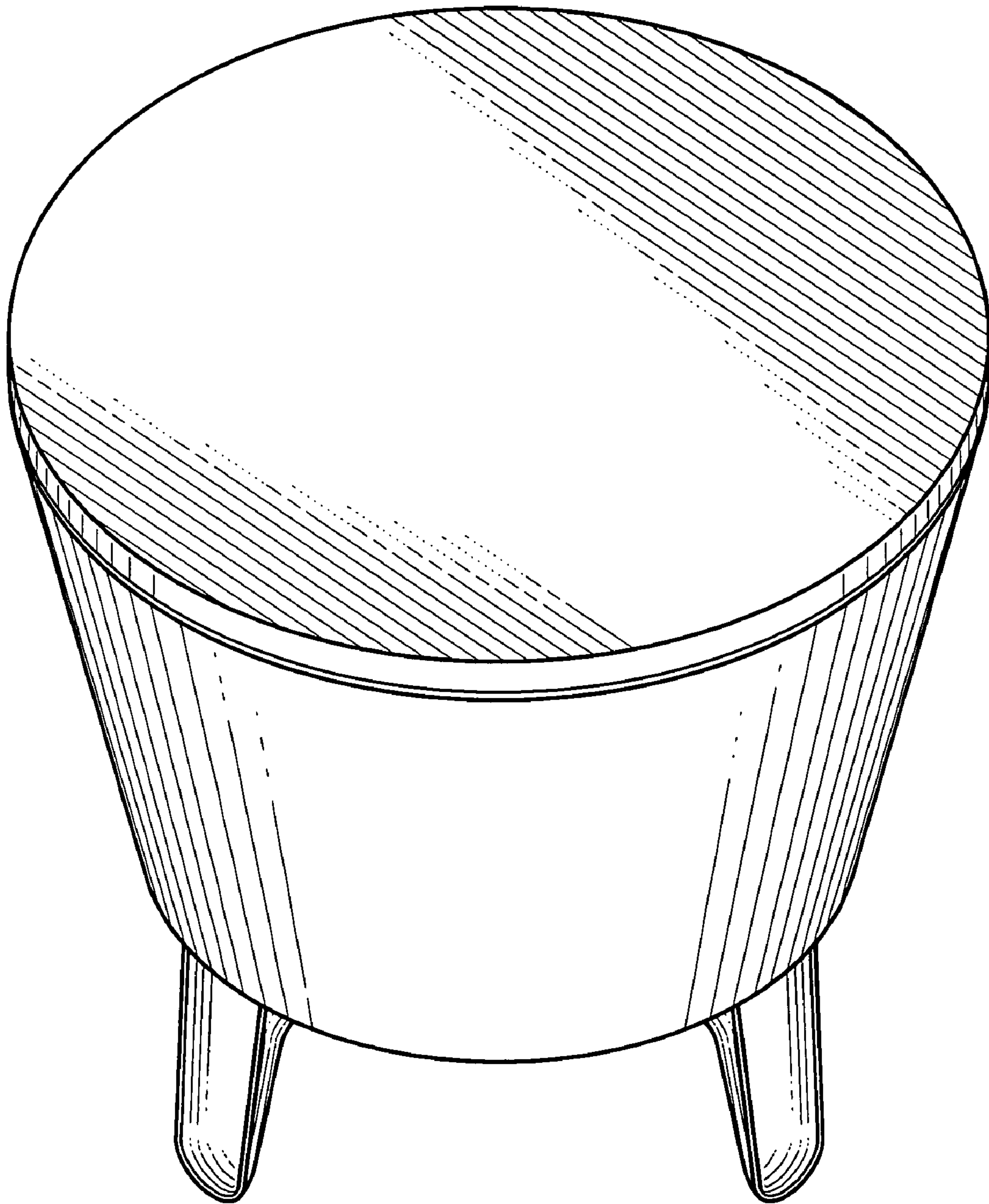


Fig. 1

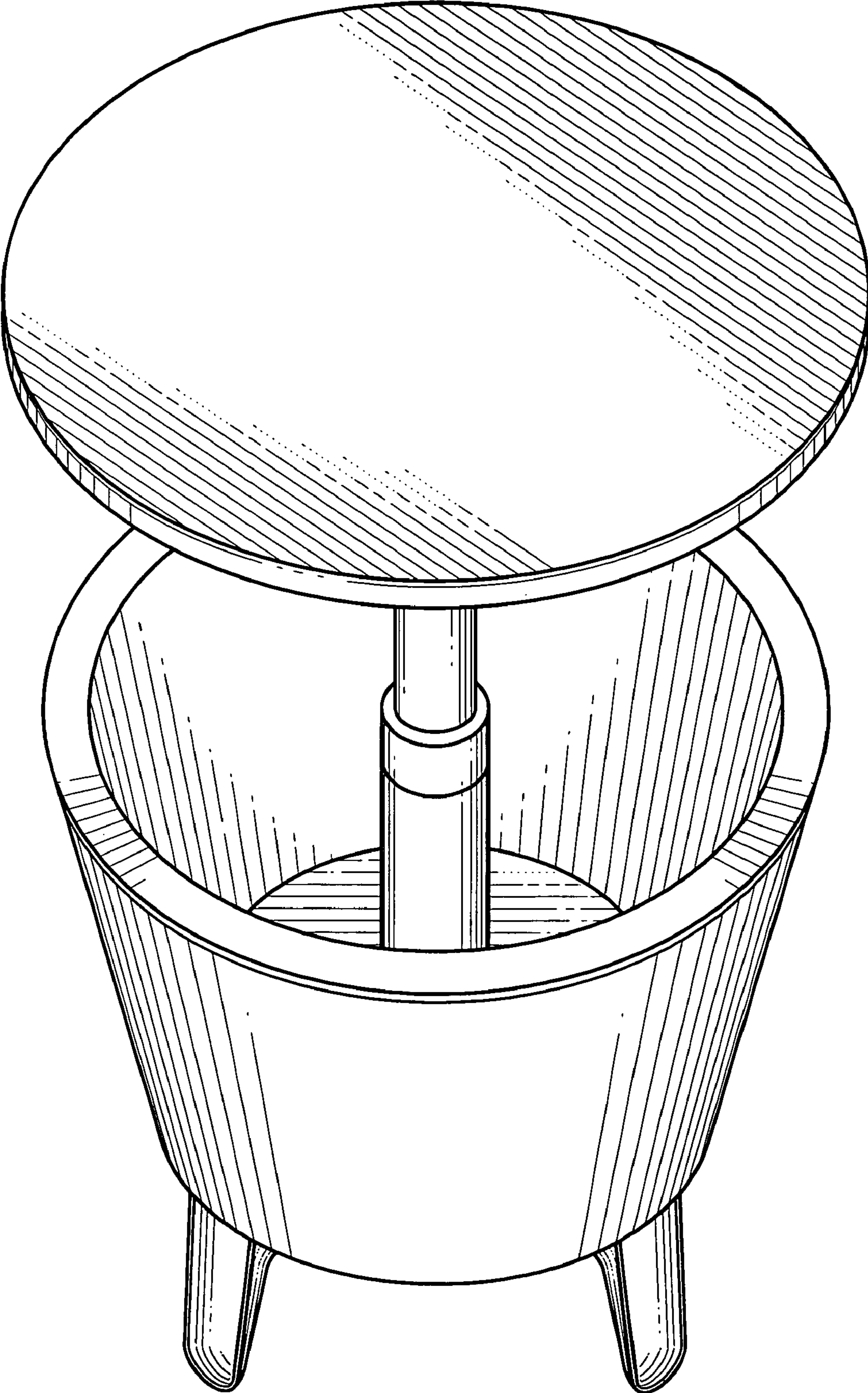


Fig. 2

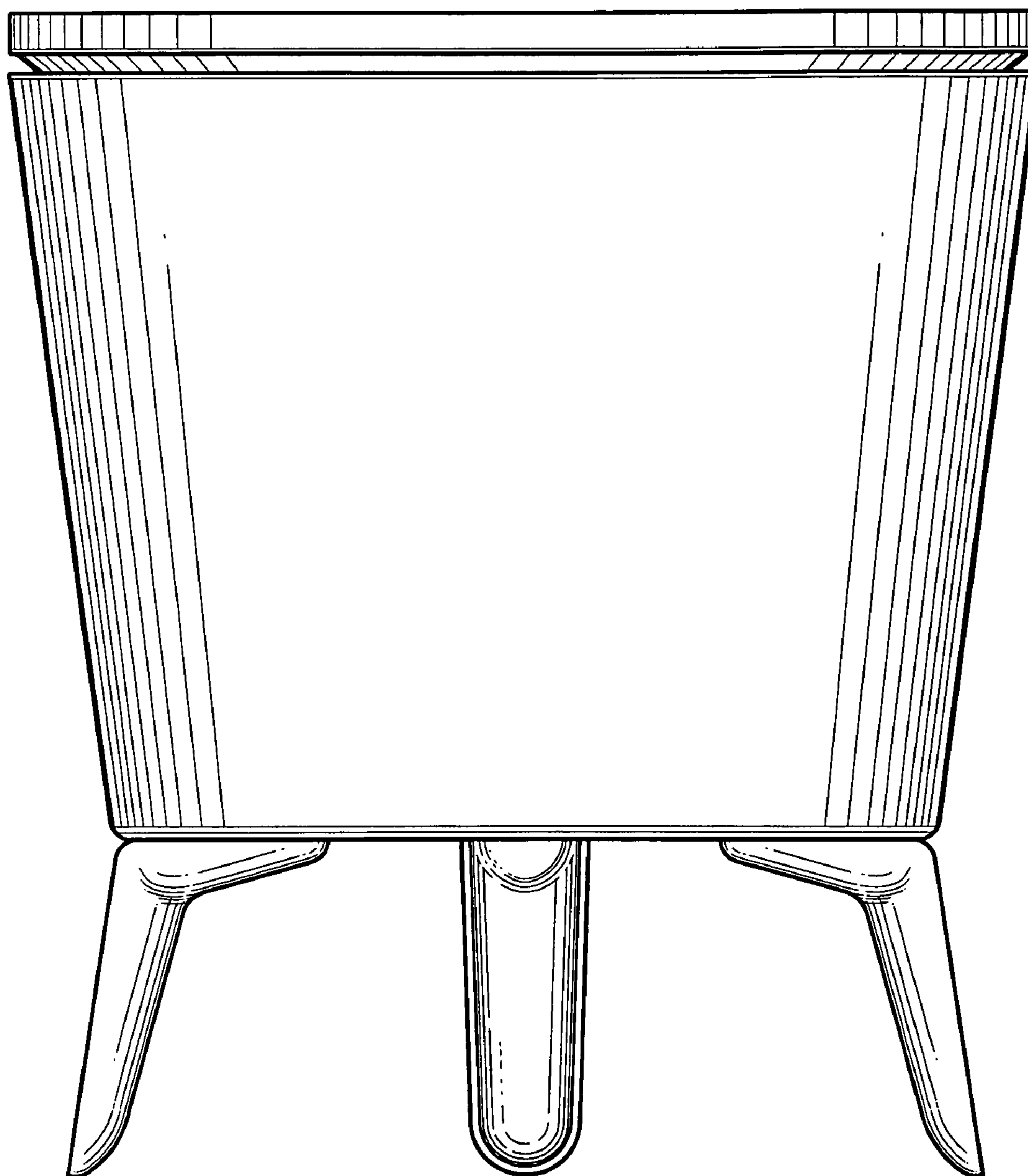


Fig. 3

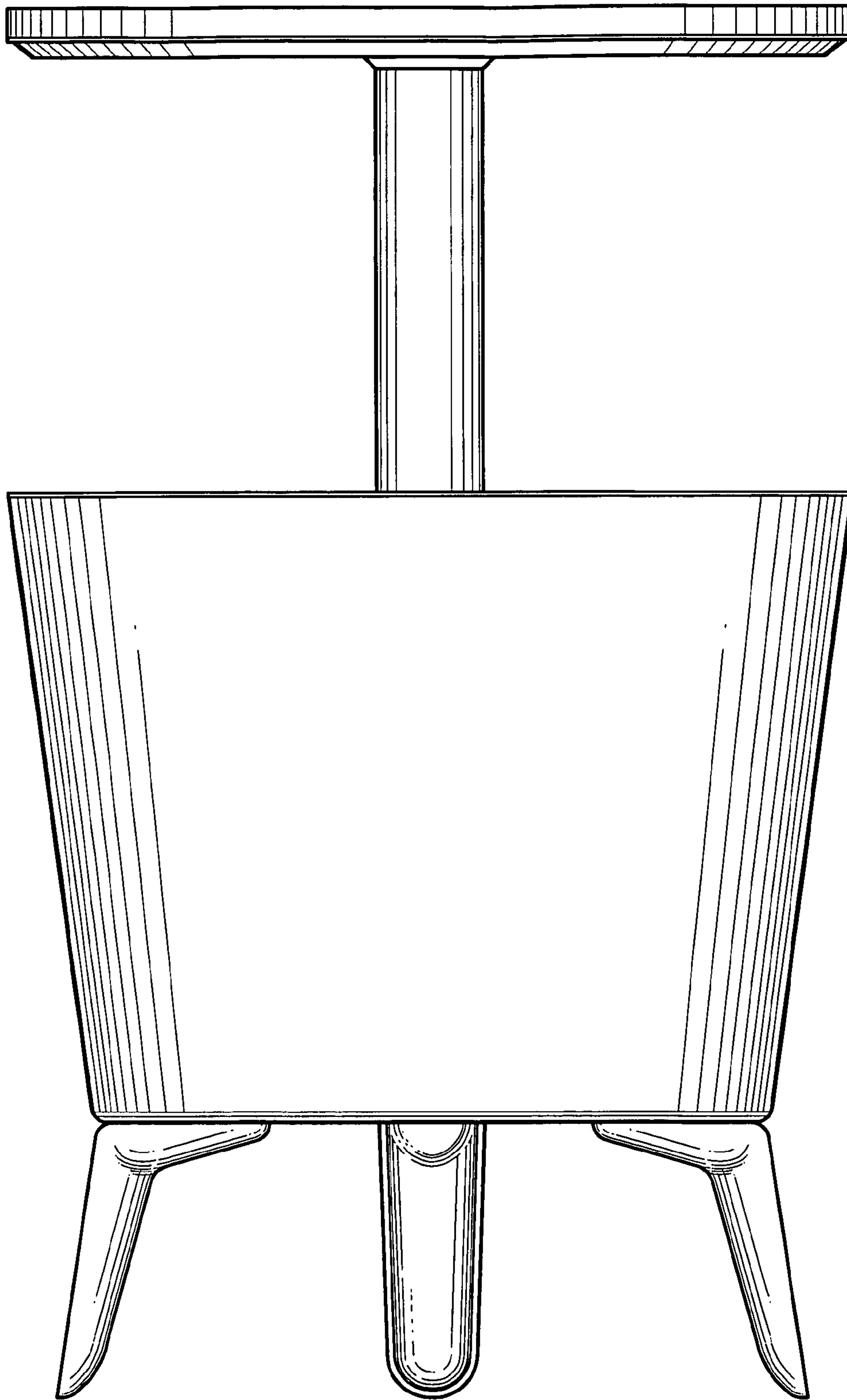


Fig. 4

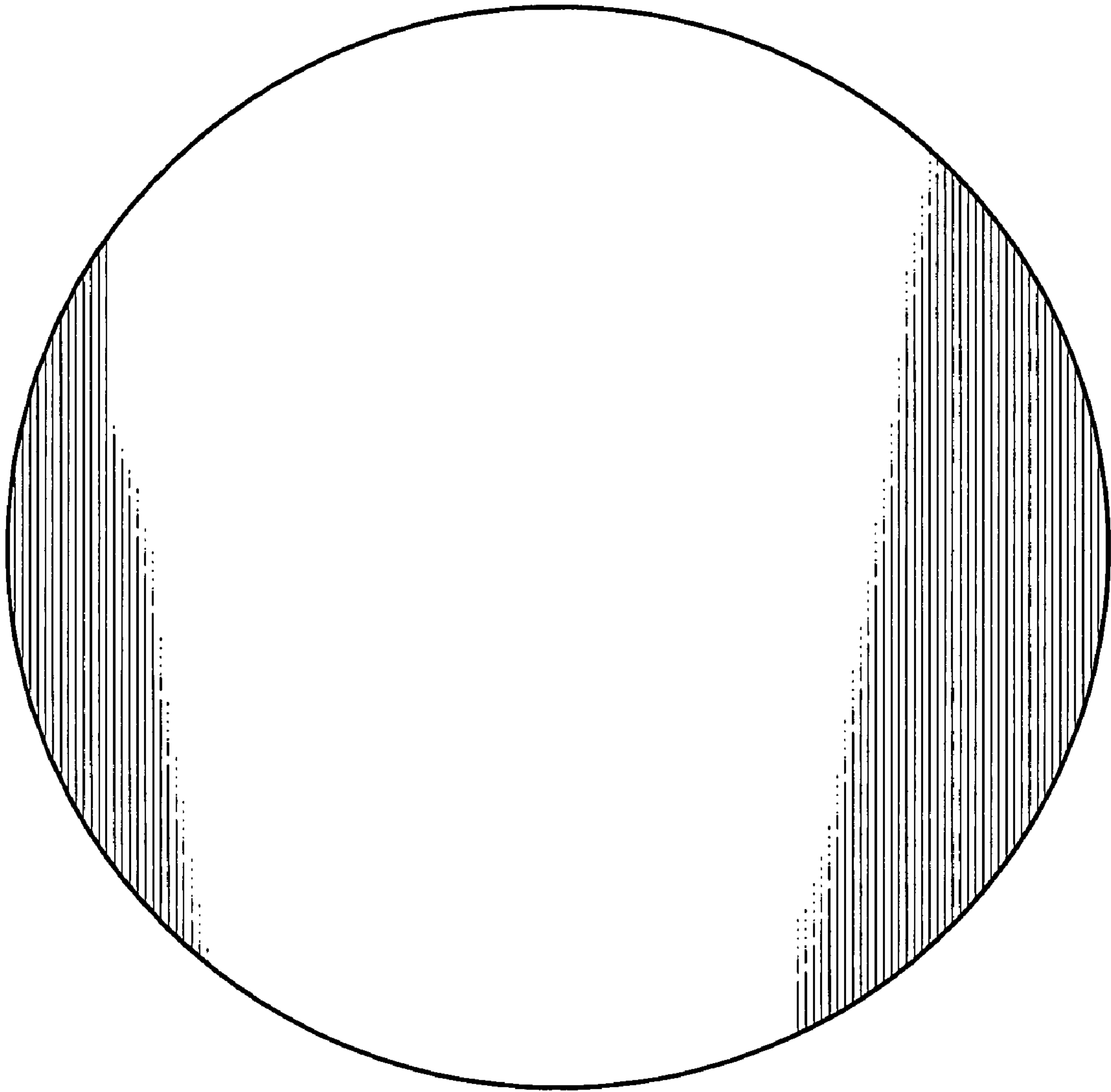


Fig. 5

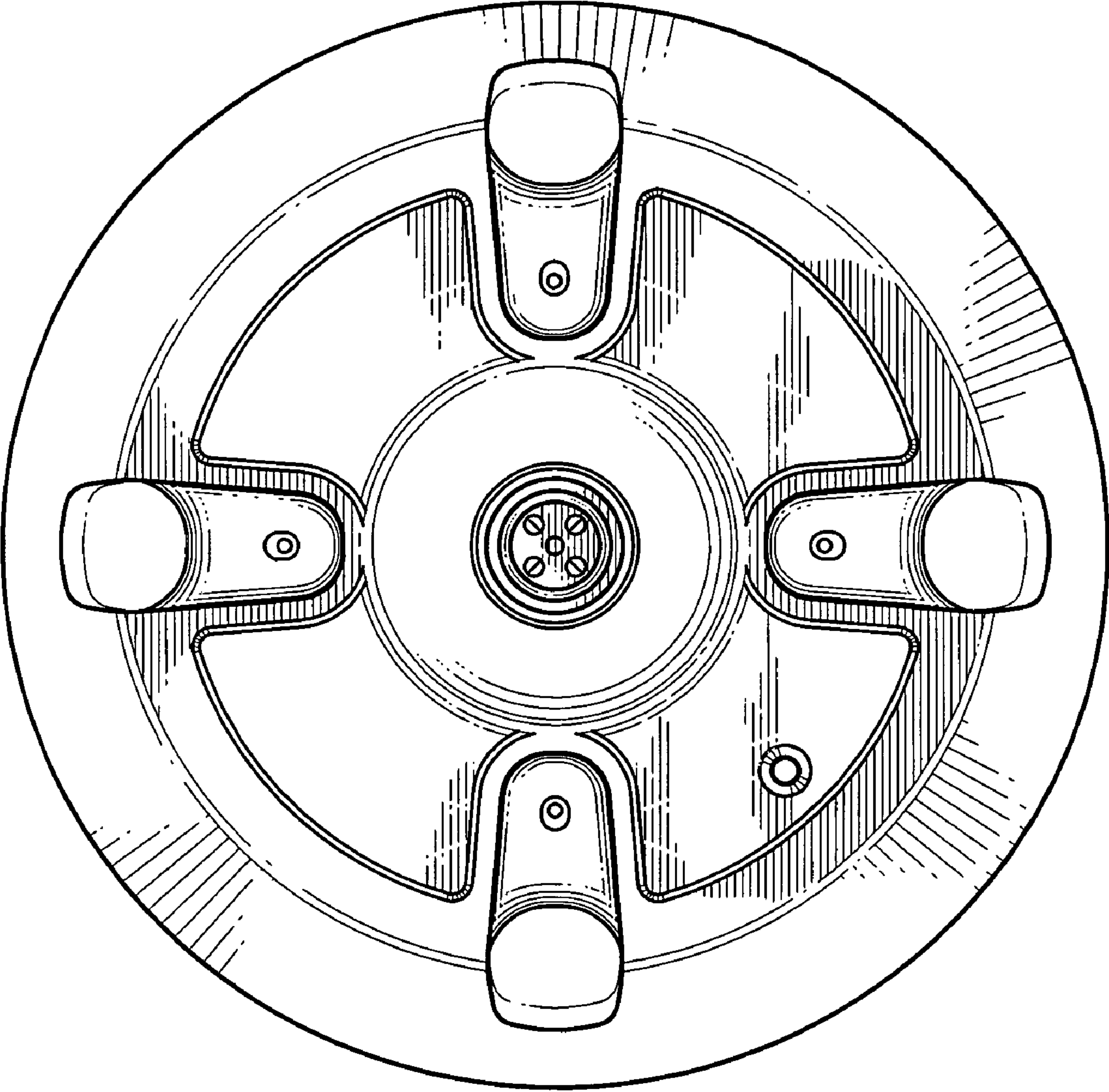


Fig. 6