



US00D590630S

(12) **United States Design Patent**  
**Singler et al.**

(10) **Patent No.:** **US D590,630 S**  
(45) **Date of Patent:** **\*\* Apr. 21, 2009**

(54) **DISPLAY STRUCTURE**

(75) Inventors: **Ronald David Singler**, Seattle, WA  
(US); **Christian John Jochman**, Seattle,  
WA (US)

(73) Assignee: **Microsoft Corporation**, Redmond, WA  
(US)

(\*\*) Term: **14 Years**

(21) Appl. No.: **29/320,545**

(22) Filed: **Jun. 27, 2008**

(51) **LOC (9) Cl.** ..... **06-04**

(52) **U.S. Cl.** ..... **D6/432**

(58) **Field of Classification Search** ..... D6/396,  
D6/431-450, 470-474, 477-479; D23/271;  
D34/14; 211/41.41, 42, 74, 90.01, 133.1;  
312/7.2, 9.1, 107-108, 117-118, 204, 224,  
312/237, 257.1, 241, 278-279

See application file for complete search history.

(56) **References Cited**

**U.S. PATENT DOCUMENTS**

D144,844 S *	5/1946	Dunham	.....	D6/474
D218,325 S *	8/1970	Sherman	.....	D6/431
D250,868 S *	1/1979	Ornatek	.....	D6/445
4,417,774 A *	11/1983	Bevan et al.	.....	312/108
D288,997 S *	3/1987	Kraynak	.....	D6/474
D300,094 S *	3/1989	Meyers	.....	D6/450

D323,944 S *	2/1992	Maas	.....	D6/436
D331,100 S *	11/1992	Jacobsen et al.	.....	D23/271
5,577,817 A *	11/1996	Reynolds	.....	312/107
6,186,607 B1 *	2/2001	Remby	.....	312/257.1
D501,284 S *	1/2005	Mount	.....	D34/14
D567,535 S *	4/2008	Hentschker	.....	D6/436
D579,229 S *	10/2008	De La Serve et al.	.....	D6/396

\* cited by examiner

*Primary Examiner*—Caron Veynar

*Assistant Examiner*—Ricky Pham

(74) *Attorney, Agent, or Firm*—Banner & Witcoff, Ltd.

(57) **CLAIM**

The ornamental design for a display structure, as shown and described.

**DESCRIPTION**

FIG. 1 is a front perspective view of the display structure showing the new design;

FIG. 2 is a front view thereof;

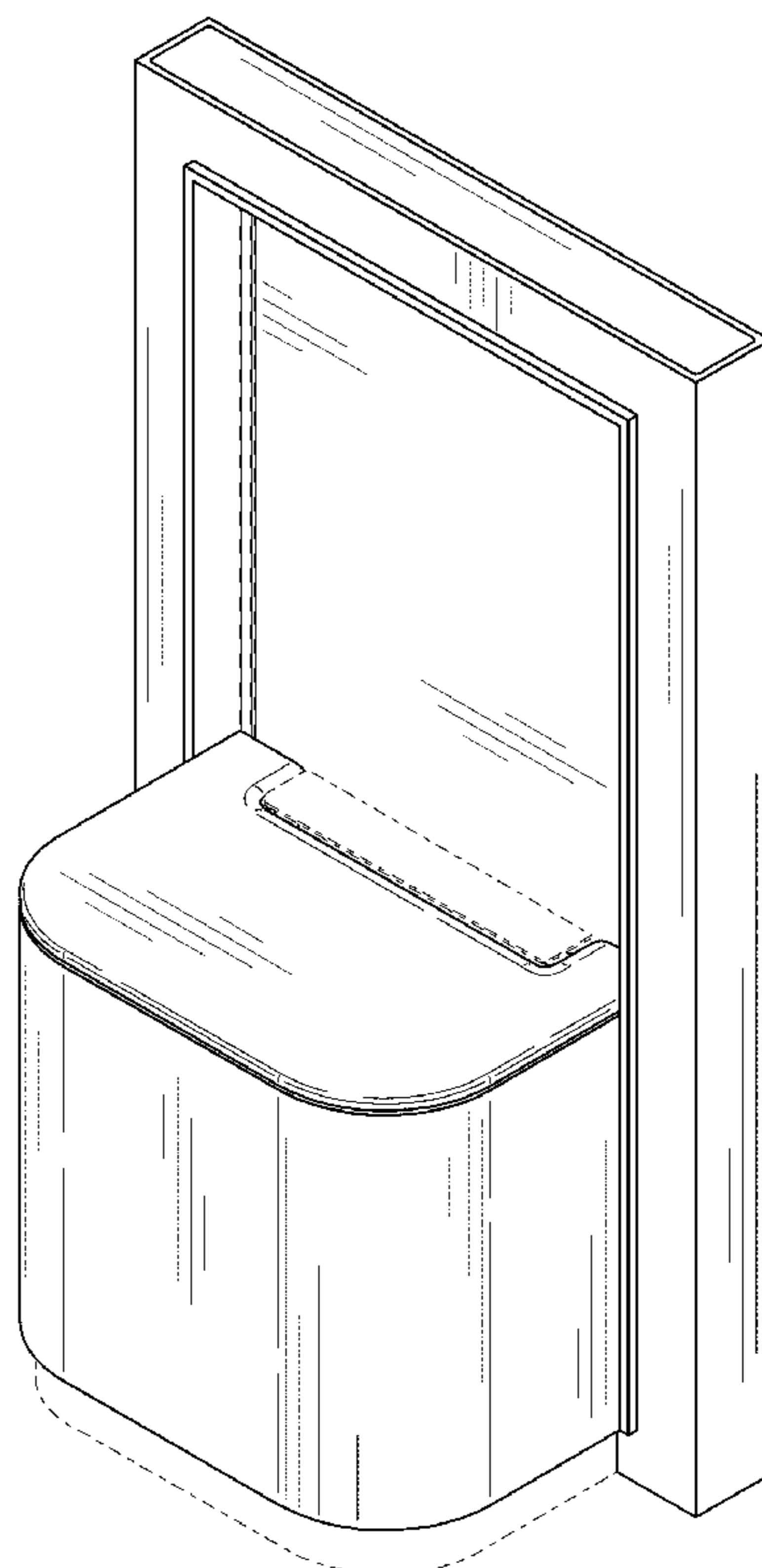
FIG. 3 is a right side view thereof;

FIG. 4 is a left side view thereof; and,

FIG. 5 is a top view thereof.

The broken line showing of various regions and the unshaded areas there within are for illustrative purposes only and forms no part of the claimed design.

**1 Claim, 3 Drawing Sheets**



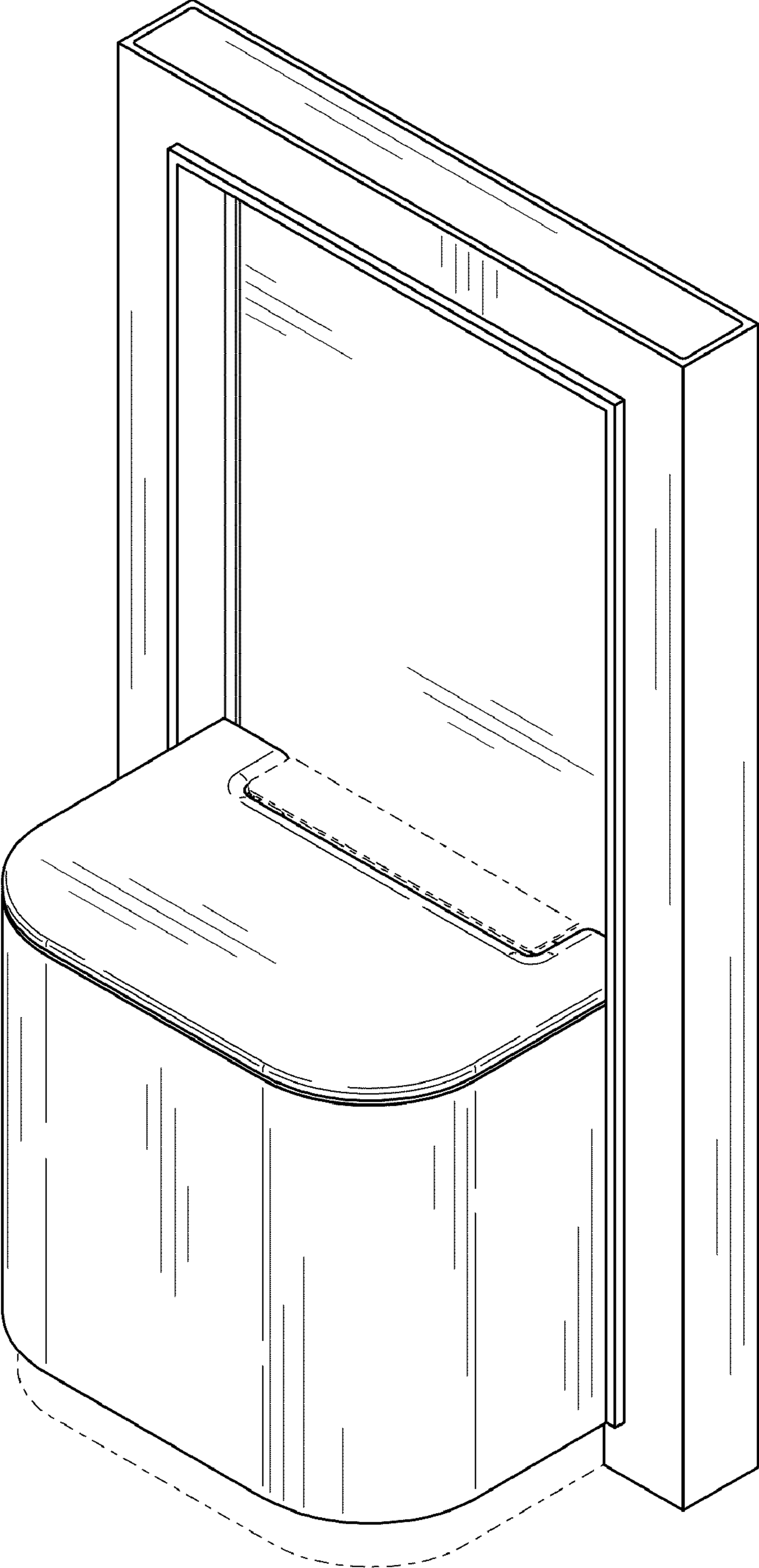


FIG. 1

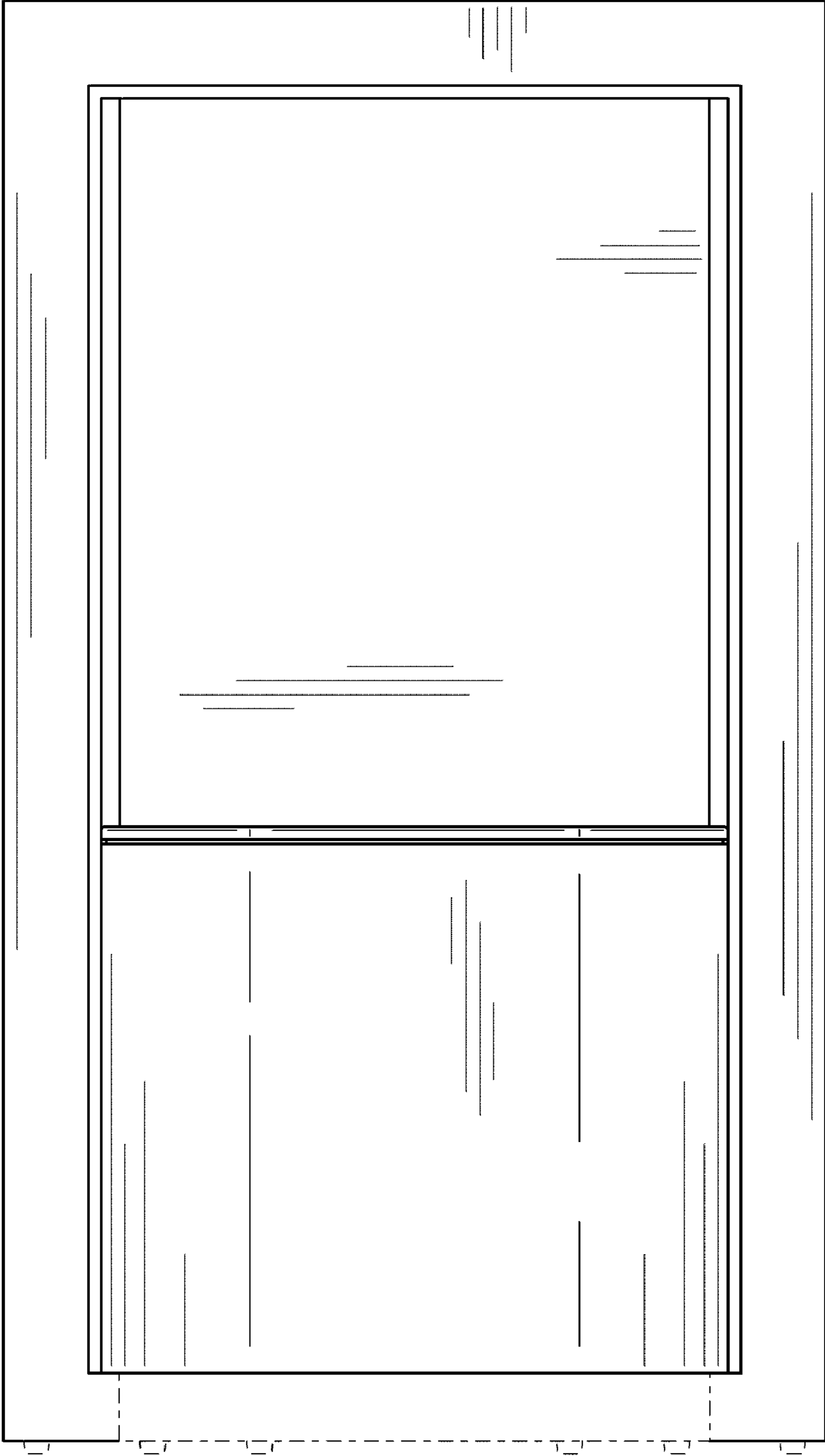


FIG. 2

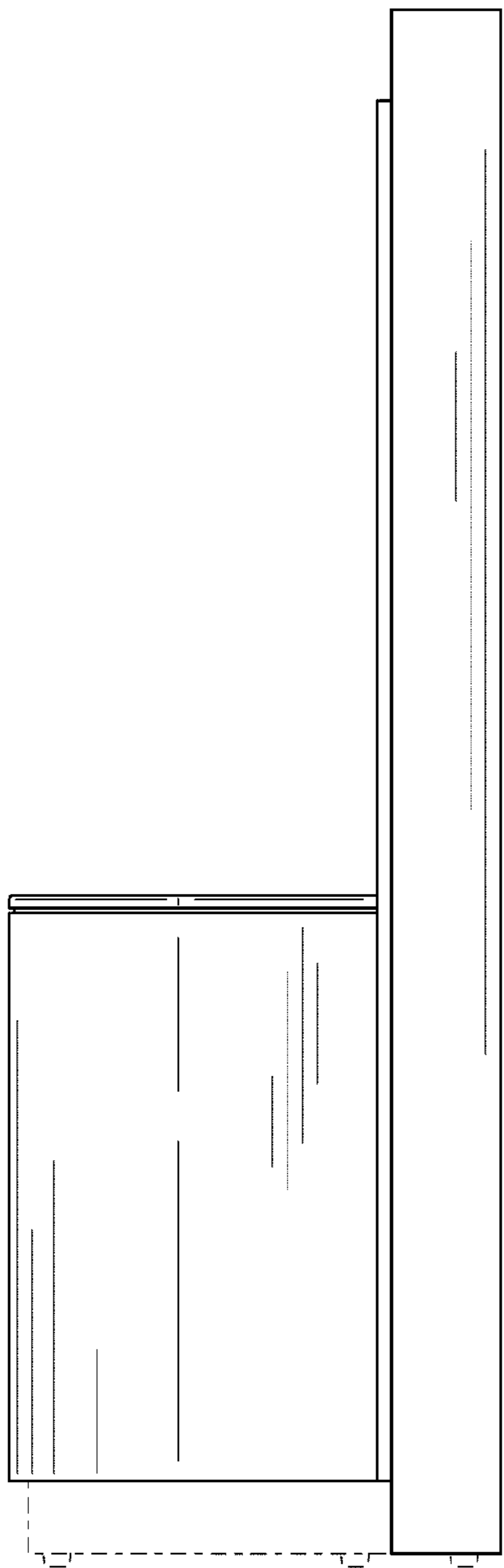


FIG. 3

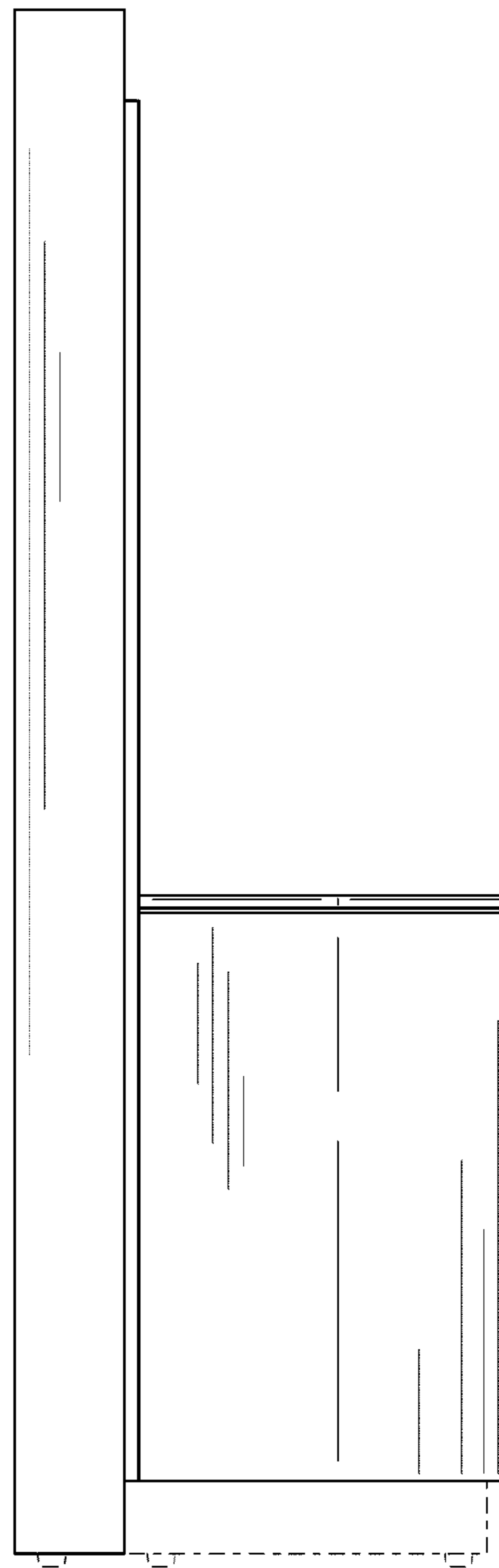


FIG. 4

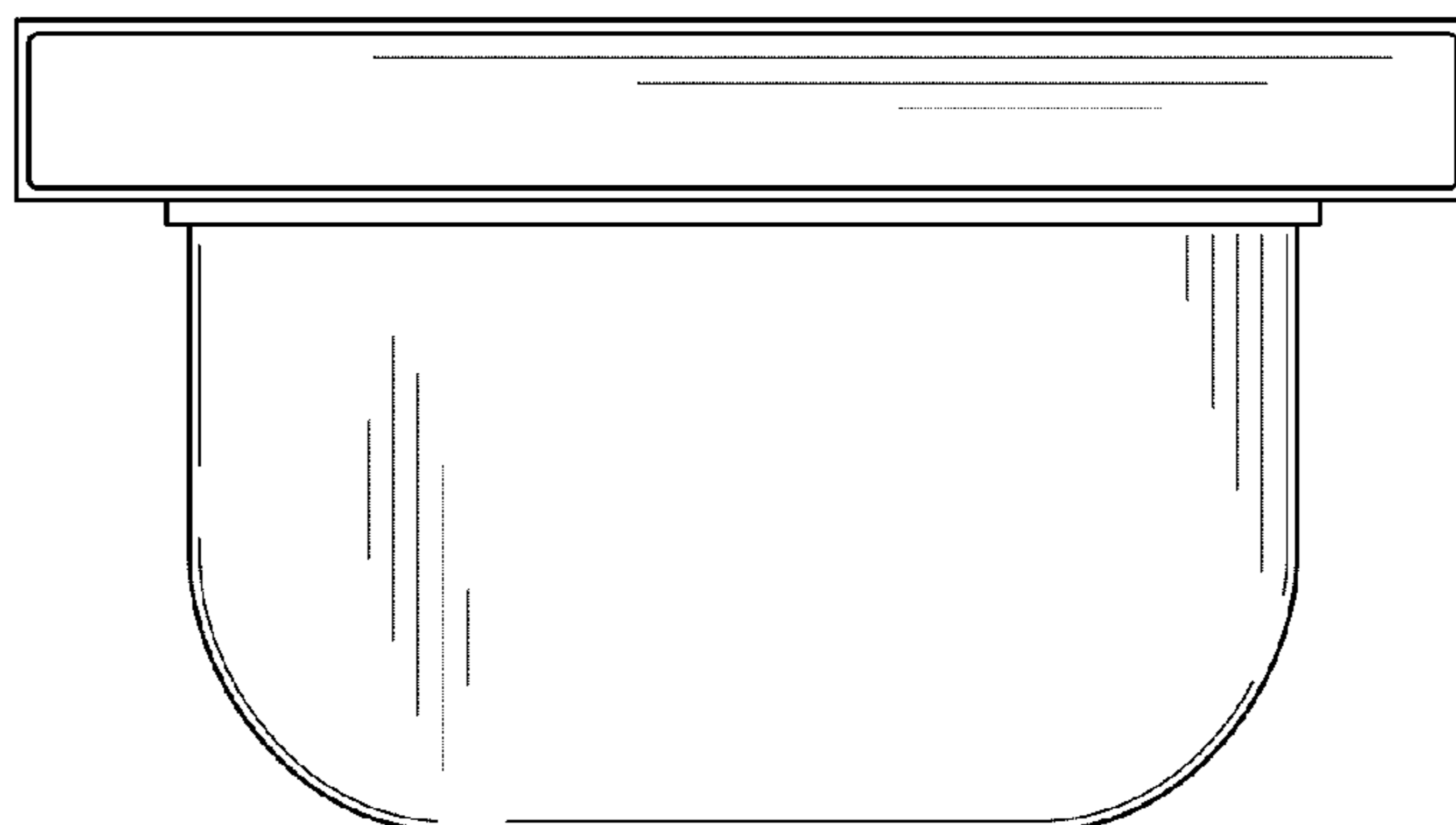


FIG. 5