



US00D590628S

(12) **United States Design Patent**  
**Greiner**

(10) **Patent No.:** **US D590,628 S**

(45) **Date of Patent:** **\*\* \*Apr. 21, 2009**

(54) **SWIVEL ORGANIZER**

(75) Inventor: **Lori Greiner**, Chicago, IL (US)

(73) Assignee: **For Your Ease Only, Inc.**, Chicago, IL (US)

(\* ) Notice: This patent is subject to a terminal disclaimer.

(\*\*) Term: **14 Years**

(21) Appl. No.: **29/295,134**

(22) Filed: **Sep. 21, 2007**

(51) **LOC (9) Cl.** ..... **06-06**

(52) **U.S. Cl.** ..... **D6/432**

(58) **Field of Classification Search** ..... D6/397,  
D6/425-426, 429, 432-448, 455, 470, 474,  
D6/477-480, 484, 559; D99/35; 108/103;  
211/85.2, 95, 163; 242/559.3; 312/108,  
312/114, 138.1, 194, 198, 204, 257.1, 263,  
312/278-279, 293.2, 321.5, 334.36, 348.4  
See application file for complete search history.

(56) **References Cited**

U.S. PATENT DOCUMENTS

1,214,676 A	2/1917	Hertzog	
D90,357 S	7/1933	Bradbury	
D157,990 S	4/1950	Mannen	
D165,833 S	2/1952	Gaither	
D217,558 S *	5/1970	Hamilton	D6/446
D233,087 S	10/1974	Martin	
3,860,307 A	1/1975	Fostel	
3,866,824 A	2/1975	Lewis	
D237,234 S *	10/1975	Wertz	D6/559
4,058,356 A	11/1977	Michal	
4,300,809 A	11/1981	Brownlee	
4,463,856 A	8/1984	Strasser	
4,753,495 A	6/1988	Swink	

FOREIGN PATENT DOCUMENTS

CN	2421894 Y	3/2001
EP	1803367 A1	4/2007
GB	2345630 A	7/2000

OTHER PUBLICATIONS

U.S. Appl. No. 11/768,979, filed Jun. 27, 2007, Title "Tri-Fold Mirror Organizer", Inventor Lori Greiner.

(Continued)

*Primary Examiner*—Caron Veynar

*Assistant Examiner*—Ricky Pham

(74) *Attorney, Agent, or Firm*—Fredrikson & Byron, P.A.

(57) **CLAIM**

I claim the ornamental design for a swivel organizer, as shown and described.

**DESCRIPTION**

FIG. 1 is a perspective view of my new design for a swivel organizer;

FIG. 2 is a perspective view of my new design for a swivel organizer with the top portion slightly rotated;

FIG. 3 is a side perspective view thereof with side and back doors open, the other side perspective view being a mirror image of that shown;

FIG. 4 is a front elevation view thereof with all doors closed;

FIG. 5 is a right side elevation view thereof with all the doors closed;

FIG. 6 is a rear elevation view thereof with all the doors closed;

FIG. 7 is a left side elevation view thereof with all the doors closed;

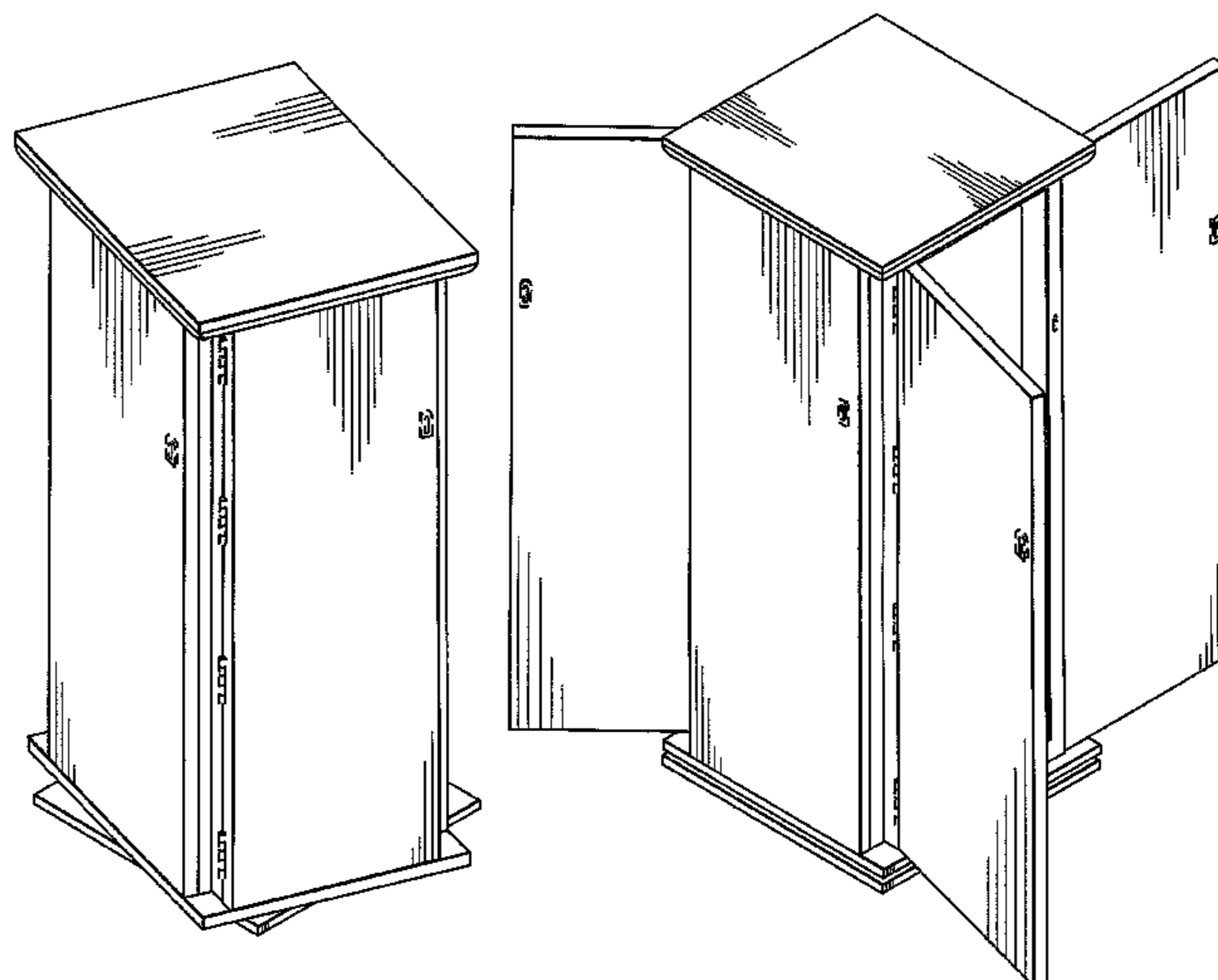
FIG. 8 is a top plan view thereof; and,

FIG. 9 is a bottom plan view thereof.

The broken lines shown in the drawings are for illustrative purposes only and form no part of the claimed design.

(Continued)

**1 Claim, 8 Drawing Sheets**



U.S. PATENT DOCUMENTS

4,884,655	A	12/1989	Freadman et al.	
D319,154	S	8/1991	Powell	
D319,155	S	8/1991	Powell	
5,243,434	A	9/1993	Nodama	
D351,517	S	10/1994	Rickards	
D368,583	S	4/1996	Sharer et al.	
5,542,758	A	8/1996	Brown	
D377,278	S	1/1997	Putterman et al.	
D383,278	S	9/1997	Jennings	
D383,937	S	* 9/1997	Myers .....	D6/559
D387,236	S	12/1997	Madonna	
D401,780	S	* 12/1998	Simon et al. ....	D6/445
D403,530	S	1/1999	Lin	
5,870,858	A	2/1999	Manuel	
5,887,818	A	* 3/1999	Kelley .....	242/559.3
D416,708	S	* 11/1999	Walker .....	D6/429
6,042,077	A	3/2000	Shoesmith	
D436,481	S	1/2001	Harwanko	
D441,985	S	5/2001	Melillo	
D446,407	S	8/2001	Melillo	
D459,617	S	7/2002	Winter et al.	
D459,618	S	* 7/2002	Winter et al. ....	D6/470
D461,972	S	* 8/2002	Everett .....	D6/448
D483,964	S	12/2003	Bates	
D486,338	S	* 2/2004	Walker .....	D6/559
D488,323	S	4/2004	Clucas	
D489,197	S	* 5/2004	Harwanko .....	D6/432
D492,857	S	7/2004	Harwanko	
D493,046	S	* 7/2004	McDiarmid .....	D6/470
D501,100	S	1/2005	Walker	
D501,101	S	* 1/2005	Harwanko .....	D6/448
D504,265	S	4/2005	Walker	
D504,266	S	* 4/2005	Clucas .....	D6/559
D509,392	S	* 9/2005	Walker .....	D6/559
D513,143	S	* 12/2005	Walker .....	D6/559
D516,834	S	* 3/2006	Masseh, Jr. ....	D6/432
D522,269	S	6/2006	Walker	
D528,840	S	9/2006	Greiner	
D530,118	S	10/2006	Del Castillo et al.	
D549,425	S	* 8/2007	Burns .....	D99/35
D553,876	S	* 10/2007	Walker .....	D6/432
D557,517	S	* 12/2007	Greiner .....	D6/432
D557,518	S	* 12/2007	Greiner .....	D6/432
D557,930	S	* 12/2007	Greiner .....	D6/432
D557,939	S	* 12/2007	Greiner .....	D6/470
D558,482	S	* 1/2008	Greiner .....	D6/432
D569,129	S	* 5/2008	Greiner .....	D6/470
D569,658	S	* 5/2008	Greiner .....	D6/470
D569,659	S	* 5/2008	Greiner .....	D6/470
2004/0000848	A1	1/2004	Greiner	
2007/0145868	A1	6/2007	Greiner	

OTHER PUBLICATIONS

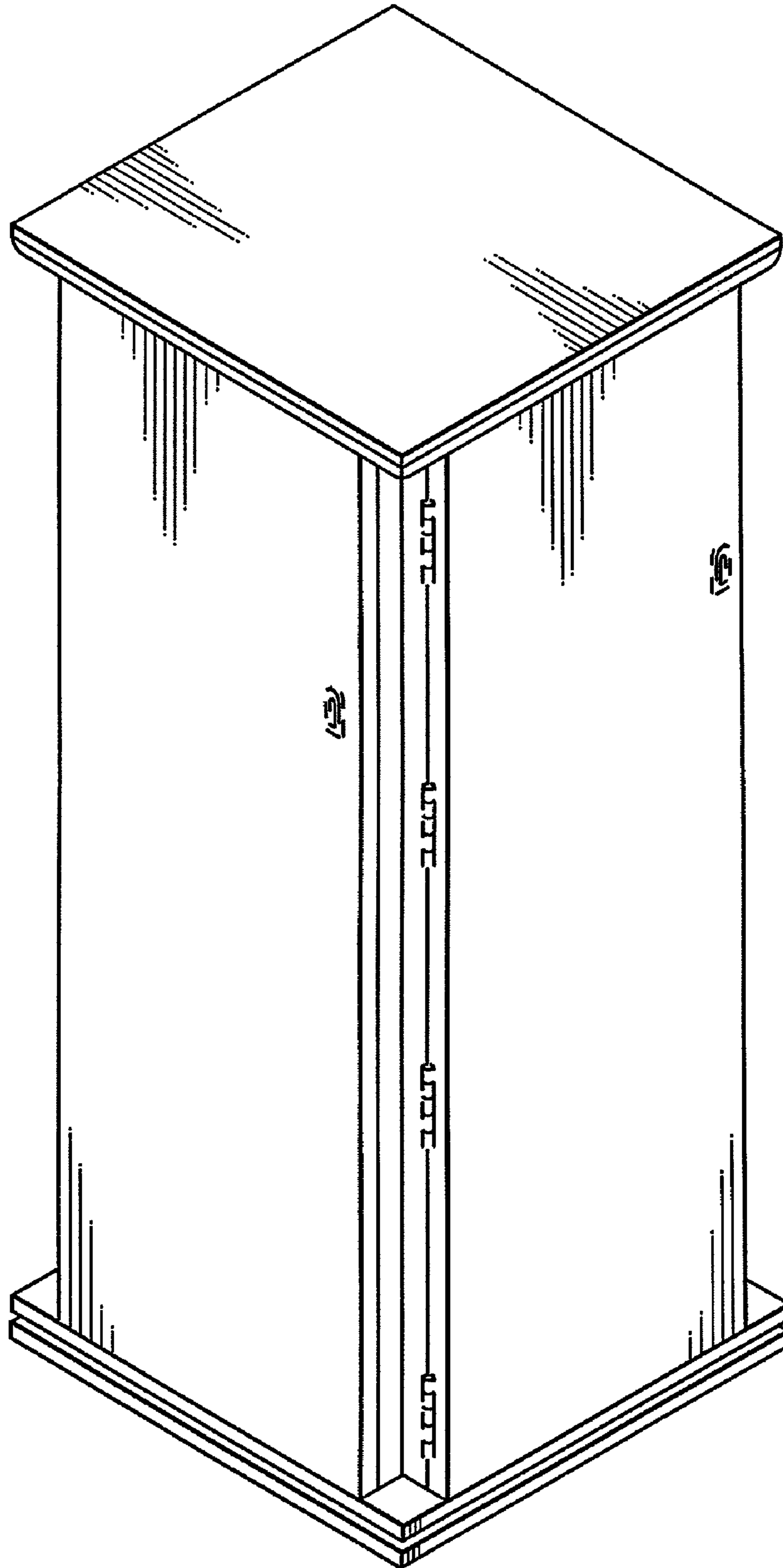
U.S. Appl. No. 11/610,170, filed Dec. 13, 2006, Title "Tri-Fold Mirror Swivel Organizer", Inventor Lori Greiner.  
 U.S. Appl. No. 29/295,087, filed Sep. 21, 2007, Title "Swivel Organizer", Inventor Lori Greiner.

U.S. Appl. No. 29/295,095, filed Sep. 21, 2007, Title "Swivel Organizer", Inventor Lori Greiner.  
 U.S. Appl. No. 29/295,097, filed Sep. 21, 2007, Title "Swivel Organizer", Inventor Lori Greiner.  
 U.S. Appl. No. 29/295,098, filed Sep. 21, 2007, Title "Swivel Organizer", Inventor Lori Greiner.  
 U.S. Appl. No. 29/295,101, filed Sep. 21, 2007, Title "Swivel Organizer", Inventor Lori Greiner.  
 U.S. Appl. No. 29/295,104, filed Sep. 21, 2007, Title "Swivel Organizer", Inventor Lori Greiner.  
 U.S. Appl. No. 29/295,106, filed Sep. 21, 2007, Title "Swivel Organizer", Inventor Lori Greiner.  
 U.S. Appl. No. 29/295,110, filed Sep. 21, 2007, Title "Swivel Organizer", Inventor Lori Greiner.  
 U.S. Appl. No. 29/295,113, filed Sep. 21, 2007, Title "Swivel Organizer", Inventor Lori Greiner.  
 U.S. Appl. No. 29/295,115, filed Sep. 21, 2007, Title "Swivel Organizer", Inventor Lori Greiner.  
 U.S. Appl. No. 29/295,118, filed Sep. 21, 2007, Title "Swivel Organizer", Inventor Lori Greiner.  
 U.S. Appl. No. 29/295,119, filed Sep. 21, 2007, Title "Swivel Organizer", Inventor Lori Greiner.  
 U.S. Appl. No. 29/295,121, filed Sep. 21, 2007, Title "Swivel Organizer", Inventor Lori Greiner.  
 U.S. Appl. No. 29/295,123, filed Sep. 21, 2007, Title "Swivel Organizer", Inventor Lori Greiner.  
 U.S. Appl. No. 29/295,124, filed Sep. 21, 2007, Title "Swivel Organizer", Inventor Lori Greiner.  
 U.S. Appl. No. 29/295,128, filed Sep. 21, 2007, Title "Swivel Organizer", Inventor Lori Greiner.  
 U.S. Appl. No. 29/295,136, filed Sep. 21, 2007, Title "Swivel Organizer", Inventor Lori Greiner.  
 U.S. Appl. No. 29/295,139, filed Sep. 21, 2007, Title "Swivel Organizer", Inventor Lori Greiner.  
 U.S. Appl. No. 29/295,141, filed Sep. 21, 2007, Title "Swivel Organizer", Inventor Lori Greiner.  
 U.S. Appl. No. 29/263,540, filed Jul. 25, 2006, Title "Swivel Organizer", Inventor Lori Greiner.  
 U.S. Appl. No. 29/277,341, filed Feb. 22, 2007, Title "Swivel Organizer", Inventor Lori Greiner.  
 U.S. Appl. No. 29/277,342, filed Feb. 22, 2007, Title "Swivel Organizer", Inventor Lori Greiner.  
 U.S. Appl. No. 29/277,343, filed Feb. 22, 2007, Title "Swivel Organizer", Inventor Lori Greiner.  
 U.S. Appl. No. 29/277,344, filed Feb. 22, 2007, Title "Swivel Organizer", Inventor Lori Greiner.  
 U.S. Appl. No. 29/277,345, filed Feb. 22, 2007, Title "Swivel Organizer", Inventor Lori Greiner.  
 U.S. Appl. No. 29/277,346, filed Feb. 22, 2007, Title "Swivel Organizer", Inventor Lori Greiner.  
 U.S. Appl. No. 29/281,878, filed Jul. 5, 2007, Title "Swivel Organizer", Inventor Lori Greiner.  
 U.S. Appl. No. 29/281,880, filed Jul. 5, 2007, Title "Swivel Organizer", Inventor Lori Greiner.  
 Chinese Utility Application No. 2006/101711561, Filed Dec. 25, 2006, Title "Swivel Organizer", Inventor Lori Greiner.

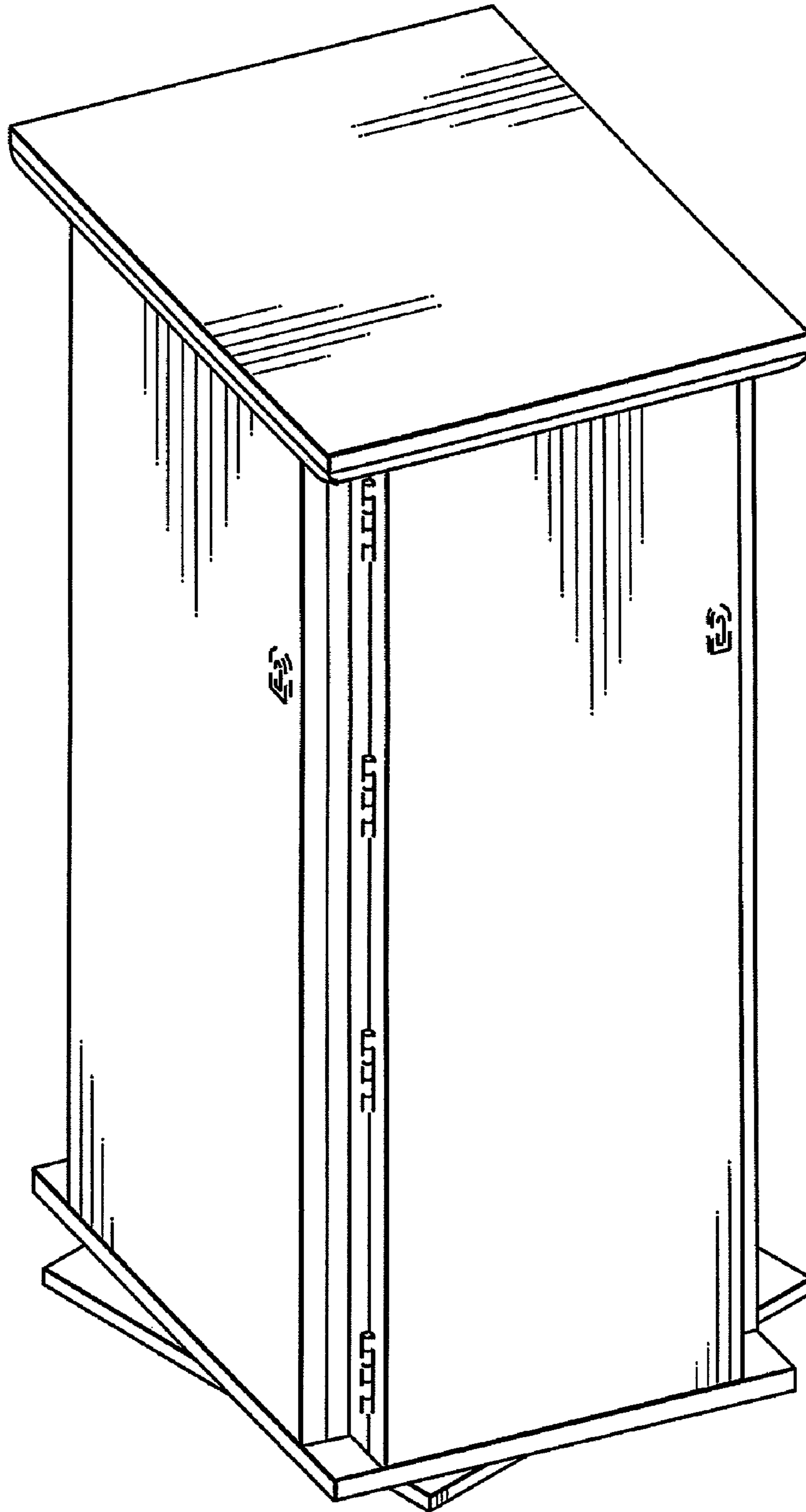
\* cited by examiner



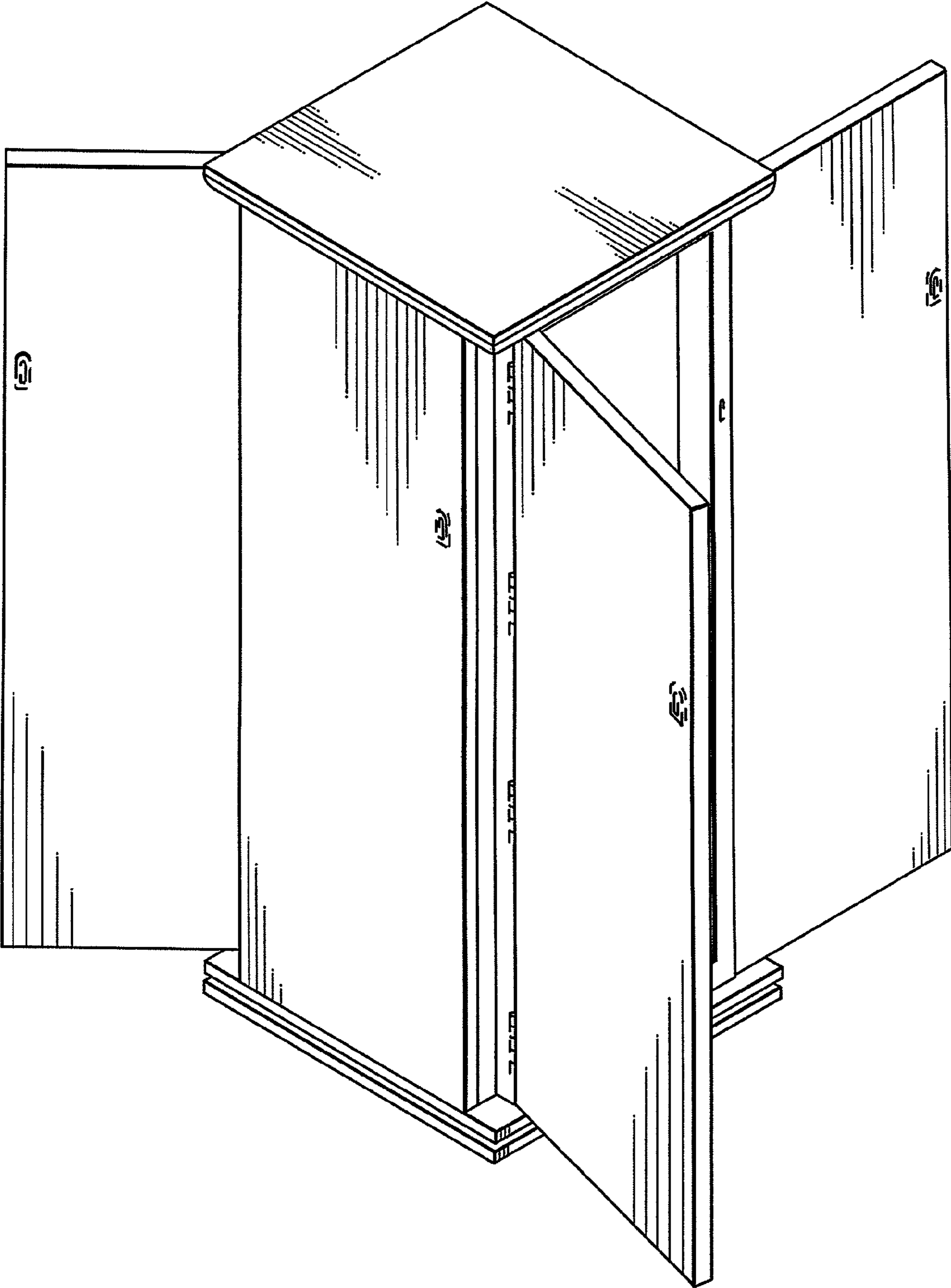
**Fig. 1**



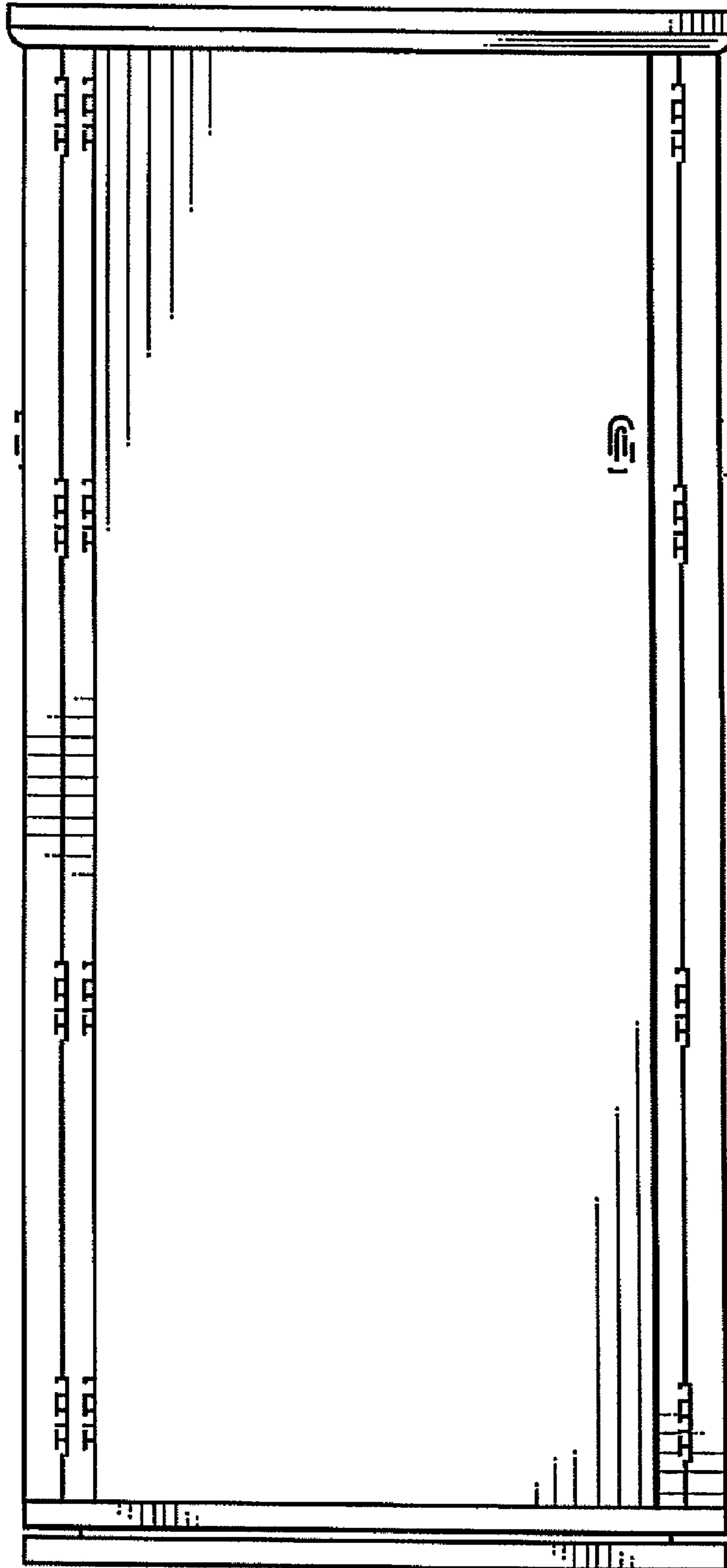
**Fig. 2**



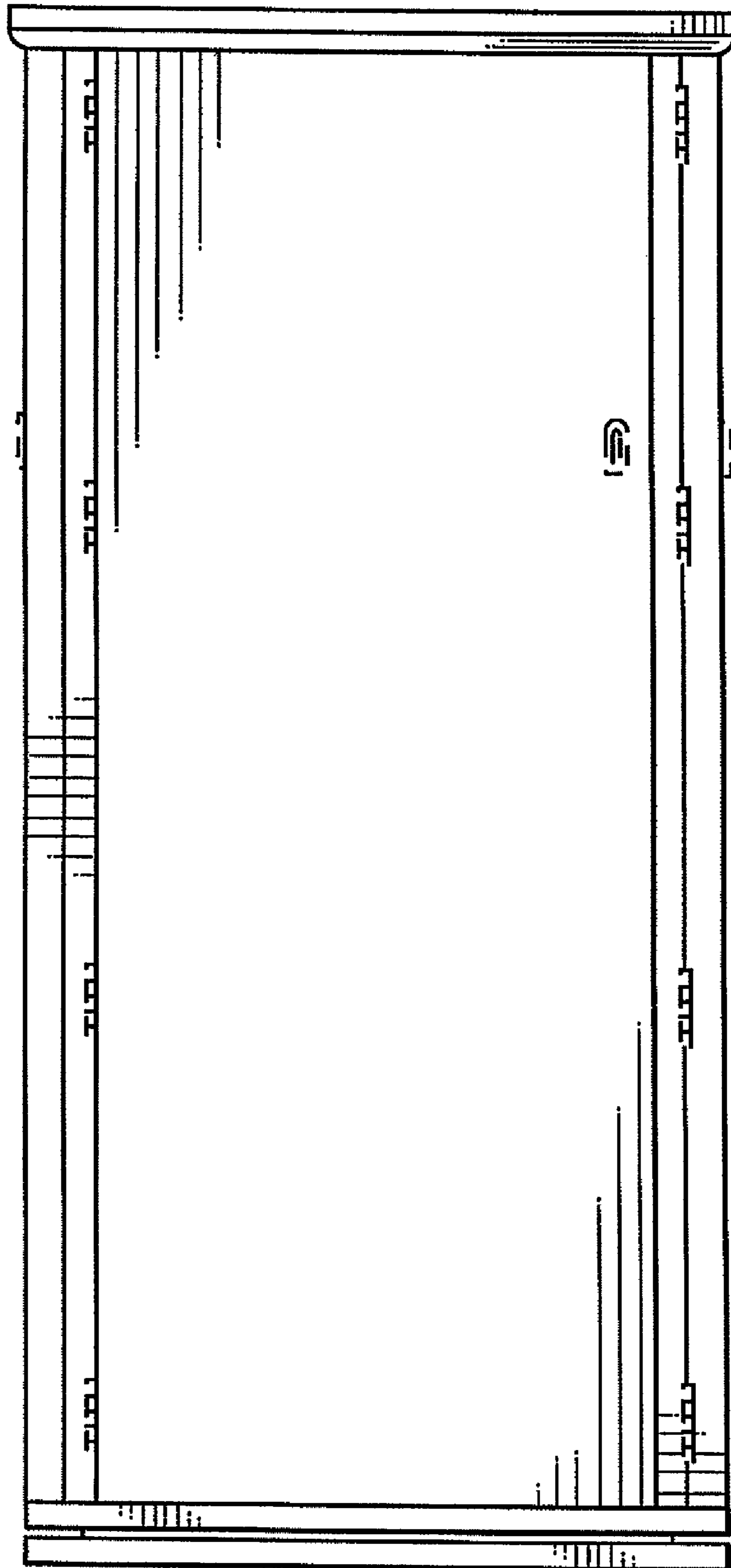
**Fig. 3**



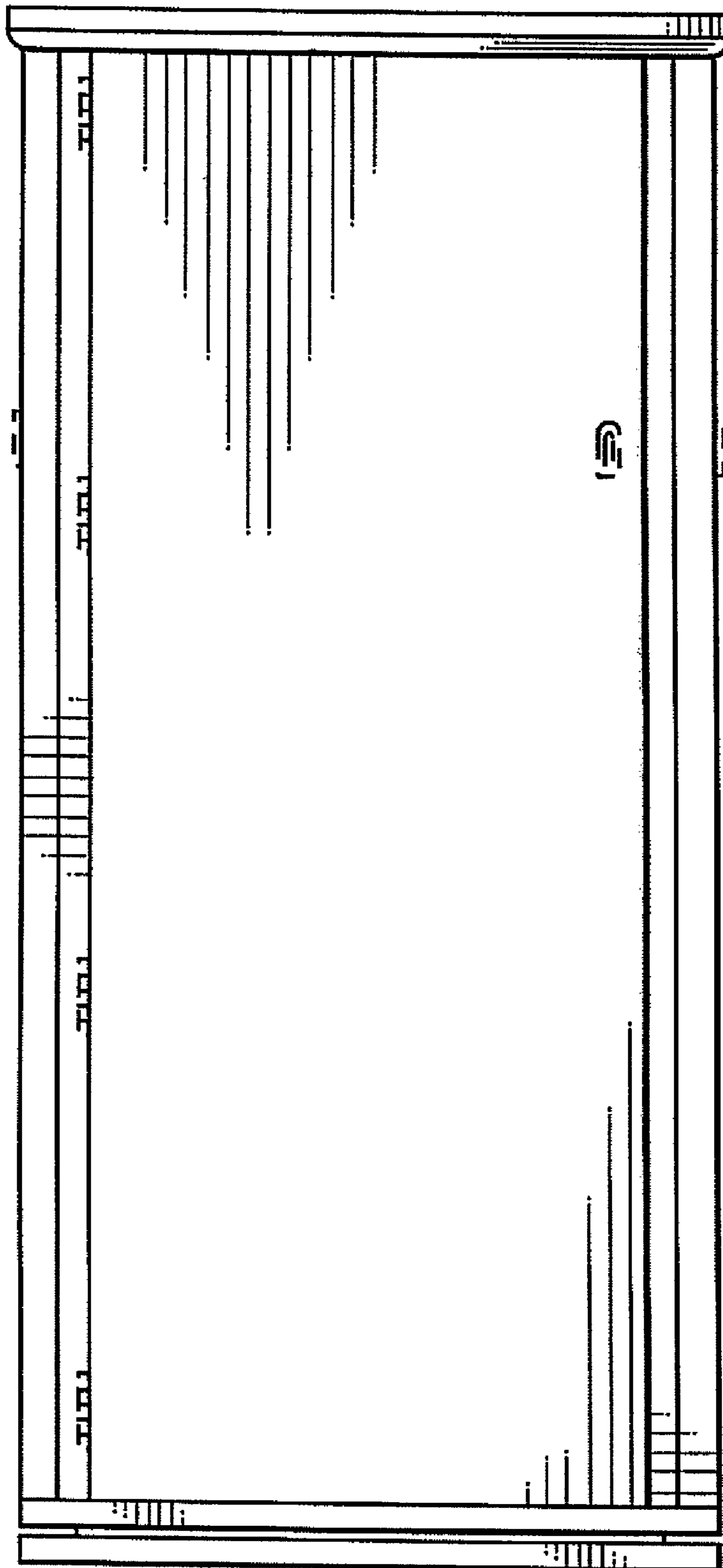
**Fig. 4**



**Fig. 5**

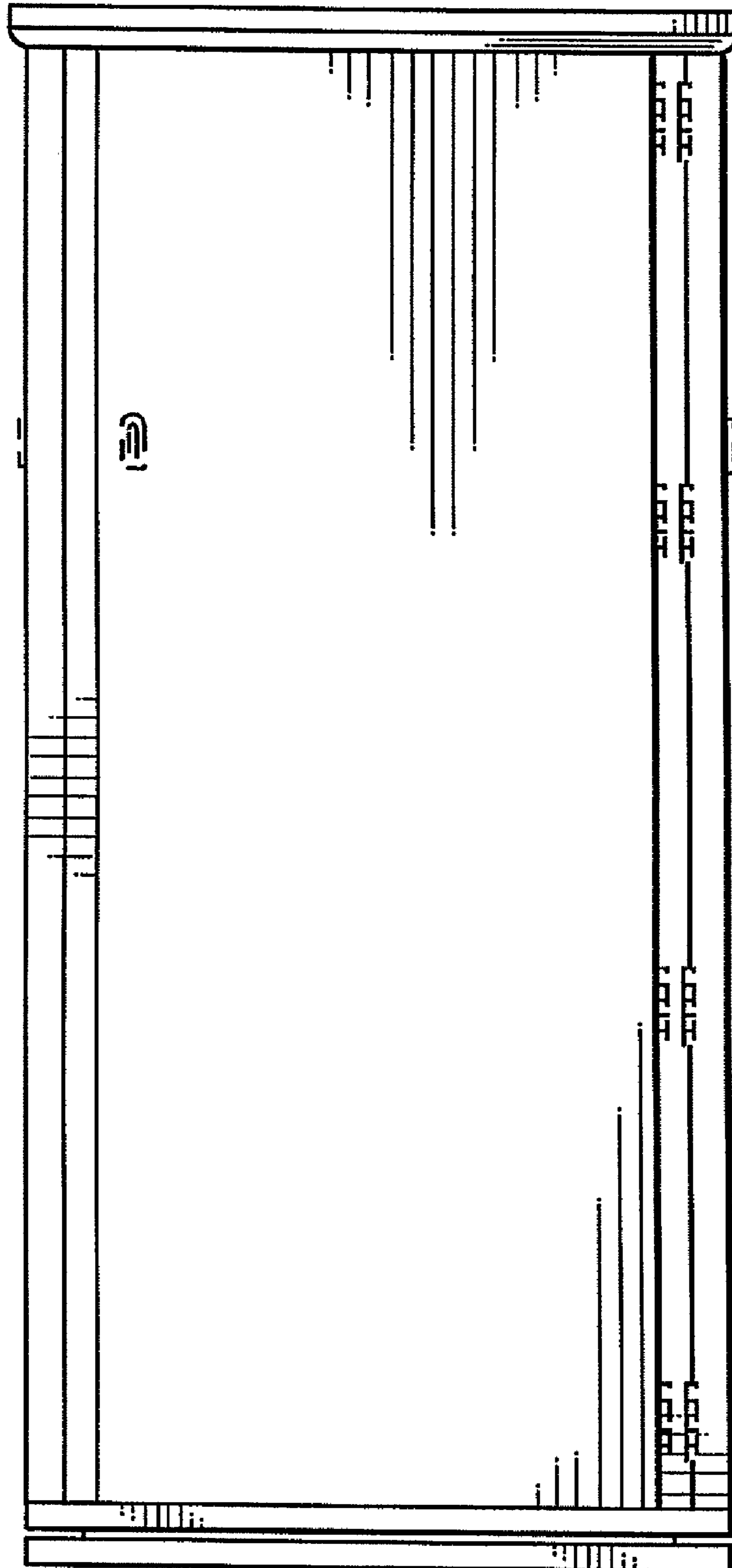


**Fig. 6**

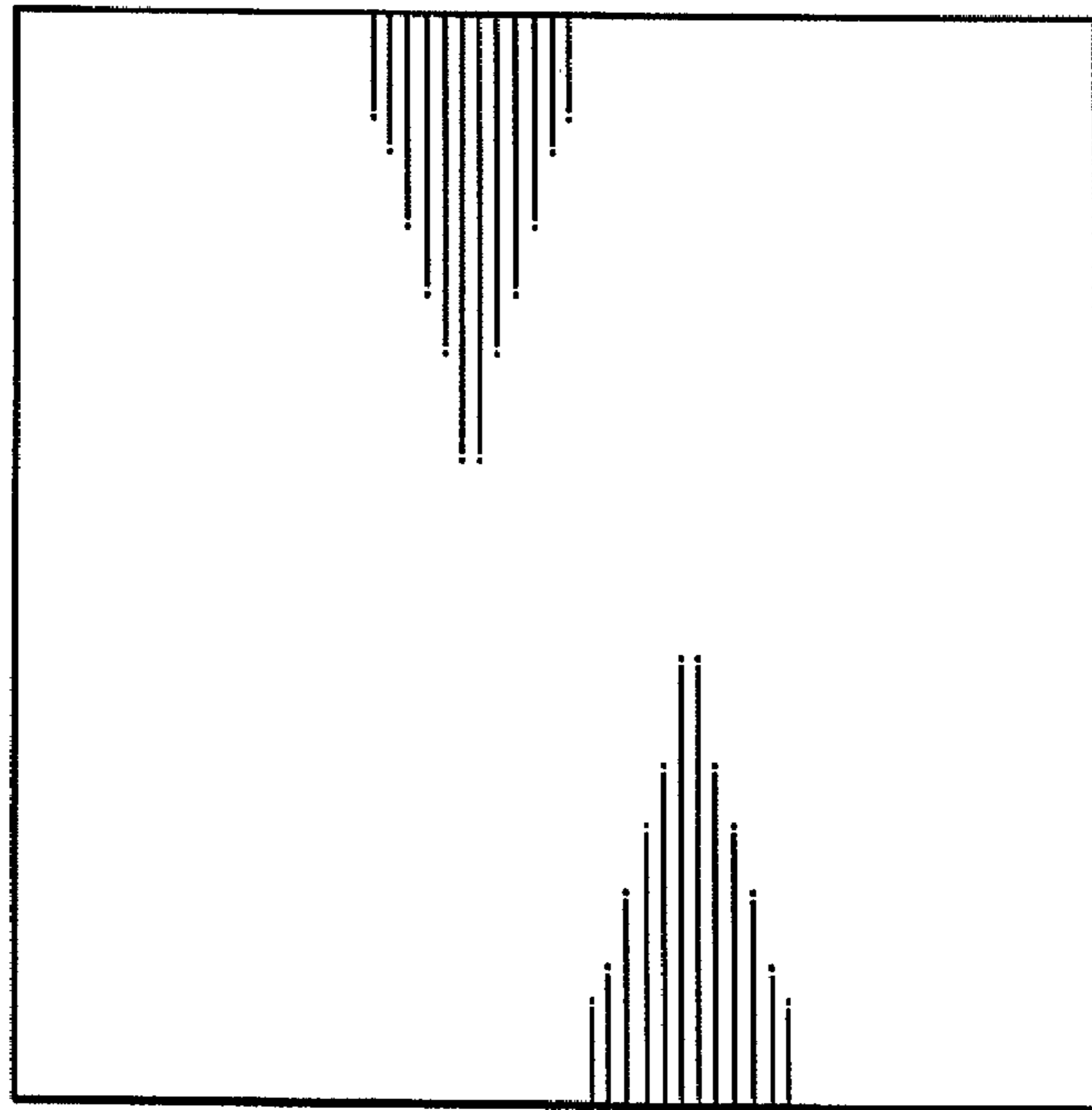




**Fig. 7**



**Fig. 8**



**Fig. 9**

