



US00D590626S

(12) **United States Design Patent**
Sato

(10) **Patent No.:** **US D590,626 S**
(45) **Date of Patent:** **** Apr. 21, 2009**

(54) **CHECK OUT APPARATUS FOR A STORE**

(75) Inventor: **Shigeru Sato**, Yokohama (JP)

(73) Assignee: **Toshiba Tec Kabushiki Kaisha** (JP)

(**) Term: **14 Years**

(21) Appl. No.: **29/292,455**

(22) Filed: **Oct. 11, 2007**

(30) **Foreign Application Priority Data**

Apr. 13, 2007 (JP) 2007-009938

(51) **LOC (9) Cl.** **18-01**

(52) **U.S. Cl.** **D6/402; D18/4.6**

(58) **Field of Classification Search** D6/402;
D14/315, 316, 336, 371, 373-376; D18/3.1,
D18/3.2, 3.3, 4.1, 4.2, 4.3, 4.4, 4.5, 4.6, 6,
D18/12, 12.1, 12.2, 12.3; D21/324, 329-332,
D21/521; D99/28, 34, 35, 43; 186/59, 61,
186/66; 235/1 E, 6, 7 R, 33, 50 A, 50 B,
235/50 R, 51, 52, 379, 386; 705/12, 14-18,
705/43

See application file for complete search history.

(56) **References Cited**

U.S. PATENT DOCUMENTS

5,992,570 A * 11/1999 Walter et al. 186/61
D429,401 S * 8/2000 Sato et al. D99/28
D449,726 S * 10/2001 Lin D99/28
D483,761 S * 12/2003 Berr et al. D14/383

D496,032 S * 9/2004 Cruikshank et al. D99/28
D529,255 S * 9/2006 Sato D99/28
D530,880 S * 10/2006 Magee et al. D99/28
D536,192 S * 2/2007 Kruse et al. D6/402
D540,004 S * 4/2007 Kang et al. D99/28
D558,481 S * 1/2008 Dias D6/402
2007/0255665 A1 * 11/2007 Oosugi et al. 705/414

FOREIGN PATENT DOCUMENTS

JP D1253461 9/2005

* cited by examiner

Primary Examiner—Caron Veynar

Assistant Examiner—Garth Rademaker

(74) *Attorney, Agent, or Firm*—Harness, Dickey & Pierce,
P.L.C.

(57) **CLAIM**

The ornamental design for a check out apparatus for a store,
as shown.

DESCRIPTION

FIG. 1 is a front, top and right side perspective view of a check
out apparatus for a store, showing my new design;

FIG. 2 is a front elevational view thereof;

FIG. 3 is a rear elevational view thereof;

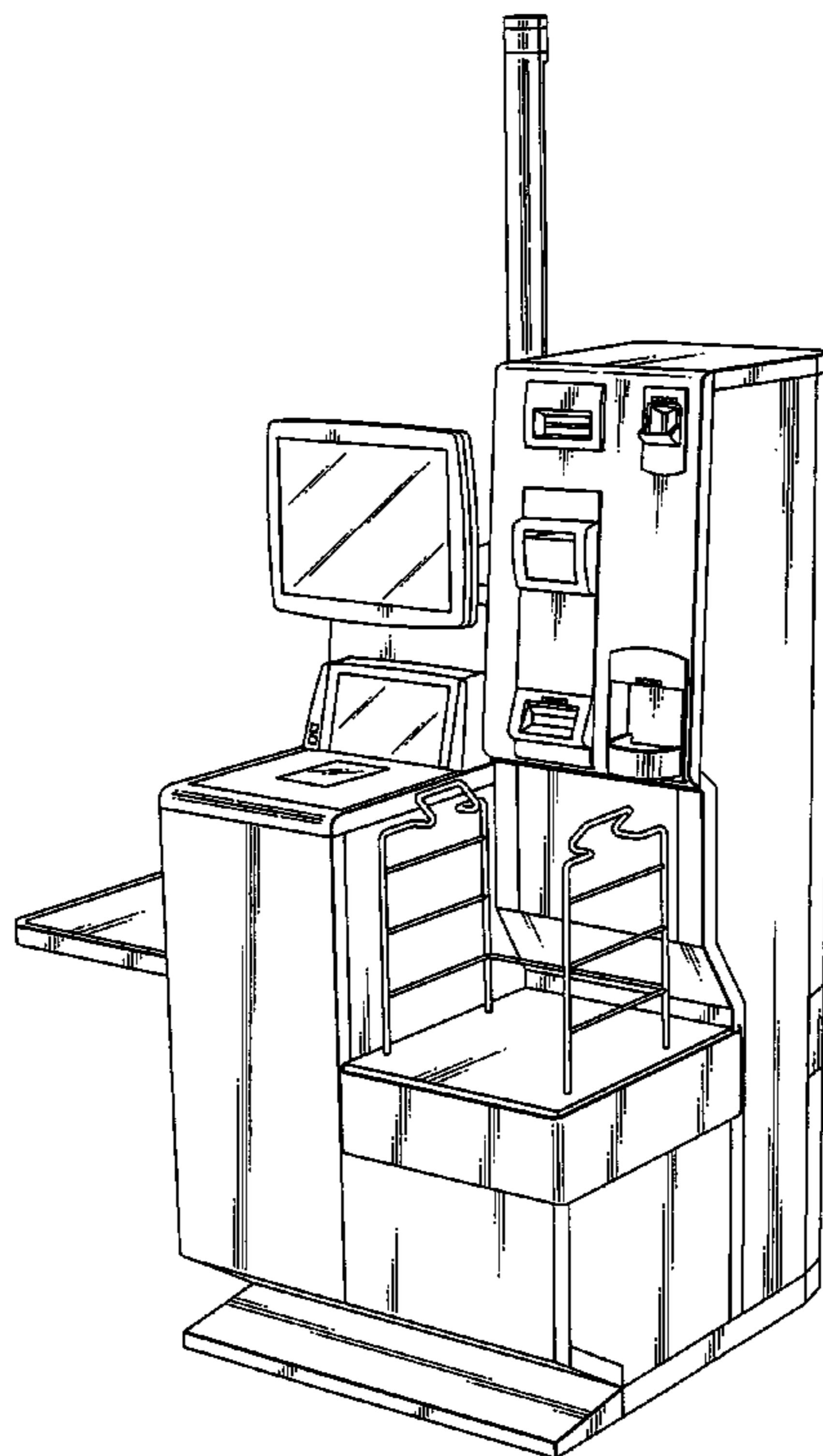
FIG. 4 is a top plan view thereof;

FIG. 5 is a bottom plan view thereof;

FIG. 6 is a right side elevational view thereof; and,

FIG. 7 is a left side elevational view thereof.

1 Claim, 6 Drawing Sheets



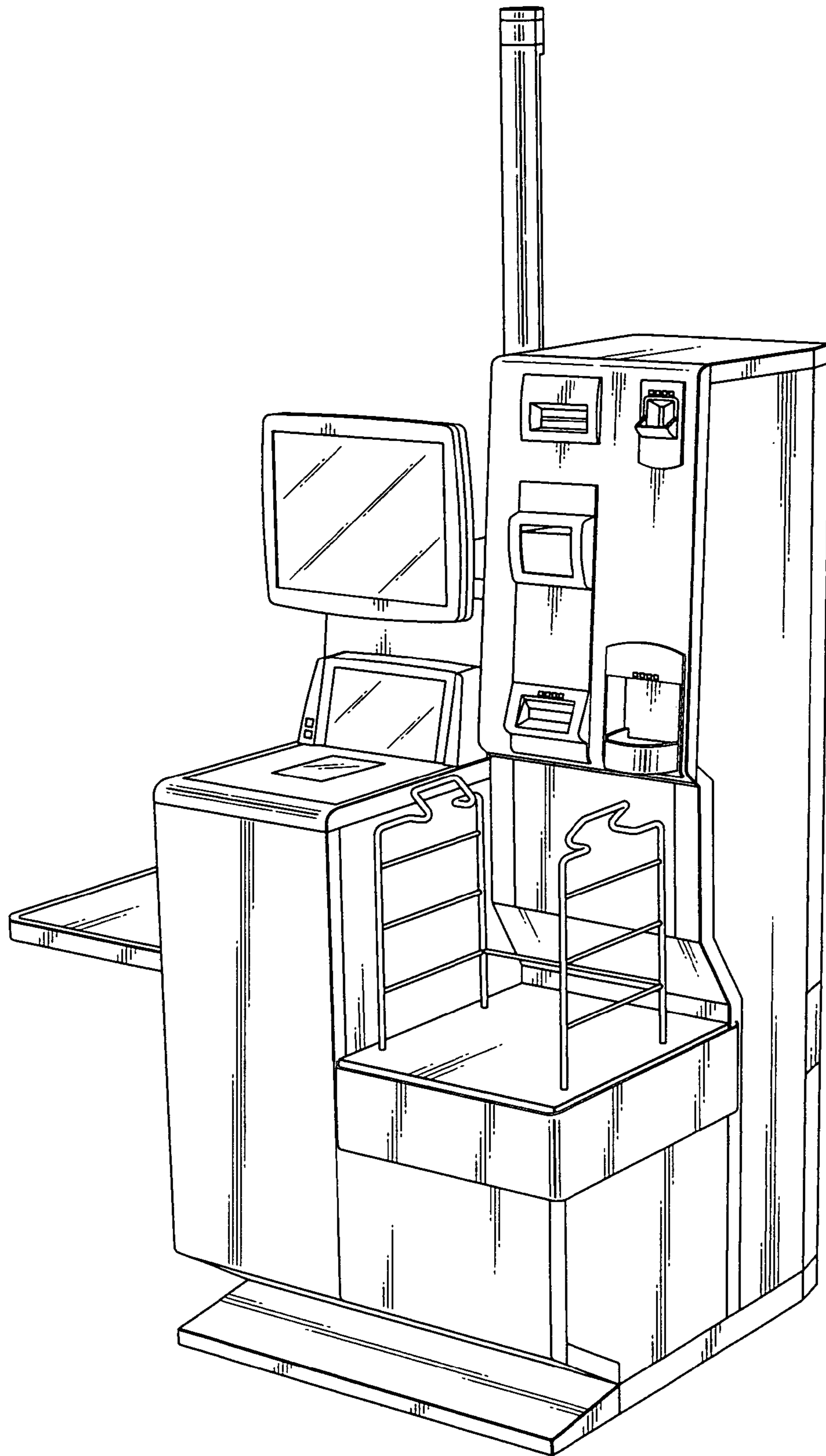


FIG. 1

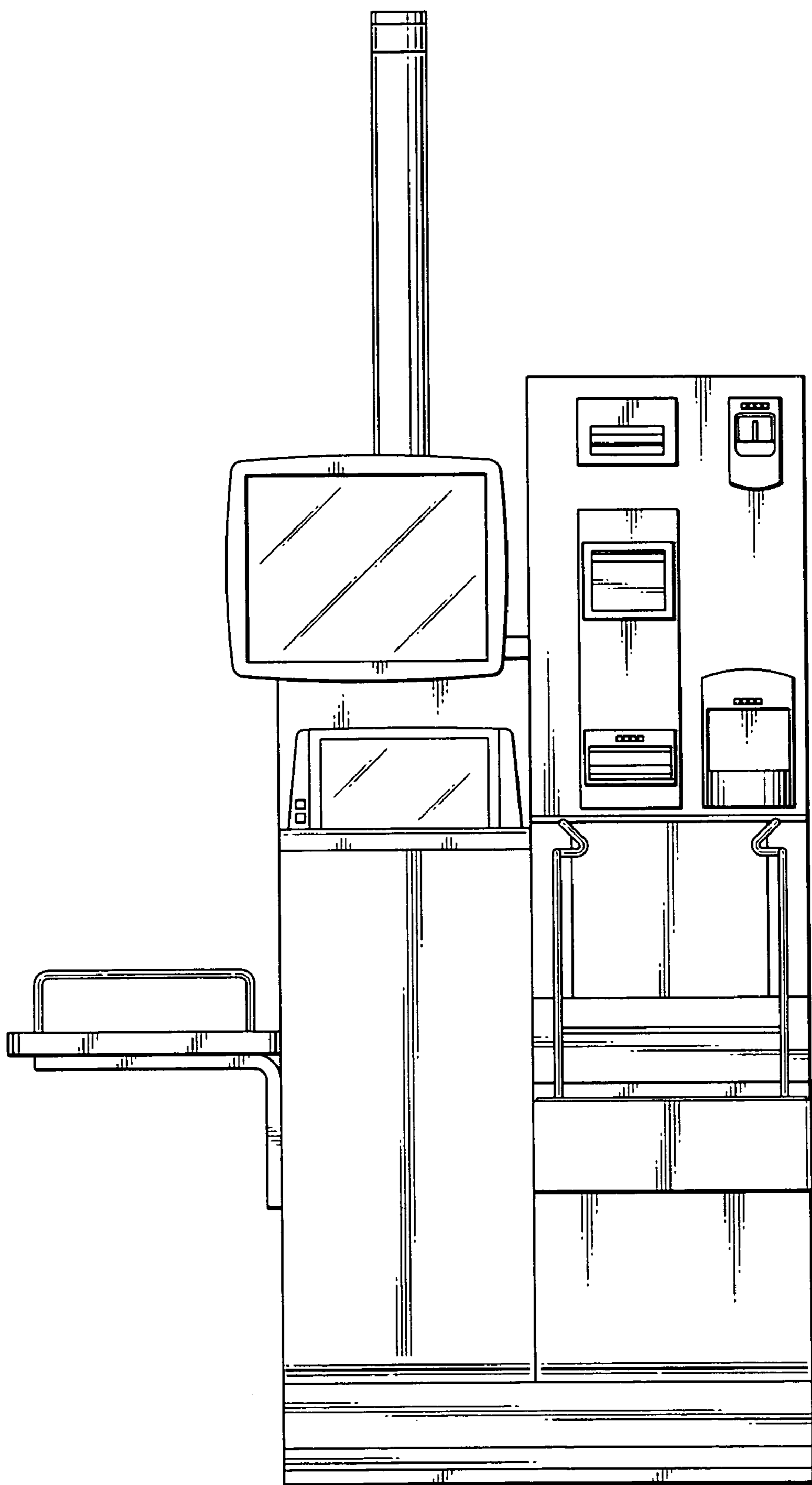


FIG. 2

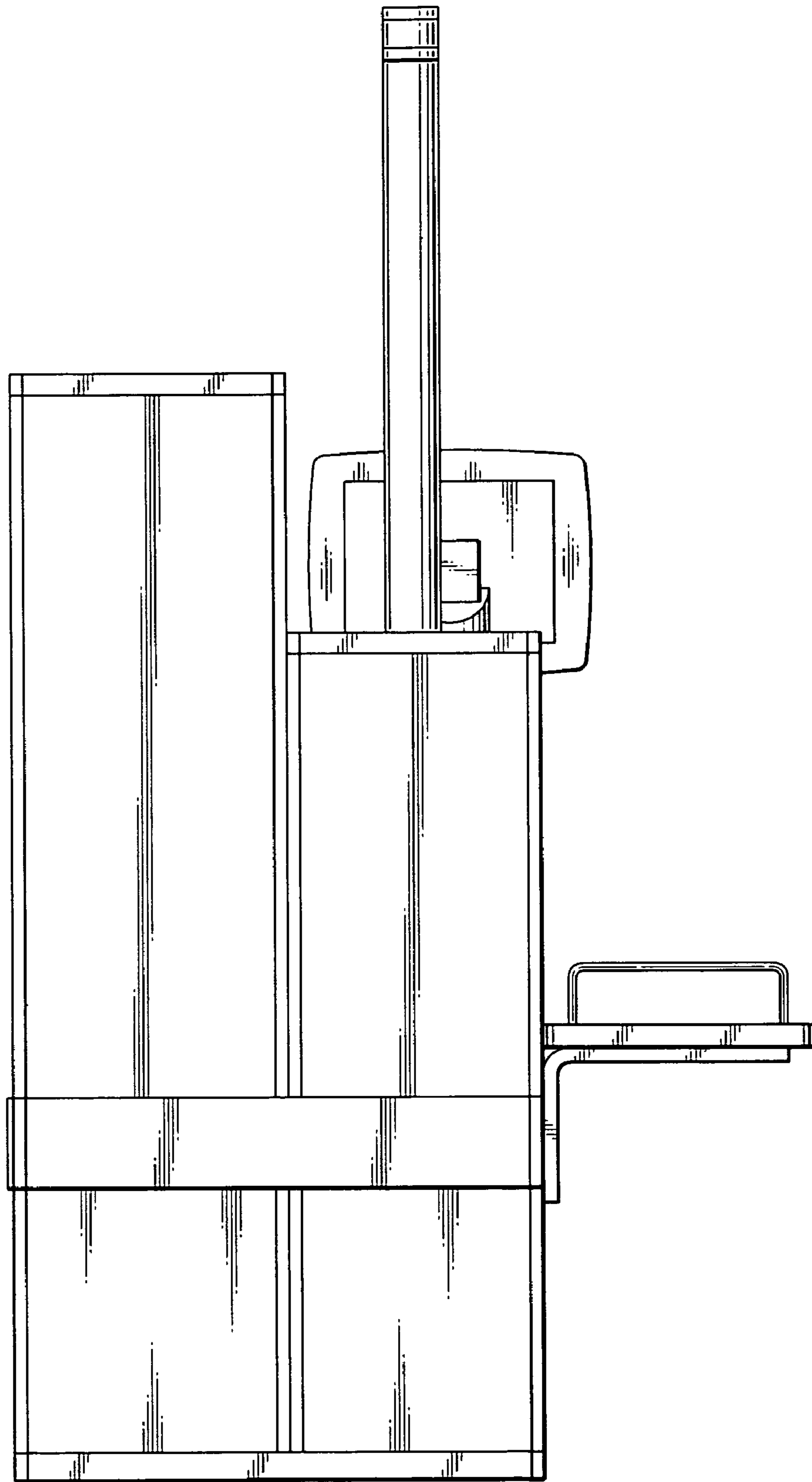


FIG.3

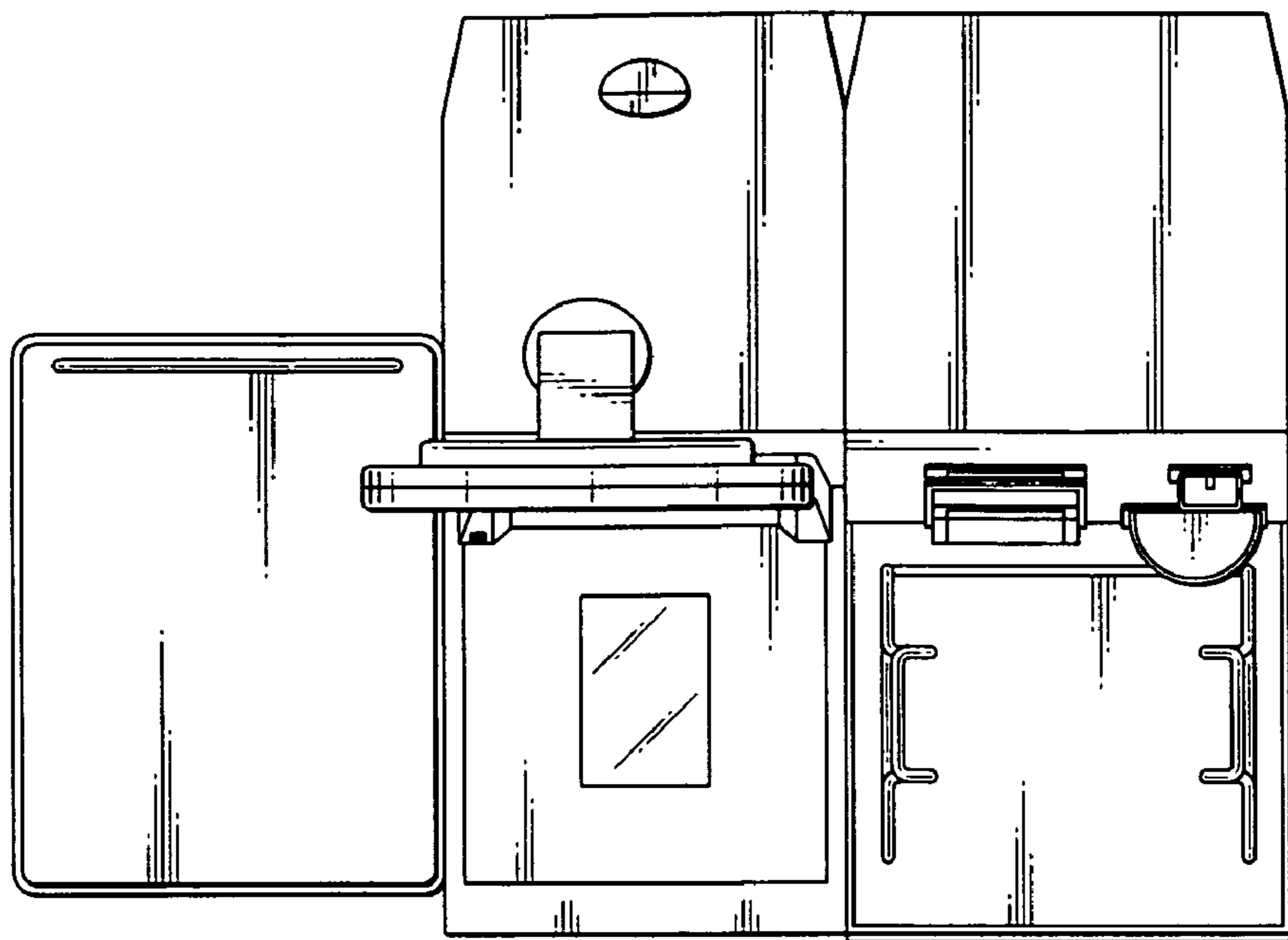


FIG. 4

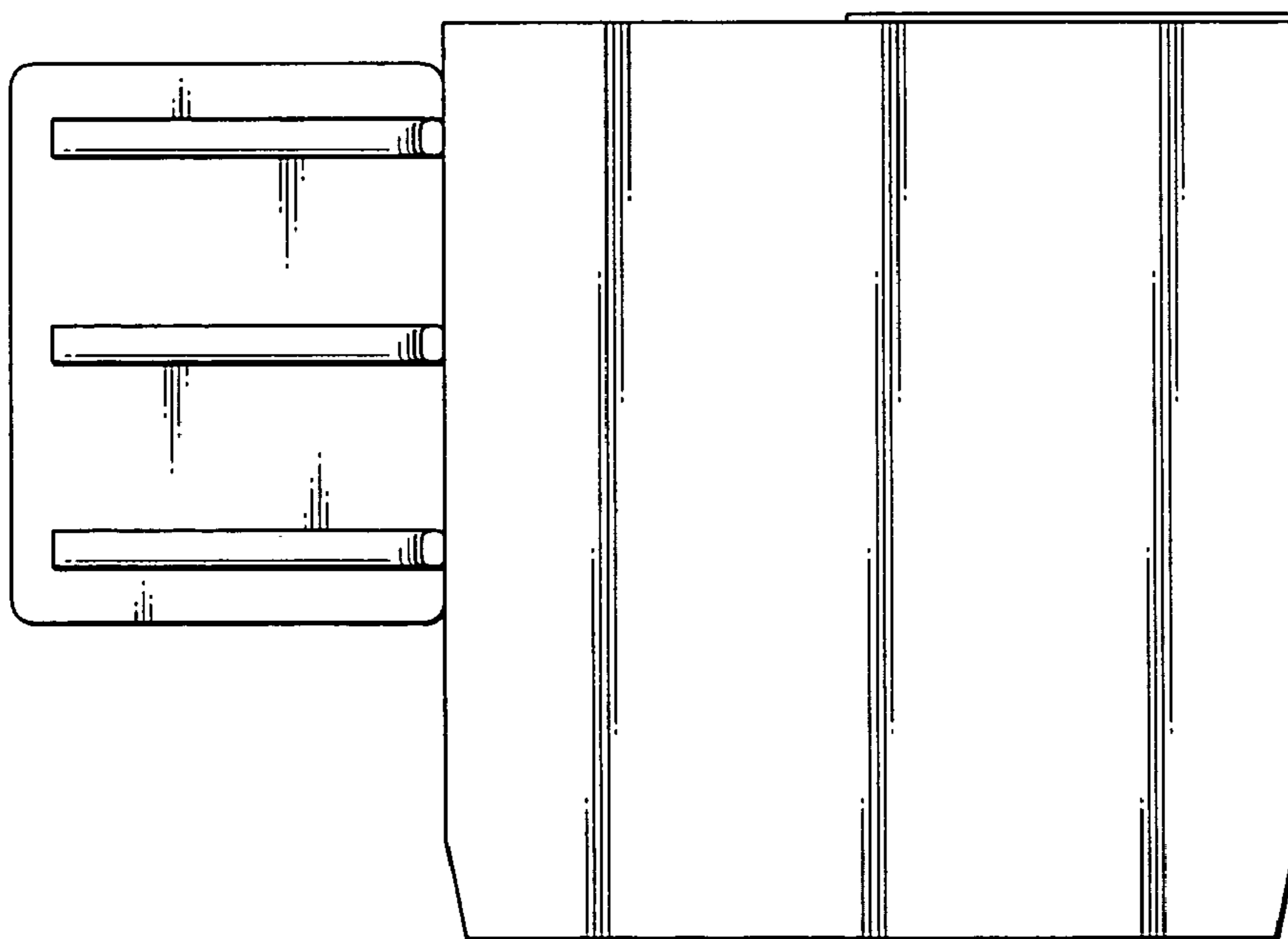


FIG. 5

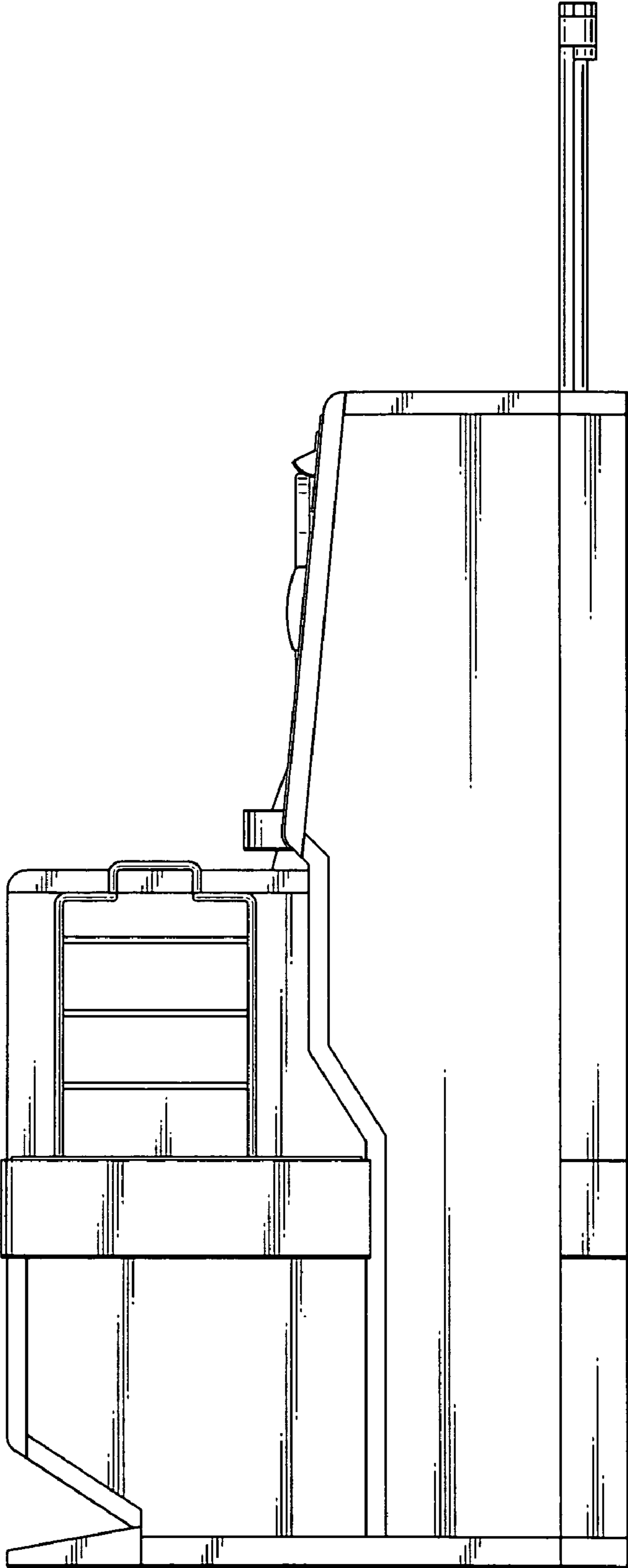


FIG.6

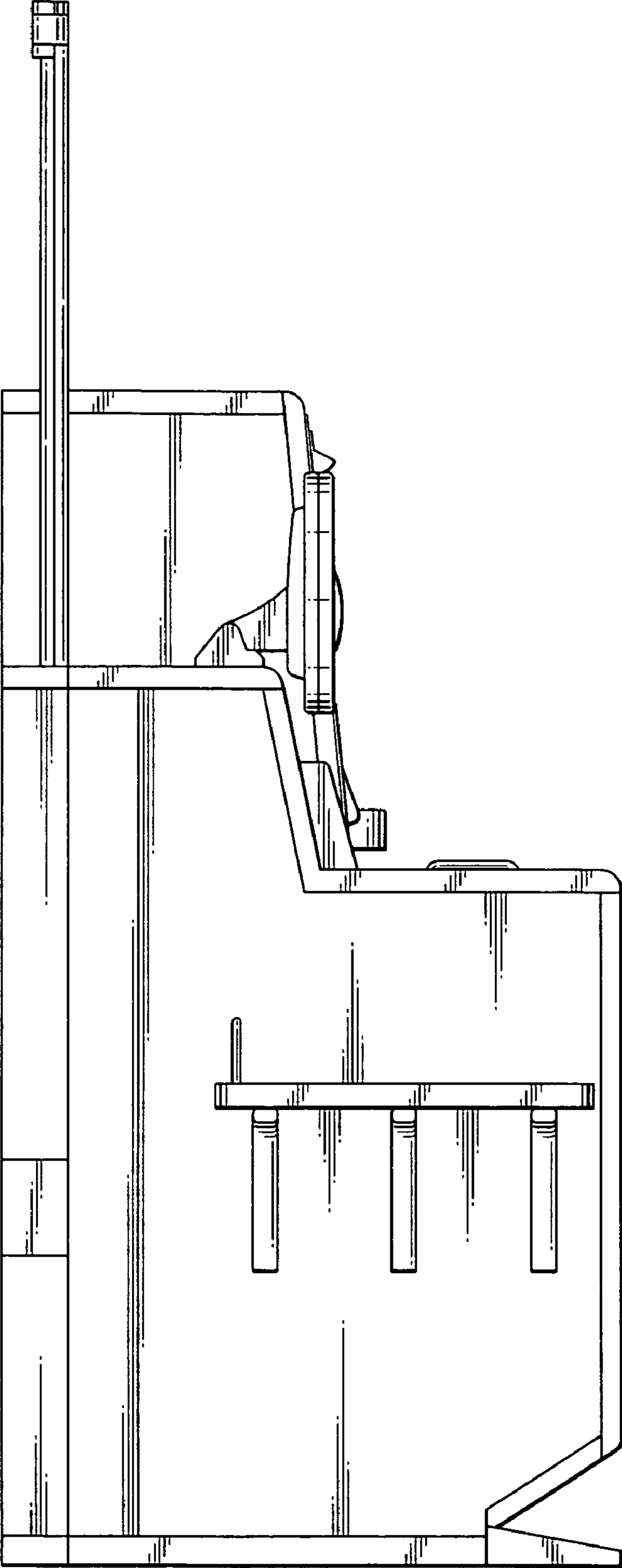


FIG.7