



US00D590621S

(12) **United States Design Patent**
Pappas

(10) **Patent No.:** **US D590,621 S**

(45) **Date of Patent:** **** Apr. 21, 2009**

(54) **BENCH**

(76) **Inventor:** **Mark Pappas**, P.O. Box 2458, Rancho Mirage, CA (US) 92270

(**) **Term:** **14 Years**

(21) **Appl. No.:** **29/312,920**

(22) **Filed:** **Nov. 20, 2008**

(51) **LOC (9) Cl.** **06-01**

(52) **U.S. Cl.** **D6/381**

(58) **Field of Classification Search** D6/334,
D6/374, 378, 381, 500-502; 297/68, 232,
297/233, 353, 445.1, 448.1, 448.2, DIG. 7;
5/12.1

See application file for complete search history.

(56) **References Cited**

U.S. PATENT DOCUMENTS

2,558,465	A *	6/1951	Seymour	297/56
D256,300	S *	8/1980	Yoshimura	D6/368
D336,796	S *	6/1993	Chang	D6/370
D376,271	S *	12/1996	Skalka	D6/370
D383,615	S *	9/1997	Skalka	D6/370
D384,512	S *	10/1997	Skalka	D6/370
D386,012	S *	11/1997	Skalka	D6/370
D442,379	S *	5/2001	Vertongen	D6/368
D446,399	S *	8/2001	Slear	D6/370
D498,079	S *	11/2004	Messier	D6/381
D528,831	S *	9/2006	Rizzi	D6/500
D585,210	S *	1/2009	Rizzi	D6/381
D585,211	S *	1/2009	Rizzi	D6/381

OTHER PUBLICATIONS

Kingsley-Bate Folding Chairs, Sweet's Catalog, 2004, vol. 1.*

* cited by examiner

Primary Examiner—Sandra Snapp

(74) *Attorney, Agent, or Firm*—Thomas M. Freiburger

(57) **CLAIM**

The ornamental design for a bench, substantially as shown and described.

DESCRIPTION

FIG. 1 is a frontal perspective view showing a bench according to my new design, the dashed lines indicating seat and back structure not forming a part of my design;

FIG. 2 is a right side elevation view thereof, the left side elevation being identical and opposite;

FIG. 3 is a front elevation view thereof, the dashed lines indicating seat and back structure not forming a part of my design;

FIG. 4 is a rear elevation view thereof, the dashed lines indicating seat and back structure not forming a part of my design;

FIG. 5 is a top view thereof, the dashed lines indicating seat and back structure not forming a part of my design;

FIG. 6 is a bottom plan view thereof, the dashed lines indicating seat and back structure not forming a part of my design;

FIG. 7 is a perspective view showing a second embodiment of a bench according to my new design, the dashed lines indicating seat and back structure not forming a part of my design;

FIG. 8 is a right side elevation view thereof, the left side elevation being identical;

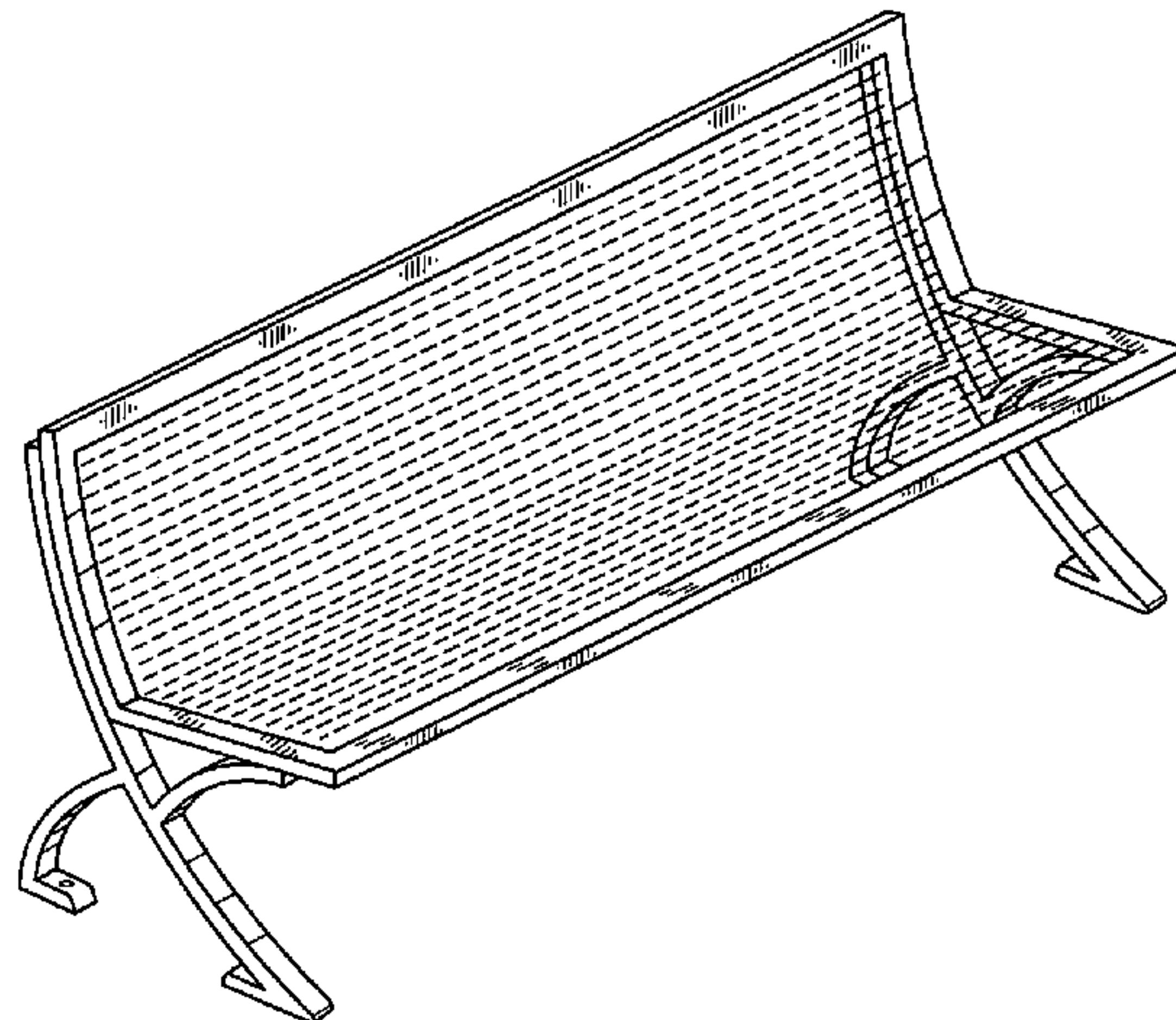
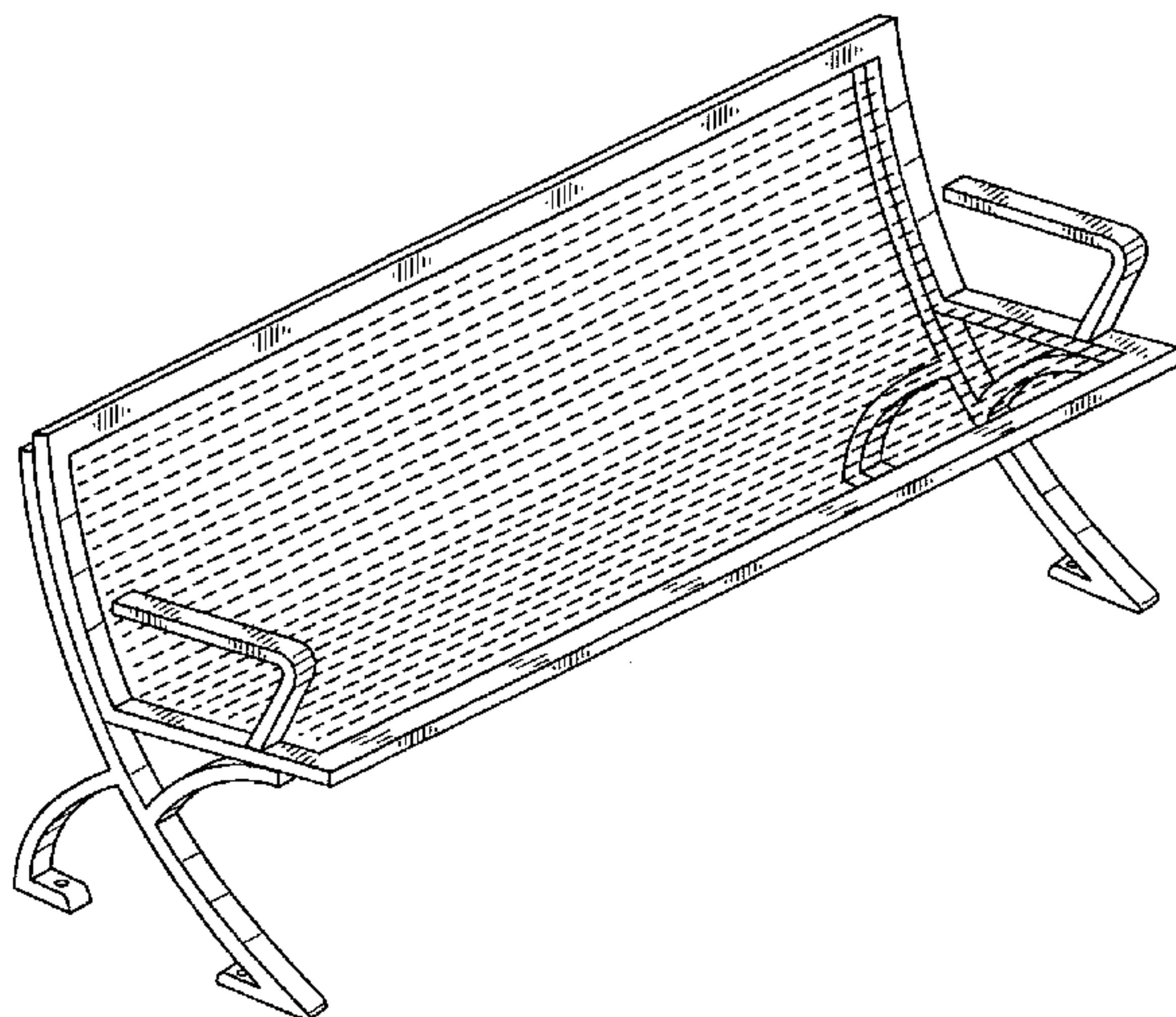
FIG. 9 is a front elevation view thereof, the dashed lines indicating seat and back structure not forming a part of my design;

FIG. 10 is a rear elevation view thereof, the dashed lines indicating seat and back structure not forming a part of my design;

FIG. 11 is a top plan view thereof, the dashed lines indicating seat and back structure not forming a part of my design; and,

FIG. 12 is a bottom plan view thereof, the dashed lines indicating seat and back structure not forming a part of my design.

1 Claim, 4 Drawing Sheets



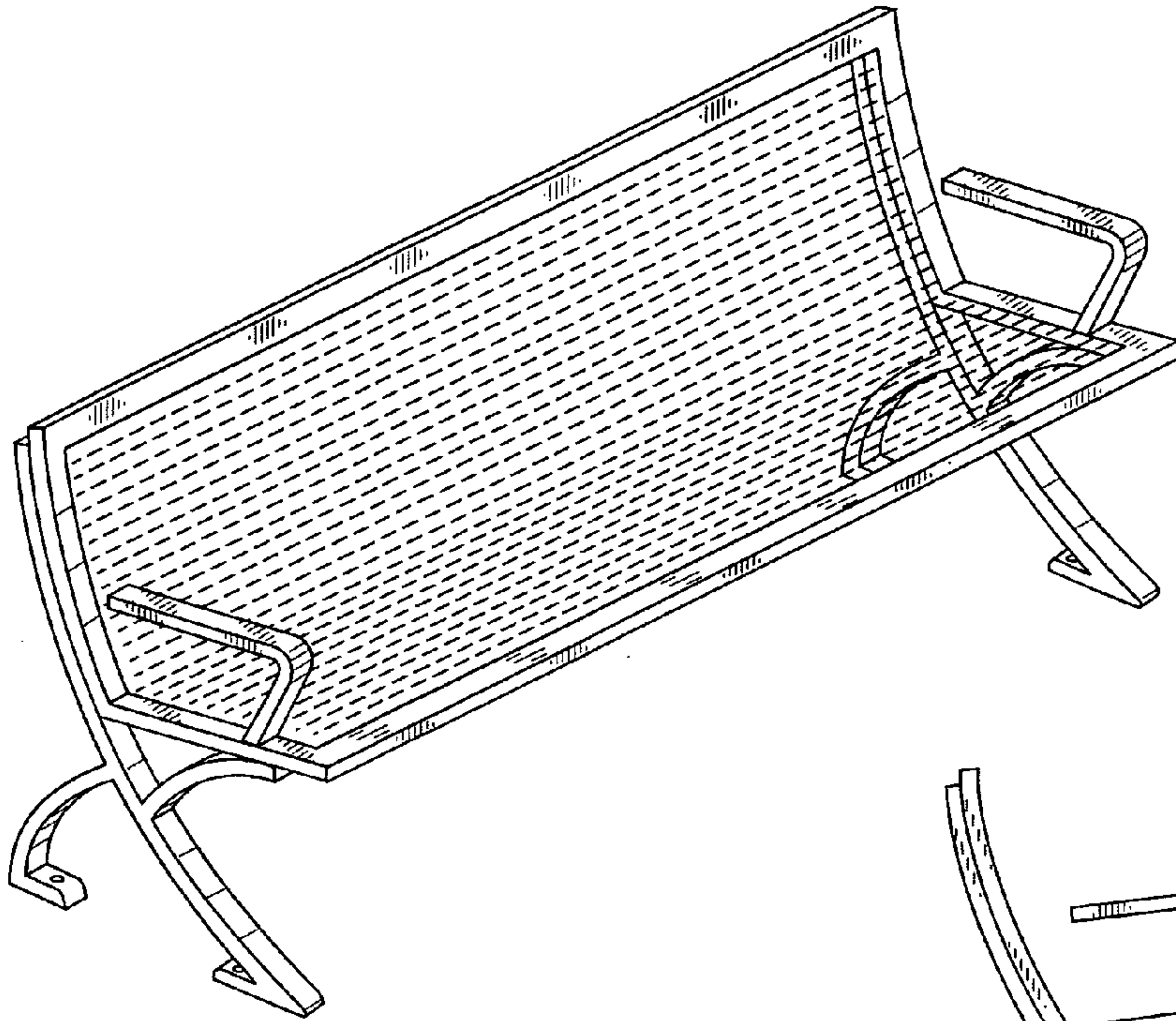


FIG. 1

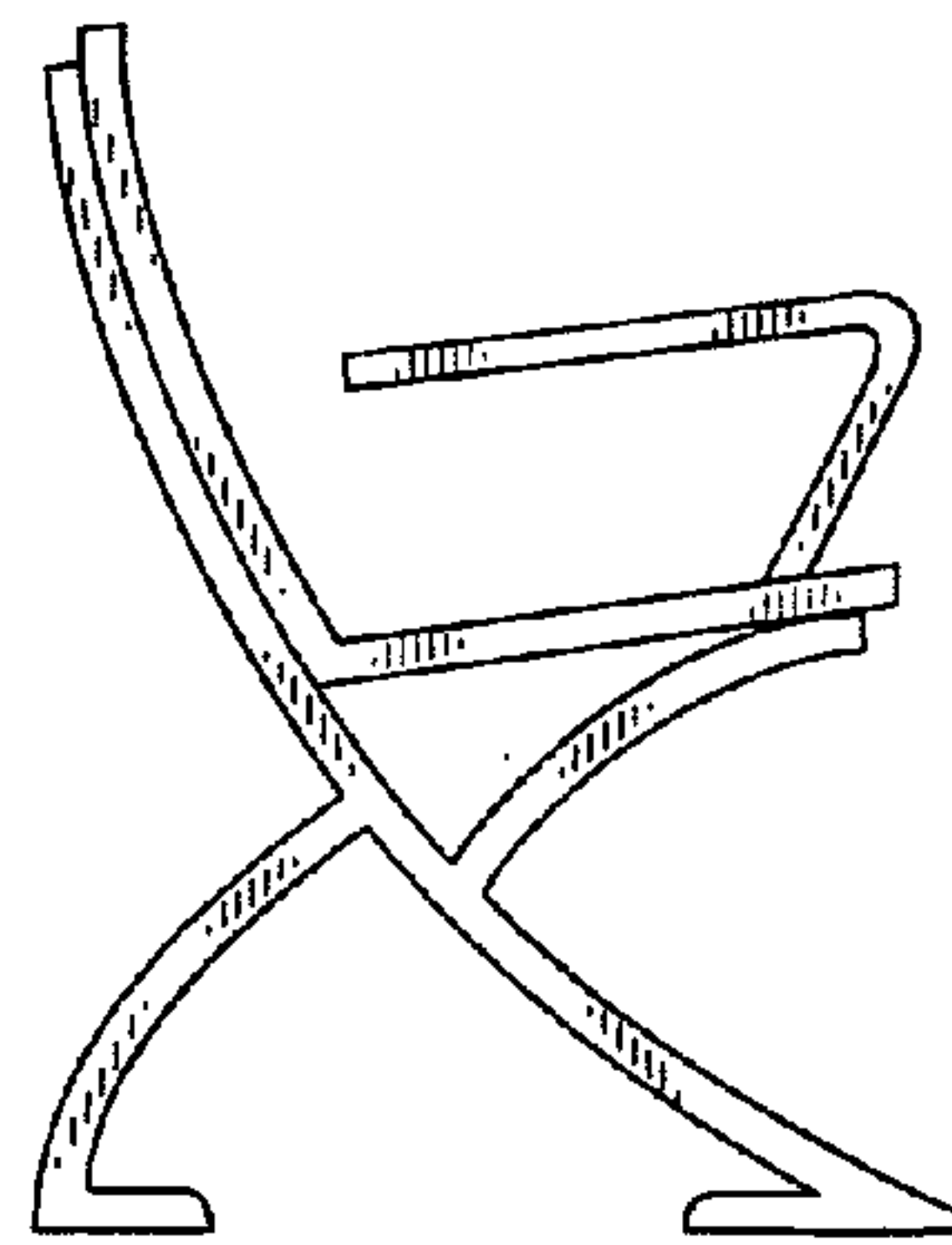


FIG. 2

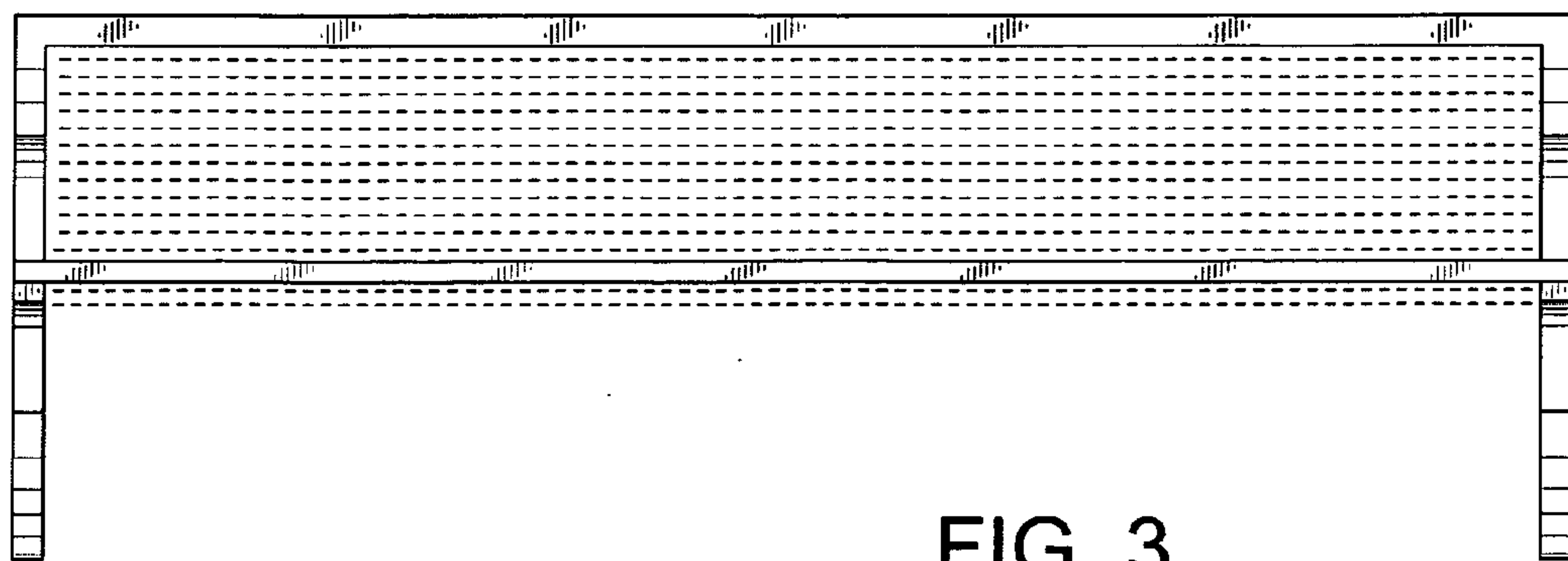


FIG. 3

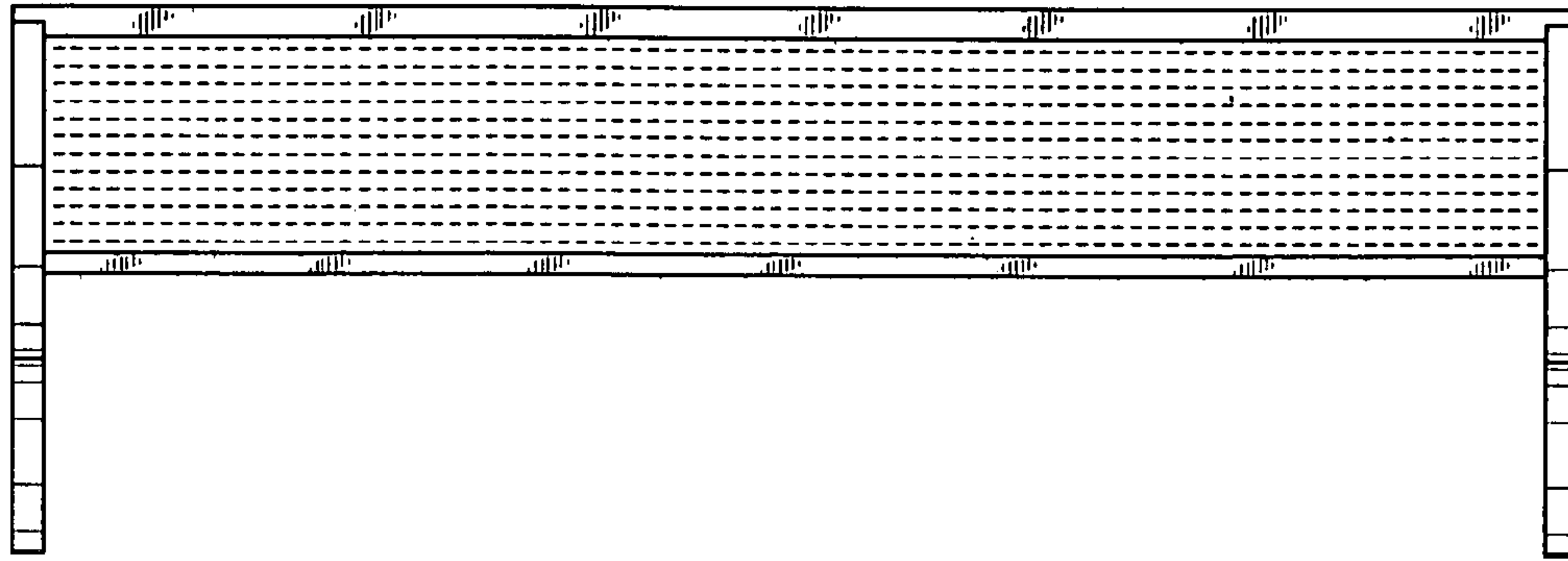


FIG. 4

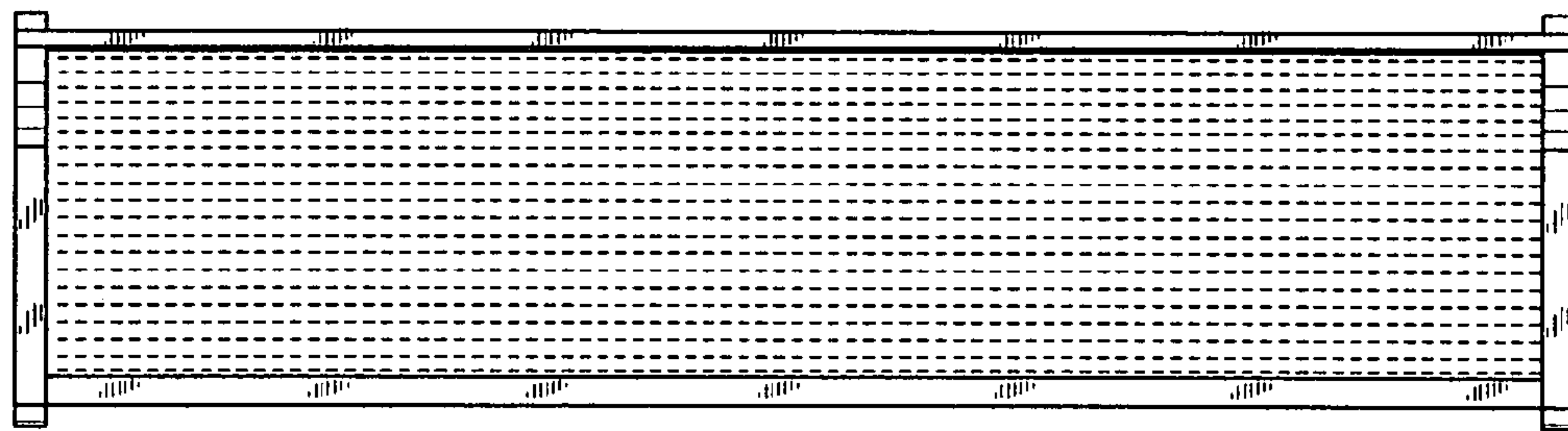


FIG. 5

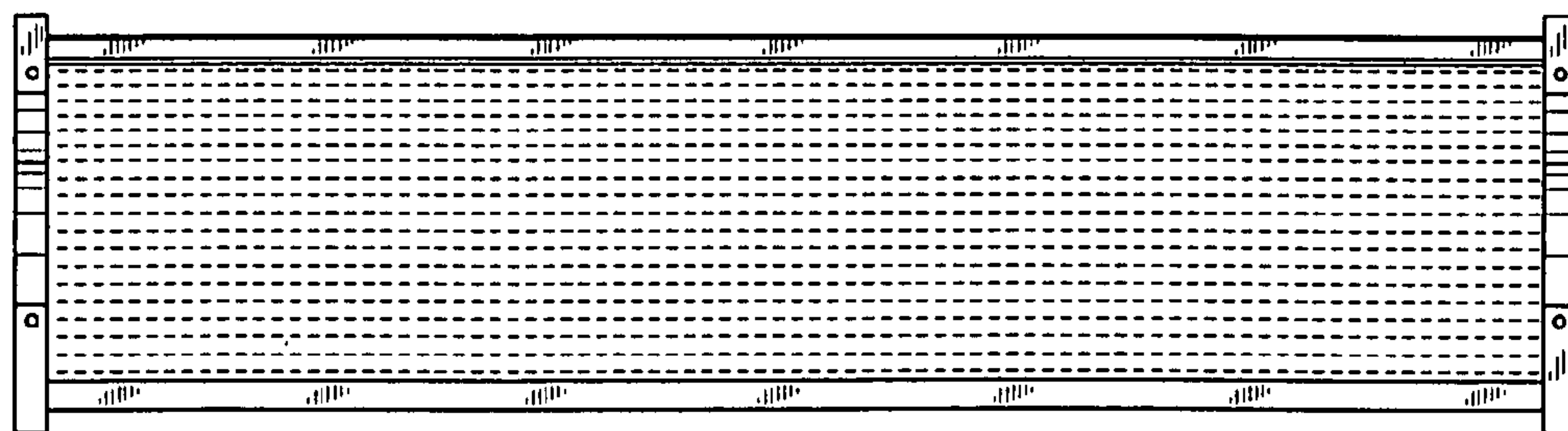


FIG. 6

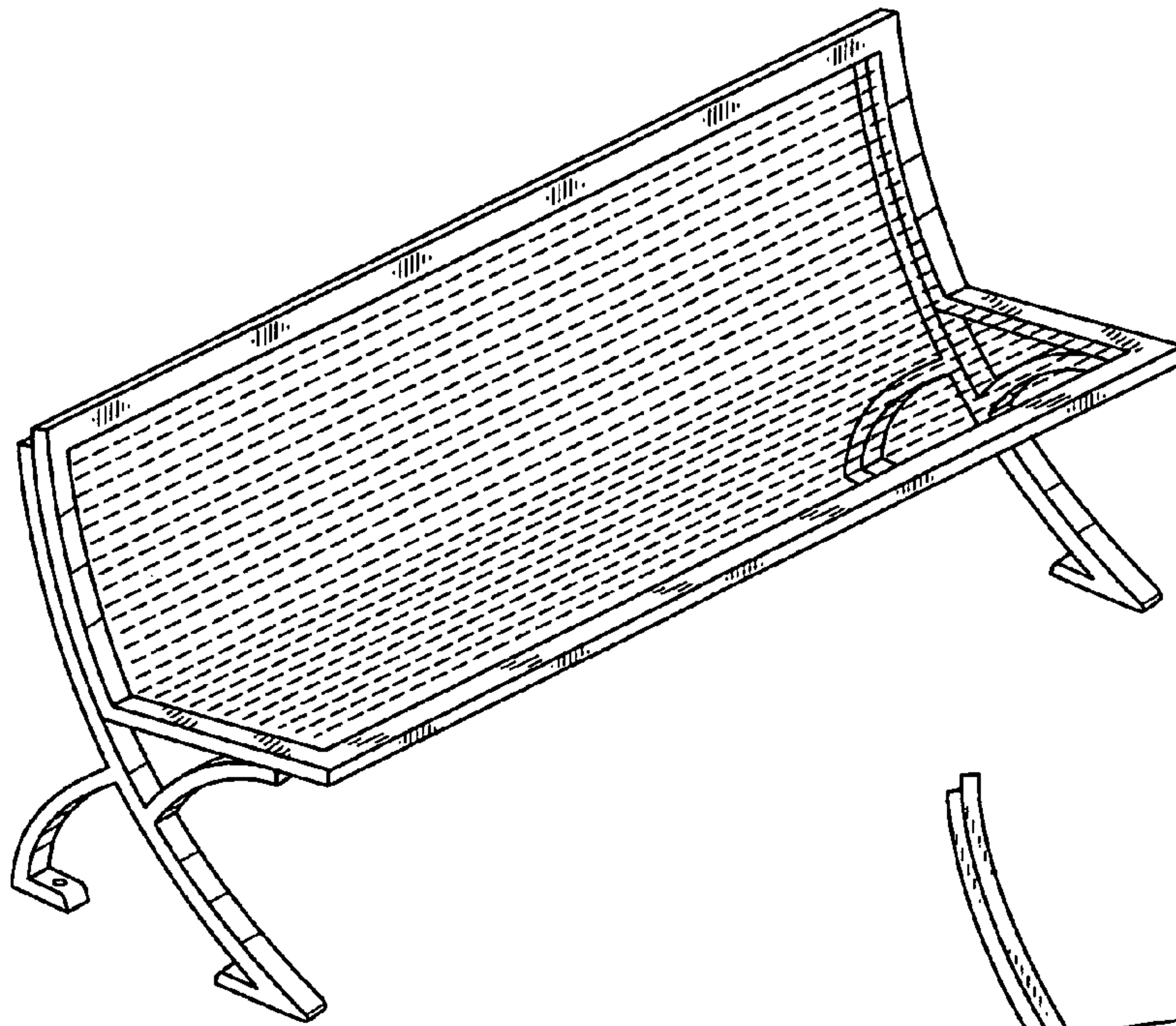


FIG. 7

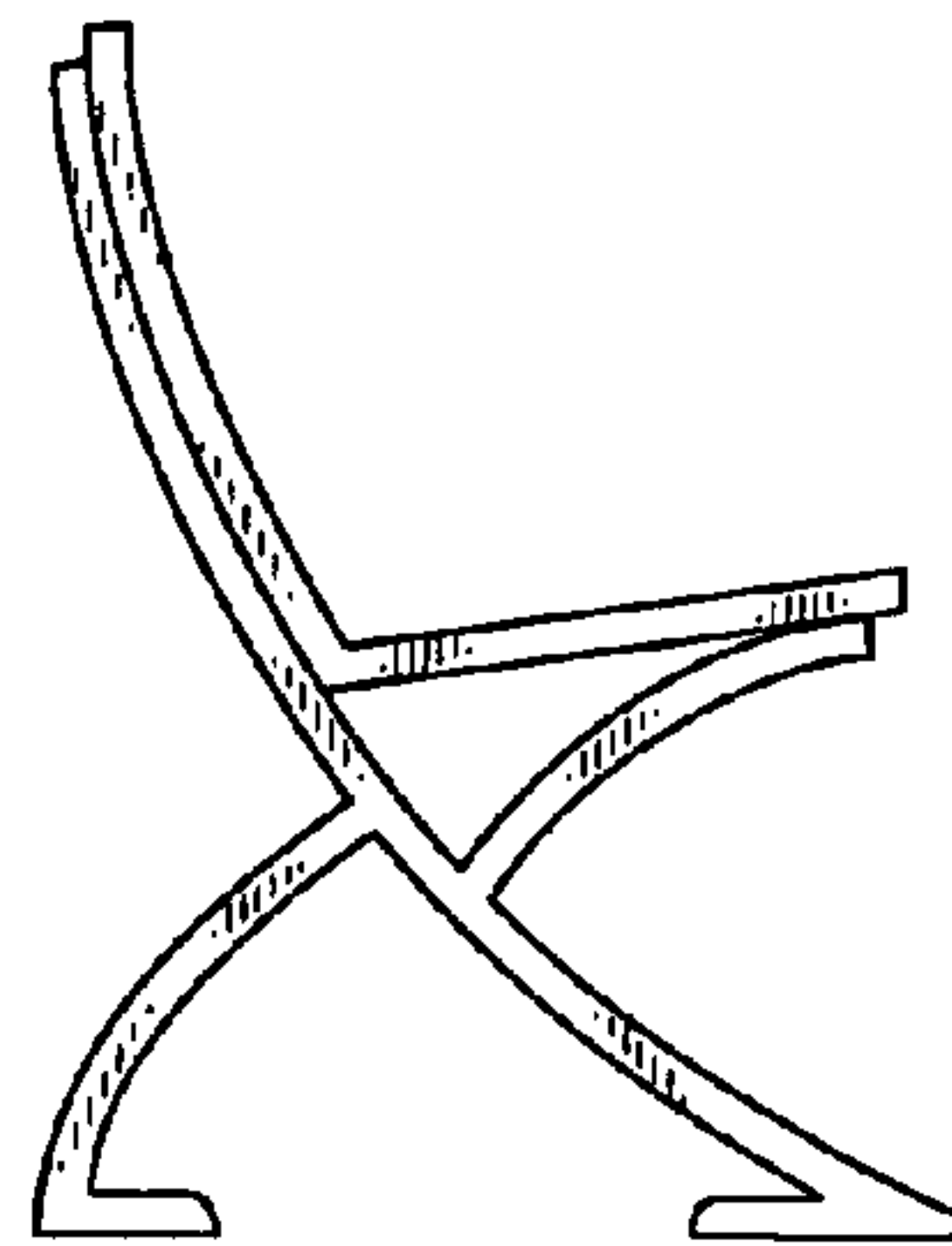


FIG. 8

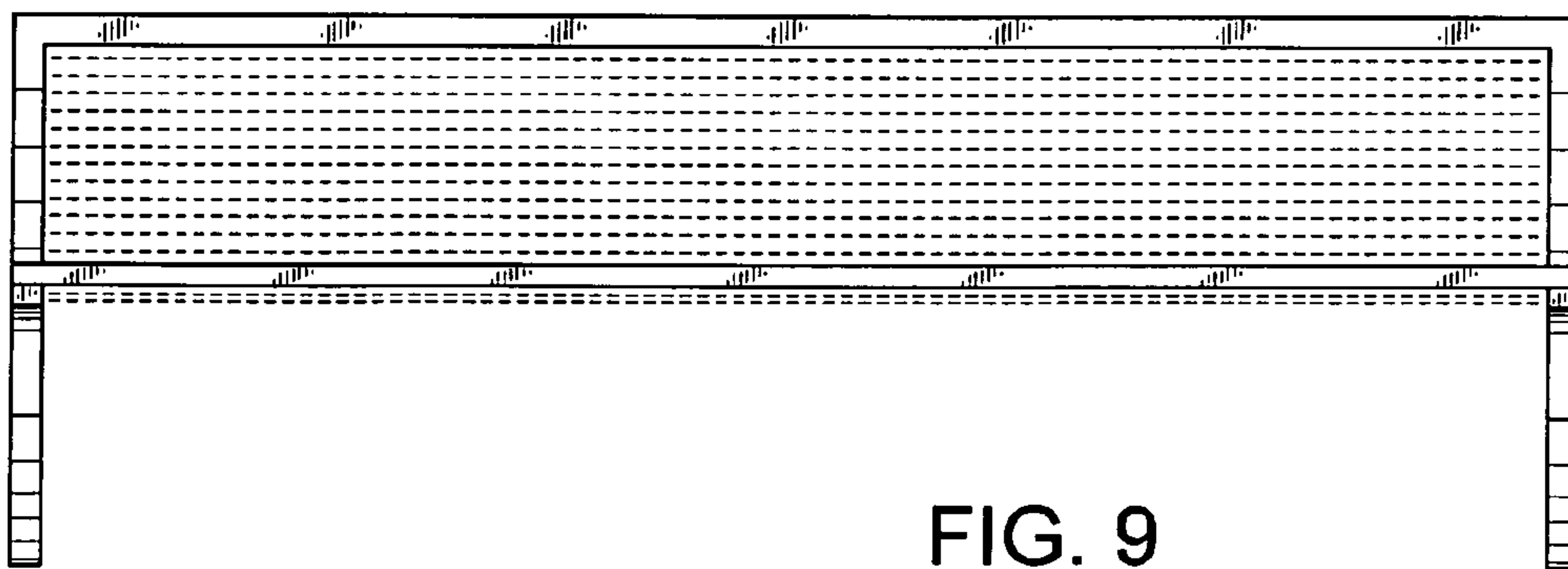


FIG. 9

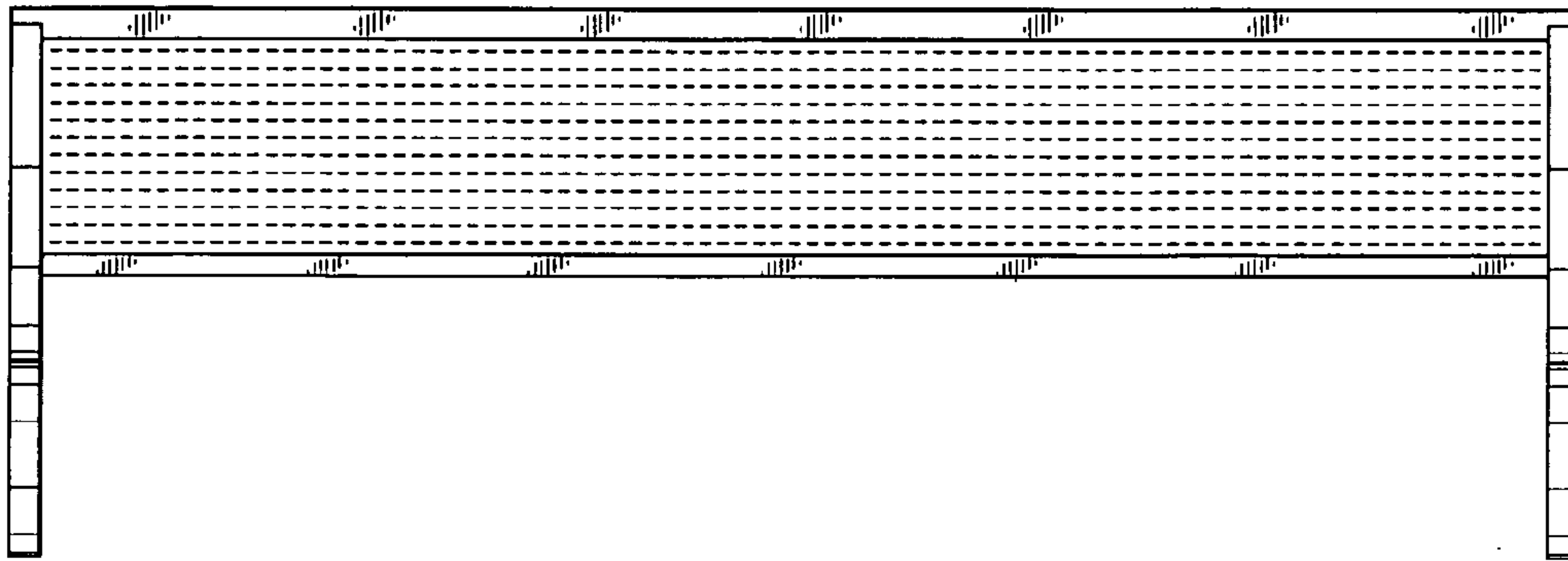


FIG. 10

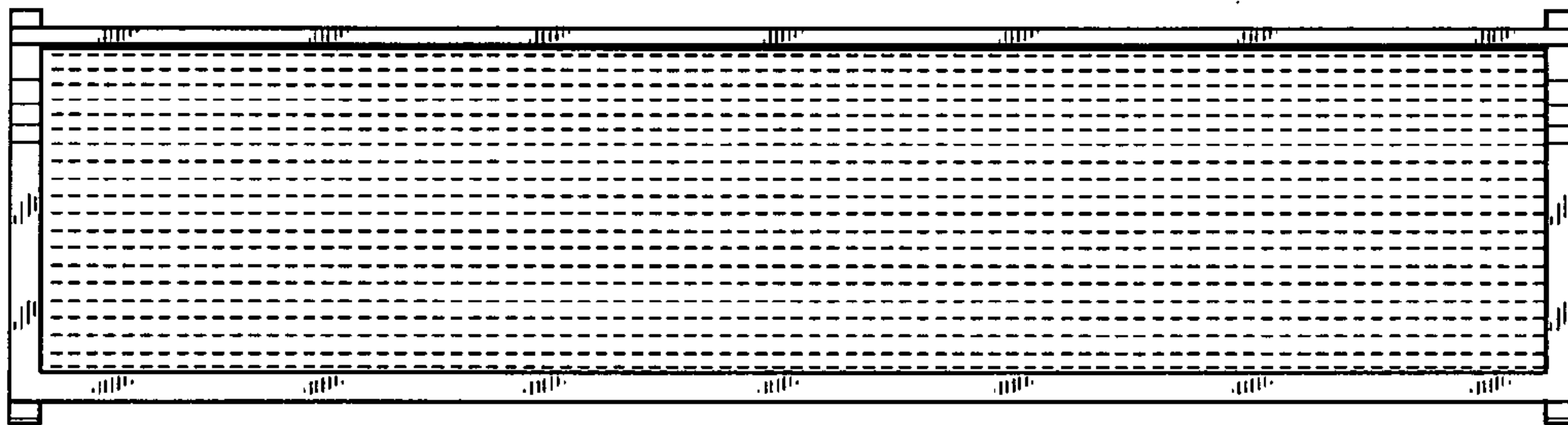


FIG. 11

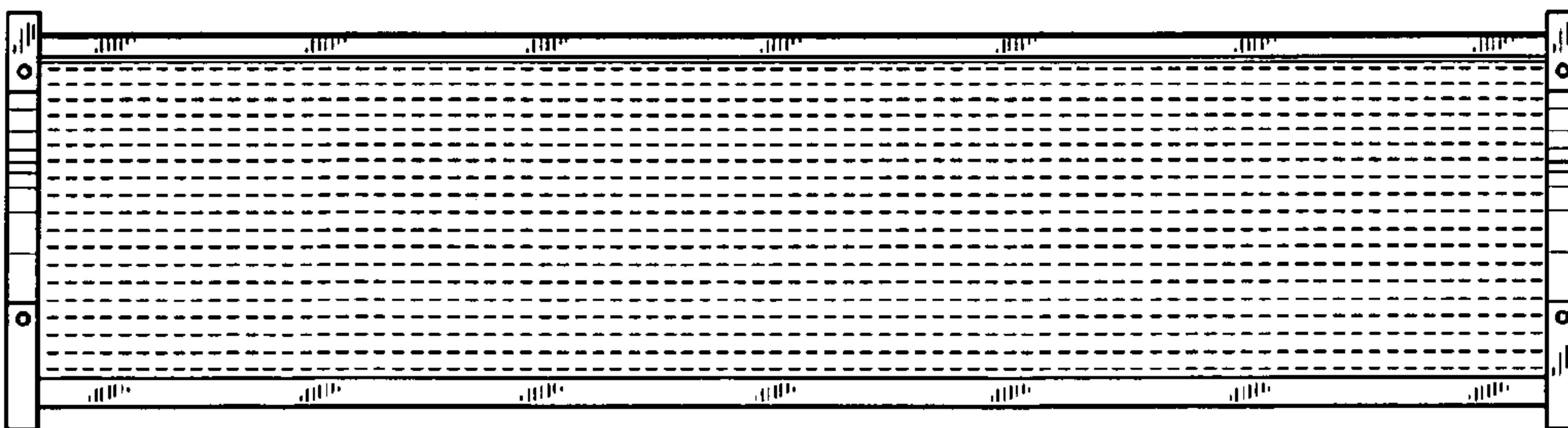


FIG. 12