



US00D590613S

(12) **United States Design Patent**
Ueda

(10) **Patent No.:** **US D590,613 S**
(45) **Date of Patent:** **** Apr. 21, 2009**

(54) **CHAIR**

(75) Inventor: **Nobuyuki Ueda**, Osaka (JP)

(73) Assignee: **Kokuyo Co., Ltd.**, Osaka (JP)

(**) Term: **14 Years**

(21) Appl. No.: **29/321,207**

(22) Filed: **Jul. 13, 2008**

(30) **Foreign Application Priority Data**

Jan. 16, 2008 (JP) 2008-000682

(51) **LOC (9) Cl.** **06-01**

(52) **U.S. Cl.** **D6/366**

(58) **Field of Classification Search** D6/334-336,
D6/364, 365, 366, 367, 374, 500-502; 297/284.1,
297/284.4, 452.11, 452.21, 452.29, 452.3,
297/463.1

See application file for complete search history.

(56) **References Cited**

U.S. PATENT DOCUMENTS

D463,144 S * 9/2002 Pennington et al. D6/366

D553,376 S * 10/2007 Nakamura et al. D6/366

D557,917 S * 12/2007 Nakamura et al. D6/366

* cited by examiner

Primary Examiner—Mimosa De
(74) *Attorney, Agent, or Firm*—Eaton Peabody Patent Group, LLC; Dennis R. Haszko

(57) **CLAIM**

The ornamental design for a chair, as shown and described.

DESCRIPTION

FIG. 1 is a front perspective view of the chair showing the design;

FIG. 2 is a rear perspective view thereof;

FIG. 3 is a front elevation view thereof;

FIG. 4 is a sectional view taken along the section line 3A—3A of FIG. 3, in which elements other than the section are not shown;

FIG. 5 is a sectional view taken along the section line 3B—3B of FIG. 3 in which the base portion is not shown;

FIG. 6 is a rear plan view thereof;

FIG. 7 is a top plan view thereof;

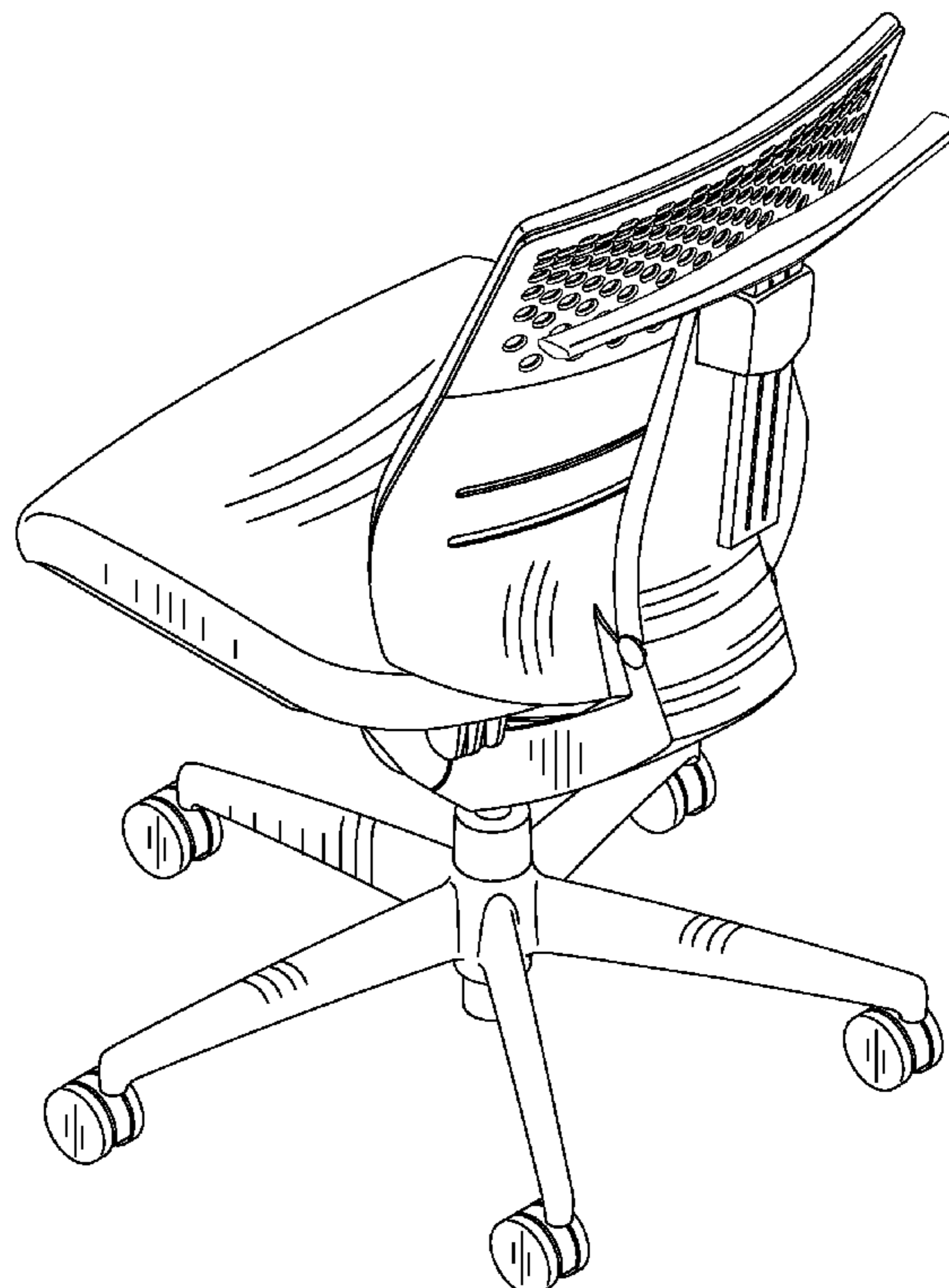
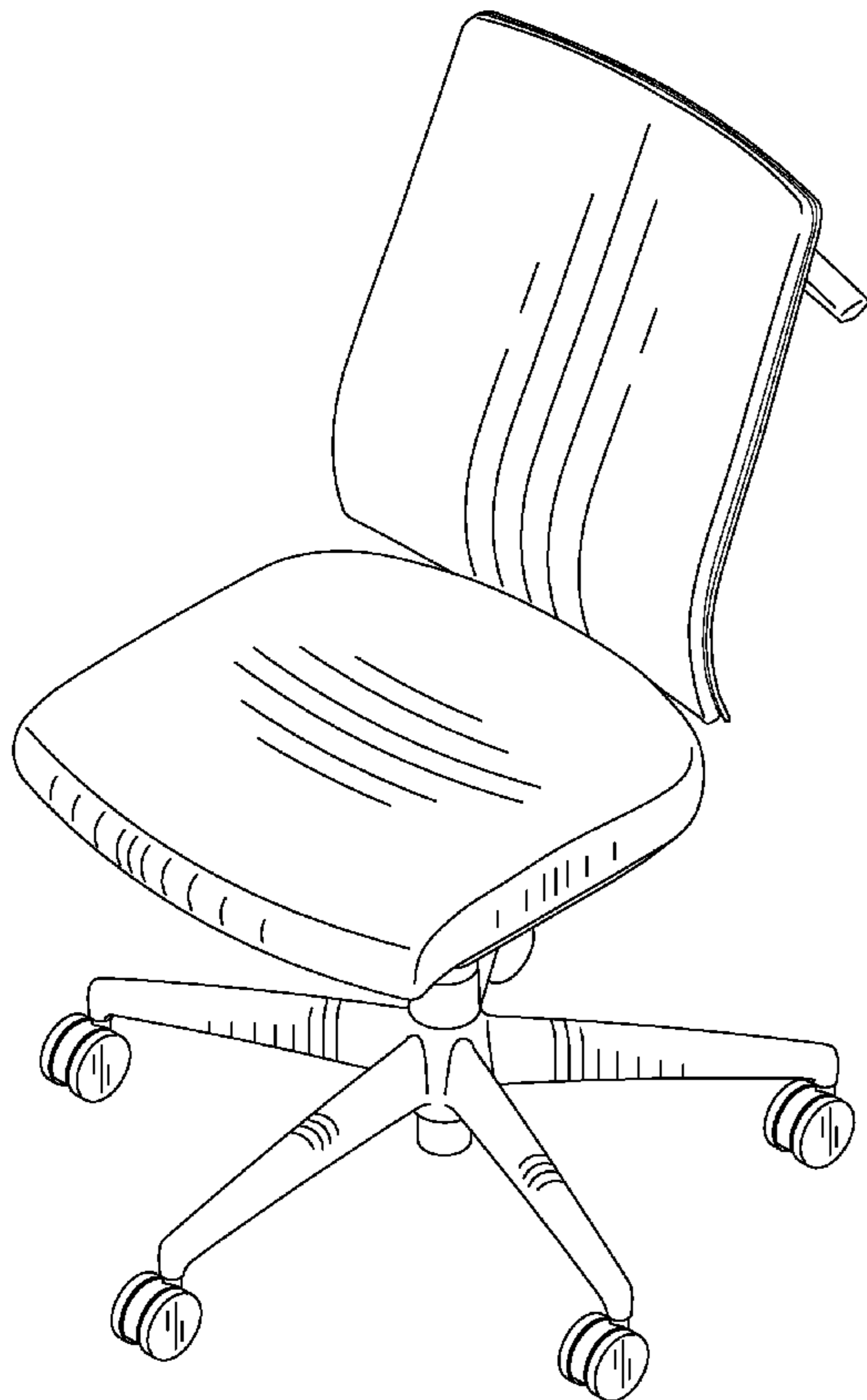
FIG. 8 is a bottom elevation view thereof;

FIG. 9 is a right elevation view thereof;

FIG. 10 is a left elevation view thereof; and,

FIG. 11 is a right elevation view showing the chair with a hanger portion in an elevated position.

1 Claim, 10 Drawing Sheets



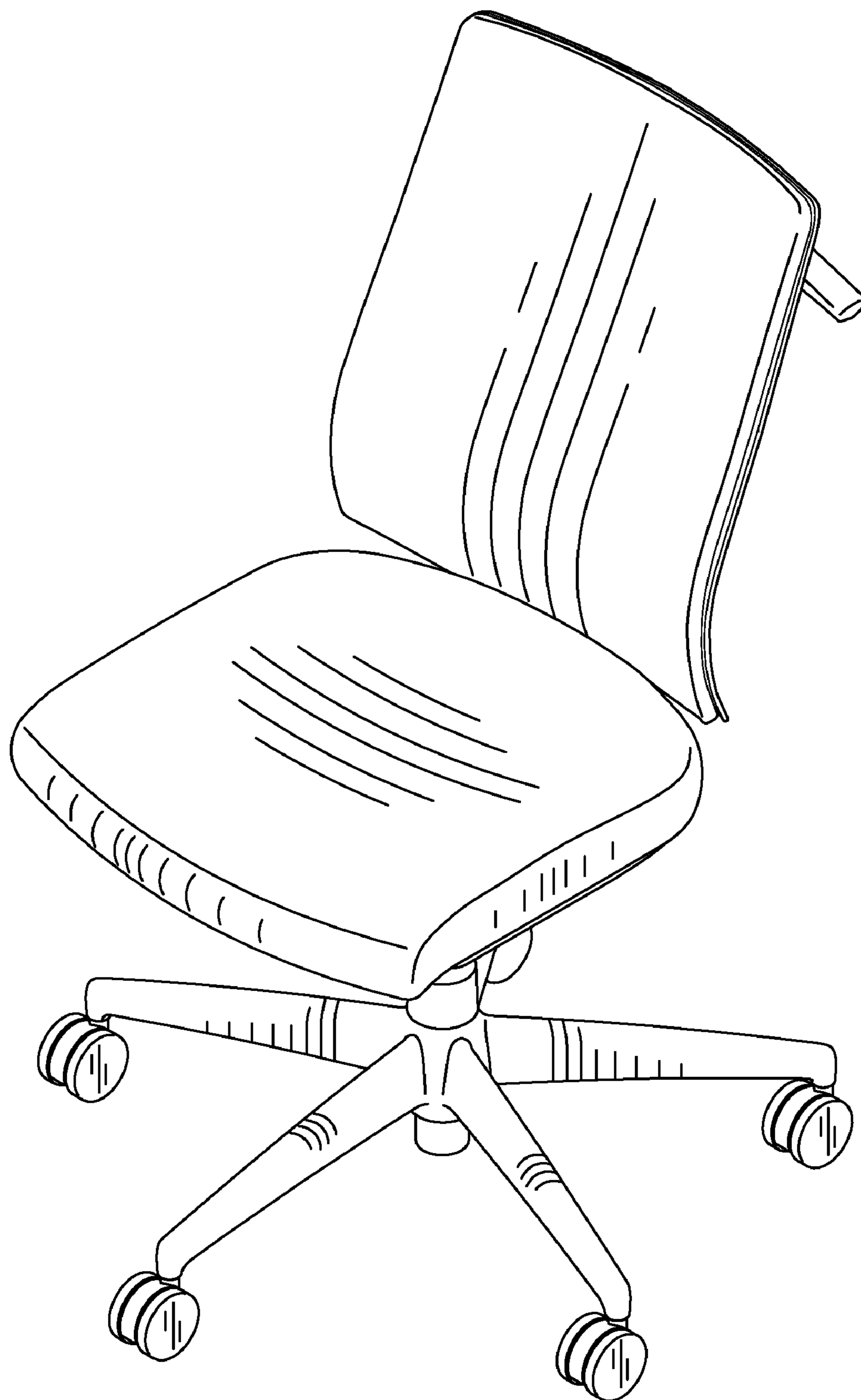


FIG. 1

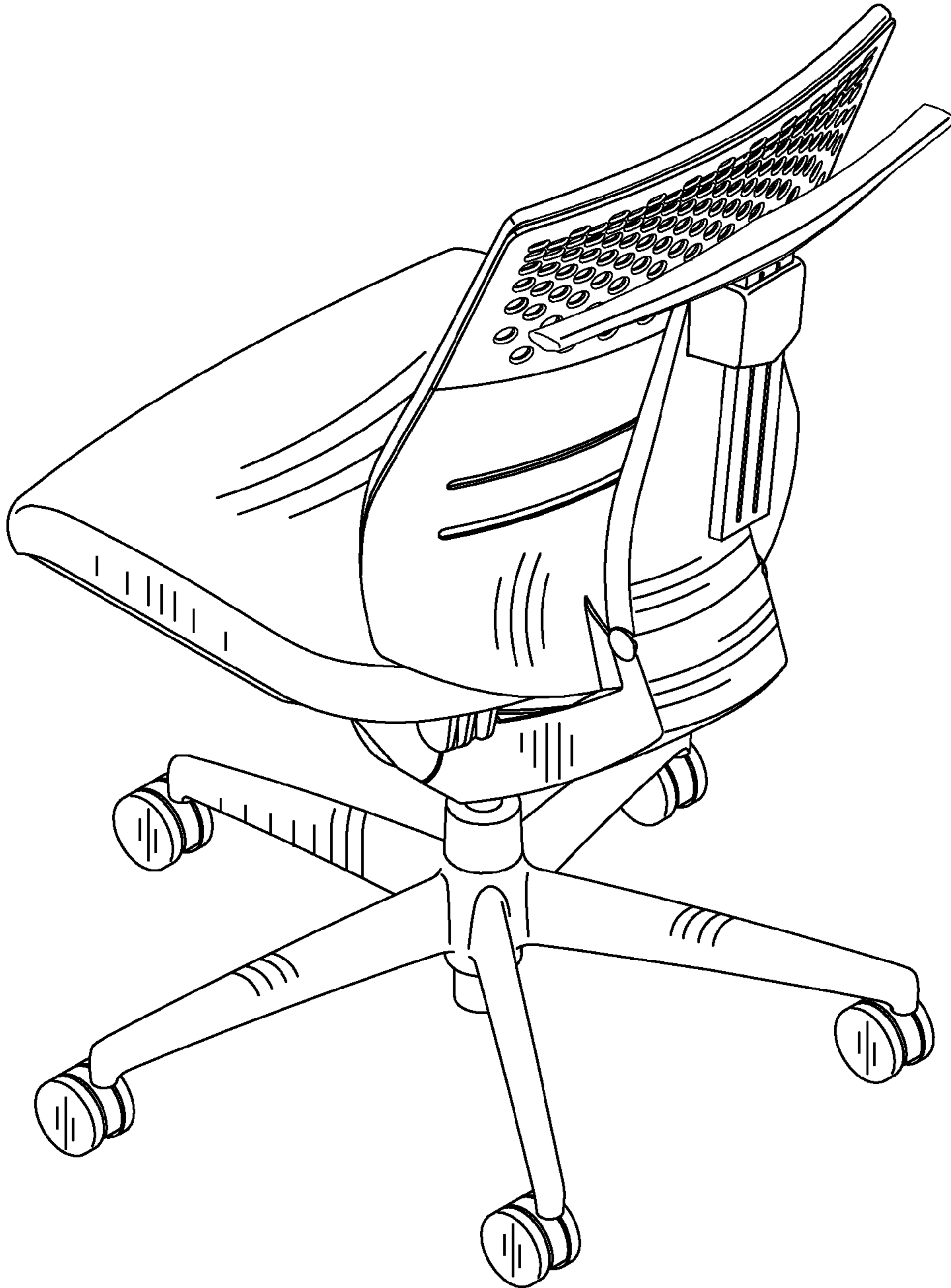


FIG. 2

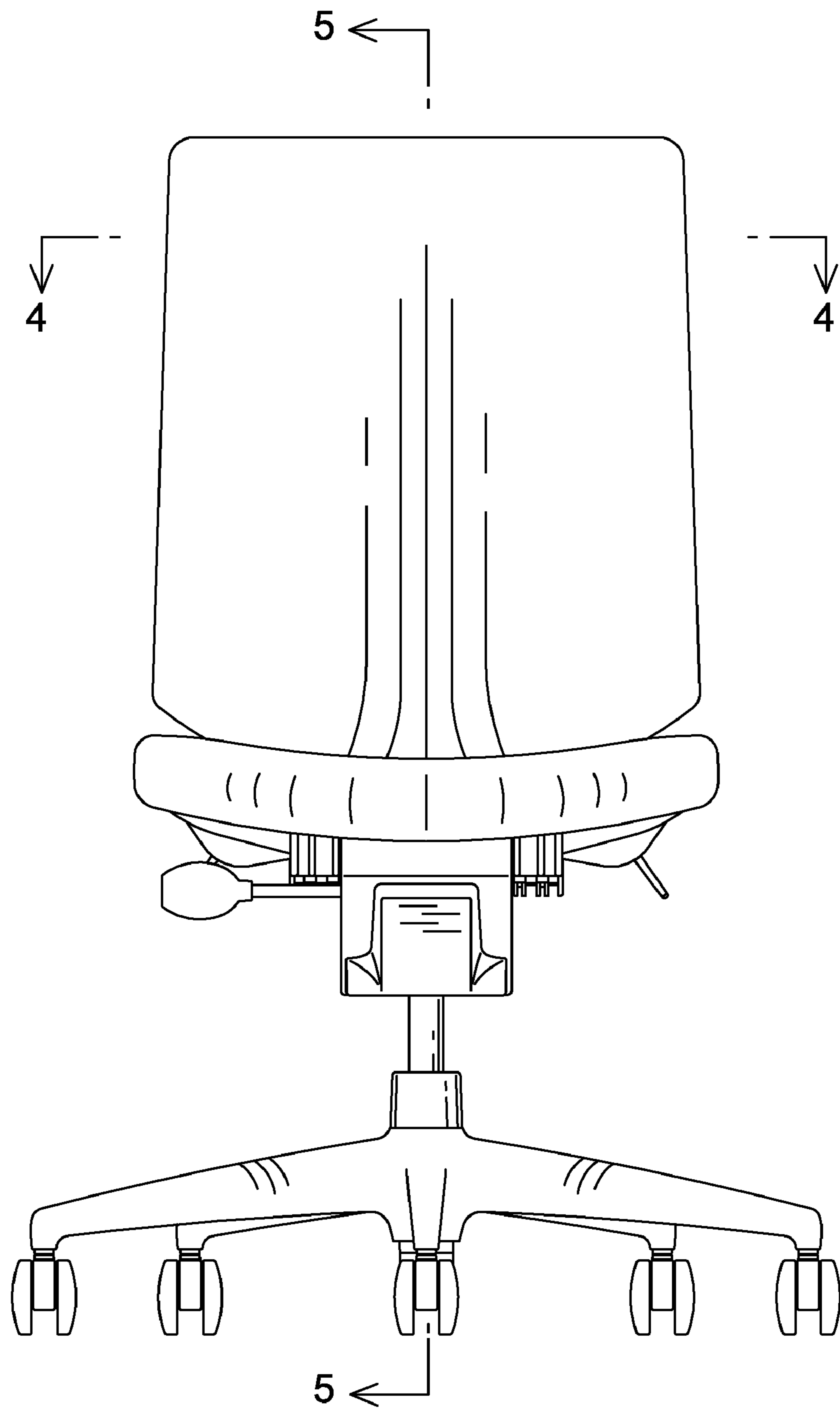


FIG. 3

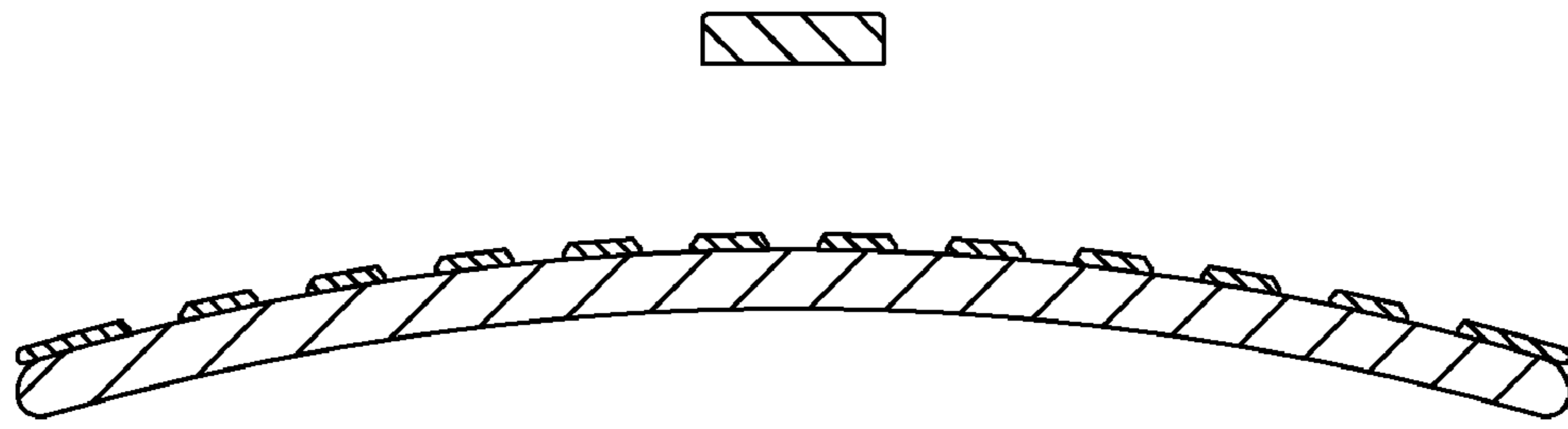


FIG. 4

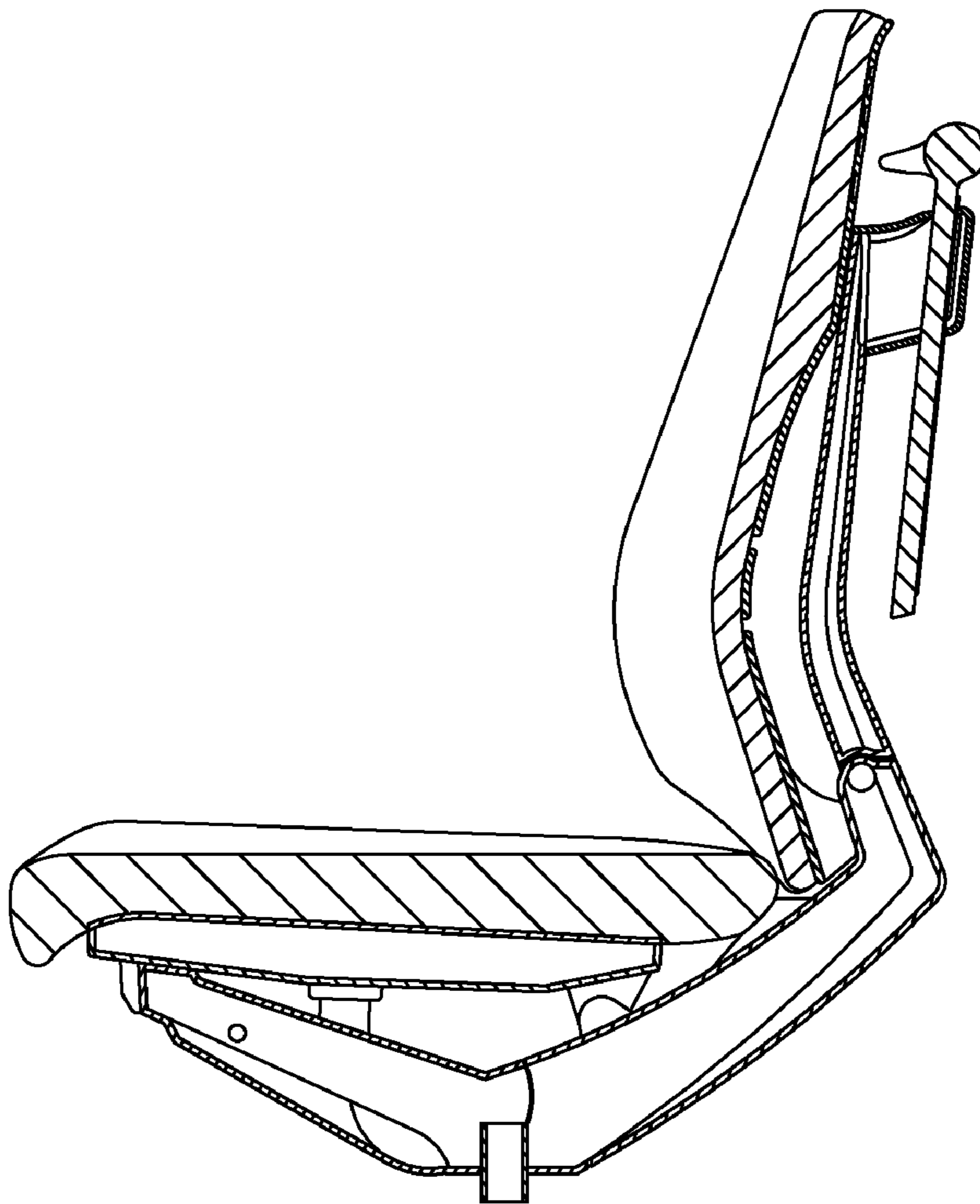


FIG. 5

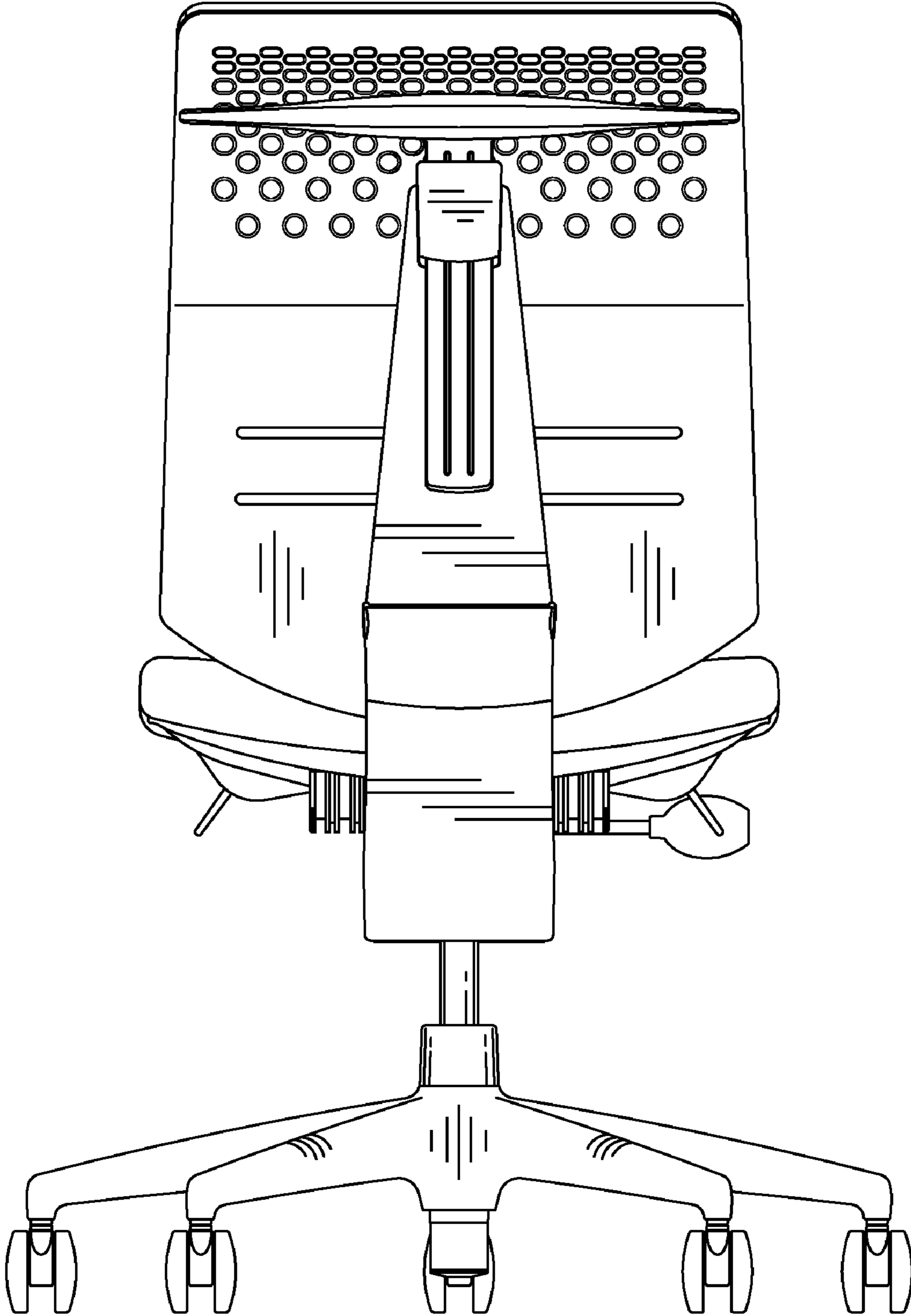


FIG. 6

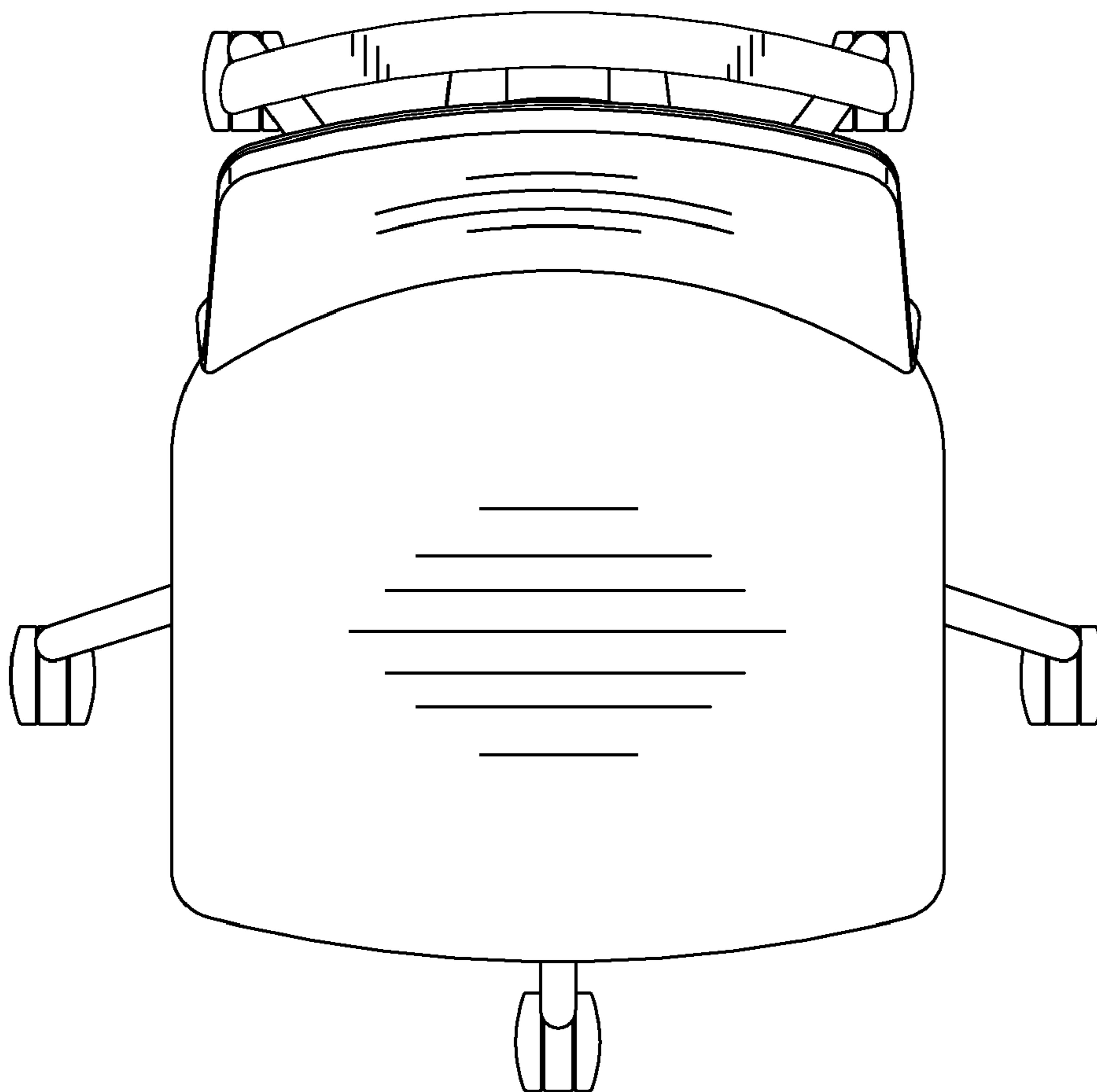


FIG. 7

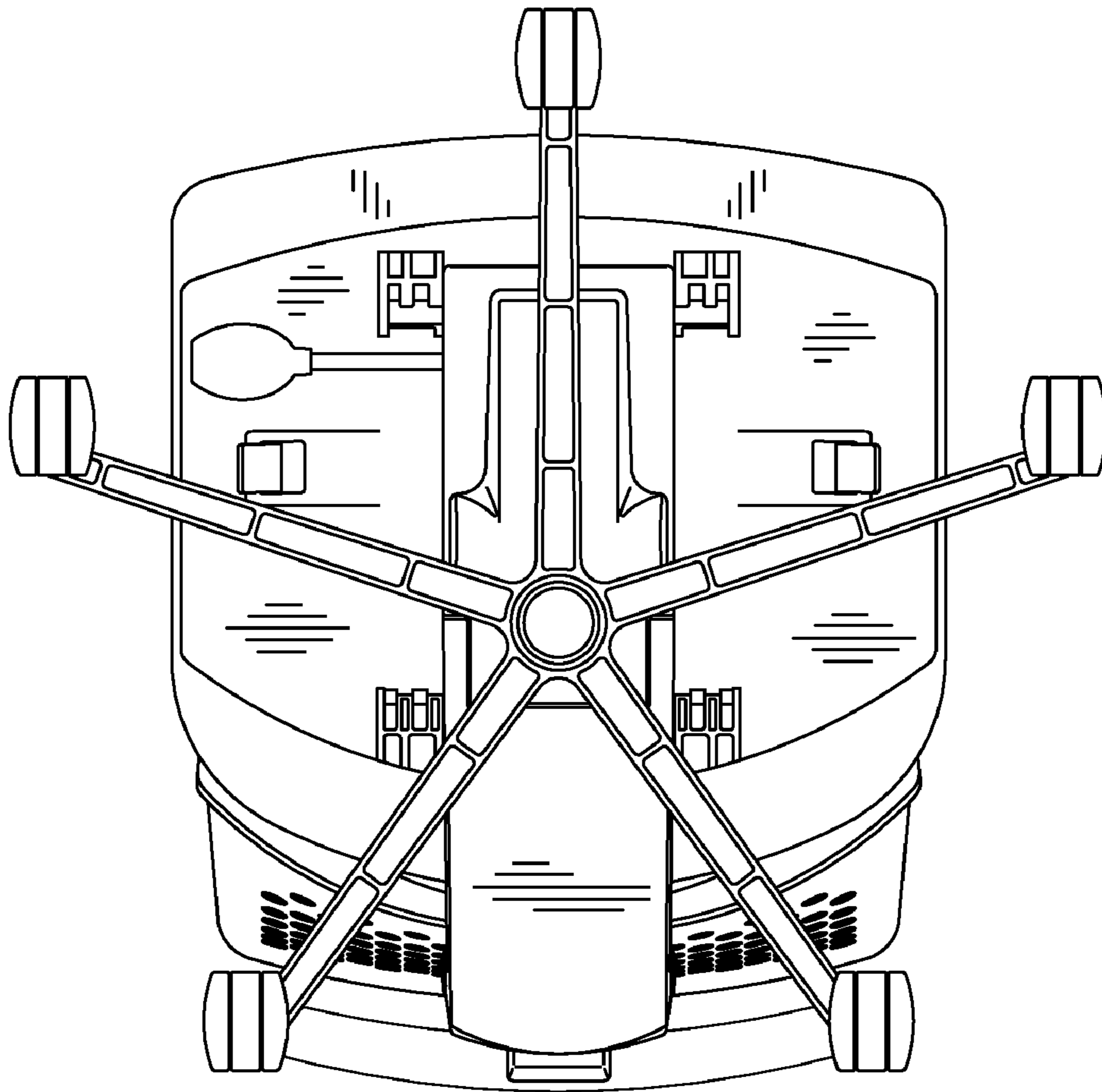


FIG. 8

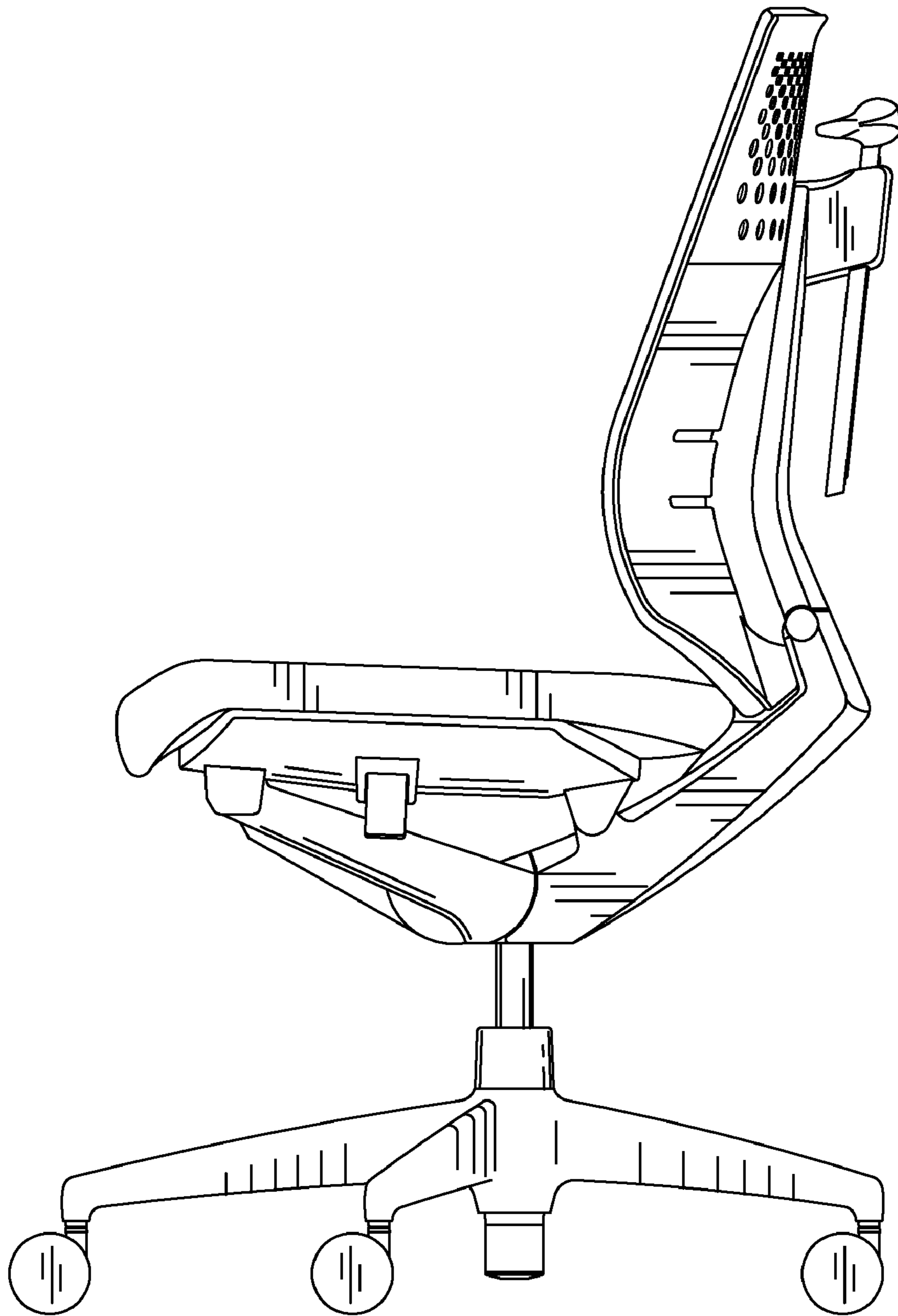


FIG. 9

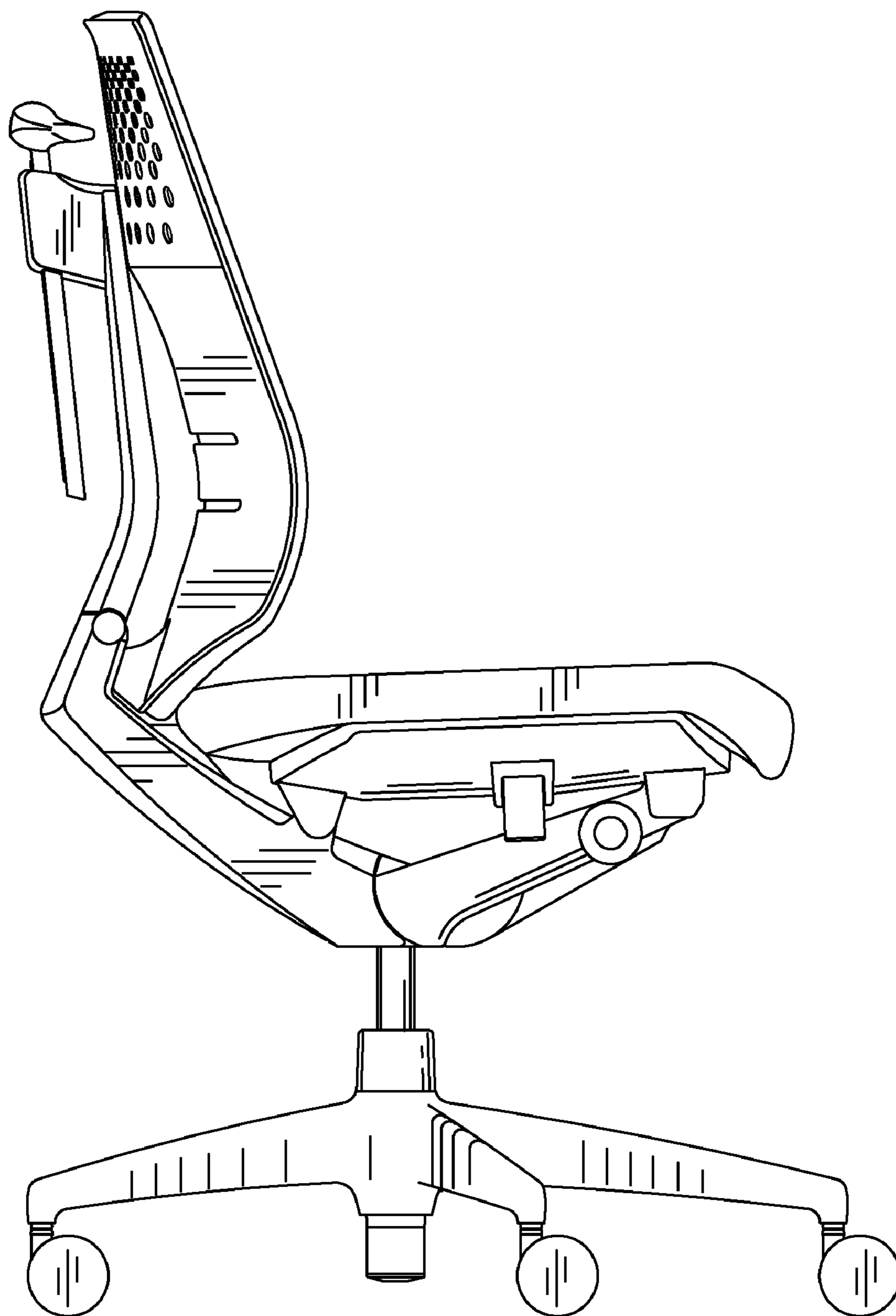


FIG. 10

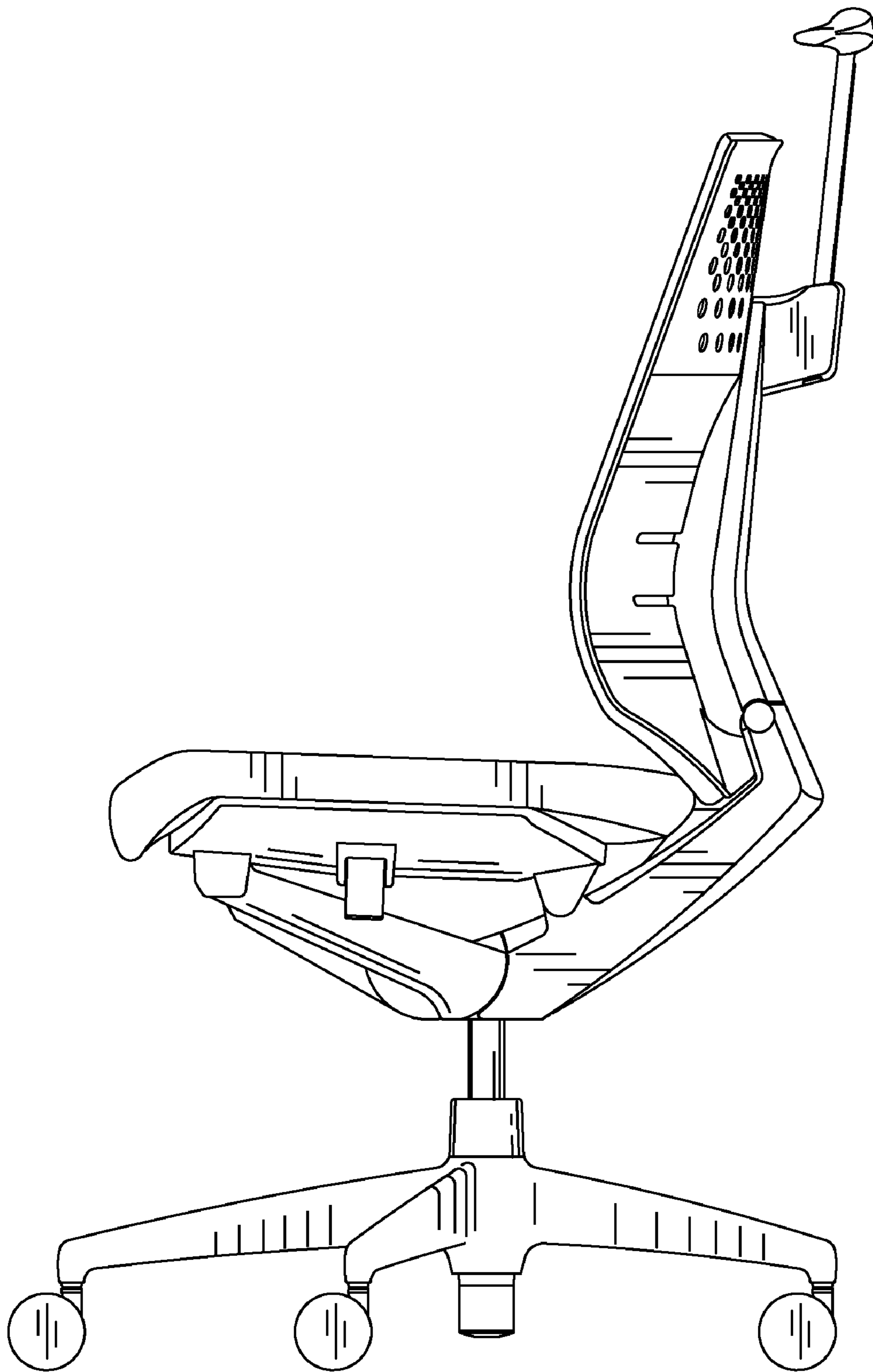


FIG. 11