



US00D590610S

(12) **United States Design Patent**
Pappas

(10) **Patent No.:** **US D590,610 S**
(45) **Date of Patent:** **** Apr. 21, 2009**

(54) **BACKLESS BENCH**

(76) Inventor: **Mark Pappas**, P.O. Box 2458, Rancho Mirage, CA (US) 92270

(**) Term: **14 Years**

(21) Appl. No.: **29/312,921**

(22) Filed: **Nov. 20, 2008**

(51) **LOC (9) Cl.** **06-01**

(52) **U.S. Cl.** **D6/355; D6/370**

(58) **Field of Classification Search** D6/334-336,
D6/349, 355, 370, 374, 376, 379, 380, 381,
D6/499, 500-502; 297/232, 445.1, 446.1,
297/448.1, 452.12, 452.63

See application file for complete search history.

(56) **References Cited**

U.S. PATENT DOCUMENTS

D457,738 S *	5/2002	Slear et al.	D6/355
D503,552 S *	4/2005	Messier	D6/355
D510,199 S *	10/2005	Messier	D6/355
D512,229 S *	12/2005	Reza-Hadden	D6/355
D559,569 S *	1/2008	Pappas	D6/355
D579,227 S *	10/2008	Skalka	D6/381

* cited by examiner

Primary Examiner—Mimosa De

(74) *Attorney, Agent, or Firm*—Thomas M. Freiburger

(57) **CLAIM**

The ornamental design for a backless bench, substantially as shown and described.

DESCRIPTION

FIG. 1 is a frontal perspective view showing a backless bench according to my new design, the dashed lines indicating seat structure not forming a part of my design;

FIG. 2 is a right side elevation view thereof, the left side elevation being identical;

FIG. 3 is a front elevation view thereof, the dashed lines indicating seat structure not forming a part of my design;

FIG. 4 is a rear elevation view thereof, the dashed lines indicating seat structure not forming a part of my design;

FIG. 5 is a top plan view thereof, the dashed lines indicating seat structure not forming a part of my design;

FIG. 6 is a bottom plan view thereof, the dashed lines indicating seat structure not forming a part of my design;

FIG. 7 is a perspective view showing a second embodiment of a backless bench according to my new design, the dashed lines indicating seat structure not forming a part of my design;

FIG. 8 is a right side elevation view thereof, the left side elevation being identical;

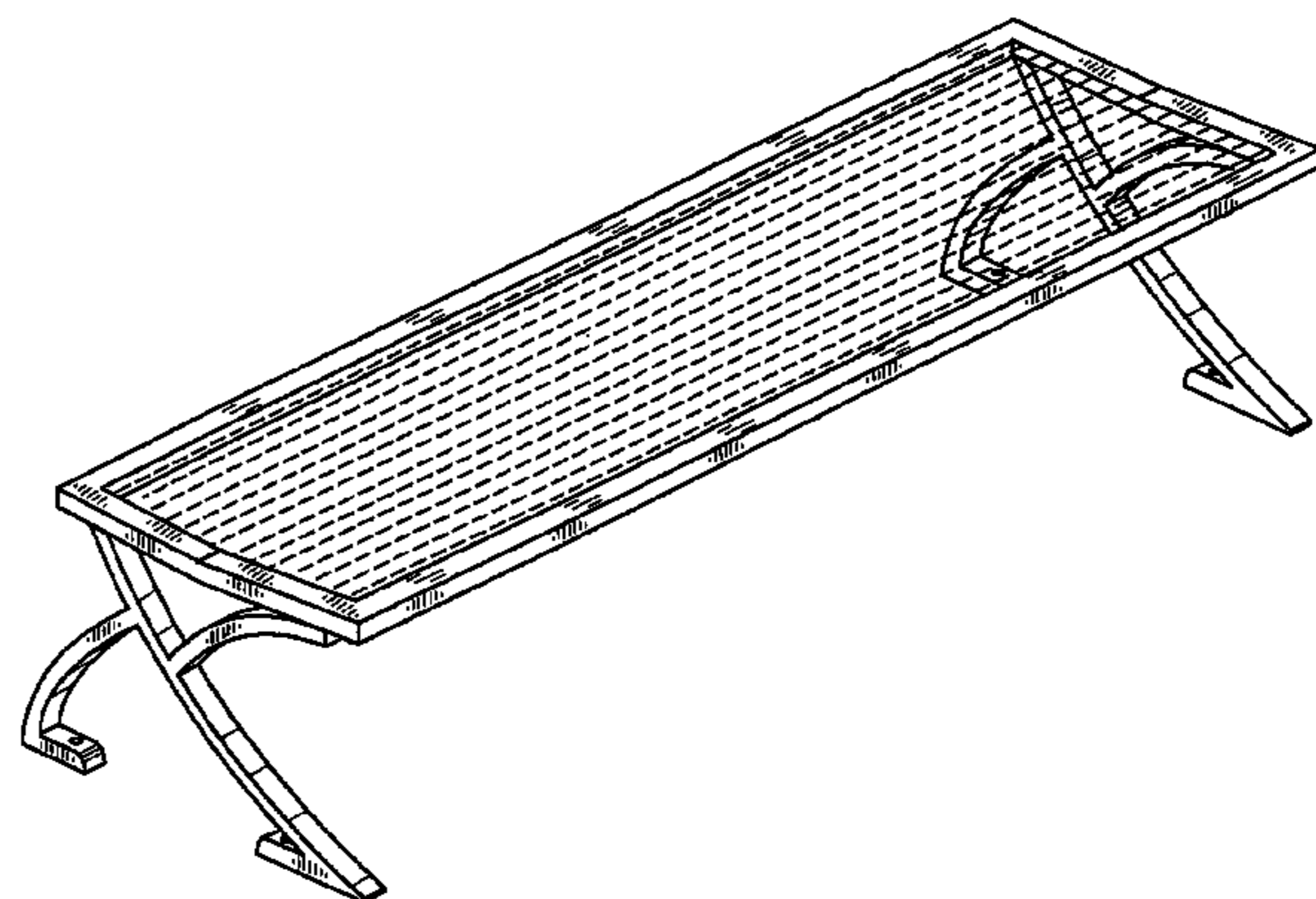
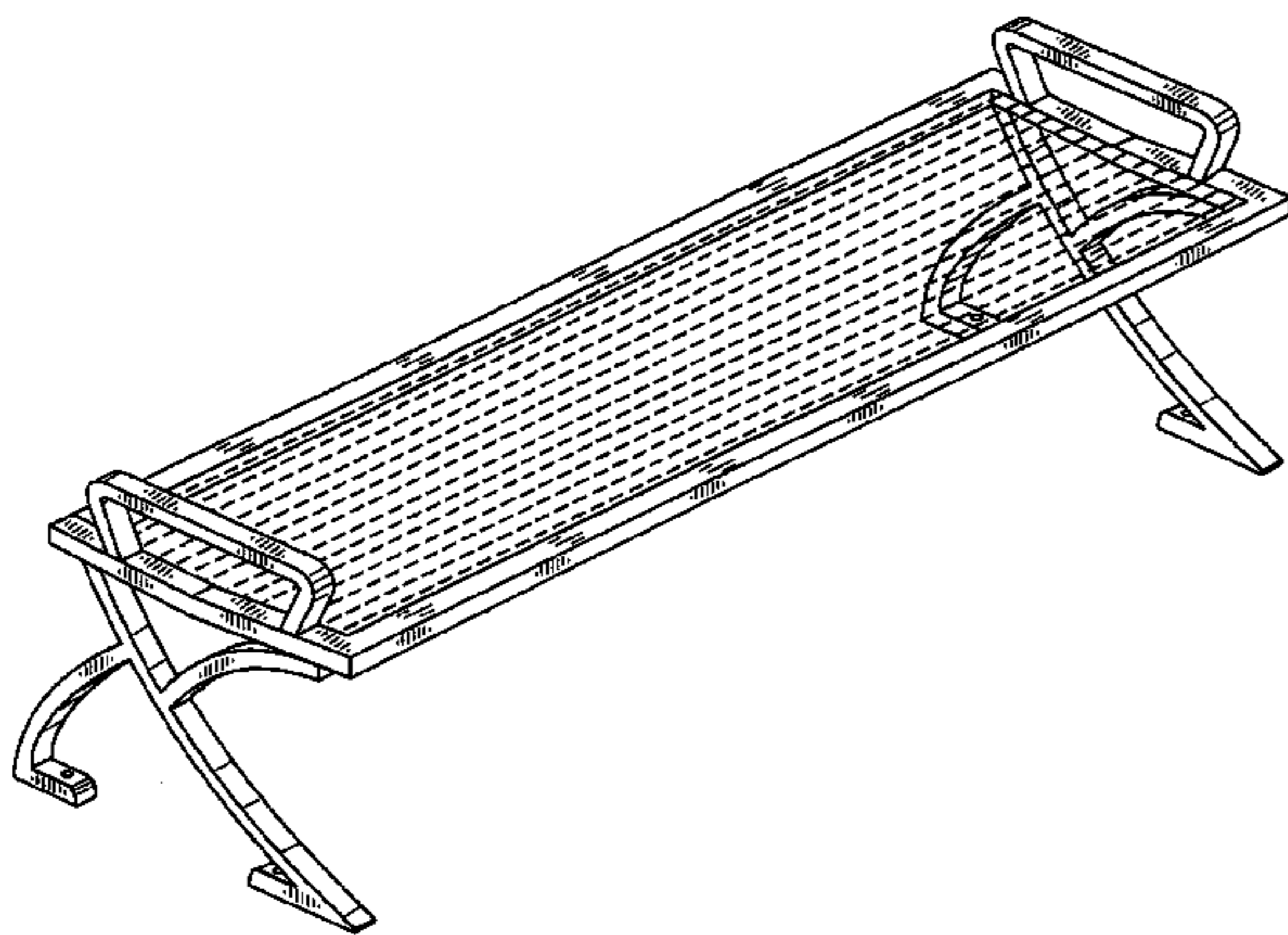
FIG. 9 is a front elevation view thereof, the dashed lines indicating seat structure not forming a part of my design;

FIG. 10 is a rear elevation view thereof, the dashed lines indicating seat structure not forming a part of my design;

FIG. 11 is a top plan view thereof, the dashed lines indicating seat structure not forming a part of my design; and,

FIG. 12 is a bottom plan view thereof.

1 Claim, 4 Drawing Sheets



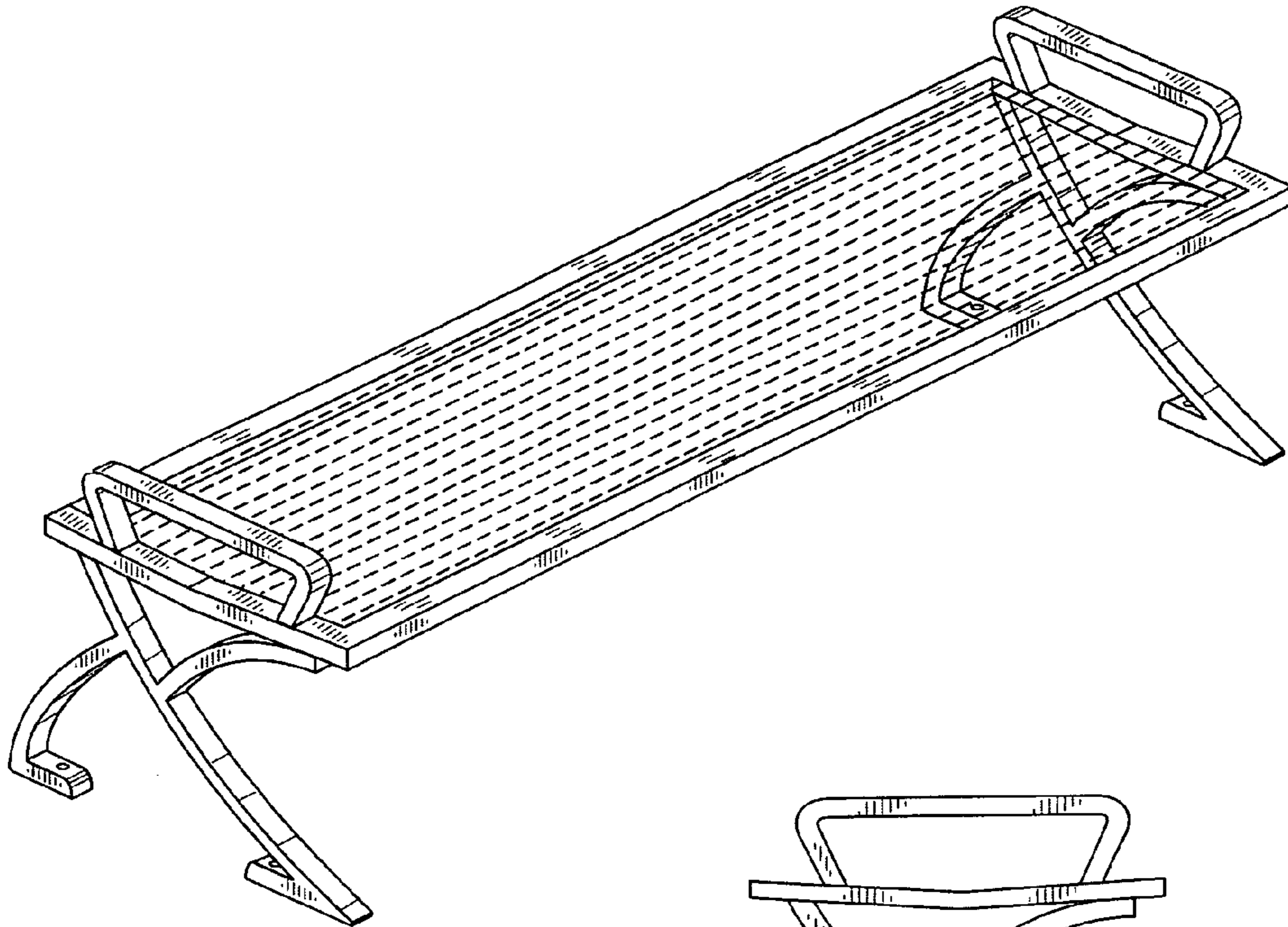


FIG. 1

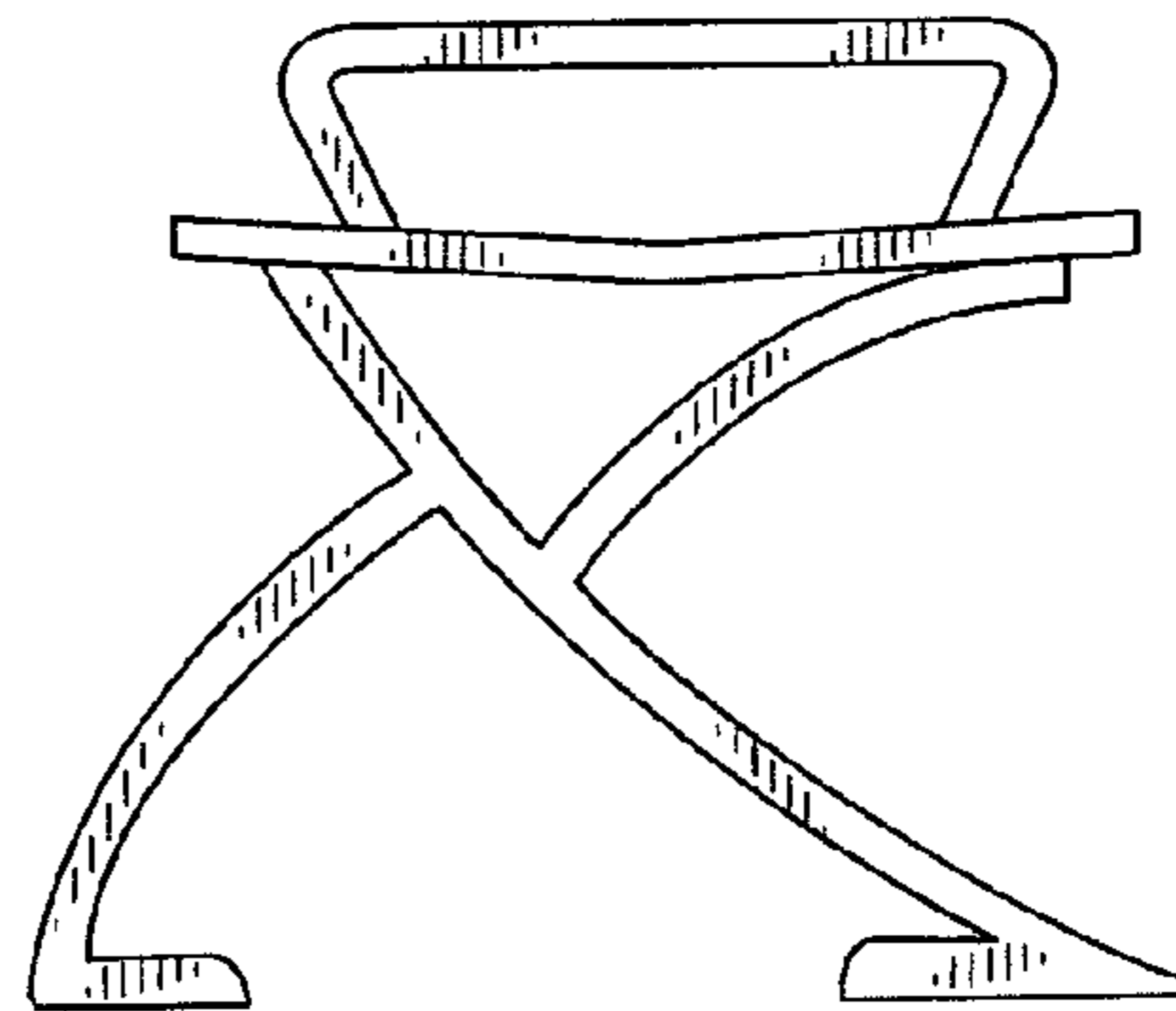


FIG. 2

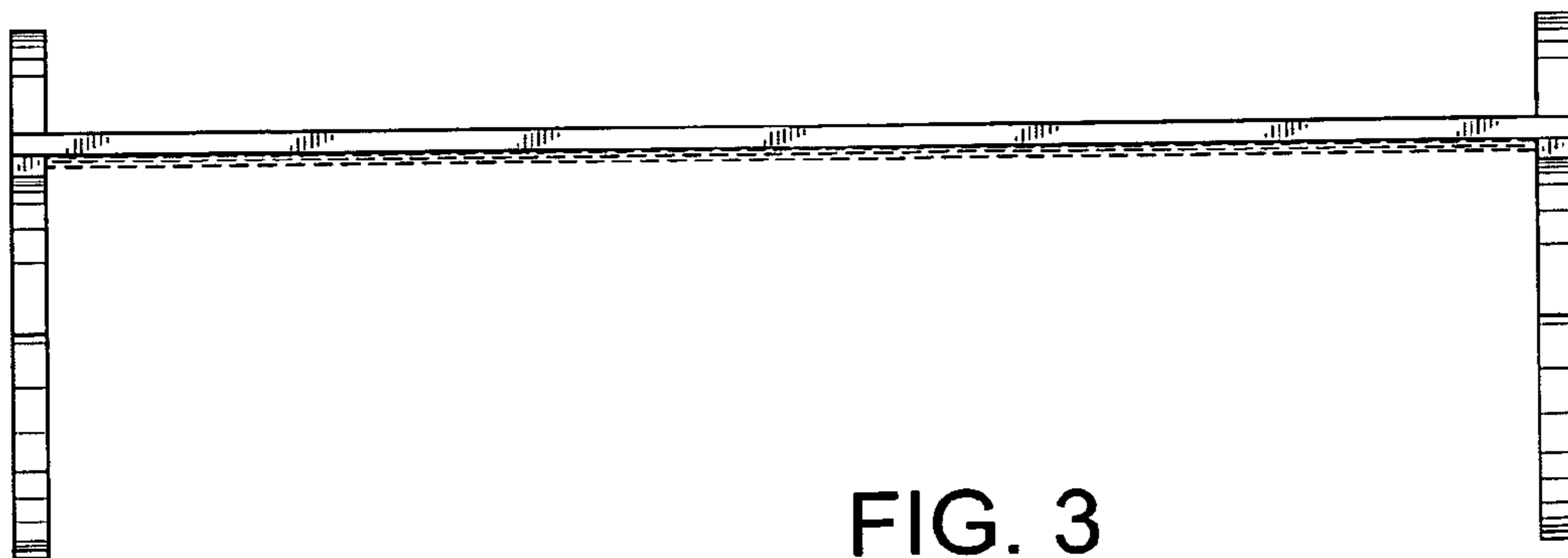


FIG. 3

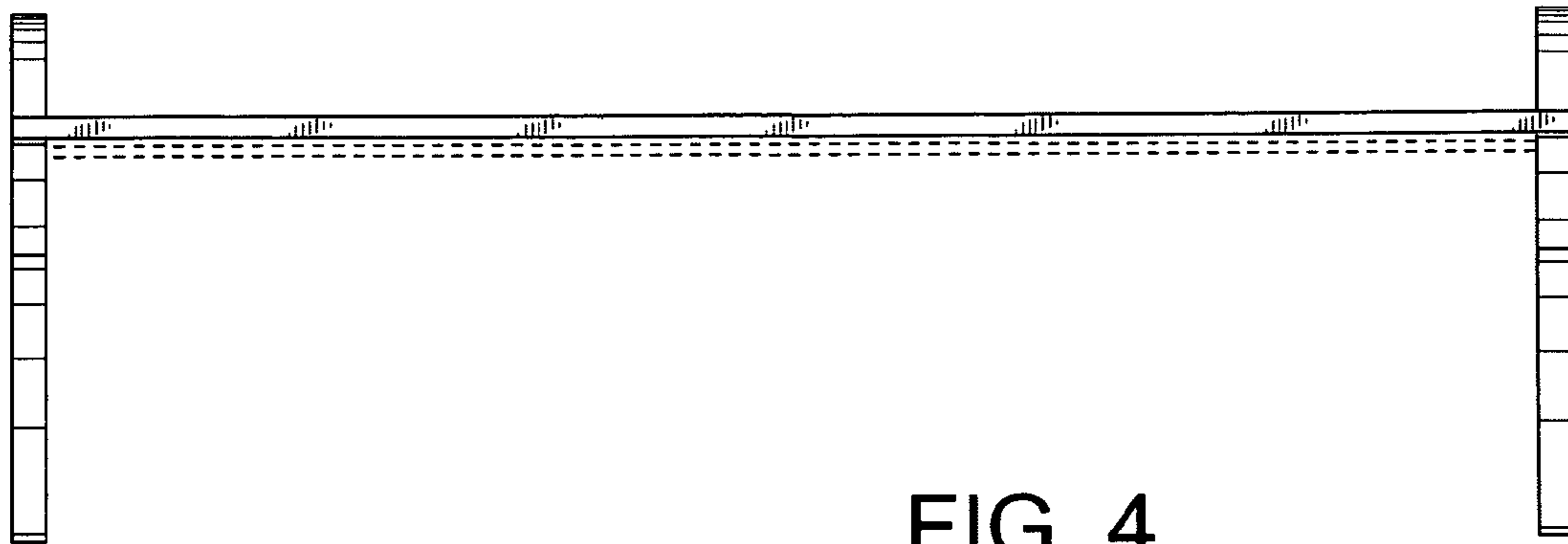


FIG. 4

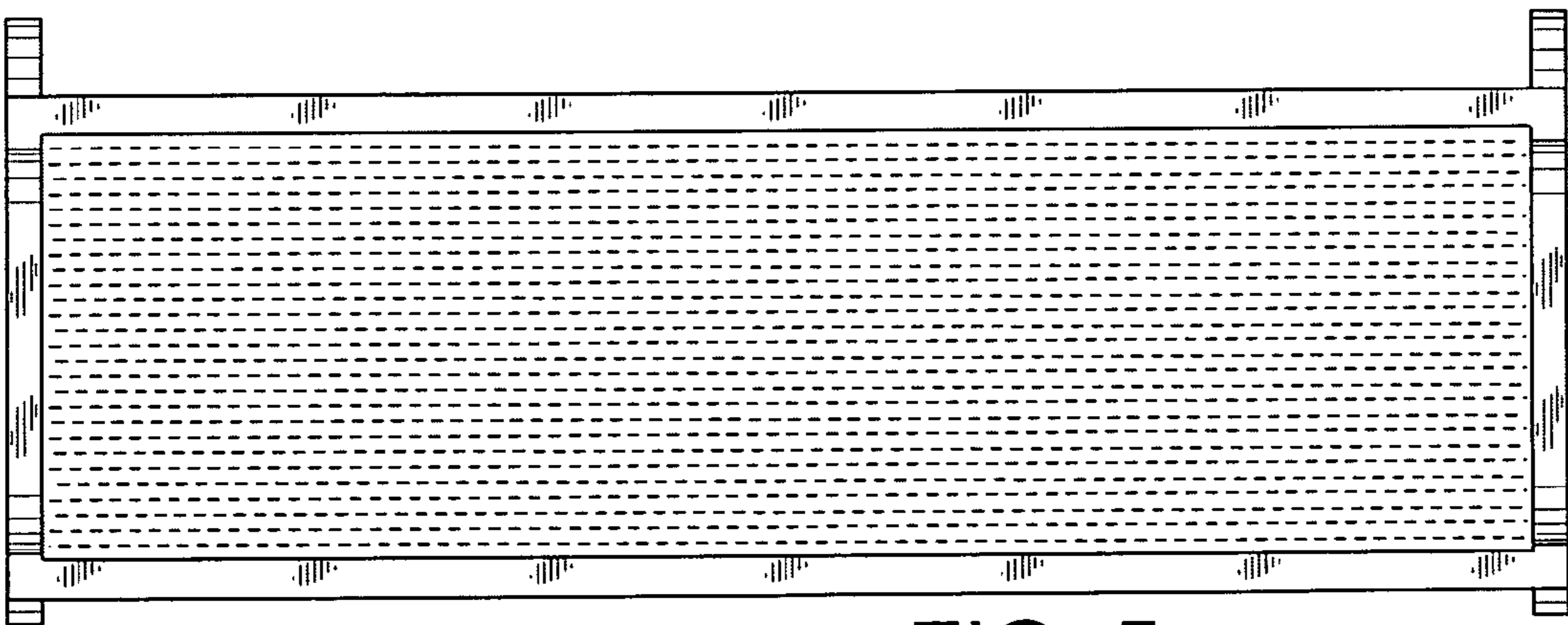


FIG. 5

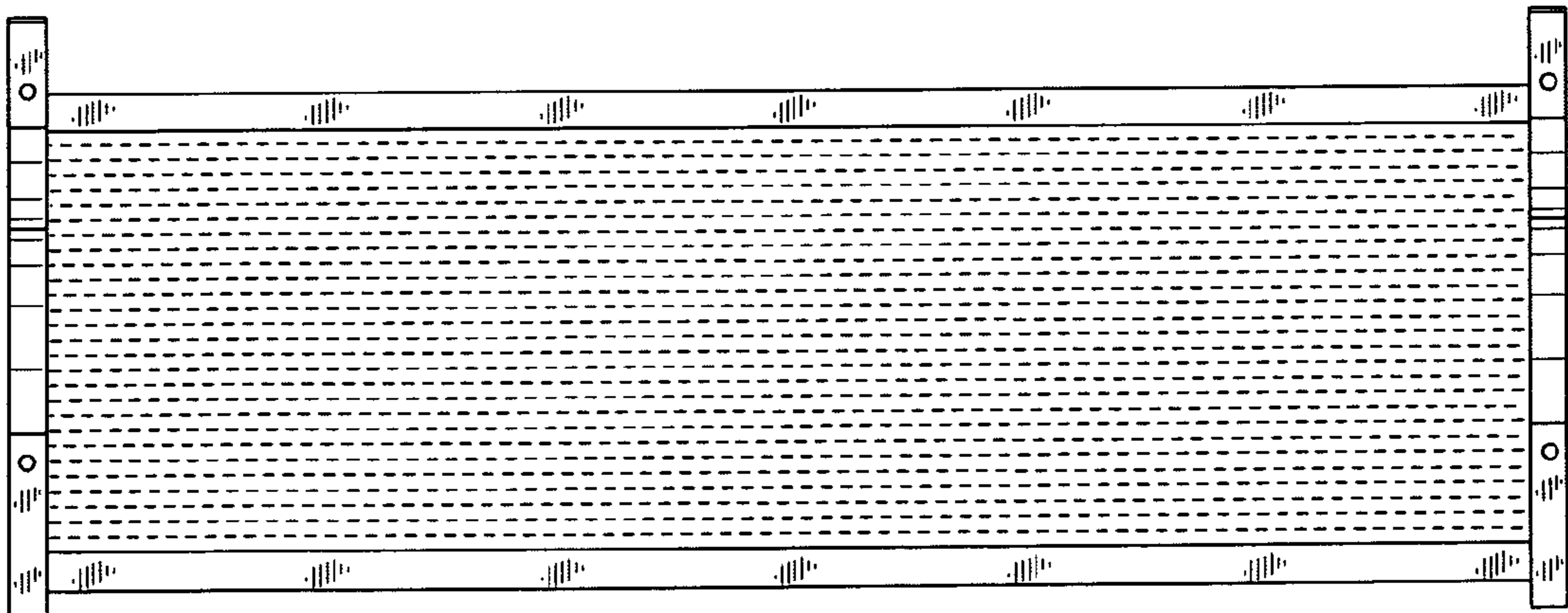


FIG. 6

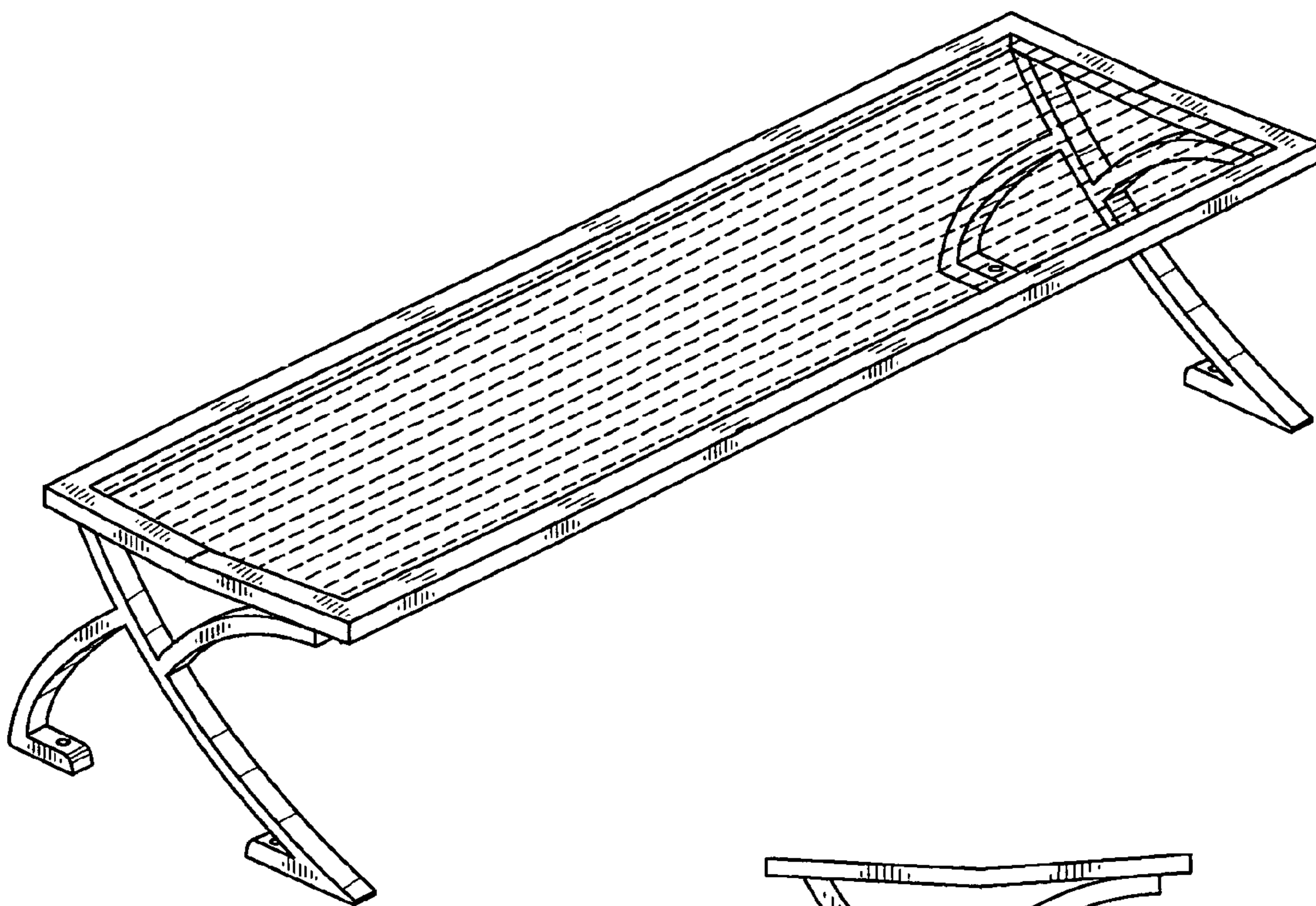


FIG. 7

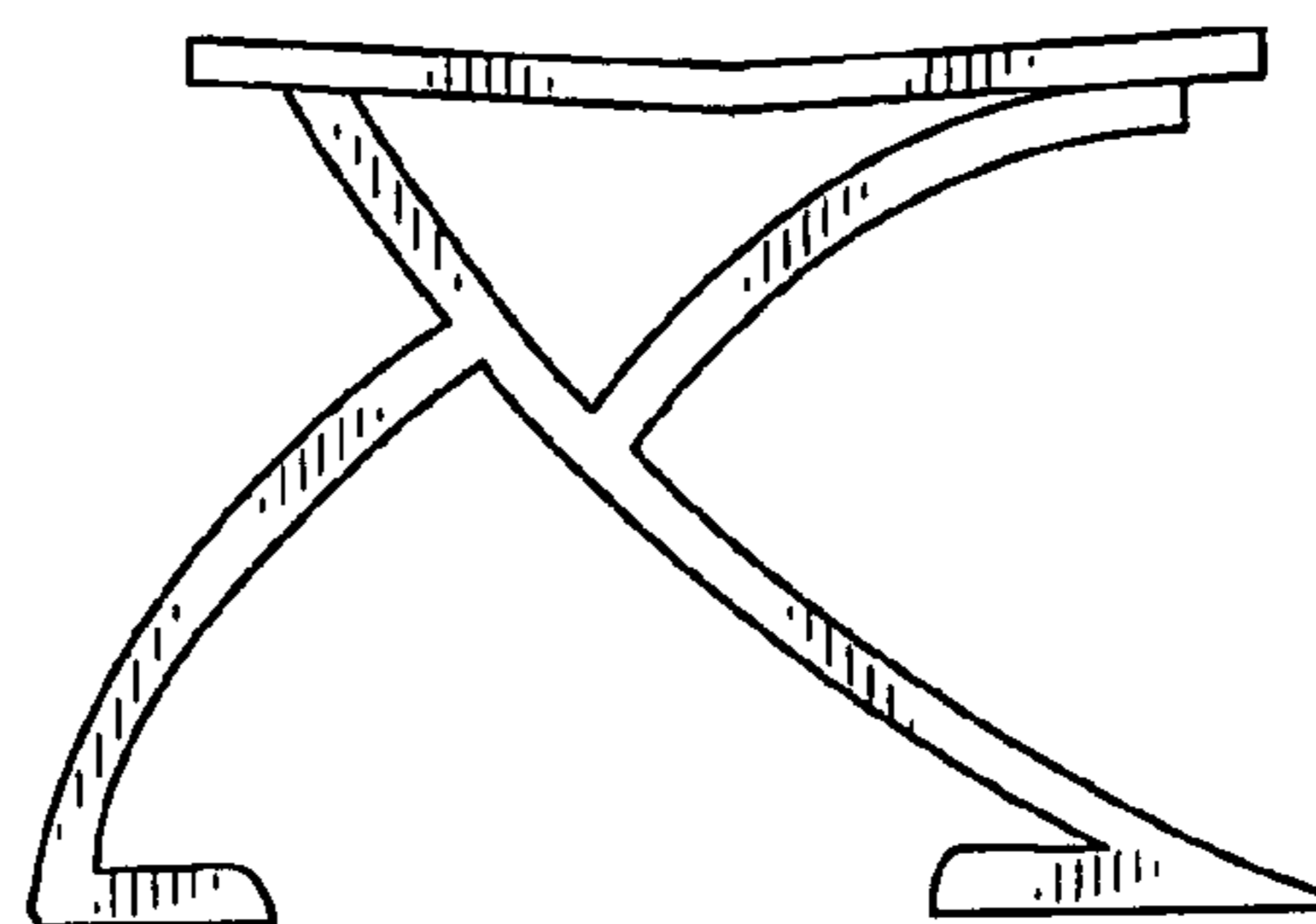


FIG. 8

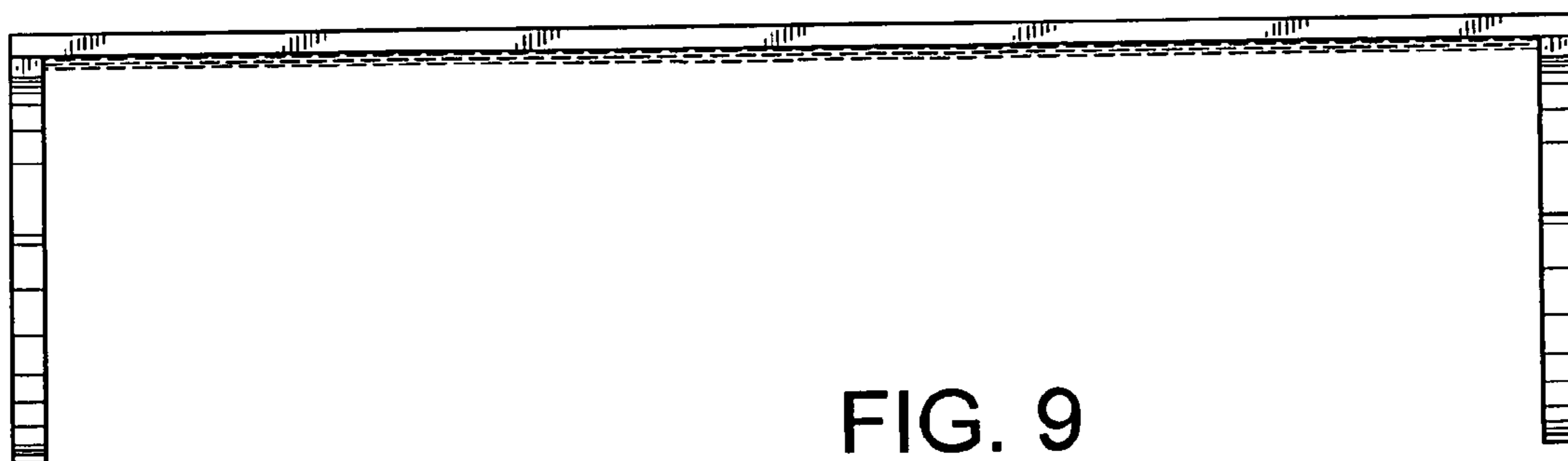


FIG. 9

