



US00D590608S

(12) **United States Design Patent**
Ebina

(10) **Patent No.:** **US D590,608 S**

(45) **Date of Patent:** **** Apr. 21, 2009**

(54) **BABY CHAIR**

(75) Inventor: **Noriyuki Ebina**, Hokkaido (JP)

(73) Assignee: **Yamatoya Co., Ltd.**, Aichi-ken (JP)

(**) Term: **14 Years**

(21) Appl. No.: **29/300,390**

(22) Filed: **Mar. 20, 2008**

(30) **Foreign Application Priority Data**

Sep. 21, 2007 (JP) 2007-025703

(51) **LOC (9) Cl.** **06-01**

(52) **U.S. Cl.** **D6/339**

(58) **Field of Classification Search** D6/333-335,
D6/339, 491, 499-502; D12/129; D21/412,
D21/416, 419; 280/30, 31; 5/93.1, 93.2,
5/94, 98.1, 99.1, 101, 102, 655; 297/183.1,
297/183.2, 183.3, 183.4, 184.14, 184.15,
297/250.1, 255, 256.15, 256.16

See application file for complete search history.

(56) **References Cited**

U.S. PATENT DOCUMENTS

3,879,083	A *	4/1975	Olsson	297/1
D248,516	S *	7/1978	Johansson	D6/335
D257,298	S *	10/1980	Temple	D6/373
4,723,813	A *	2/1988	Kassai	297/153
D306,803	S *	3/1990	Kassai	D6/339
5,087,097	A *	2/1992	Hehn	297/153
D327,180	S *	6/1992	Fonville	D6/339
D357,128	S *	4/1995	Watson et al.	D6/335
D362,554	S *	9/1995	Grundner	D6/339
D365,449	S *	12/1995	Wood	D6/333
5,634,687	A *	6/1997	Gamble	297/338
5,806,922	A *	9/1998	Mendelovich	297/130
D409,007	S *	5/1999	Osterweil-Glaz et al.	D6/335

6,010,184	A *	1/2000	Lee et al.	297/130
6,082,814	A *	7/2000	Celestina-Krevh et al.	..	297/118
6,089,654	A *	7/2000	Burstein	297/151
D441,553	S *	5/2001	Ware, Sr.	D6/335
D442,789	S *	5/2001	Presnell et al.	D6/339
6,634,712	B2 *	10/2003	Gamble	297/338
6,659,544	B2 *	12/2003	Hollett et al.	297/130
6,938,952	B2 *	9/2005	Dauterive	297/130
D517,336	S *	3/2006	Engelstad	D6/367
D546,081	S *	7/2007	Babikian et al.	D6/339
2001/0019219	A1 *	9/2001	Helmsderfer	297/130

* cited by examiner

Primary Examiner—Sandra Snapp

(74) *Attorney, Agent, or Firm*—Clark & Brody

(57) **CLAIM**

The ornamental design for a baby chair, as shown and described.

DESCRIPTION

FIG. 1 is a first front and right side perspective view of a baby chair, showing my new design;

FIG. 2 is a second front and right side perspective view thereof;

FIG. 3 is a rear right side perspective view thereof;

FIG. 4 is a top view thereof;

FIG. 5 is a bottom view thereof;

FIG. 6 is a front view thereof;

FIG. 7 is a rear view thereof;

FIG. 8 is a right side perspective view thereof; and,

FIG. 9 is a left side perspective view thereof.

The broken lines in the drawings are shown for illustrative purposes only and form no part of the claimed design.

1 Claim, 9 Drawing Sheets

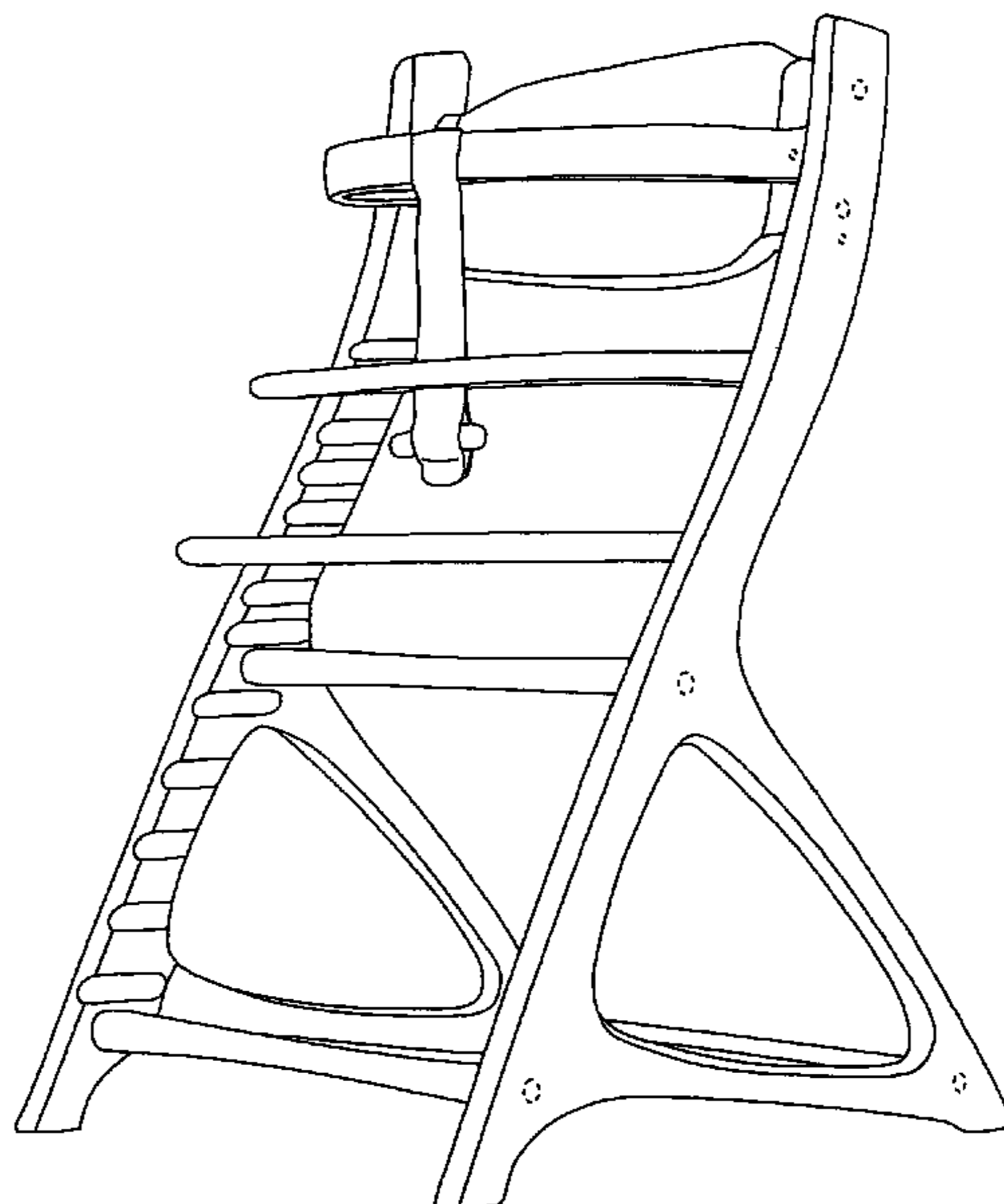


FIGURE 1

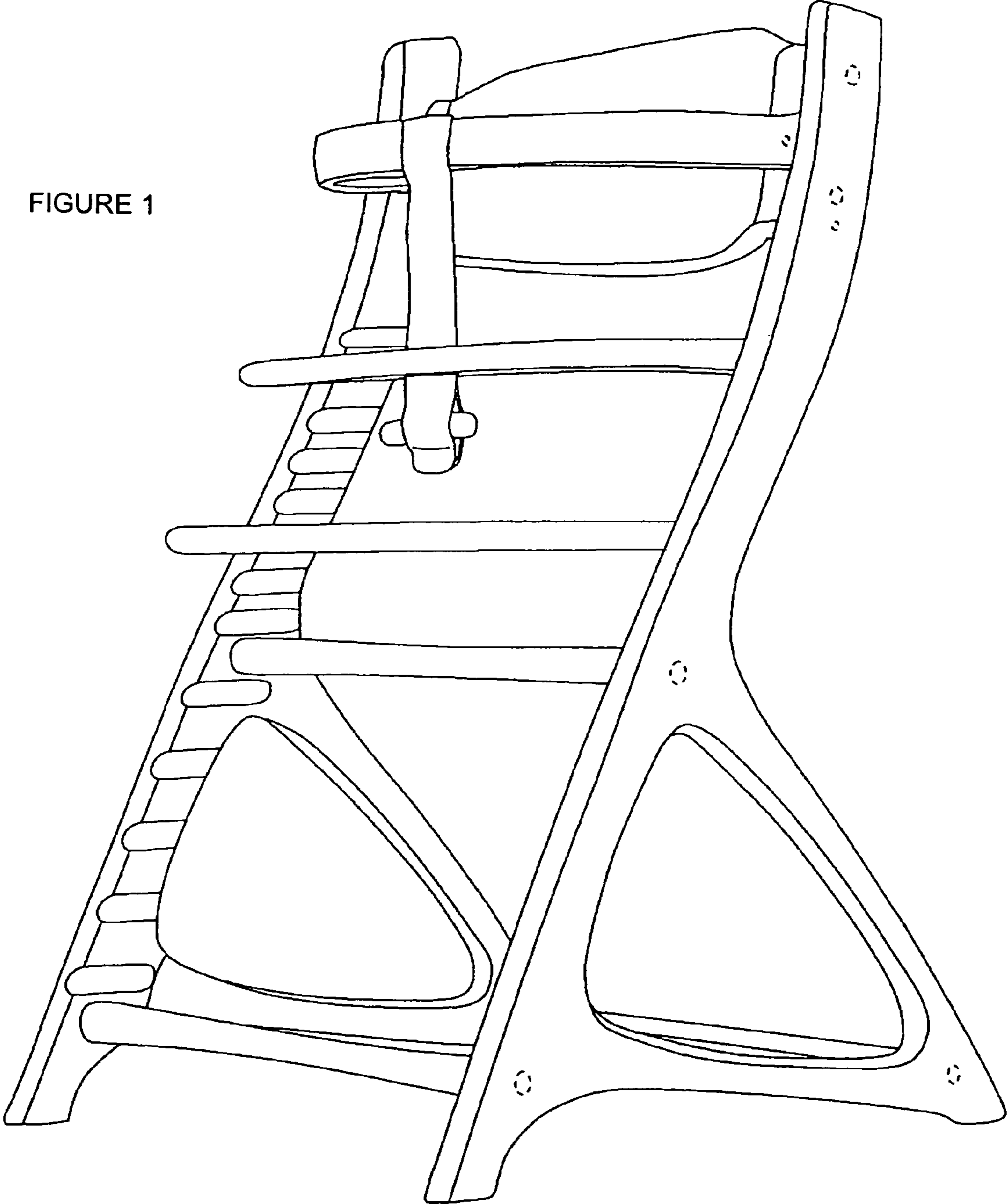


FIGURE 2

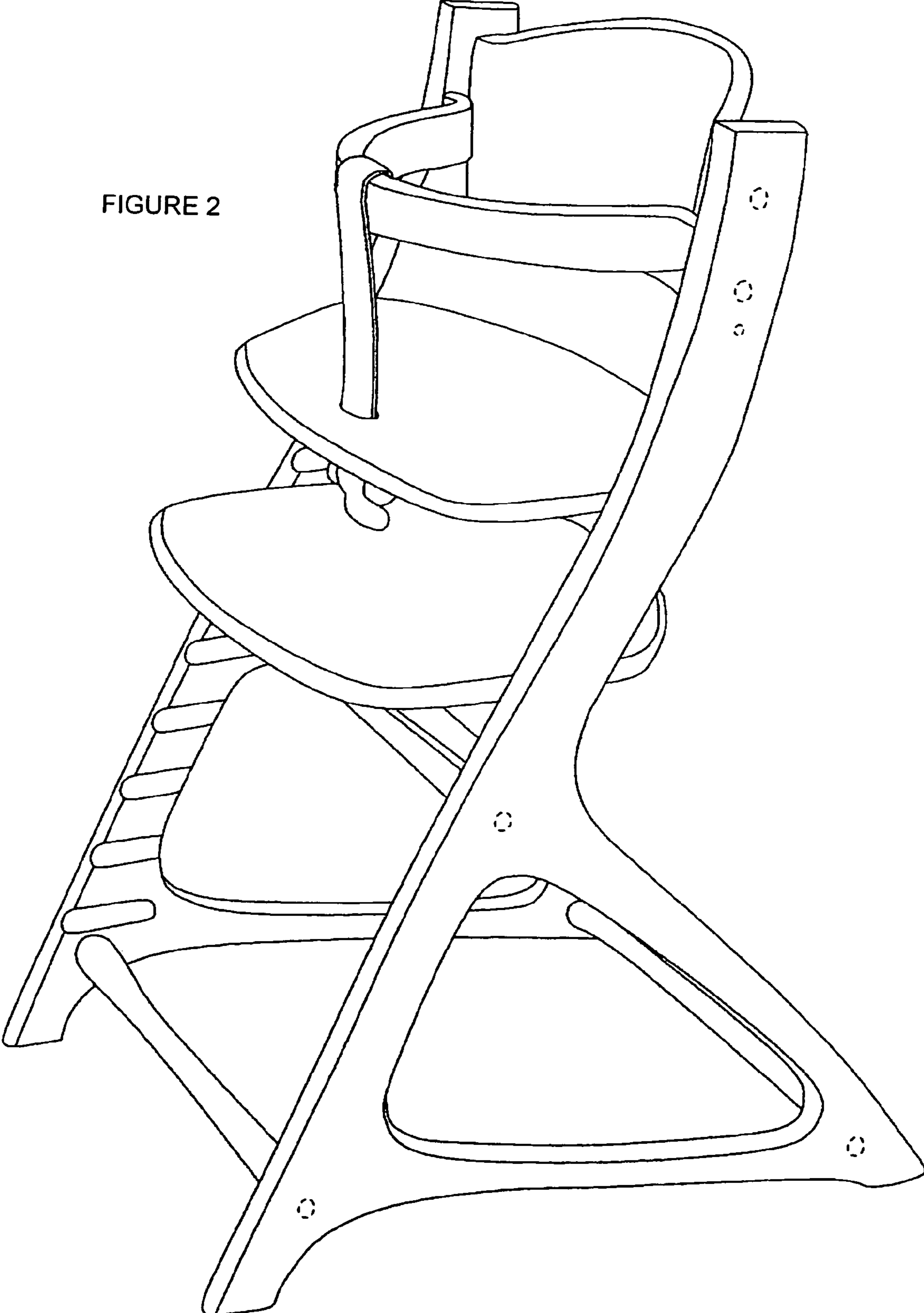


FIGURE 3

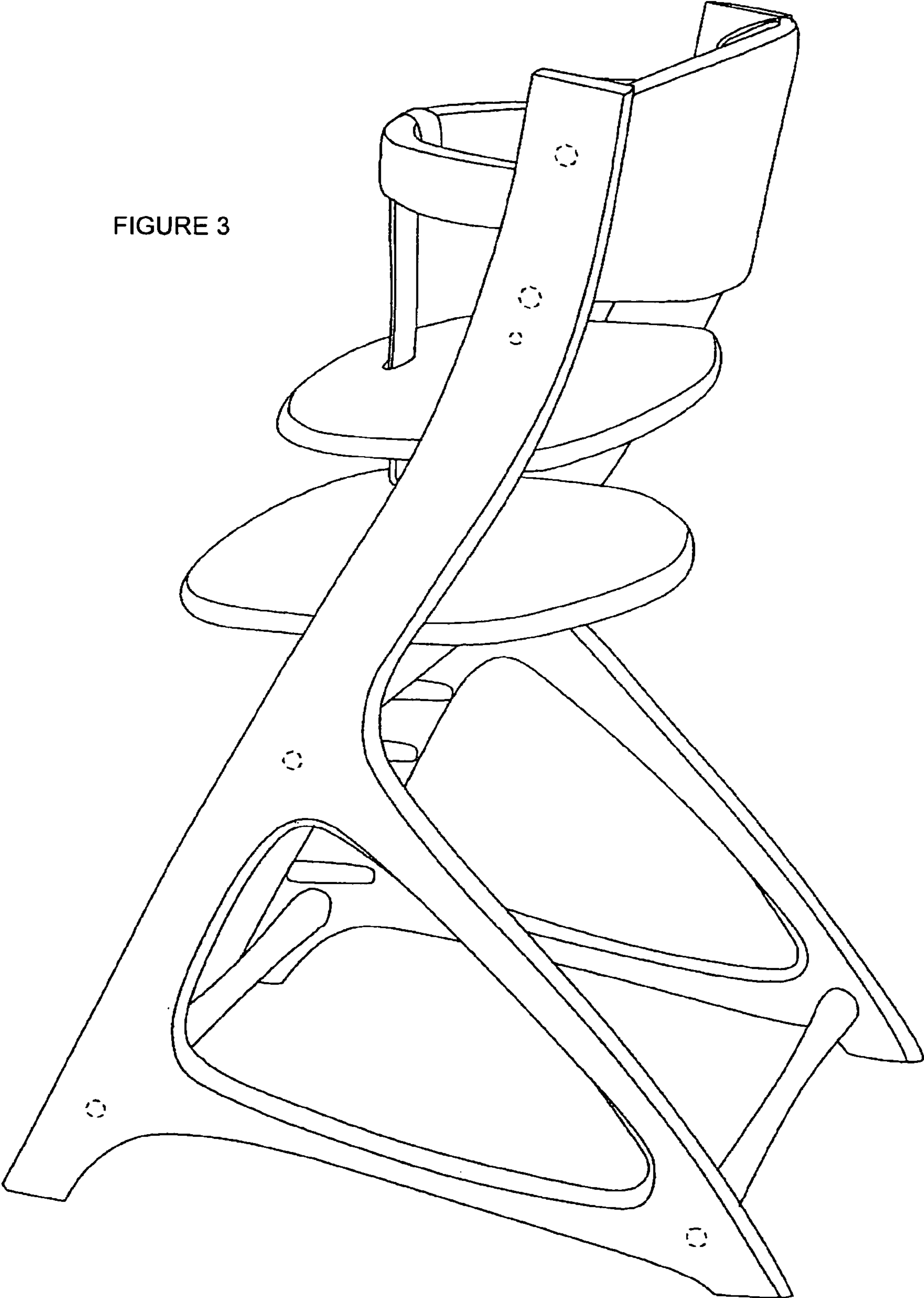
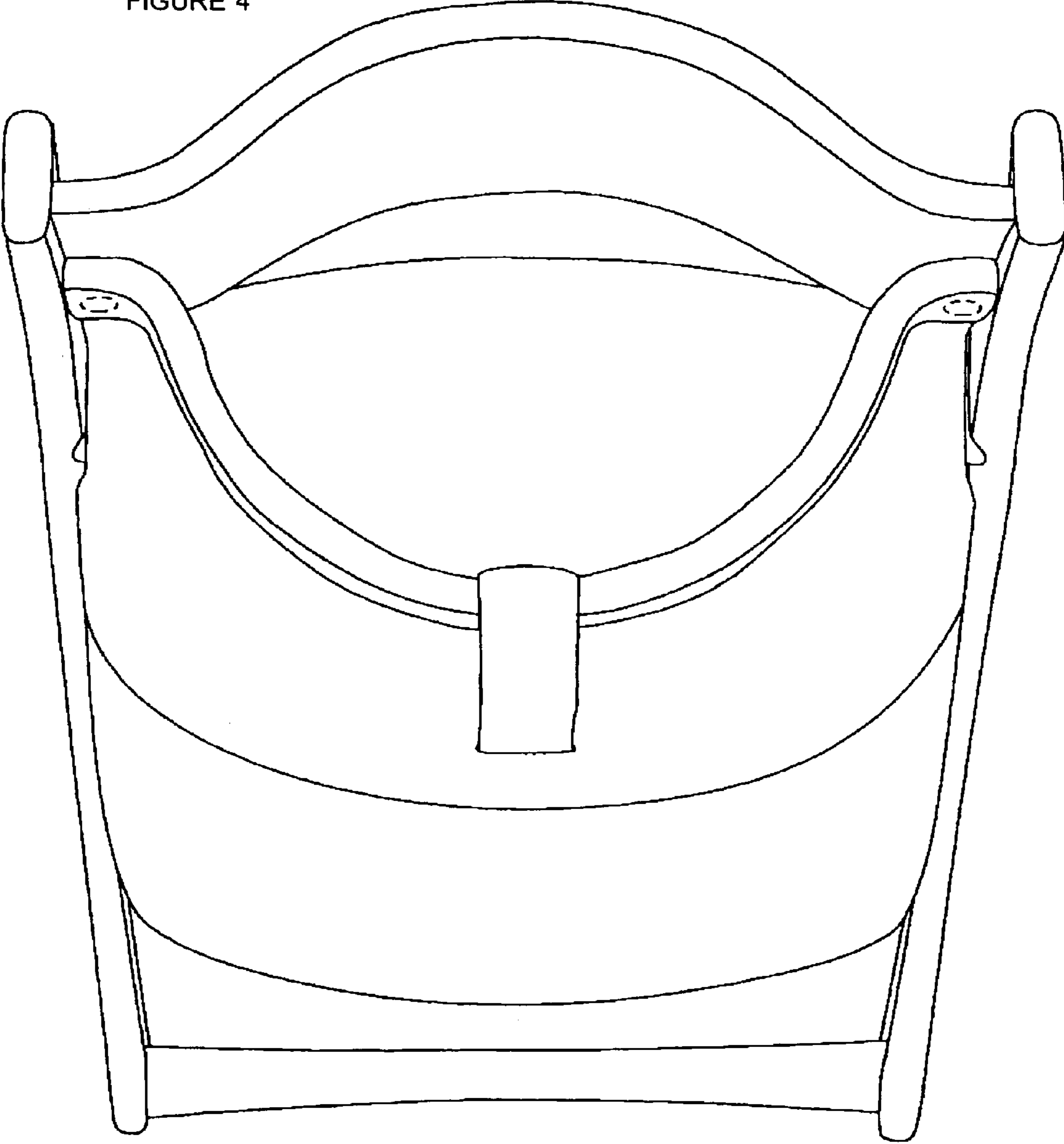


FIGURE 4



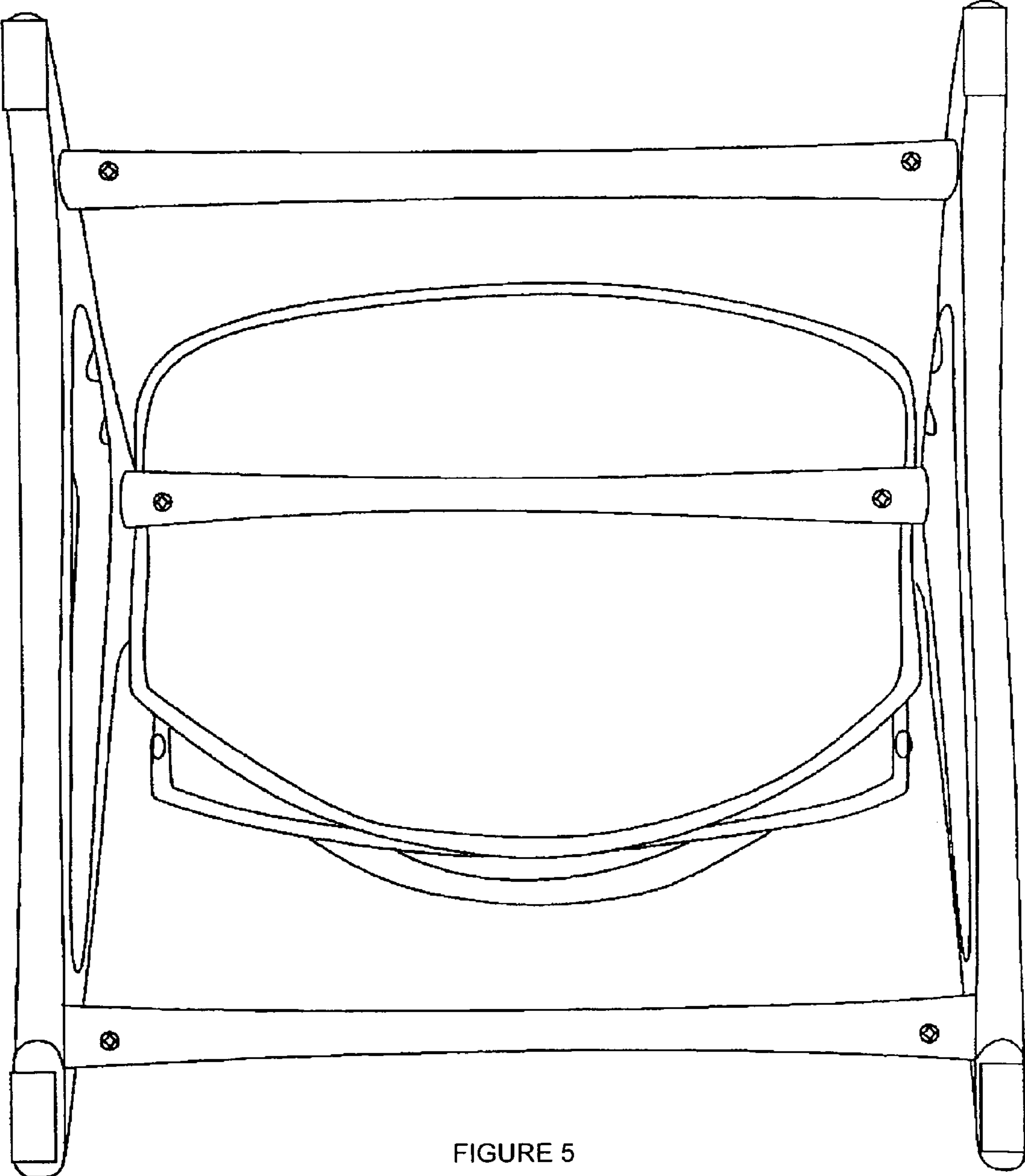


FIGURE 5

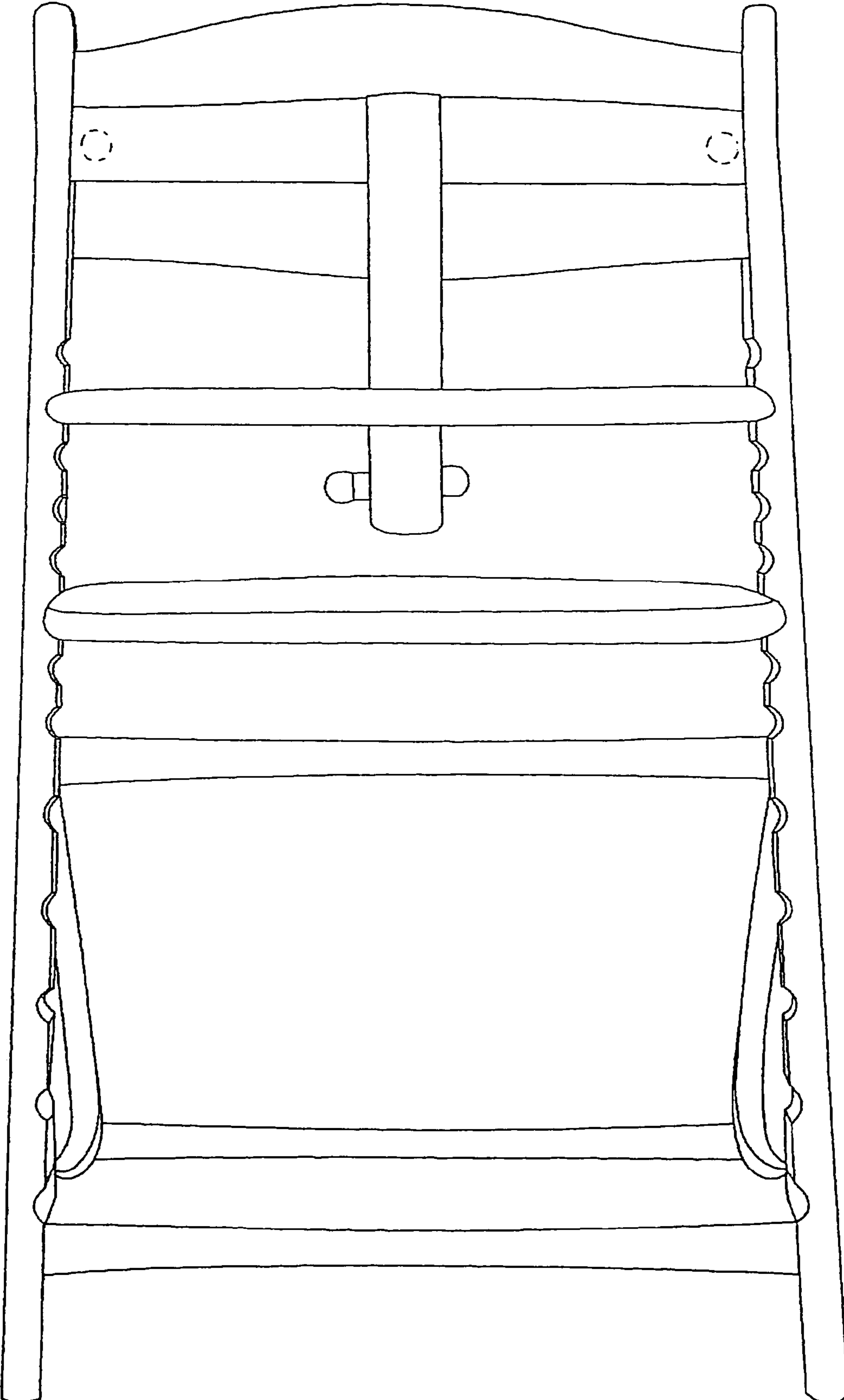


FIGURE 6

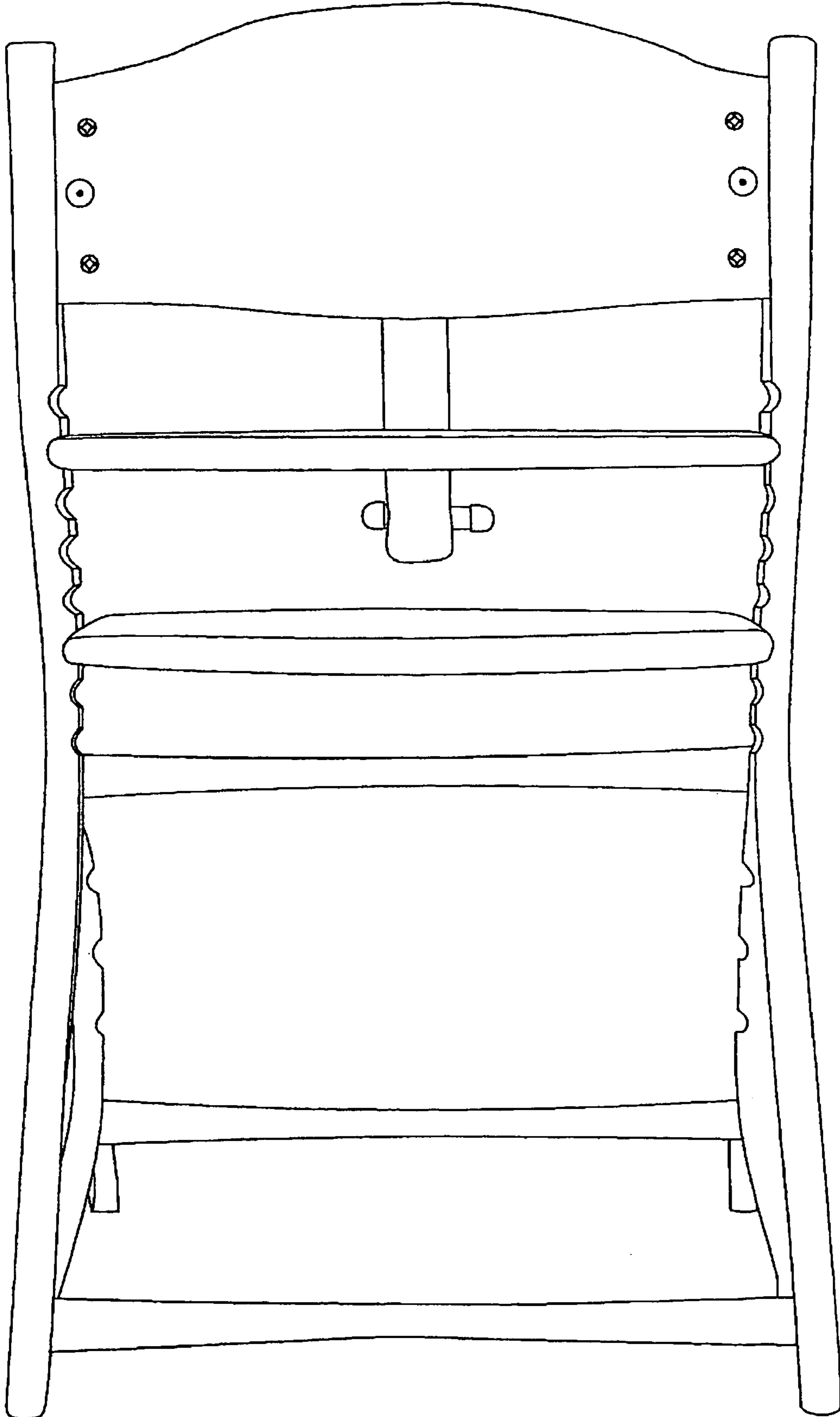
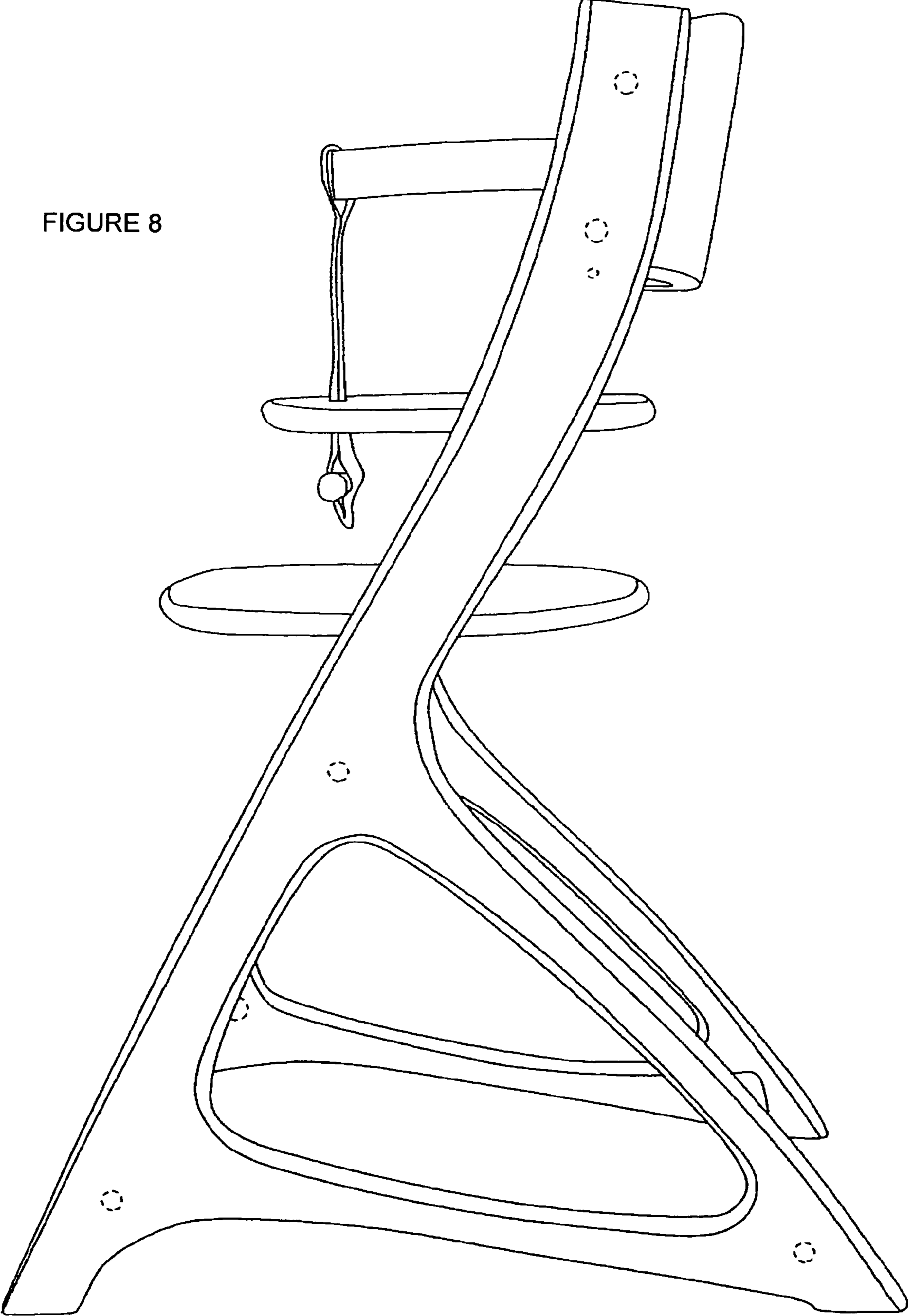


FIGURE 7

FIGURE 8



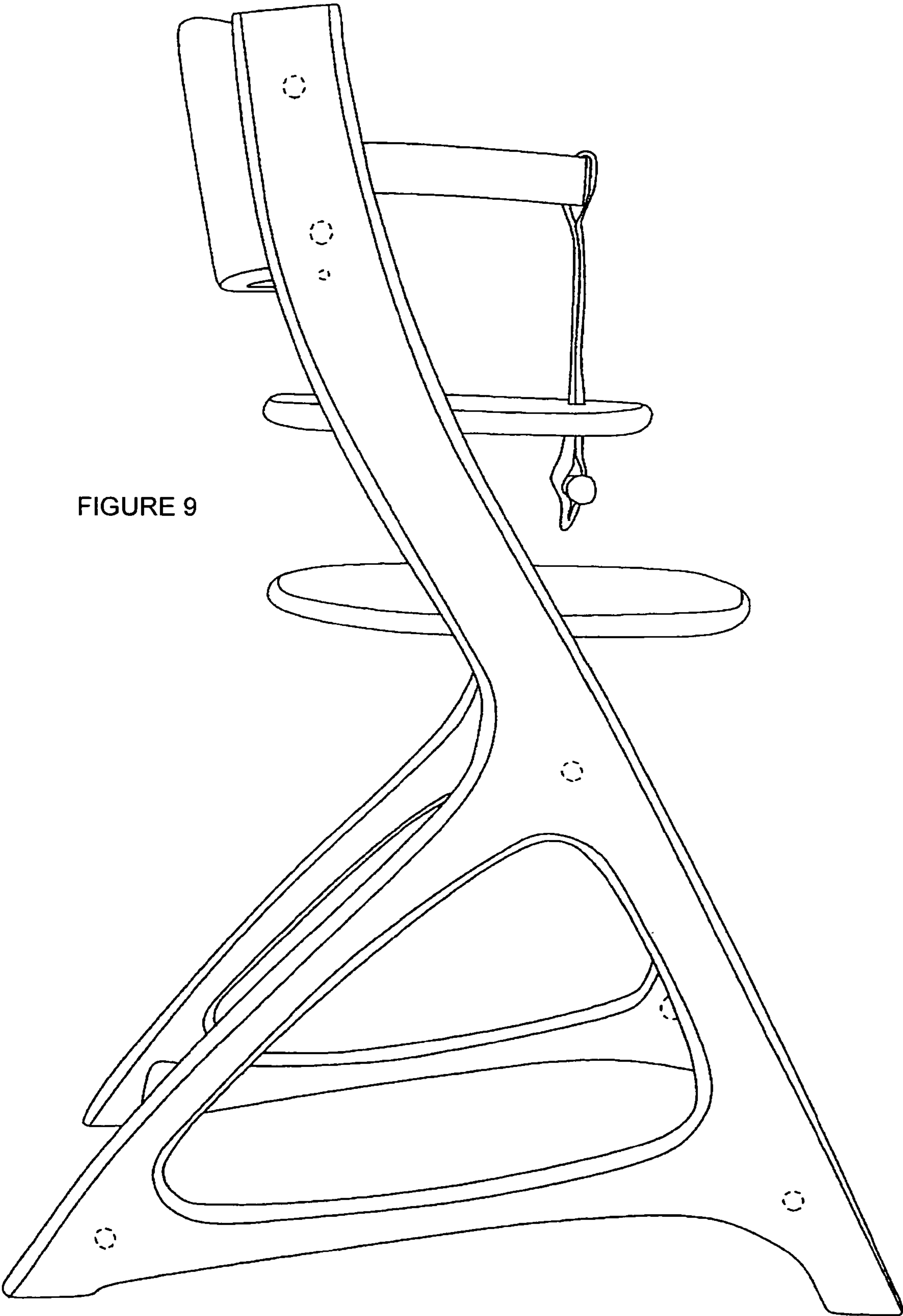


FIGURE 9