



US00D590606S

(12) **United States Design Patent**  
**Shallcross**

(10) **Patent No.:** **US D590,606 S**

(45) **Date of Patent:** **\*\* Apr. 21, 2009**

(54) **GARMENT HANGER**

D518,839 S \* 4/2006 Singleton ..... D6/326

(75) Inventor: **Stephen Shallcross**, Warrington (GB)

\* cited by examiner

(73) Assignee: **Mainetti (UK) Limited** (GB)

*Primary Examiner*—Stella M Reid

*Assistant Examiner*—Shanda C Hill

(\*\*) Term: **14 Years**

(74) *Attorney, Agent, or Firm*—Jack Schwartz & Associates, PLLC

(21) Appl. No.: **29/323,076**

(22) Filed: **Aug. 18, 2008**

(57) **CLAIM**

The ornamental design for a garment hanger, as shown and described.

(30) **Foreign Application Priority Data**

Feb. 18, 2008 (GB) ..... 4006611

**DESCRIPTION**

(51) **LOC (9) Cl.** ..... **06-08**

FIG. 1 is a top view of the garment hanger of the present invention;

(52) **U.S. Cl.** ..... **D6/326**

FIG. 2 is a front view of the garment hanger of the present invention;

(58) **Field of Classification Search** ..... D6/315,

D6/318, 319, 326; 223/85–98; 211/1, 13.1,

211/85.3

FIG. 3 is a left side view of the garment hanger of the present invention;

See application file for complete search history.

FIG. 4 is a back view of the garment hanger of the present invention;

(56) **References Cited**

**U.S. PATENT DOCUMENTS**

D243,138 S \* 1/1977 Coon ..... D6/326

D429,898 S \* 8/2000 Morgan et al. .... D6/326

D454,257 S \* 3/2002 Hunt ..... D6/328

D466,705 S \* 12/2002 Hawkins ..... D6/328

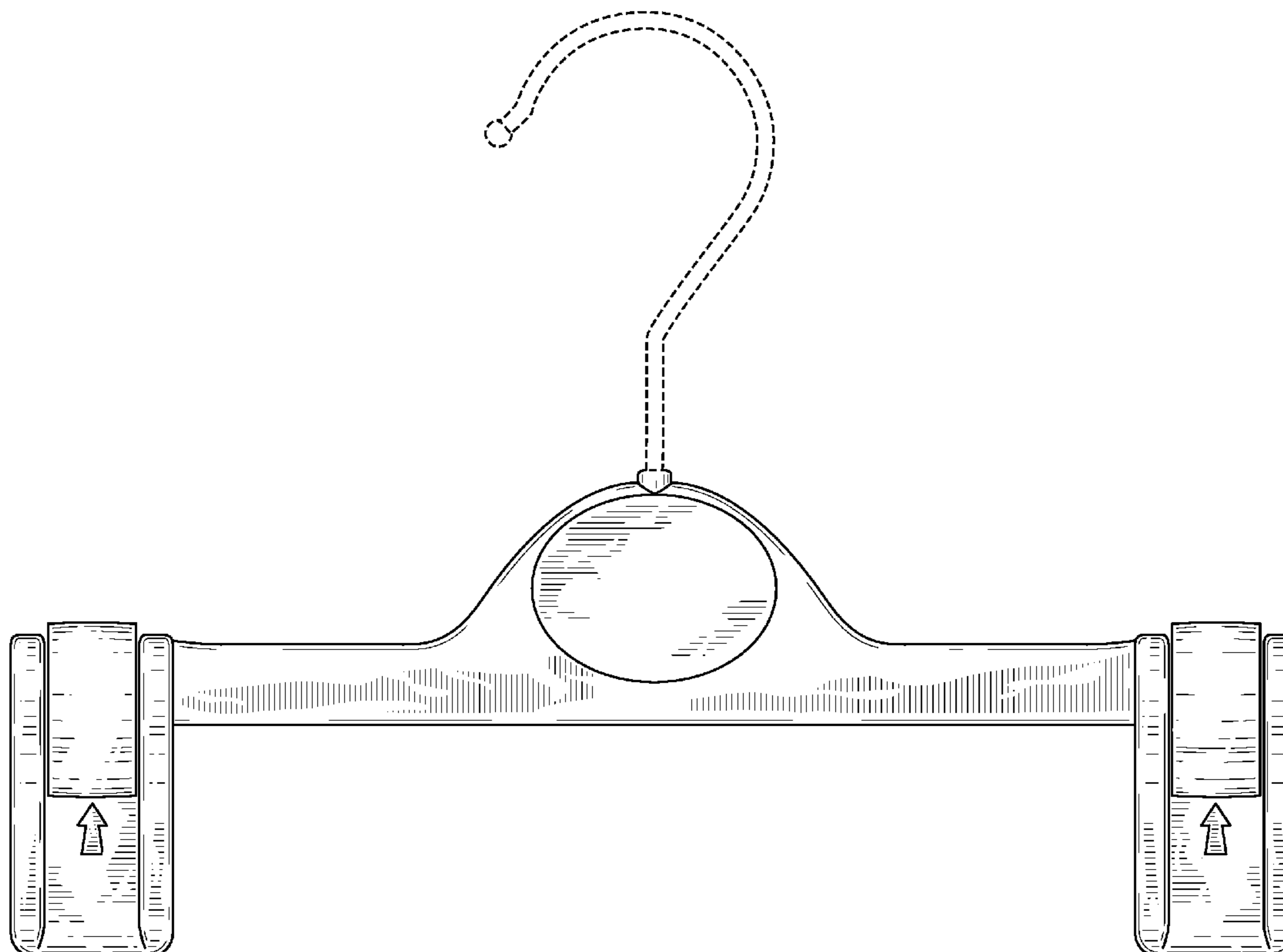
D502,328 S \* 3/2005 Gouldson ..... D6/326

D518,838 S \* 4/2006 Singleton ..... D6/326

FIG. 5 is a bottom view of the garment hanger of the present invention; and,

FIG. 6 is a right side view of the garment hanger of the present invention.

**1 Claim, 6 Drawing Sheets**



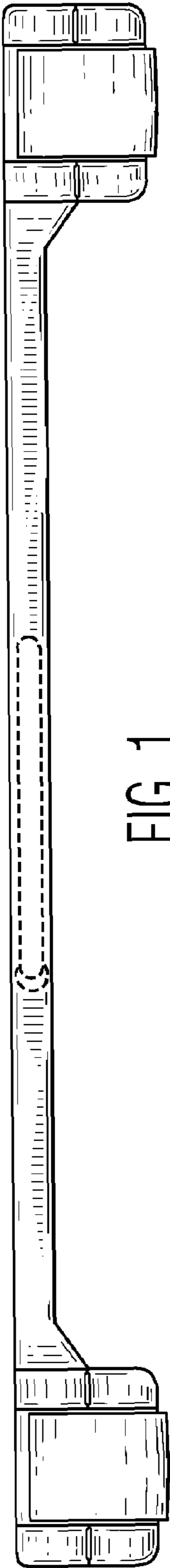


FIG. 1

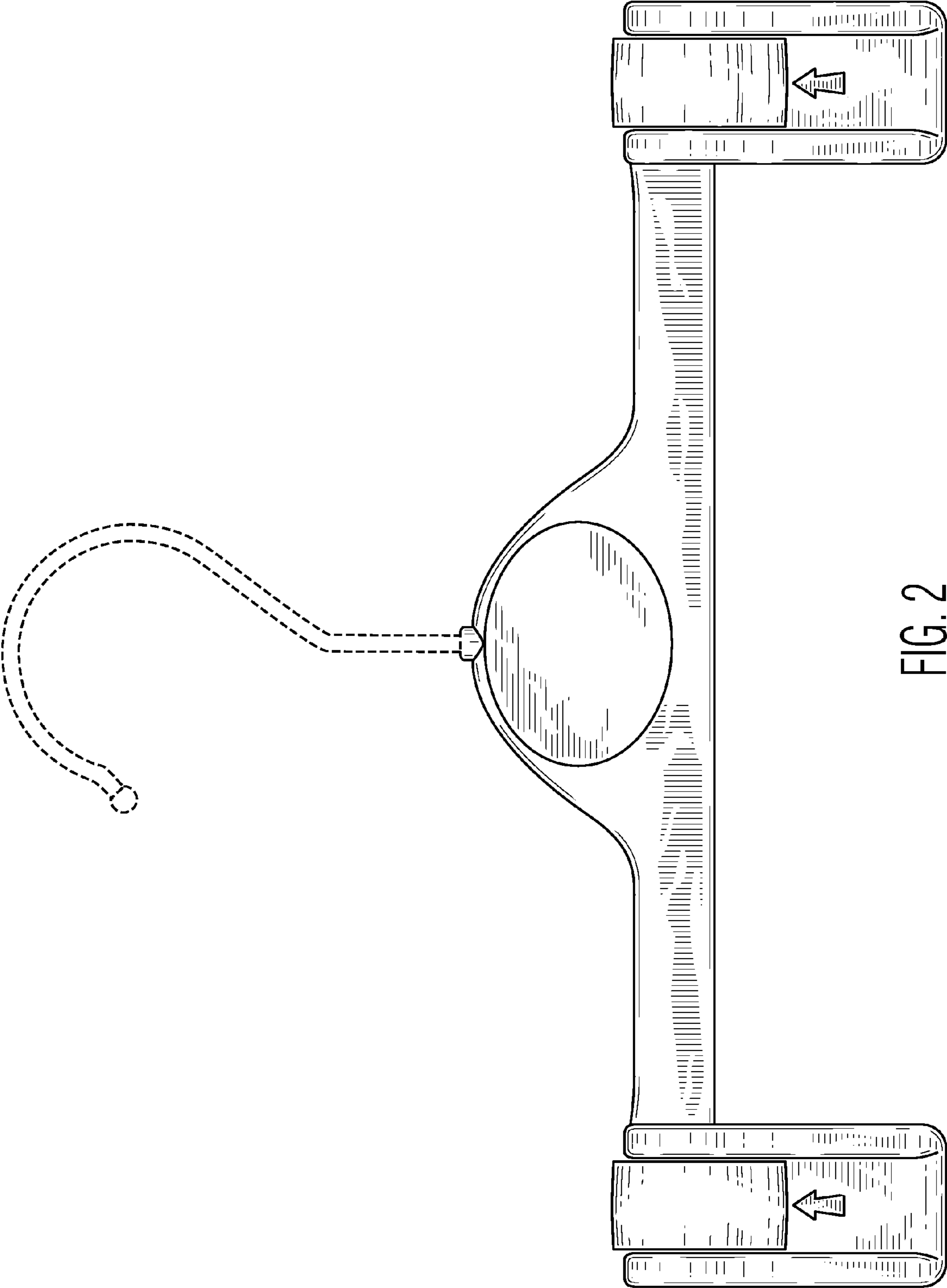


FIG. 2

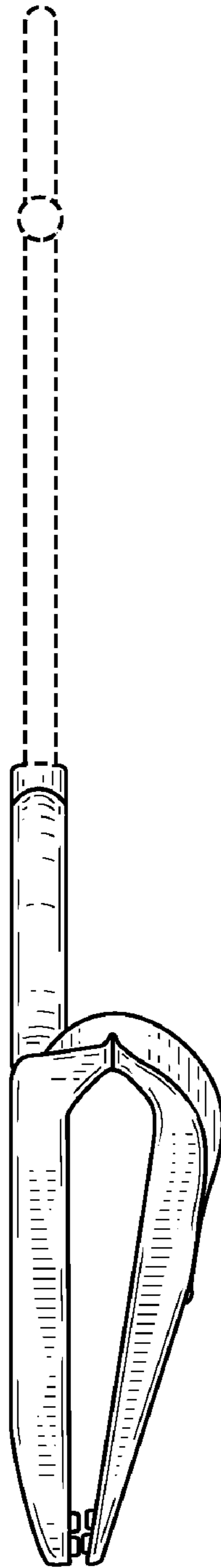


FIG. 3

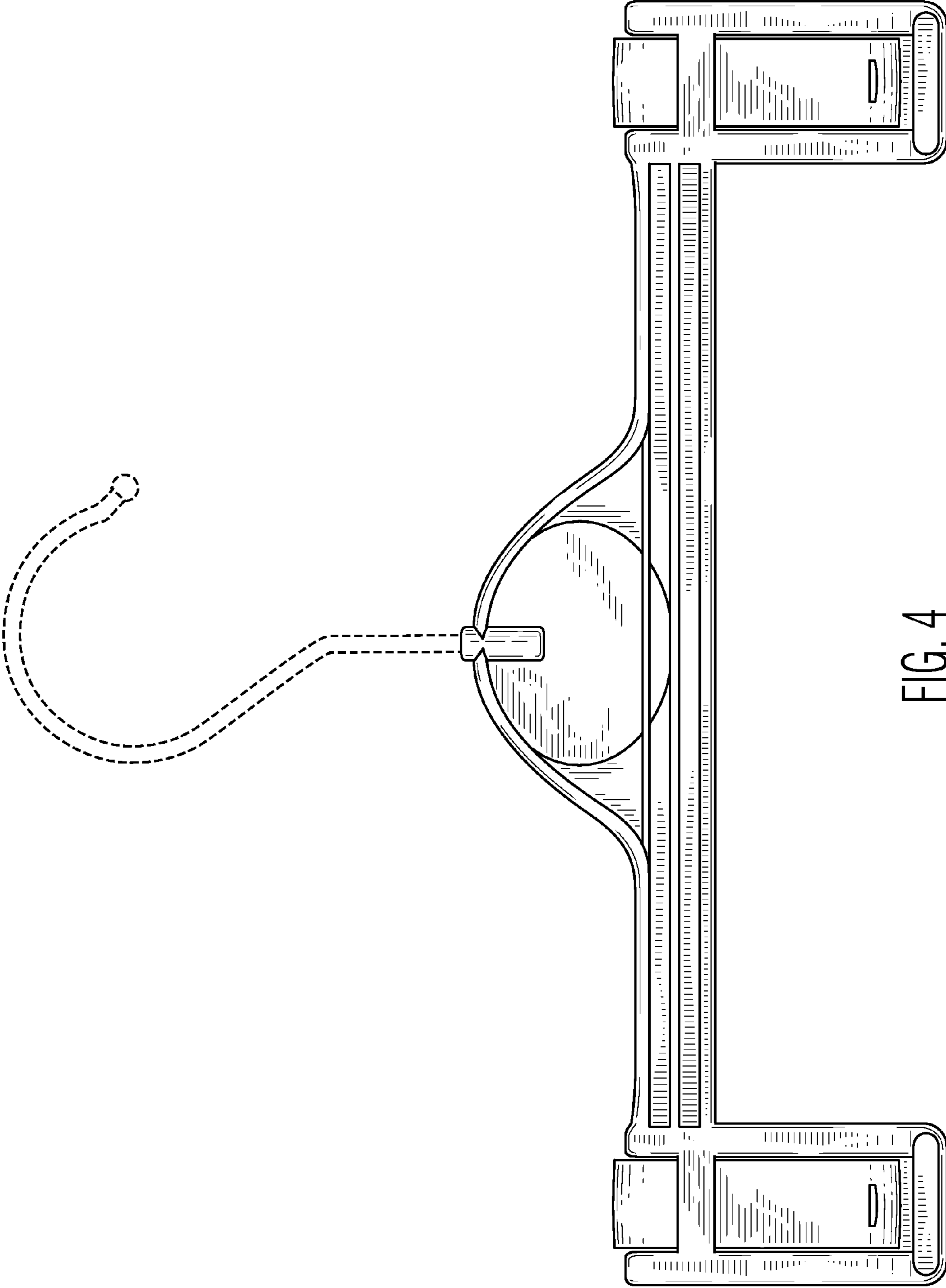


FIG. 4

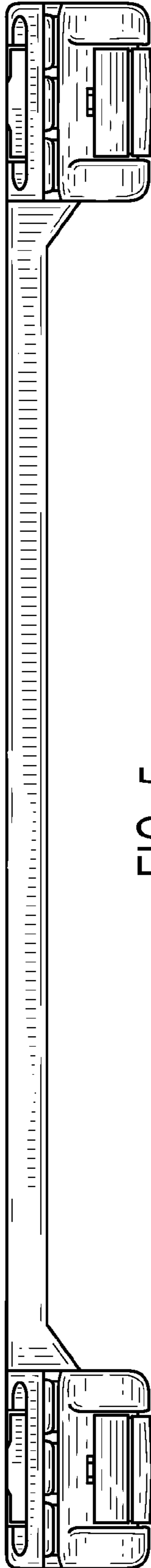


FIG. 5



FIG. 6