



US00D590600S

(12) **United States Design Patent**
Dow et al.

(10) **Patent No.:** **US D590,600 S**
(45) **Date of Patent:** **** Apr. 21, 2009**

(54) **BARBECUE GRILL BRUSH**

(75) Inventors: **Shannon Dow**, Berkeley, CA (US);
Sharon Ellen Kallenberger, Alameda,
CA (US)

(73) Assignee: **Charcoal Companion, Incorporated**,
Emeryville, CA (US)

(**) Term: **14 Years**

(21) Appl. No.: **29/241,627**

(22) Filed: **Oct. 27, 2005**

(51) **LOC (9) Cl.** **04-01**

(52) **U.S. Cl.** **D4/119; D4/132**

(58) **Field of Classification Search** D4/119,
D4/137, 199, 132; D32/40, 51, 52; 15/118,
15/146, 208, 229.11, 229.12, 229.13, 244.1,
15/244.2

See application file for complete search history.

(56) **References Cited**

U.S. PATENT DOCUMENTS

1,395,652	A	11/1921	Motter	
1,620,903	A	3/1927	Lance	
1,653,652	A	12/1927	Melniker	
D74,189	S *	1/1928	Robbins D32/52
1,820,183	A	8/1931	Darling	
1,887,294	A	11/1932	Field et al.	
1,899,552	A	2/1933	Bookman	
1,905,307	A	4/1933	Schulhoff	
2,124,429	A	7/1938	O'Brien	
2,496,371	A	2/1950	Baker	
2,514,481	A	7/1950	Ellinger	
2,620,501	A	12/1952	Bailey	
2,629,890	A	3/1953	Giovanna	
2,778,049	A	1/1957	Meyer	
2,799,038	A	7/1957	McCall	
2,888,699	A	6/1959	Bubar	
3,015,118	A	1/1962	Strader	
3,090,064	A	5/1963	Garrett	
3,113,335	A *	12/1963	Baicker 401/139

(Continued)

OTHER PUBLICATIONS

The Tool Wizard Grill Brush [online]. Barr Brothers Company, 2003 [retrieved on Mar. 17, 2008]. Retrieved from the Internet: <URL: <http://web.archive.org/web/20030802090124/bbq-tools.com/grillbrush.htm>>.*

Charcoal Companion, Product Catalog, 1992, selected pages.
Charcoal Companion, Product Catalog, 1993, selected pages.
Charcoal Companion, Product Catalog, 2002, selected pages.
Charcoal Companion, Product Catalog, 2003, selected pages.
Charcoal Companion, Product Catalog, 2004, selected pages.

Primary Examiner—Melanie H Tung

Assistant Examiner—Lavone D Tabor

(74) *Attorney, Agent, or Firm*—Donald R. Beeson; Beeson Skinner Beverly, LLP

(57) **CLAIM**

The ornamental design for a barbecue grill brush, as shown and described.

DESCRIPTION

FIG. 1 is a top perspective view of a barbecue grill brush showing our new design;

FIG. 2 is a bottom perspective view thereof;

FIG. 3 is a front elevational view thereof;

FIG. 4 is a right side elevational view thereof, the left side being a mirror image;

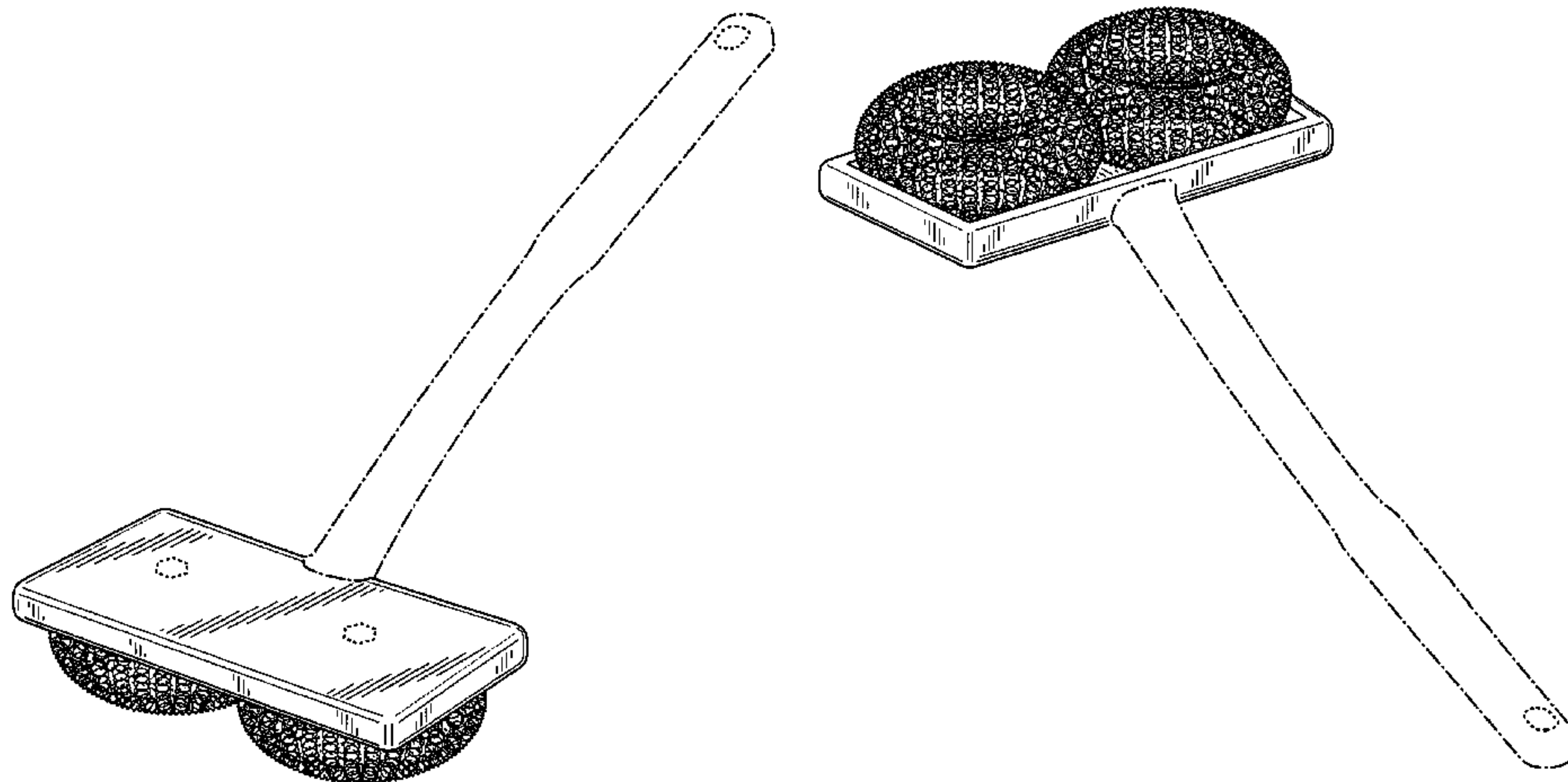
FIG. 5 is a rear elevational view thereof;

FIG. 6 is a top plan view thereof; and,

FIG. 7 is a bottom plan view thereof.

The broken lines adjacent the shaded areas and the continuous broken line immediately adjacent the inside of each brush pad in FIG. 7 represent the bounds of the claim while all of the other broken lines illustrate portions of the grill brush which along with the aforementioned boundaries, form no part of the claimed design.

1 Claim, 6 Drawing Sheets



US D590,600 S

Page 2

U.S. PATENT DOCUMENTS

3,473,184 A 10/1969 Buck, Jr.
3,947,915 A * 4/1976 Kroll 15/229.13
4,071,983 A 2/1978 Thielen
4,232,420 A 11/1980 Schuster et al.
4,244,075 A 1/1981 Silver
D358,491 S 5/1995 Hoagland
D378,959 S 4/1997 Gringer

D411,368 S 6/1999 Liu
D417,324 S 11/1999 Farls
6,023,810 A 2/2000 Gessert
D422,792 S 4/2000 Liu
D429,889 S 8/2000 Fielding
D456,614 S 5/2002 Zemel

* cited by examiner

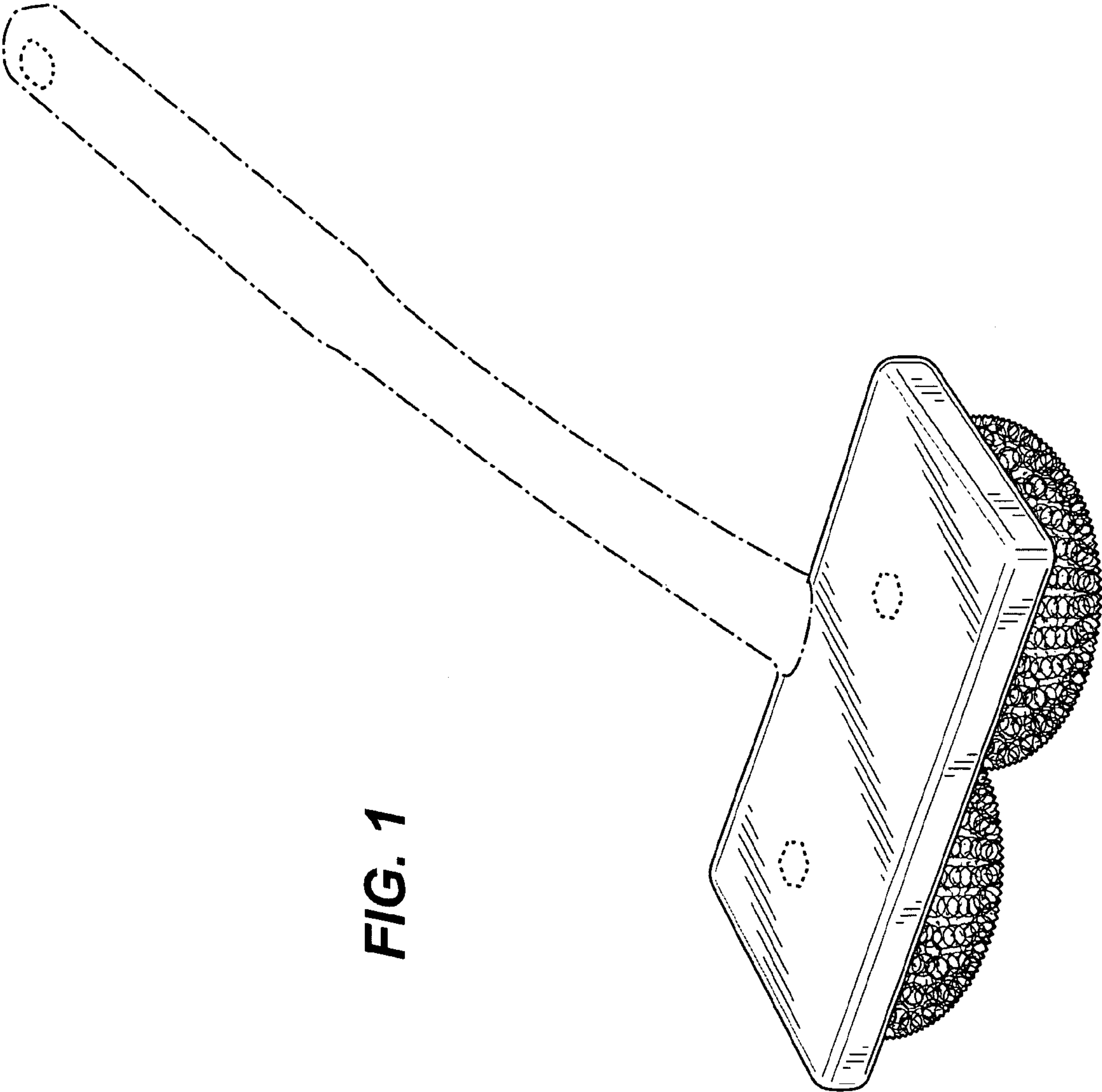


FIG. 1

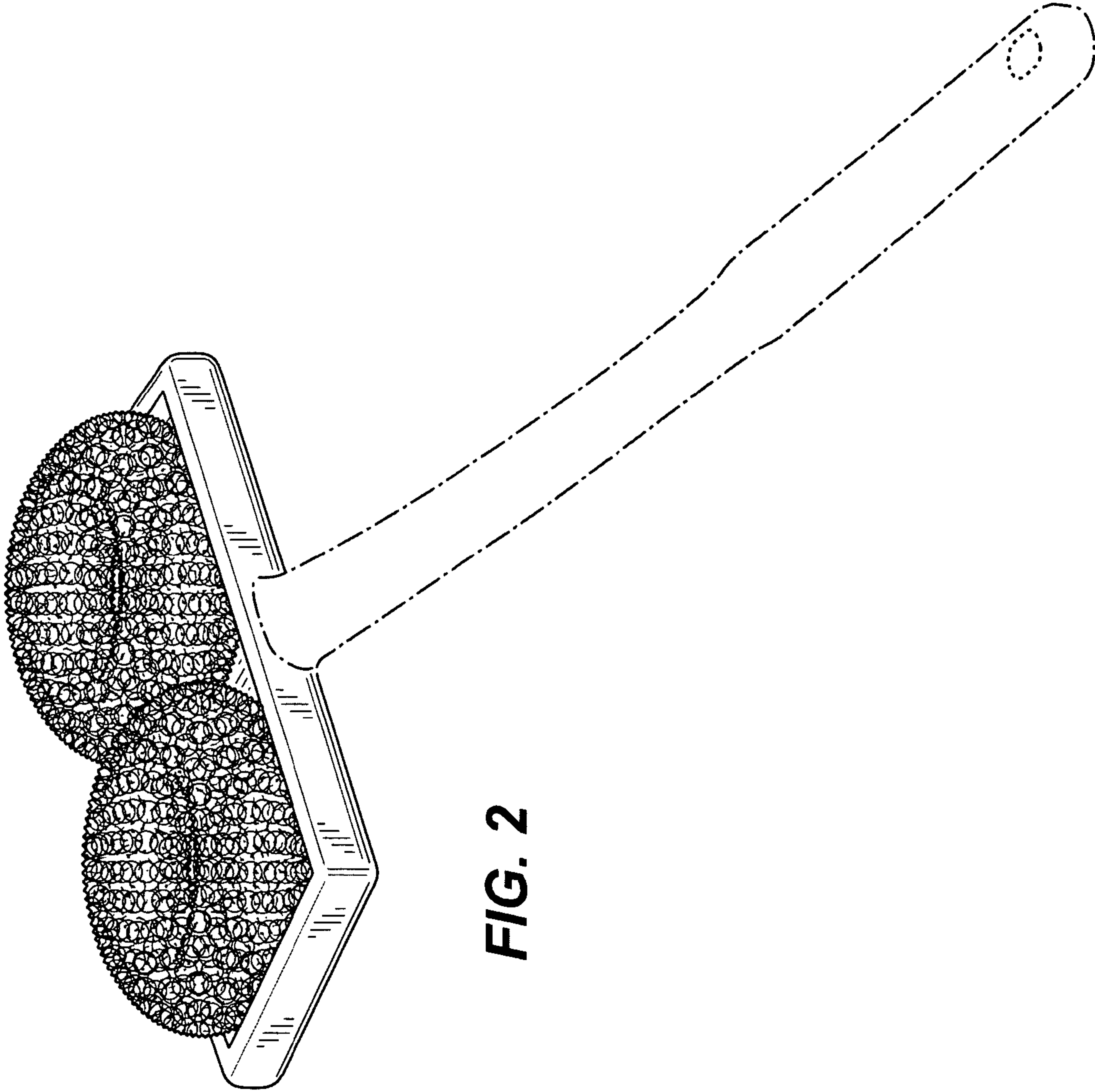
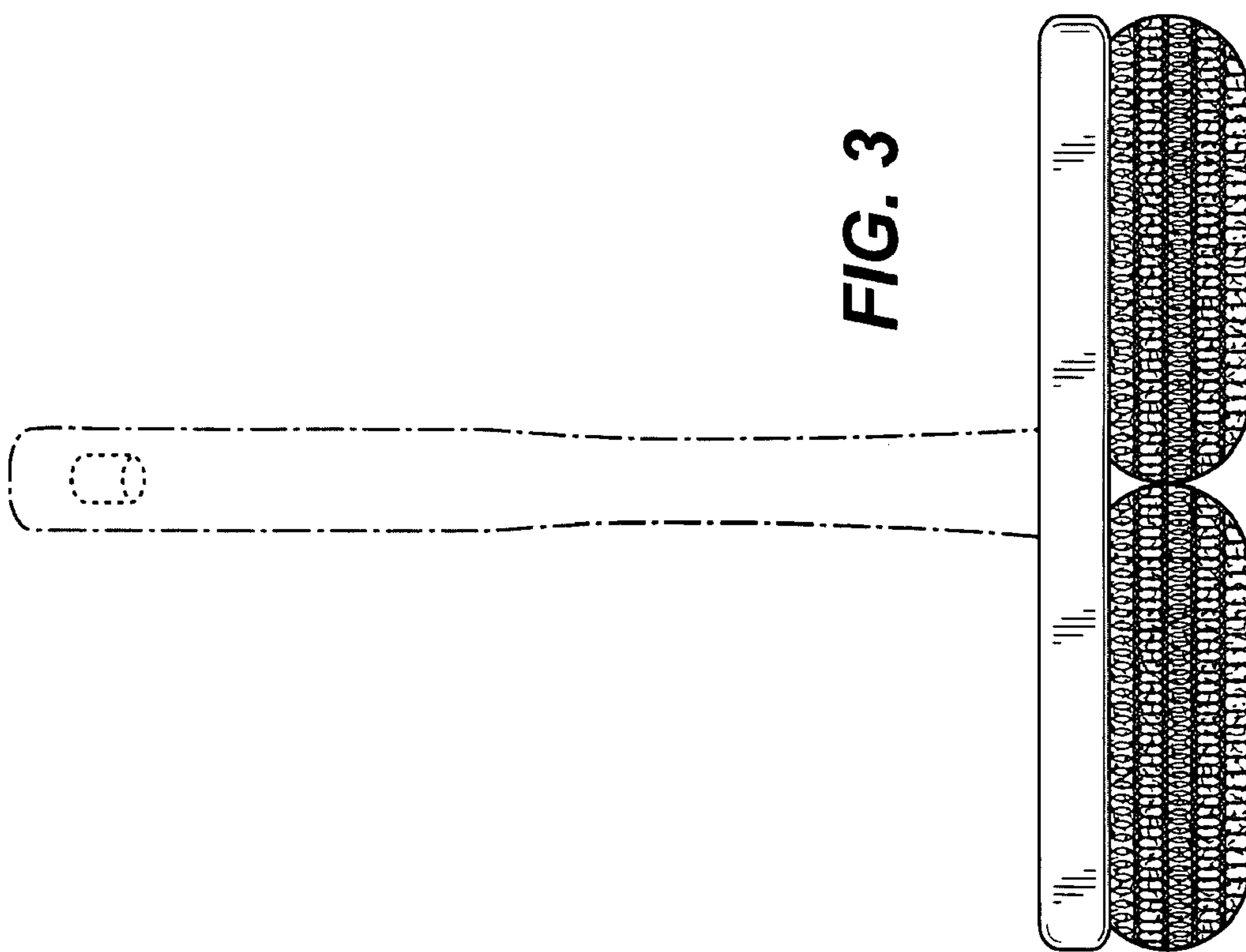
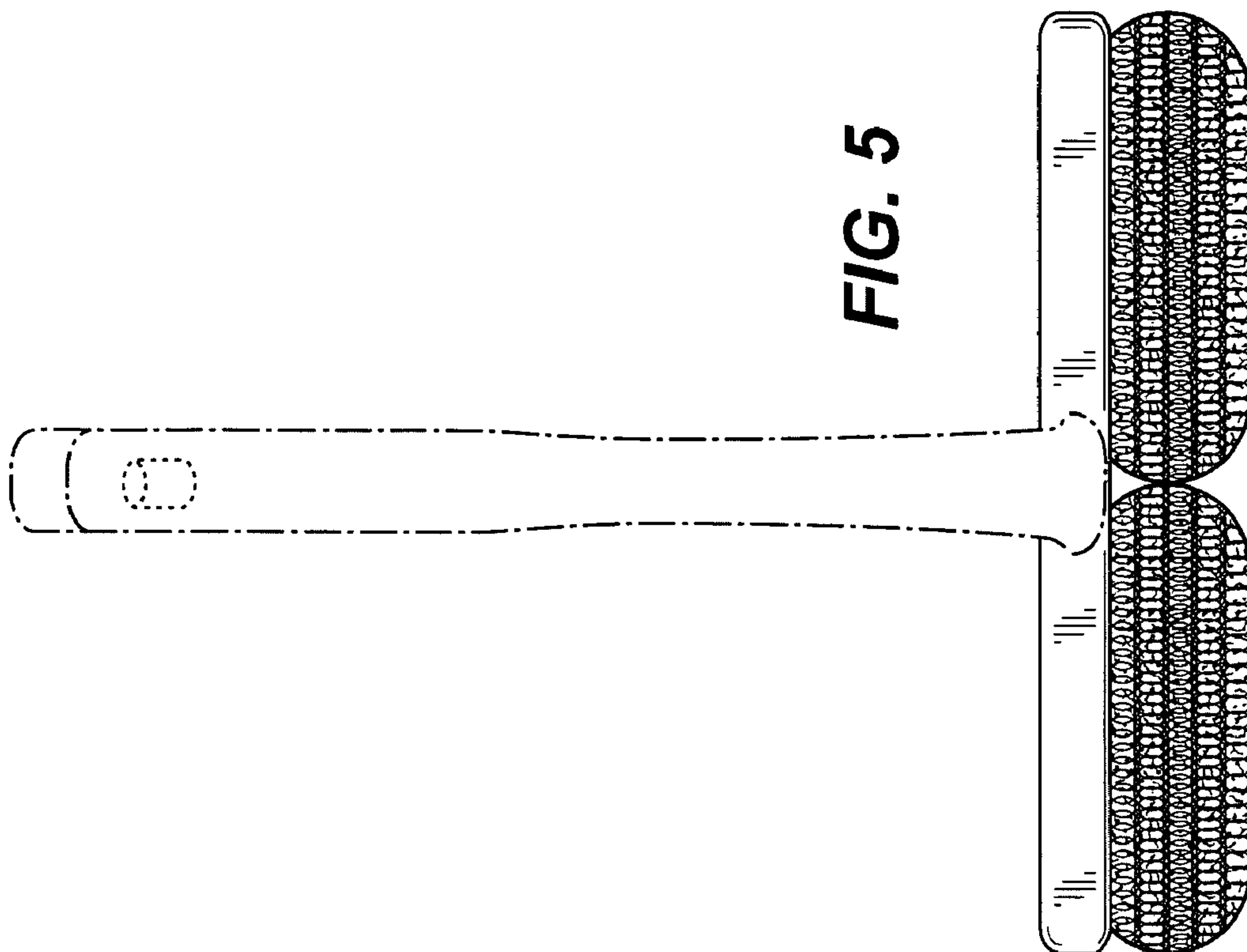


FIG. 2



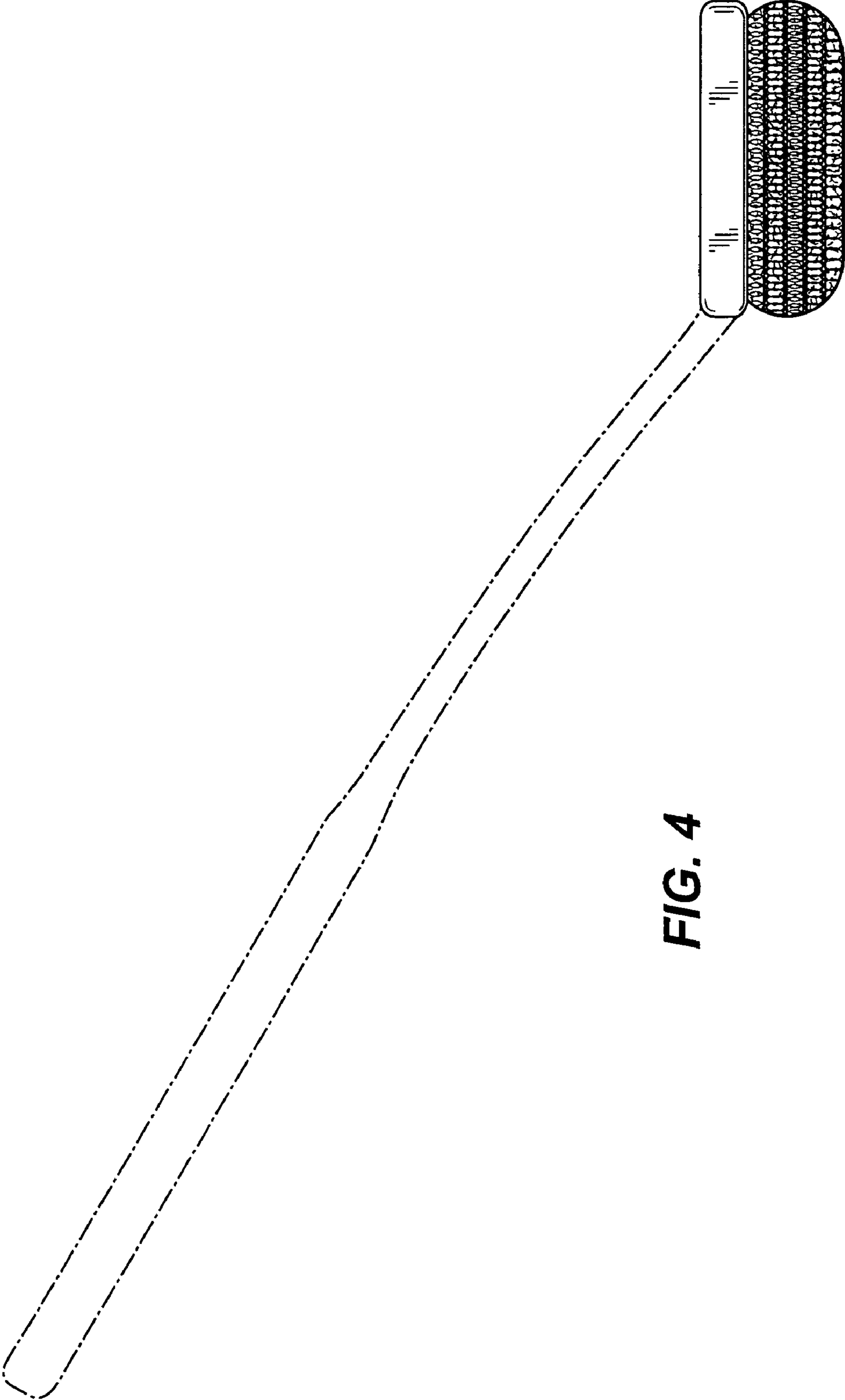


FIG. 4

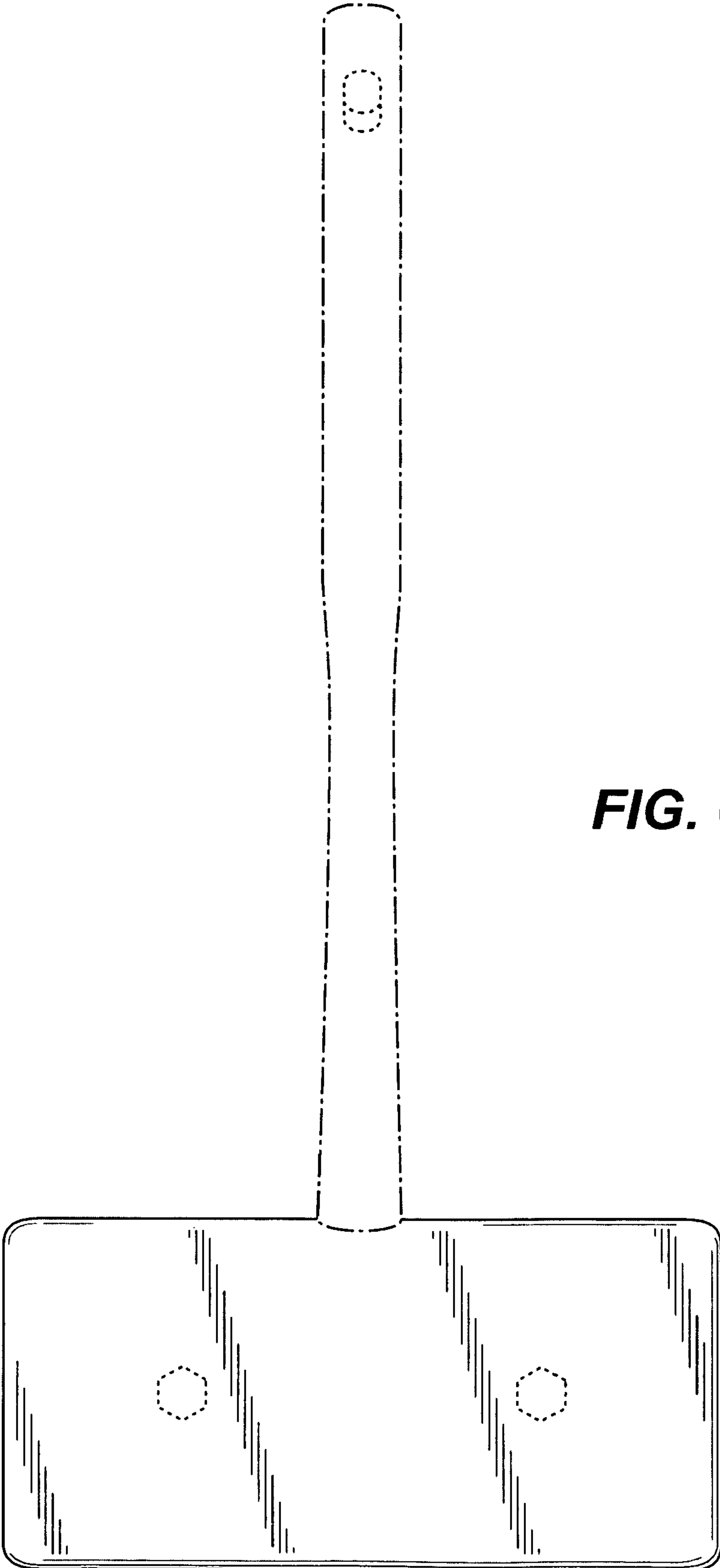


FIG. 6

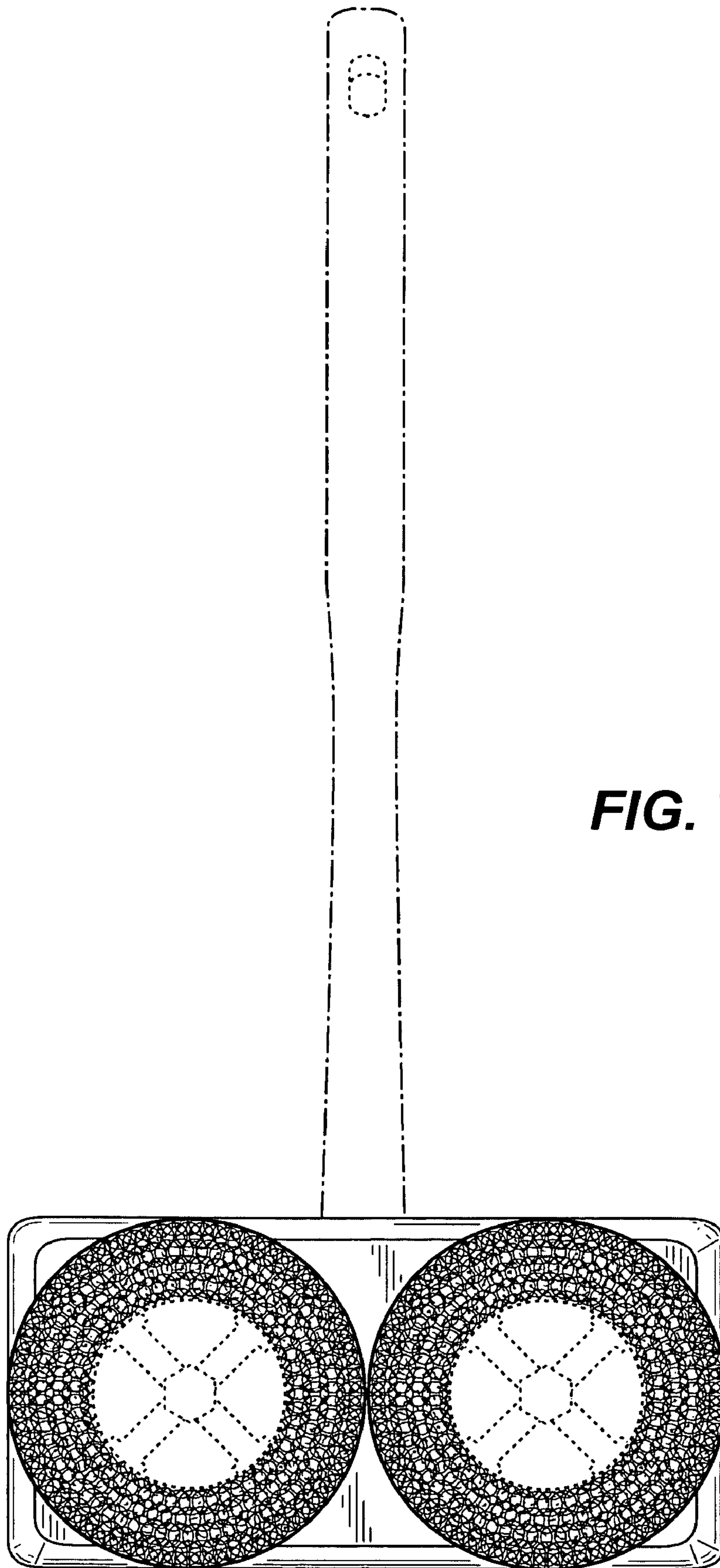


FIG. 7