



US00D590596S

(12) **United States Design Patent**
Dretzka

(10) **Patent No.:** **US D590,596 S**

(45) **Date of Patent:** **** *Apr. 21, 2009**

(54) **DRAWER ORGANIZER**

(75) Inventor: **Philip C. Dretzka**, Mariemont, OH (US)

(73) Assignee: **InterDesign, Inc.**, Solon, OH (US)

(*) Notice: This patent is subject to a terminal disclaimer.

(**) Term: **14 Years**

(21) Appl. No.: **29/272,436**

(22) Filed: **Feb. 8, 2007**

(51) **LOC (9) Cl.** **03-01**

(52) **U.S. Cl.** **D3/304**

(58) **Field of Classification Search** D3/200–201,
D3/203.1, 203.3, 205–206, 304–315; D6/475–476,
D6/525; D19/75, 77, 86, 90, 92, 100; 206/203,
206/214–215, 307.1, 501, 503–504, 512,
206/564, 822; 229/100, 406, 913–914
See application file for complete search history.

(56) **References Cited**

U.S. PATENT DOCUMENTS

D93,084 S *	8/1934	Baum	D3/203.1
D120,991 S *	6/1940	Koch	D11/155
D194,429 S *	1/1963	Kuhn	D11/156
D274,967 S *	8/1984	Taylor	D6/510
D318,420 S *	7/1991	Amelse	D9/760
D368,584 S *	4/1996	Stommel, Jr.	D3/313
D439,085 S *	3/2001	Quinn	D6/510
D468,663 S *	1/2003	Fan	D11/156
D510,804 S *	10/2005	Horman	D3/304
D530,516 S	10/2006	Snell		
D530,918 S	10/2006	Snell		
D530,919 S	10/2006	Snell		

D530,920 S	10/2006	Snell		
D530,921 S	10/2006	Snell		
D549,456 S *	8/2007	Dretzka	D3/304
D549,457 S *	8/2007	Dretzka	D3/304
D557,047 S *	12/2007	Dretzka	D6/510
D563,673 S *	3/2008	Dretzka	D3/304
D579,662 S *	11/2008	Dretzka	D3/313
D579,698 S *	11/2008	Nielsen	D6/510

OTHER PUBLICATIONS

2005 *bath housewares storage*, p. 42, 43 & 51, InterDesign, Inc. product brochure w/front & back cover.

* cited by examiner

Primary Examiner—T. Chase Nelson

Assistant Examiner—Eric L Goodman

(74) *Attorney, Agent, or Firm*—D. Peter Hochberg; Sean F. Mellino; Daniel J. Smola

(57) **CLAIM**

The ornamental design for a drawer organizer, as shown and described.

DESCRIPTION

FIG. 1 is a perspective view of the drawer organizer according to the invention;

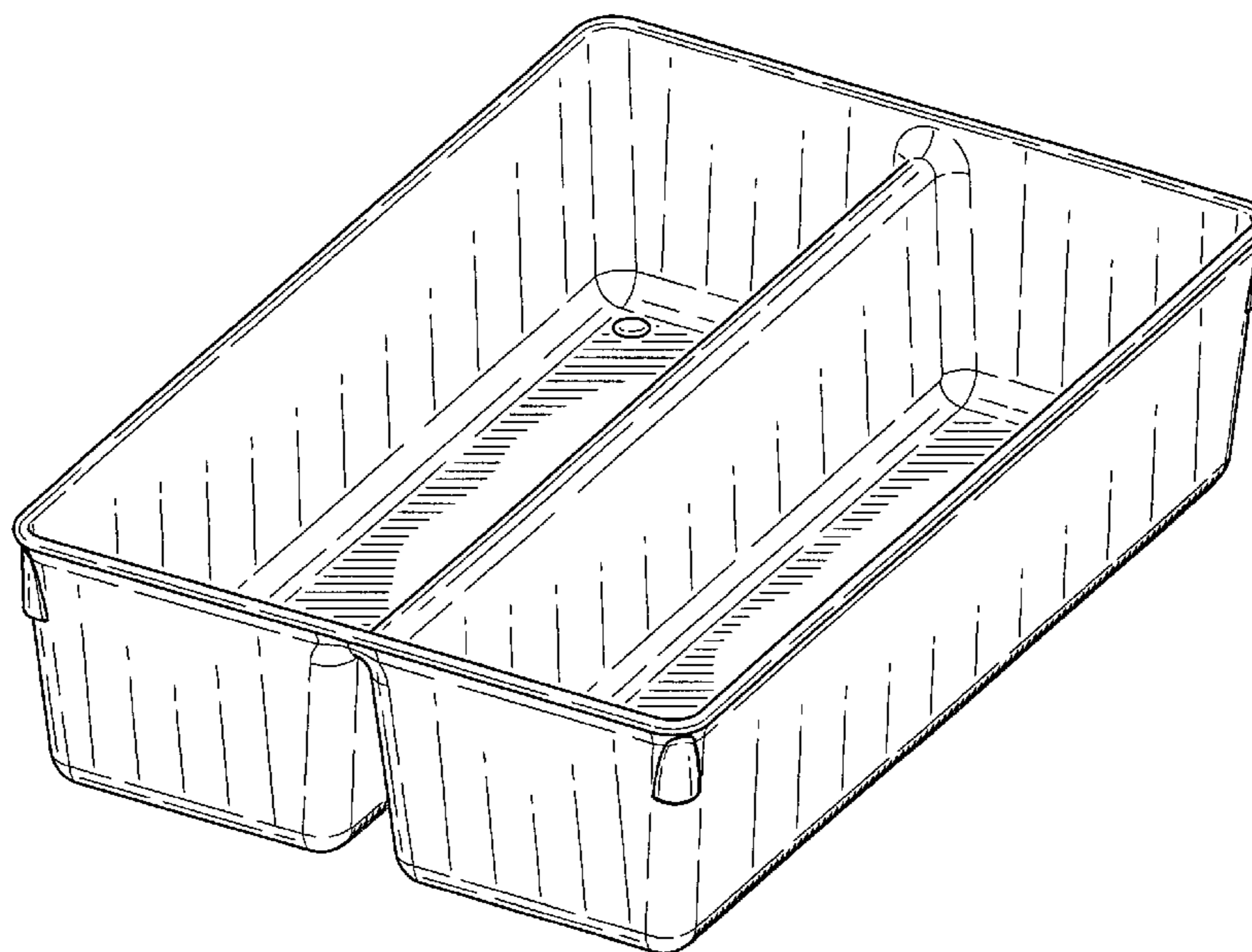
FIG. 2 is a top view of the drawer organizer as shown in FIG. 1;

FIG. 3 is a bottom view of the drawer organizer as shown in FIG. 1;

FIG. 4 is a front view of the drawer organizer as shown in FIG. 1; and,

FIG. 5 is a side view of the drawer organizer as shown in FIG. 1.

1 Claim, 3 Drawing Sheets



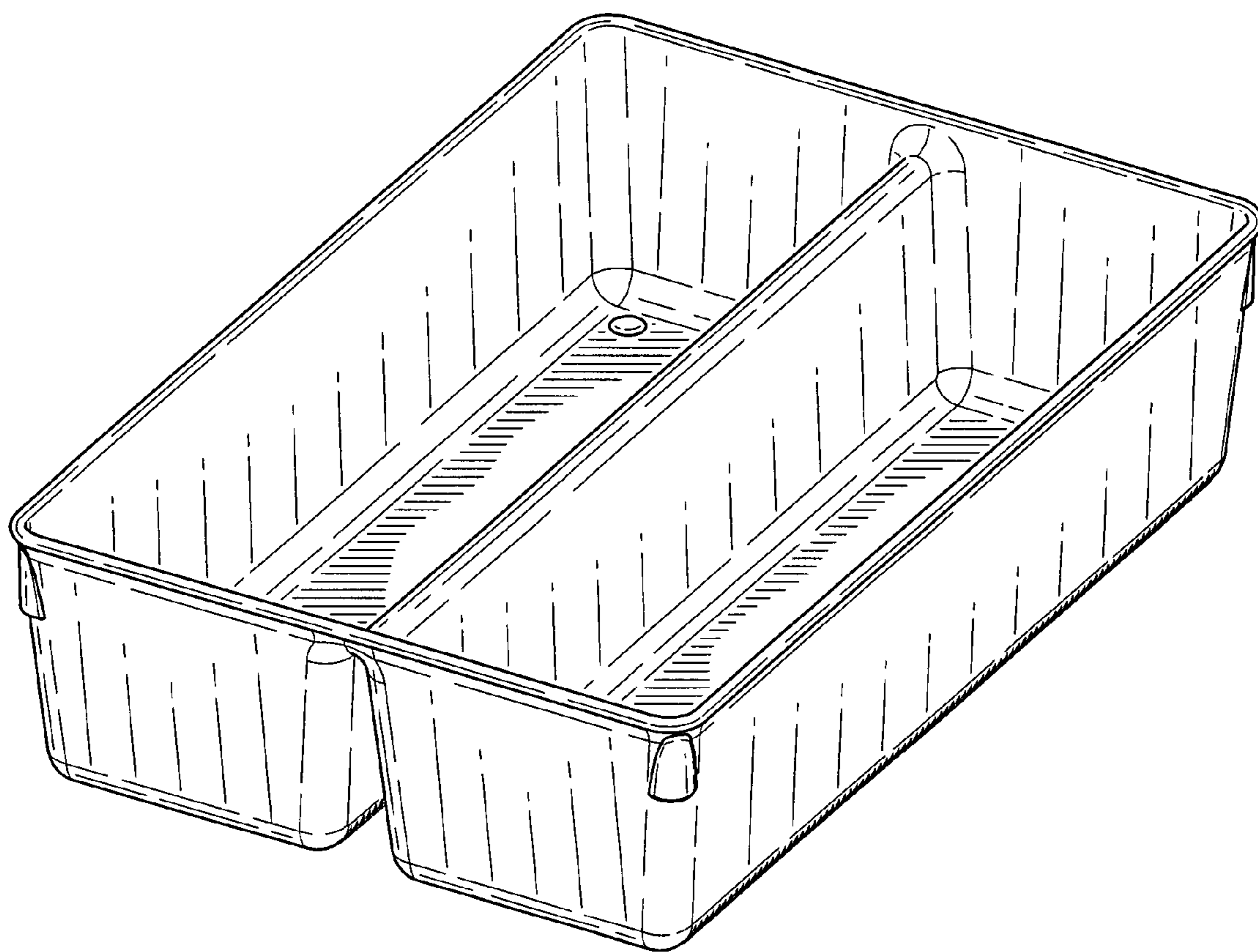


FIG-1

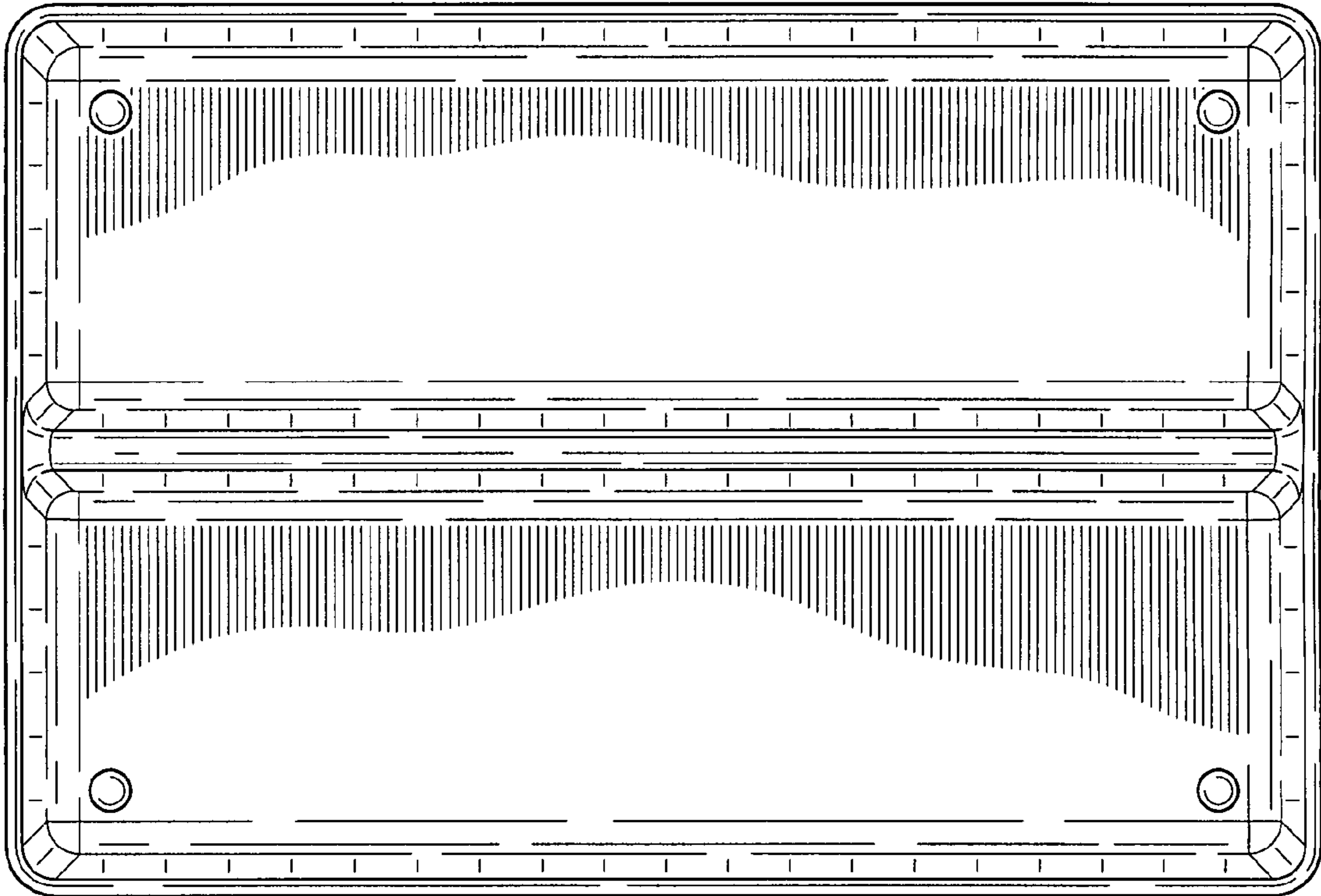


FIG-2

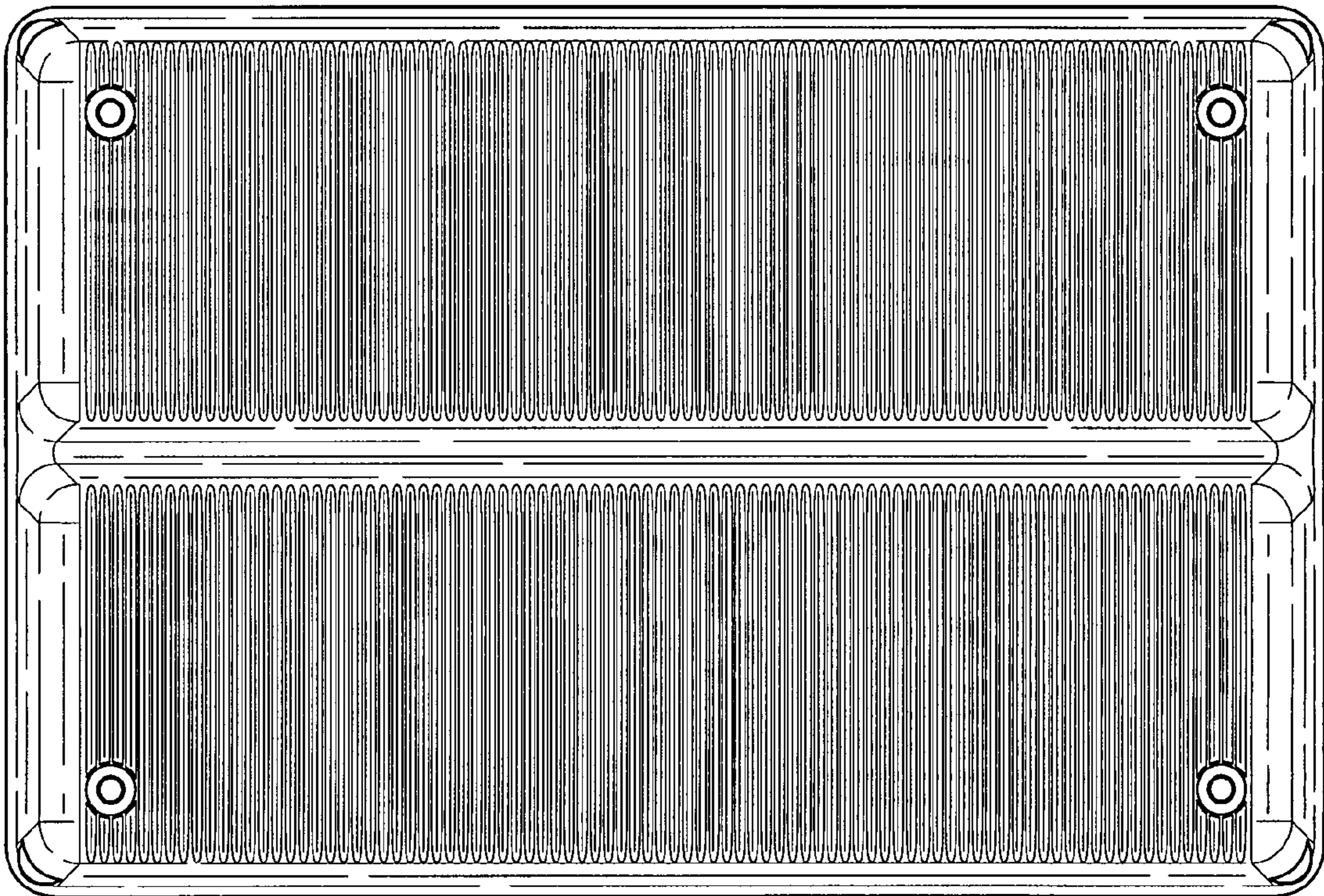


FIG-3

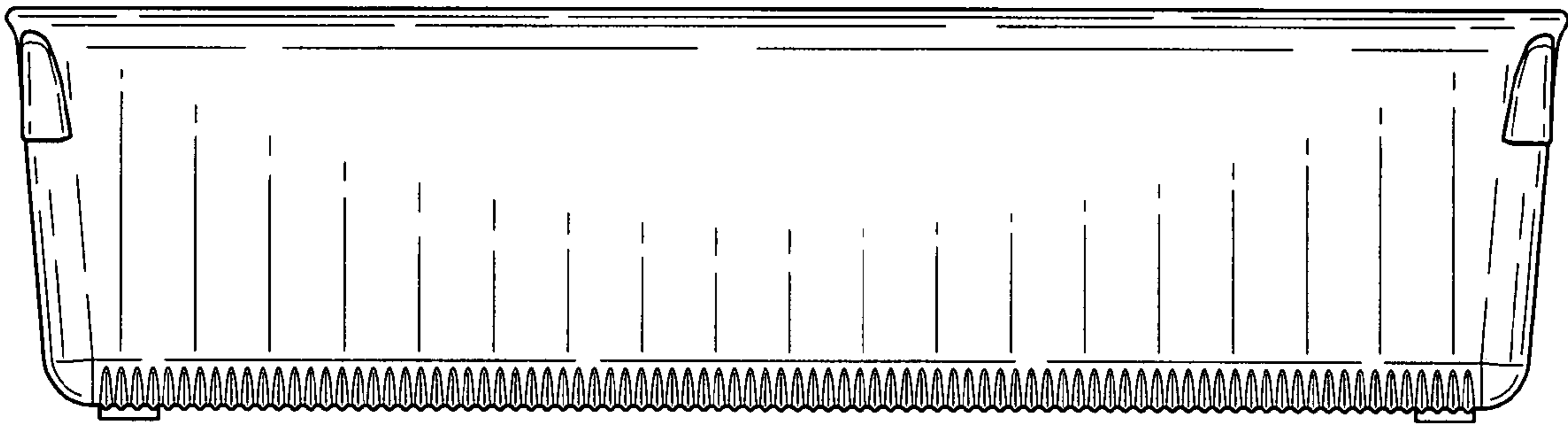


FIG-4

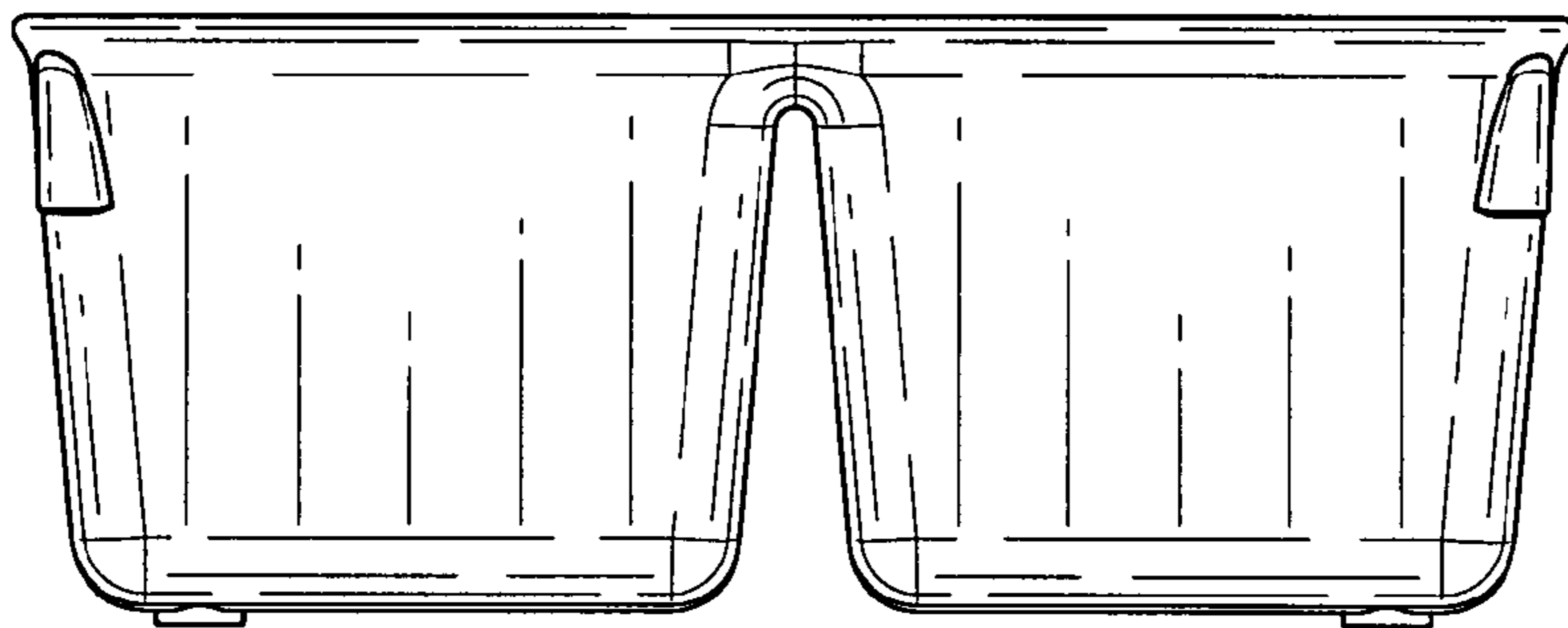


FIG-5