



US00D590593S

(12) **United States Design Patent**  
**Gonzalez**

(10) **Patent No.:** **US D590,593 S**  
(45) **Date of Patent:** **\*\* Apr. 21, 2009**

(54) **HANDBAG**

(75) Inventor: **Alvaro Gonzalez**, Florence (IT)

(73) Assignee: **J. Choo Limited**, London (GB)

(\*\*) Term: **14 Years**

(21) Appl. No.: **29/308,904**

(22) Filed: **Jul. 14, 2008**

(30) **Foreign Application Priority Data**

Jan. 15, 2008 (EM) ..... 000862354-0013

(51) **LOC (9) Cl.** ..... **03-01**

(52) **U.S. Cl.** ..... **D3/232; D3/318**

(58) **Field of Classification Search** ..... D3/232-233,  
D3/240-246, 318, 322, 324; 150/100, 103-104,  
150/107-110, 118-119

See application file for complete search history.

(56) **References Cited**

**U.S. PATENT DOCUMENTS**

D523,241 S \* 6/2006 Gonzalez ..... D3/243

**OTHER PUBLICATIONS**

U.S. Appl. No. 29/294,414, filed Jan. 9, 2008; First named inventor Gonzalez.

U.S. Appl. No. 29/294,436, filed Jan. 9, 2008; First named inventor Gonzalez.

U.S. Appl. No. 29/308,911, filed Jul. 14, 2008; First named inventor Gonzalez.

U.S. Appl. No. 29/271,662, filed Jan. 23, 2007; First named inventor Gonzalez.

\* cited by examiner

*Primary Examiner*—Holly H Baynham

(74) *Attorney, Agent, or Firm*—Fross Zelnick Lehrman & Zissu, PC

(57) **CLAIM**

The ornamental design for a handbag, as shown and described.

**DESCRIPTION**

FIG. 1 is a front perspective view of the handbag shown

FIG. 2 is a front view of the handbag;

FIG. 3 is a rear view of the handbag;

FIG. 4 is a left side view of the handbag;

FIG. 5 is a right side view of the handbag;

FIG. 6 is a top view of the handbag; and,

FIG. 7 is a bottom view of the handbag.

The broken line showing of the zippers, zipper pulls, handles, carabineers, portion of the body of the bag, rear of the body of the bag, grommets, and rivets is for illustrative purposes only and forms no part of the claimed design.

**1 Claim, 7 Drawing Sheets**



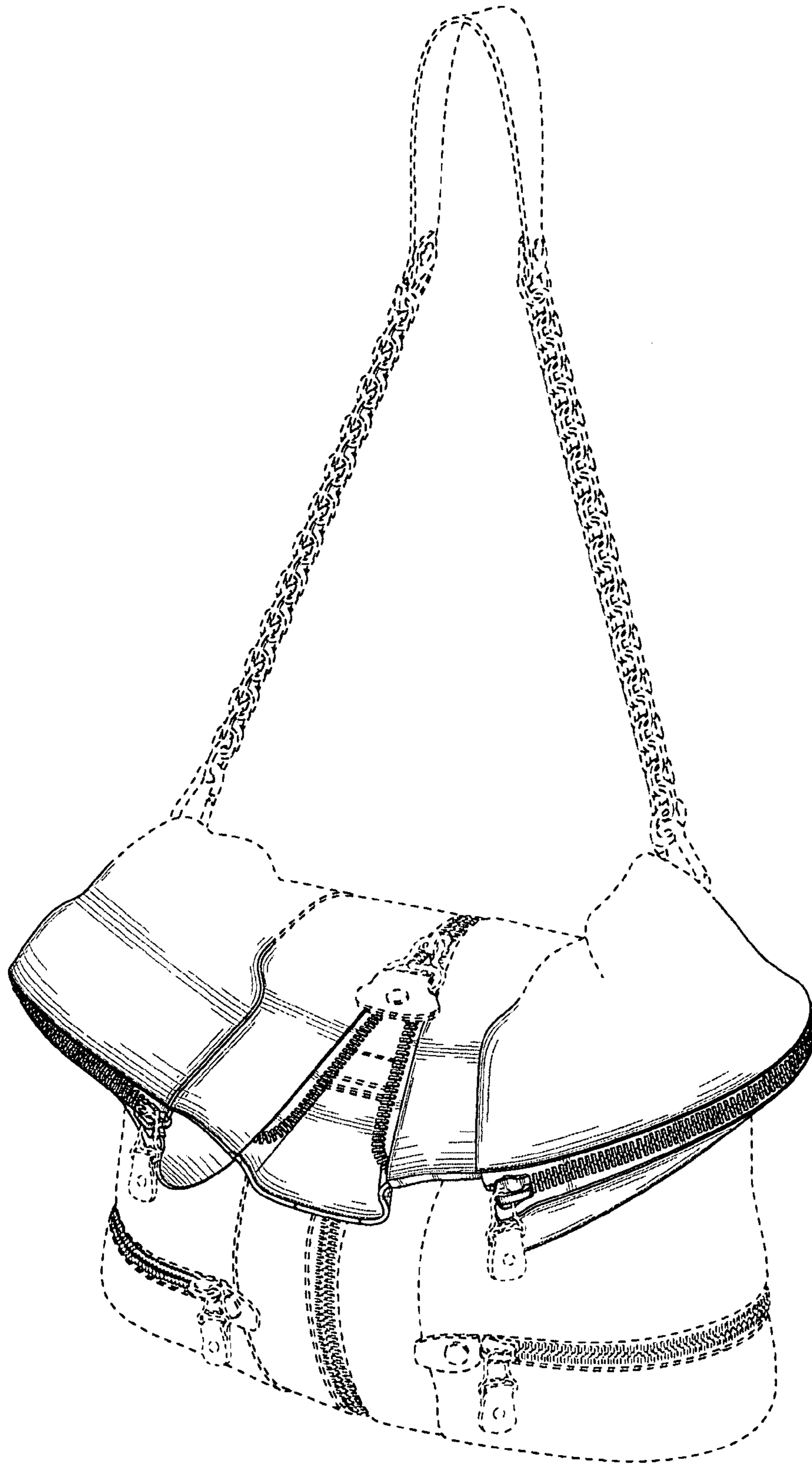


FIG. 1

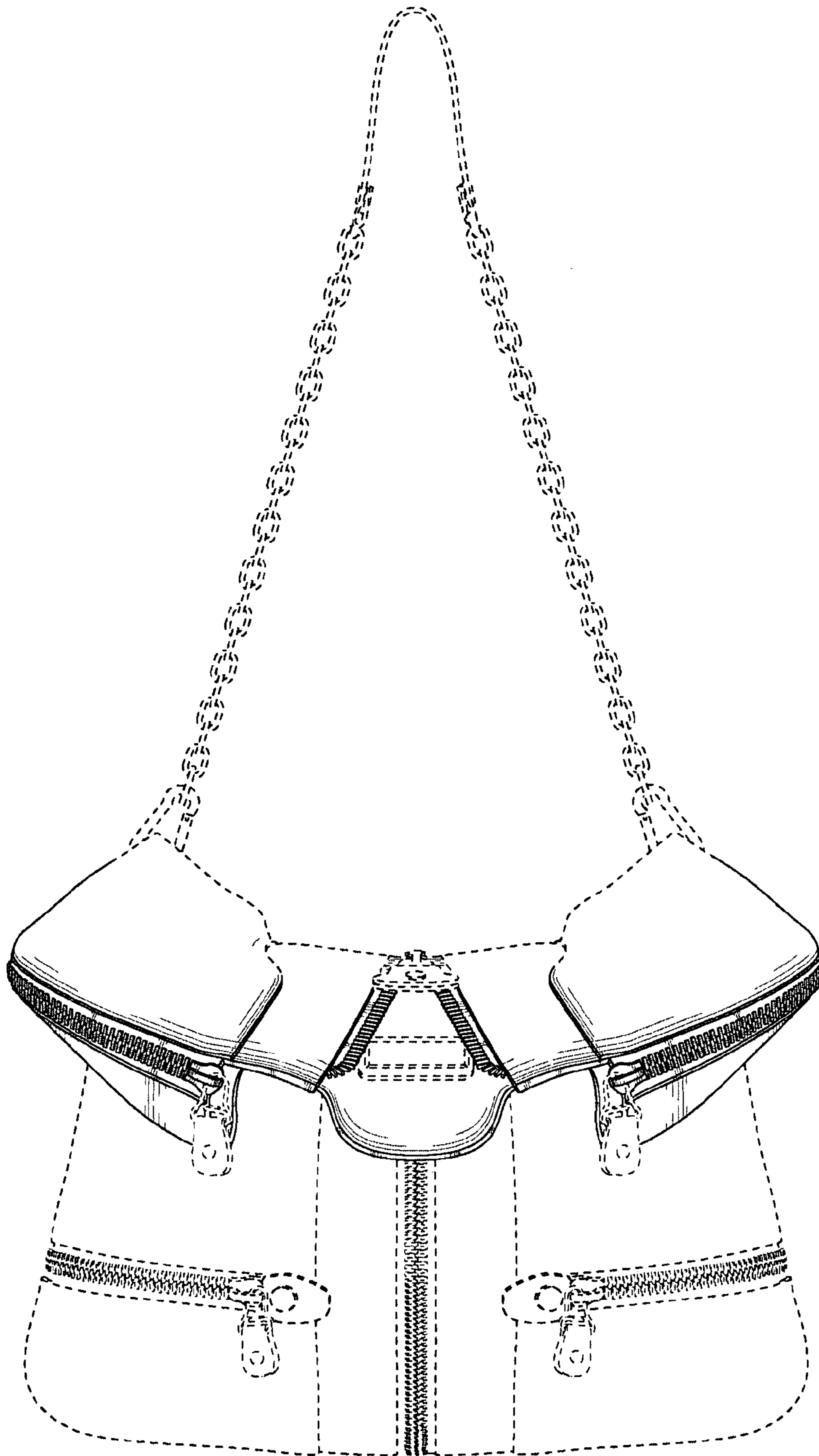


FIG. 2

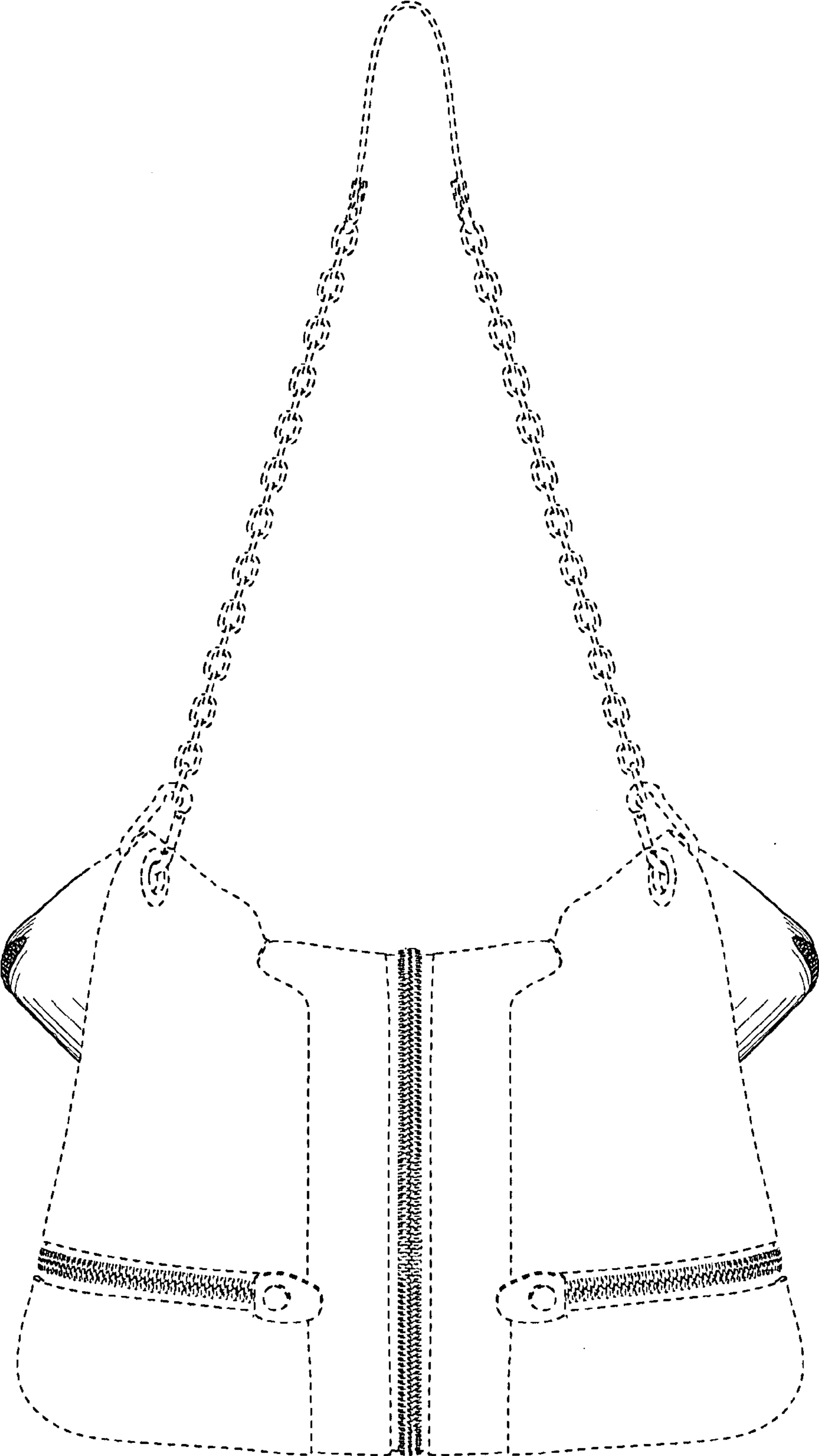


FIG. 3

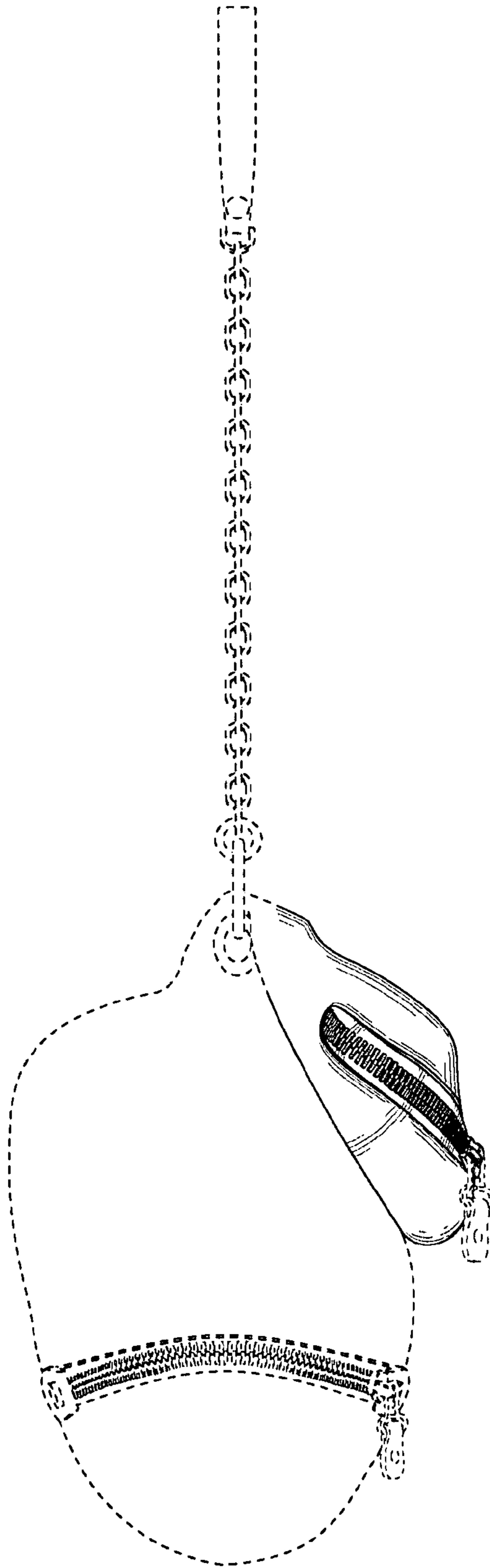


FIG. 4

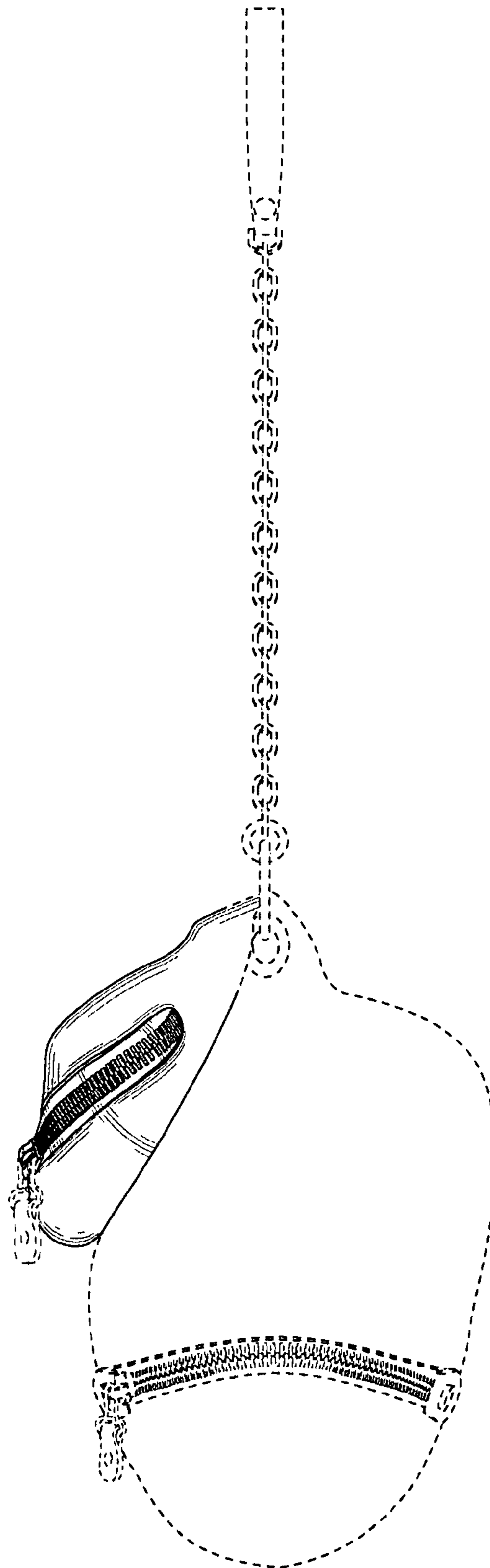


FIG. 5

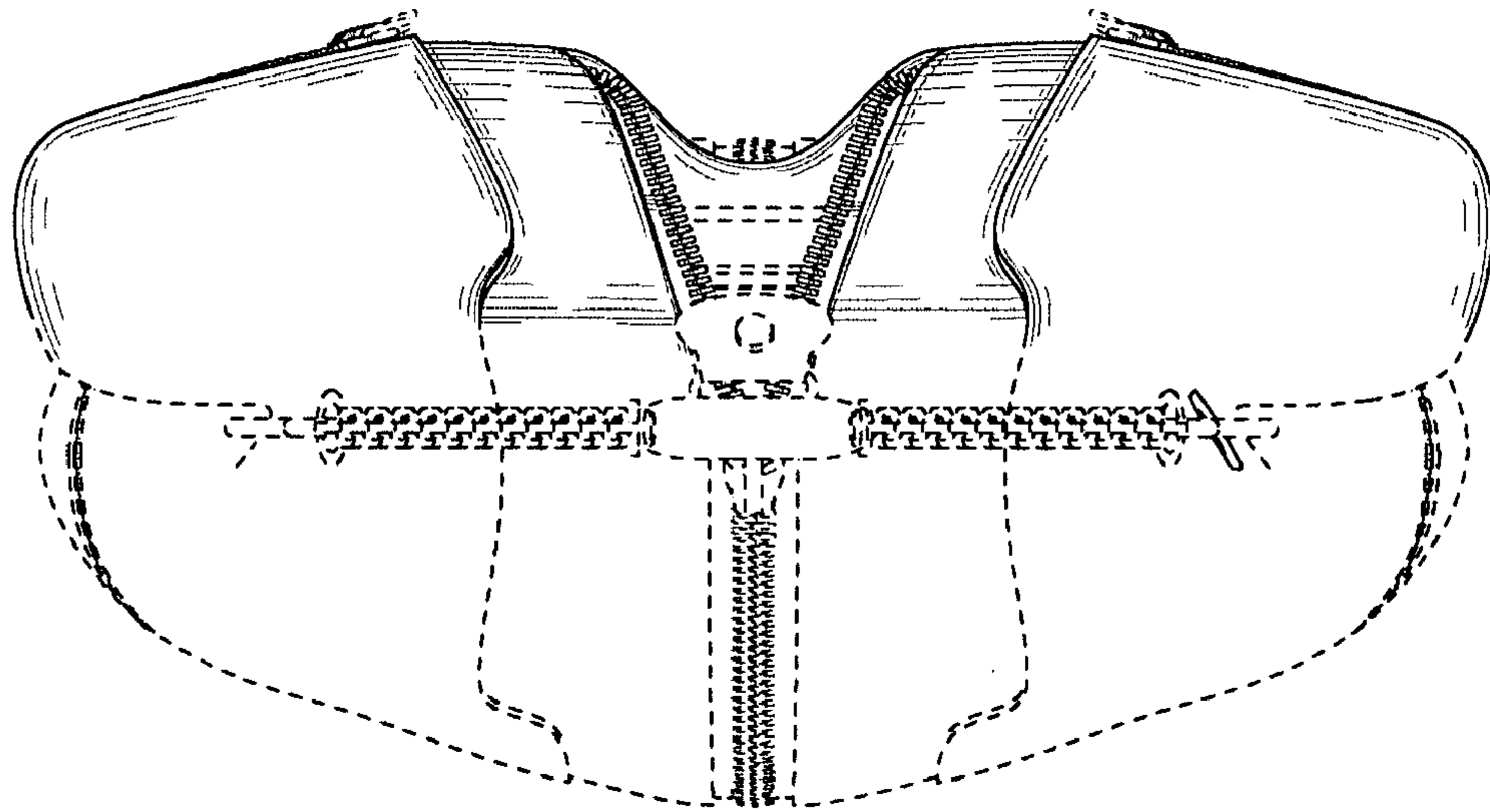


FIG. 6

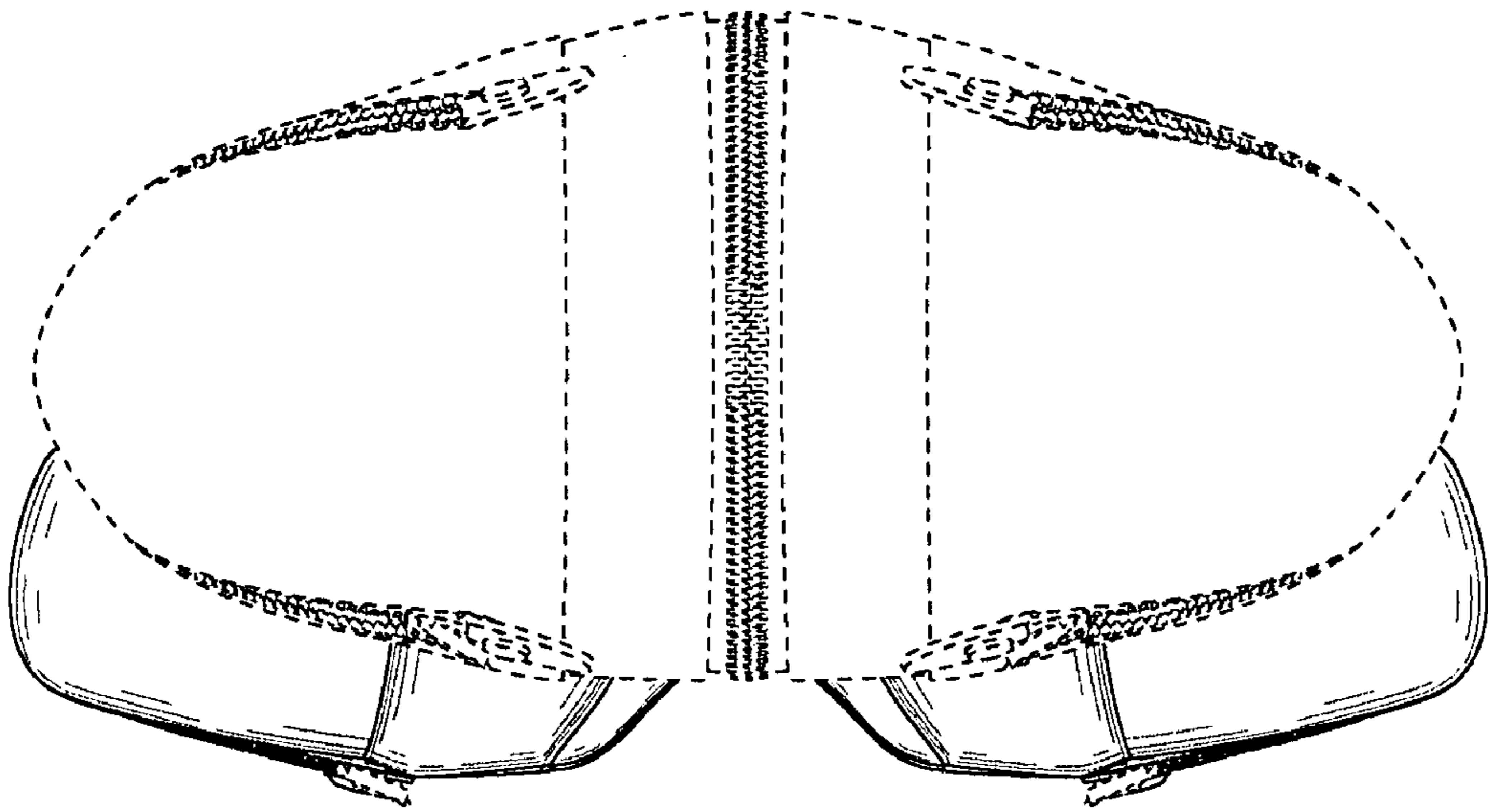


FIG. 7