

US00D590591S

(12) **United States Design Patent**  
**Yates**

(10) **Patent No.:** **US D590,591 S**  
(45) **Date of Patent:** **\*\* Apr. 21, 2009**

(54) **WALKING CANE WITH ADJUSTABLE BASE AND WHEELED BASE**

(76) Inventor: **Billy Yates**, 1264 Wolfe Pen Rd.,  
Clintwood, VA (US) 24228

(\*\*) Term: **14 Years**

(21) Appl. No.: **29/321,474**

(22) Filed: **Jul. 17, 2008**

(51) **LOC (9) Cl.** ..... **03-01**

(52) **U.S. Cl.** ..... **D3/9; D12/130**

(58) **Field of Classification Search** ..... D12/128-133;  
296/65.03, 65.04; 224/409; 297/DIG. 4;  
280/62, 647-650, 29, 200, 47.38, 250.1,  
280/259, 642, 658; D3/7-9

See application file for complete search history.

(56) **References Cited**

U.S. PATENT DOCUMENTS

|               |         |                 |       |        |
|---------------|---------|-----------------|-------|--------|
| D230,531 S *  | 2/1974  | Thomas          | ..... | D3/9   |
| D307,666 S *  | 5/1990  | Fisher          | ..... | D3/9   |
| D329,538 S *  | 9/1992  | Rau             | ..... | D3/9   |
| 5,692,533 A * | 12/1997 | Meltzer         | ..... | 135/65 |
| 5,839,461 A   | 11/1998 | Lambeth, Jr.    |       |        |
| D408,126 S *  | 4/1999  | Hunnicut et al. | ..... | D3/7   |

|                   |         |                |       |        |
|-------------------|---------|----------------|-------|--------|
| 6,158,453 A *     | 12/2000 | Nasco          | ..... | 135/85 |
| 6,708,705 B2 *    | 3/2004  | Nasco, Sr.     | ..... | 135/85 |
| 6,933,855 B2      | 8/2005  | Preston        |       |        |
| D521,720 S *      | 5/2006  | Karasin et al. | ..... | D3/7   |
| D528,780 S *      | 9/2006  | Karasin et al. | ..... | D3/10  |
| 7,261,114 B2 *    | 8/2007  | Karasin et al. | ..... | 135/85 |
| 2003/0094191 A1 * | 5/2003  | Lin            | ..... | 135/65 |

\* cited by examiner

*Primary Examiner*—Ian Simmons  
*Assistant Examiner*—Charles D Hanson  
(74) *Attorney, Agent, or Firm*—Kyle Fletcher

(57) **CLAIM**

The ornamental design for the walking cane with adjustable base and wheeled base, as shown and described.

**DESCRIPTION**

FIG. 1 is a front view of a walking cane with adjustable base and wheeled base showing my new design;

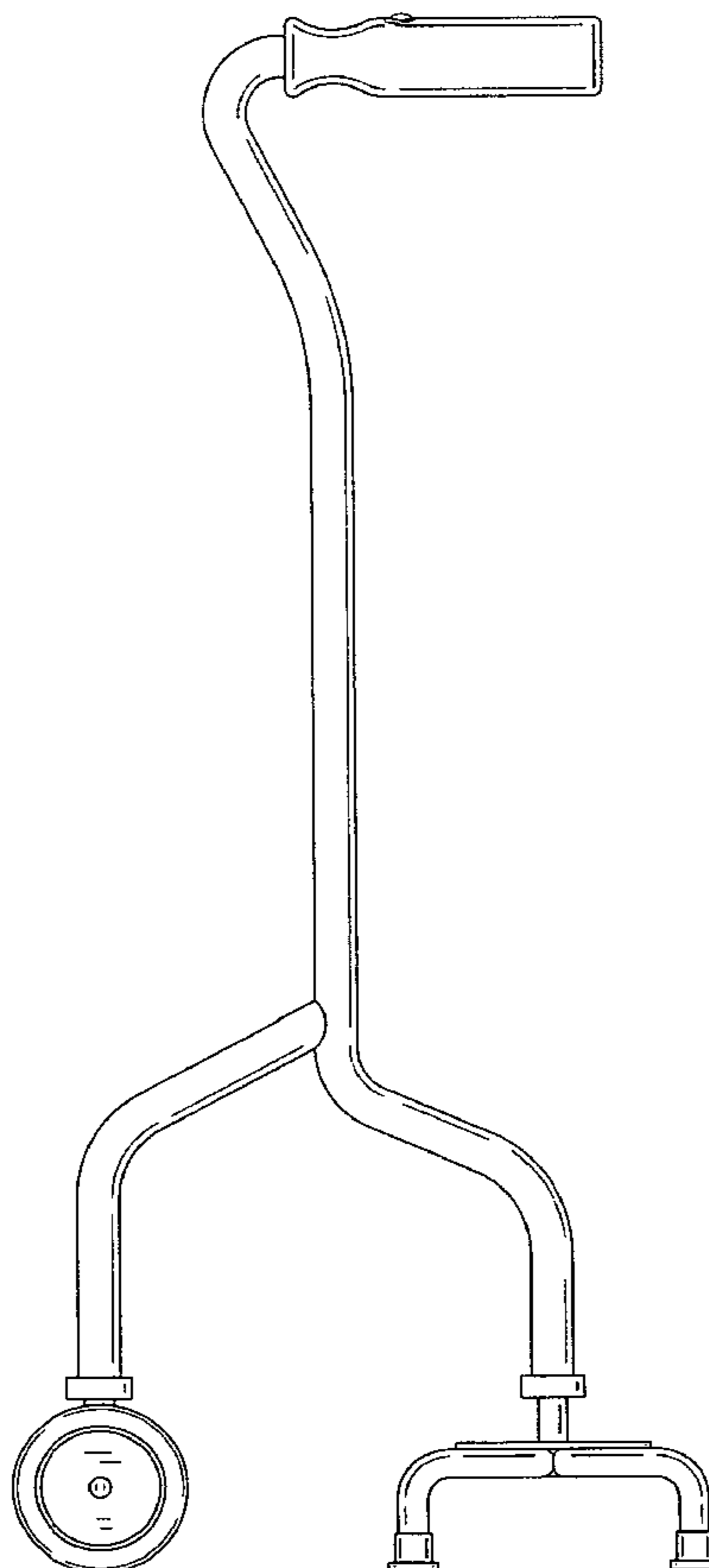
FIG. 2 is a left side view thereof;

FIG. 3 is a right side view thereof;

FIG. 4 is a top view thereof; and,

FIG. 5 is a bottom view thereof.

**1 Claim, 3 Drawing Sheets**



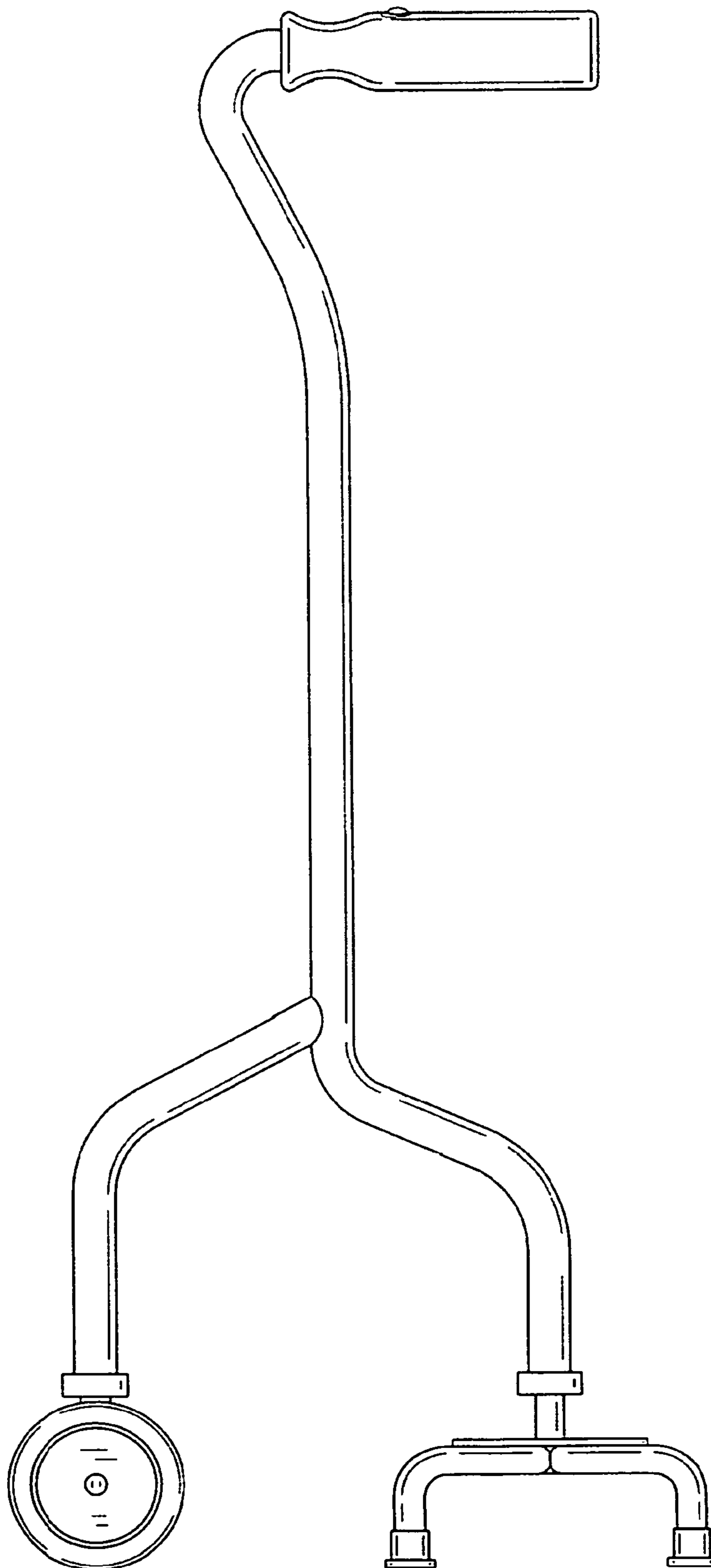


FIG. 1

FIG. 2

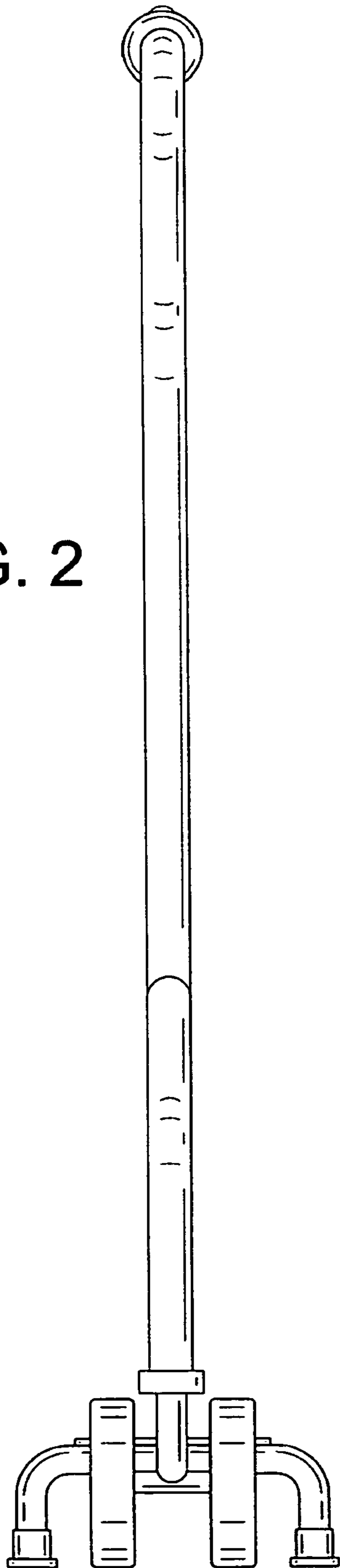
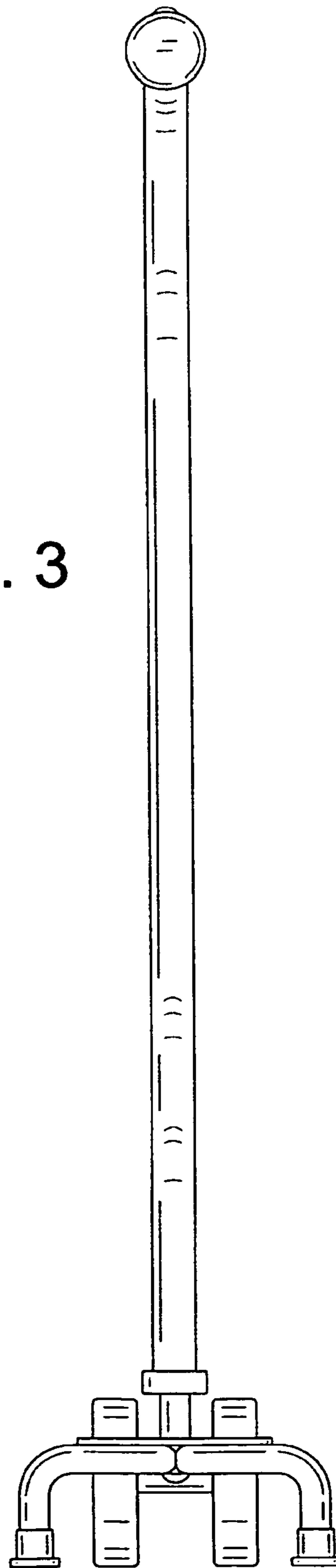


FIG. 3



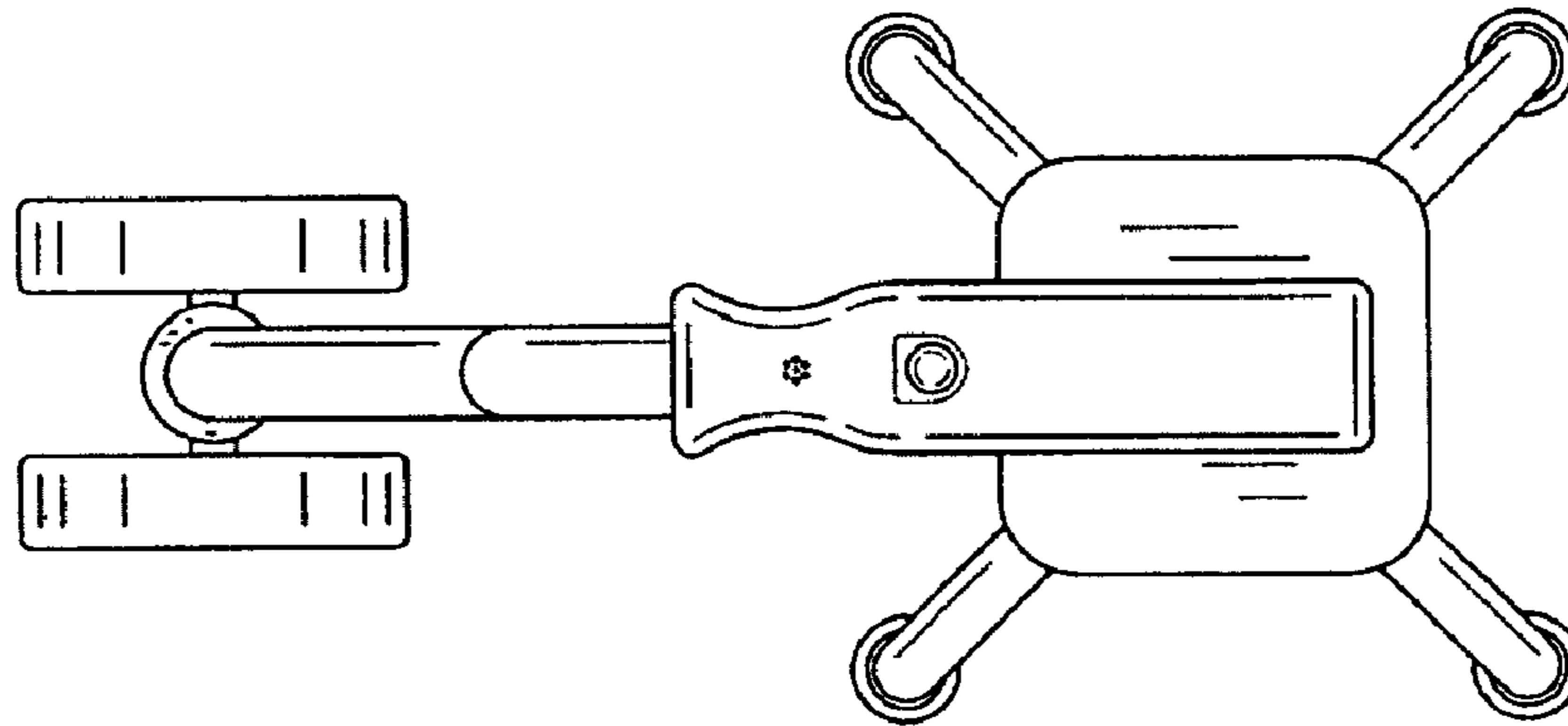


FIG. 4

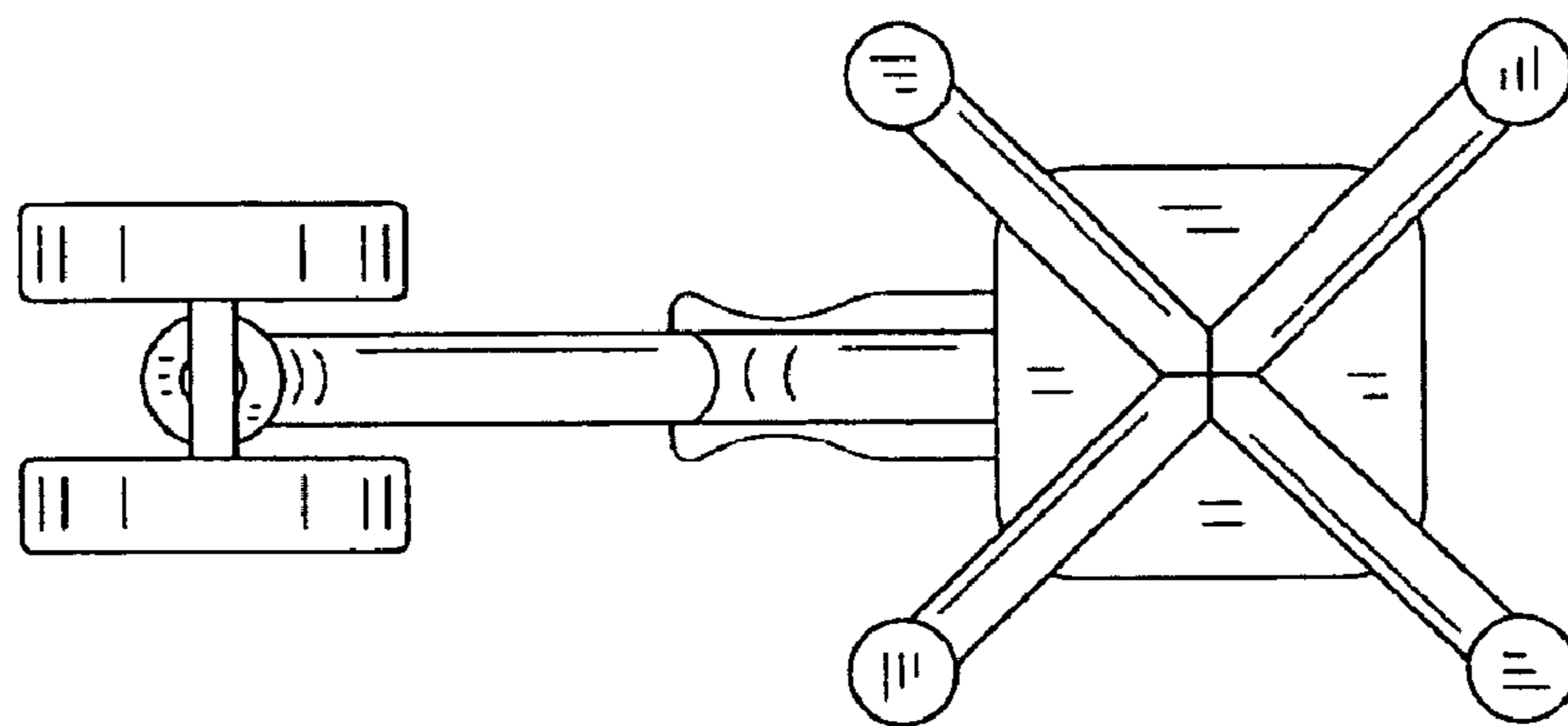


FIG. 5