

US00D590588S

(12) **United States Design Patent**
del Biondi et al.

(10) **Patent No.:** **US D590,588 S**

(45) **Date of Patent:** **** Apr. 21, 2009**

(54) **FOOTWEAR**

(75) Inventors: **Stefano del Biondi**, Noventa Padovana (IT); **Marianna Zuin**, Villatora di Saonara (IT); **Stefano Ferniani**, Padua (IT); **Aldo Ferniani**, Abano Terme (IT)

(73) Assignee: **Crocs, Inc.**, Niwot, CO (US)

(**) Term: **14 Years**

(21) Appl. No.: **29/280,523**

(22) Filed: **May 30, 2007**

Related U.S. Application Data

(63) Continuation-in-part of application No. 29/275,208, filed on Dec. 16, 2006, now abandoned, which is a continuation-in-part of application No. 29/275,185, filed on Dec. 15, 2006, now abandoned, and application No. 29/280,523, which is a continuation-in-part of application No. 29/275,185, filed on Dec. 15, 2006, now abandoned.

(51) **LOC (9) Cl.** **02-99**

(52) **U.S. Cl.** **D2/969; D2/923; D2/919**

(58) **Field of Classification Search** D2/896,
D2/902, 903, 919, 923, 925, 926, 969; 36/1,
36/83, 113, 114, 116, 4, 24.5, 26, 87
See application file for complete search history.

(56) **References Cited**

U.S. PATENT DOCUMENTS

D155,956 S * 11/1949 Wood D2/969
6,993,858 B2 2/2006 Seamans
D517,789 S * 3/2006 Seamans D2/969
D517,790 S * 3/2006 Seamans D2/969
D529,263 S * 10/2006 Wolf D2/923

7,146,751 B2 12/2006 Seamans
D545,032 S * 6/2007 Wolf D2/923
D545,033 S * 6/2007 Wolf D2/926
D561,982 S * 2/2008 Hoyt D2/896
D564,207 S 3/2008 Seamans
D567,482 S * 4/2008 Hoyt D2/896
D573,778 S * 7/2008 Hawker D2/896

FOREIGN PATENT DOCUMENTS

IT PD2006U73 5/2006

OTHER PUBLICATIONS

U.S. Appl. No. 29/276,614, filed Jan. 30, 2007.
U.S. Appl. No. 29/280,627, filed Jun. 3, 2007.

* cited by examiner

Primary Examiner—Dominic Simone

(74) *Attorney, Agent, or Firm*—Faegre & Benson, LLP

(57) **CLAIM**

The ornamental design for footwear, as shown and described.

DESCRIPTION

FIG. 1 is a front perspective view.

FIG. 2 is a front view.

FIG. 3 is a back view.

FIG. 4 is an inner side view.

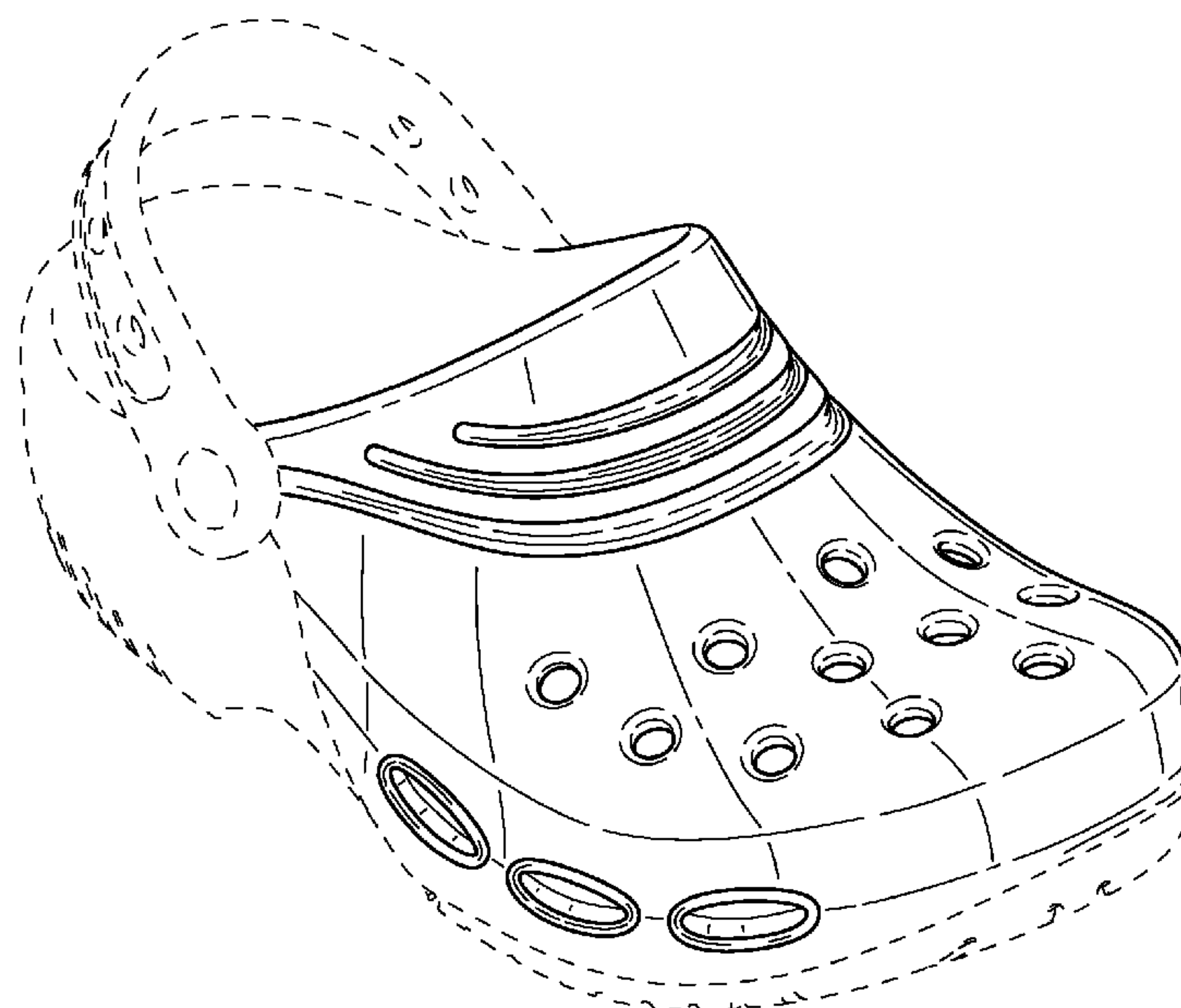
FIG. 5 is an outer side view.

FIG. 6 is a top view; and,

FIG. 7 is a bottom view.

The broken line showing of the sole, upper, strap, and surface treatment thereof is for illustrative purpose only and forms no part of the claimed design.

1 Claim, 7 Drawing Sheets



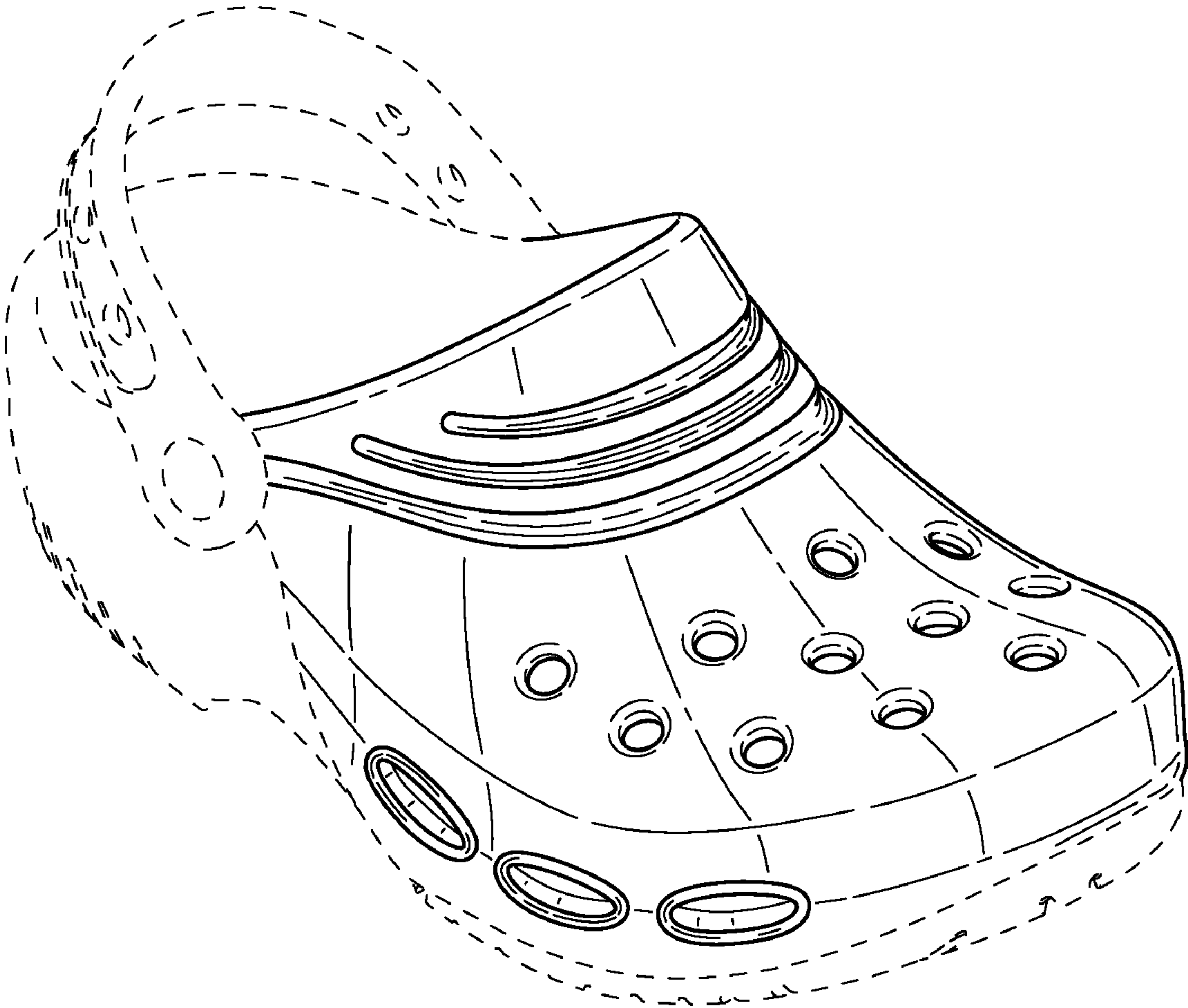


FIG.1

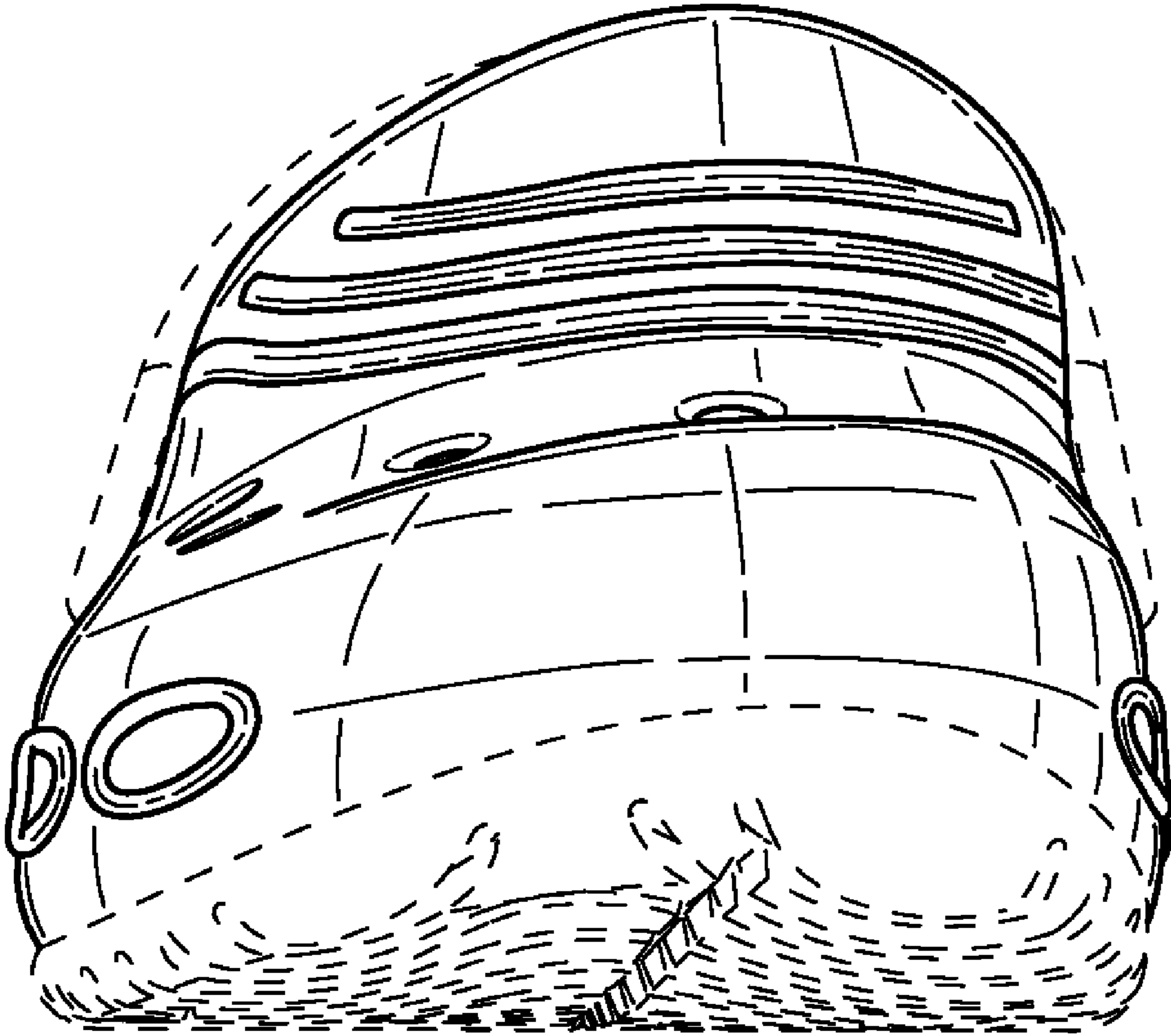


FIG.2

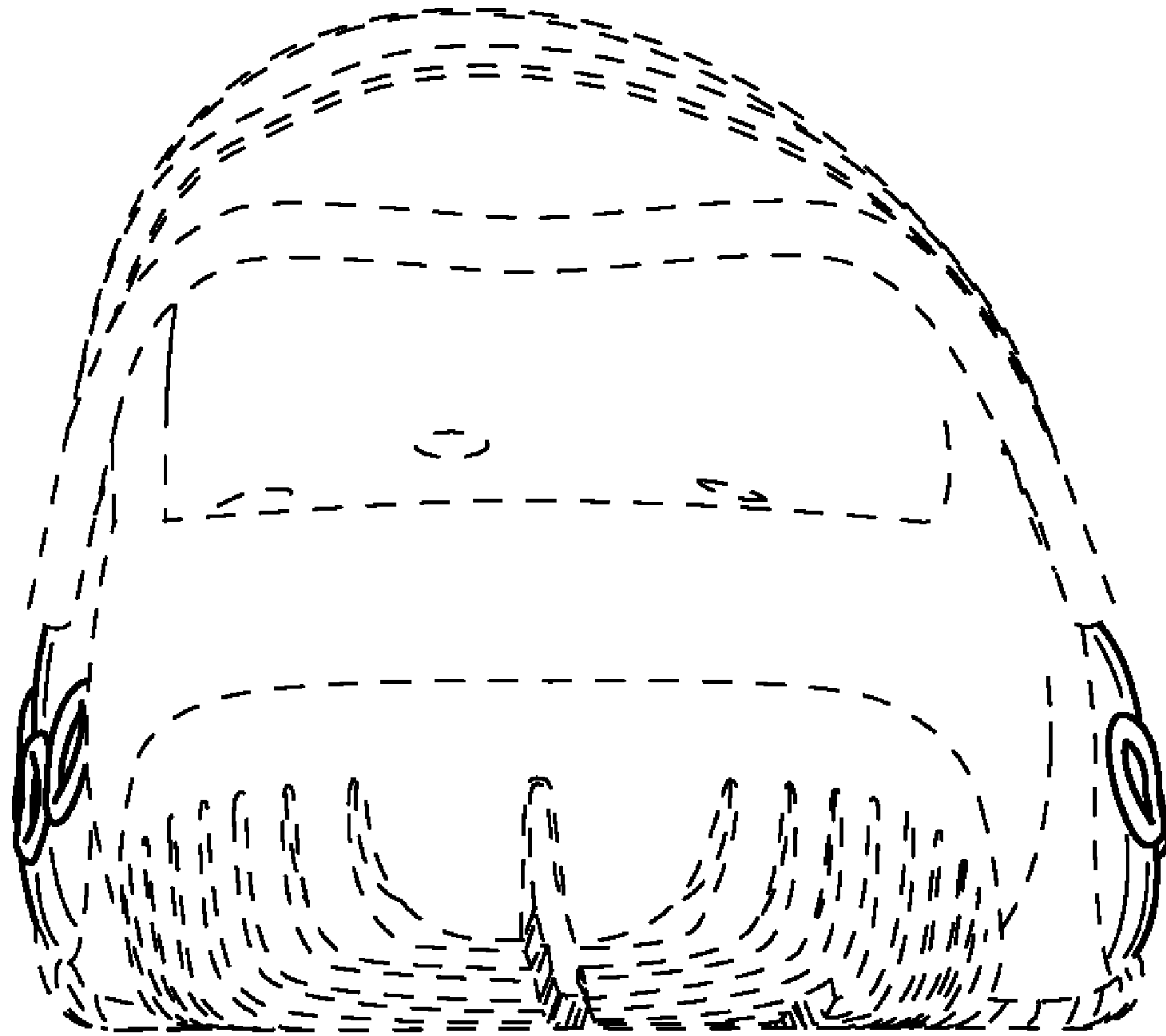


FIG.3

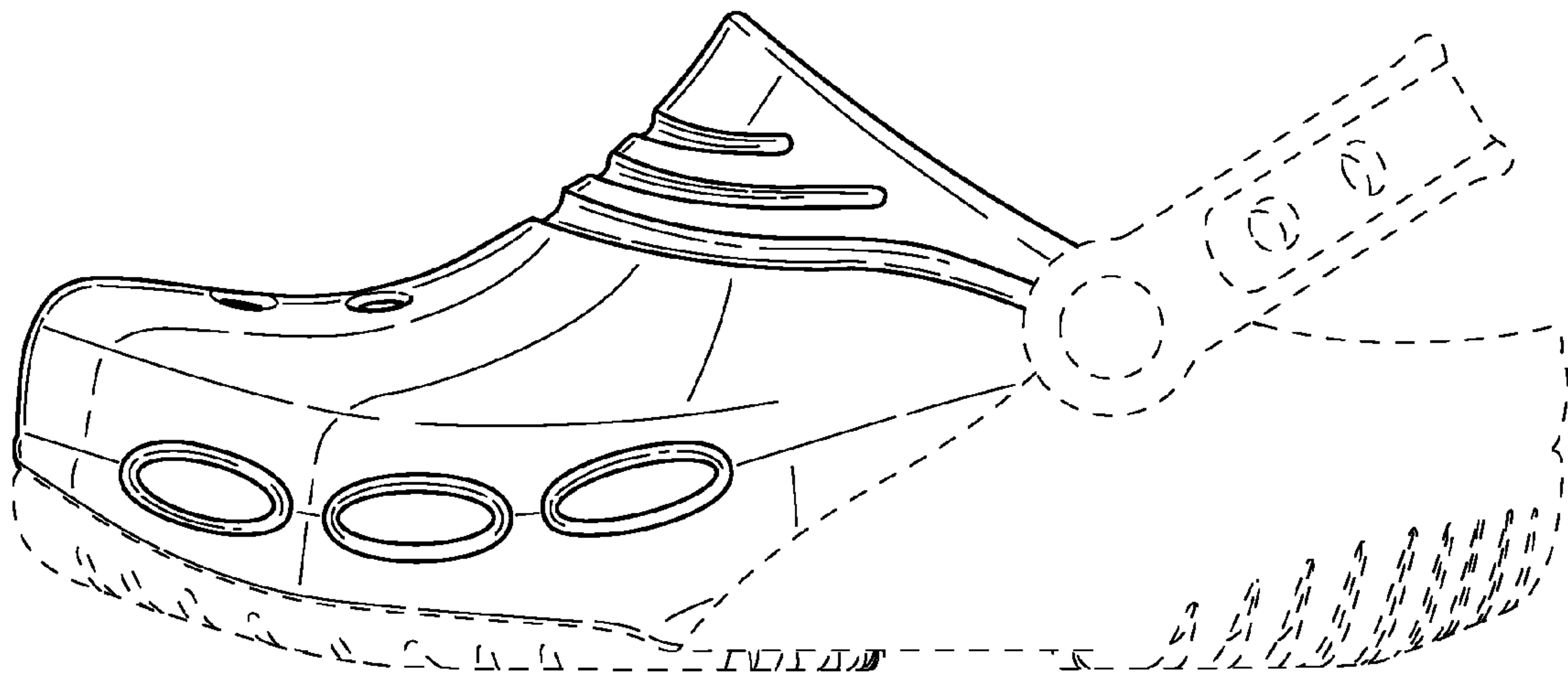


FIG.4

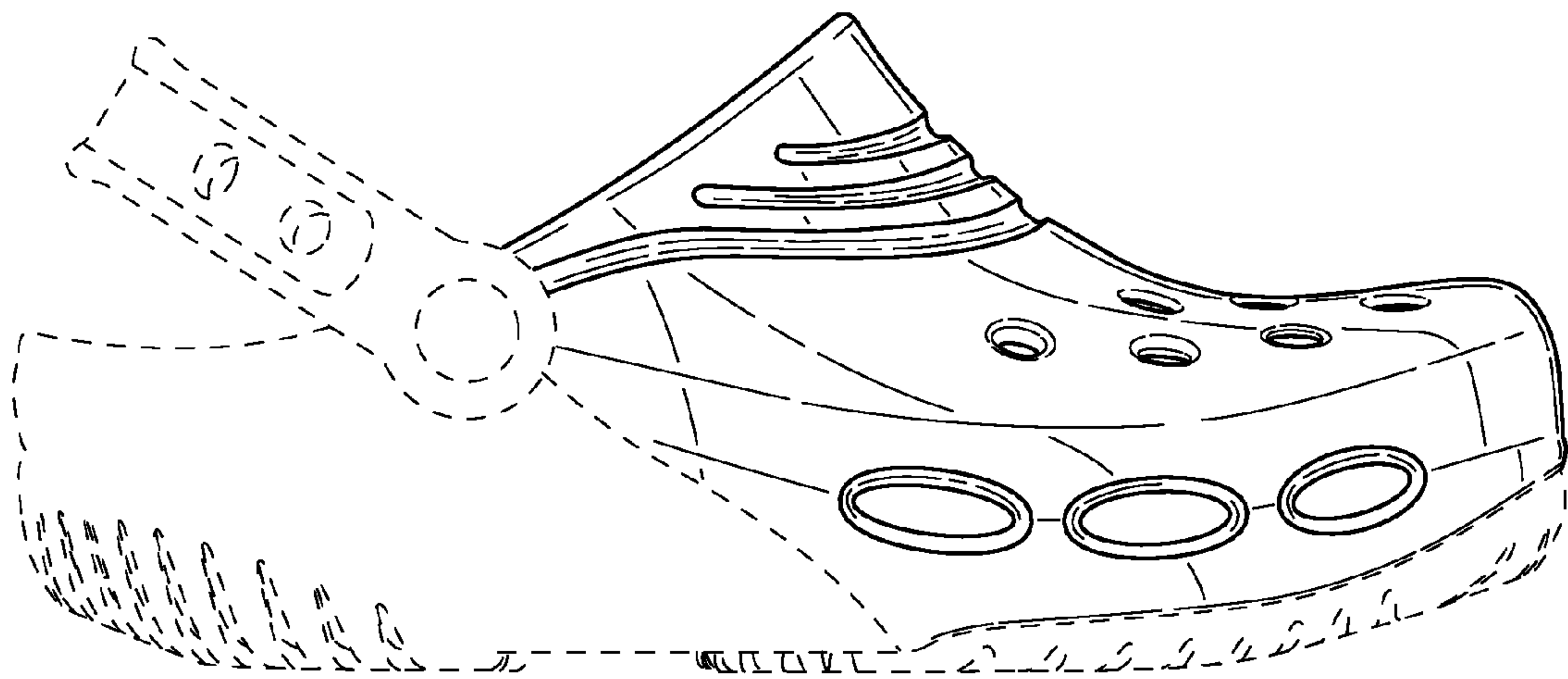


FIG.5

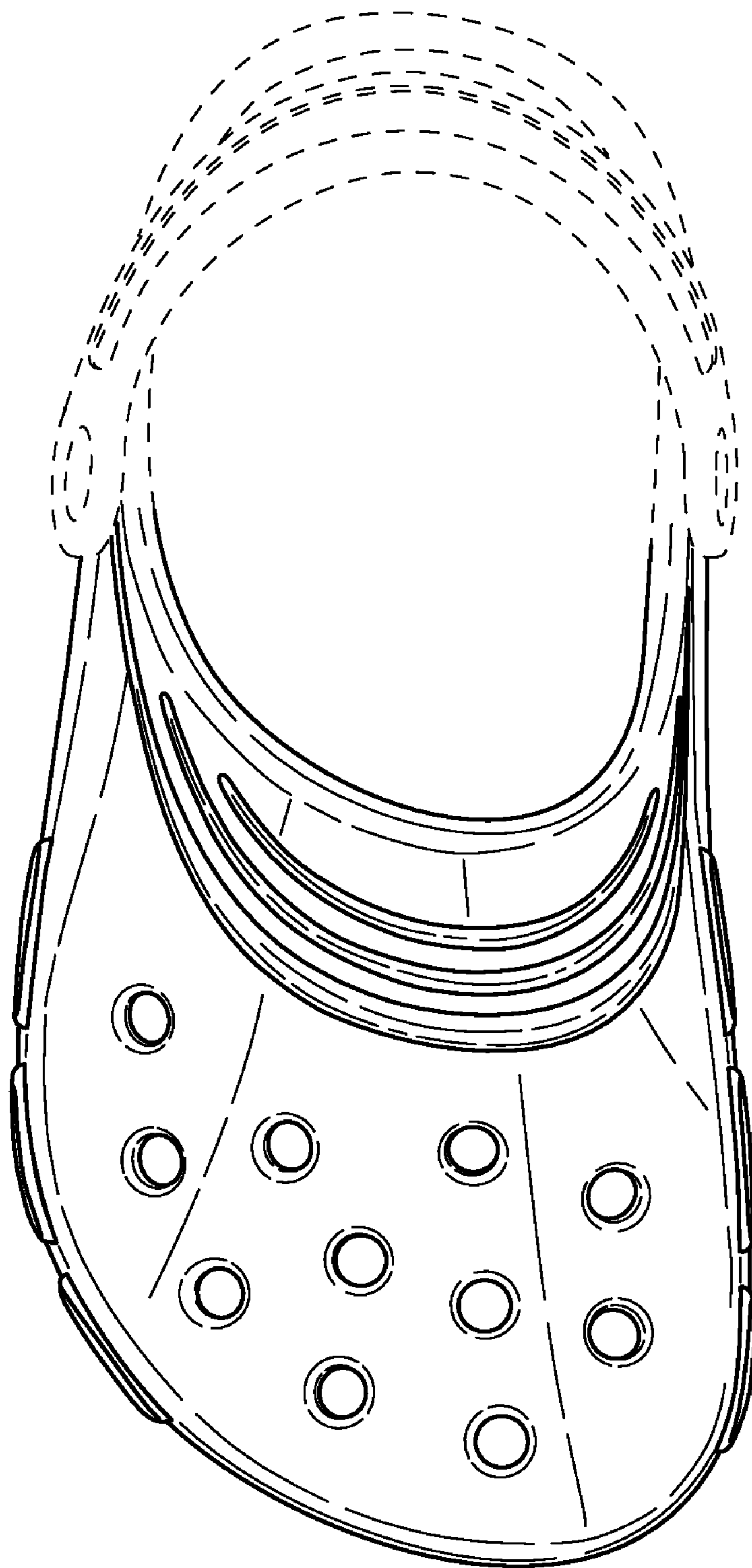


FIG.6

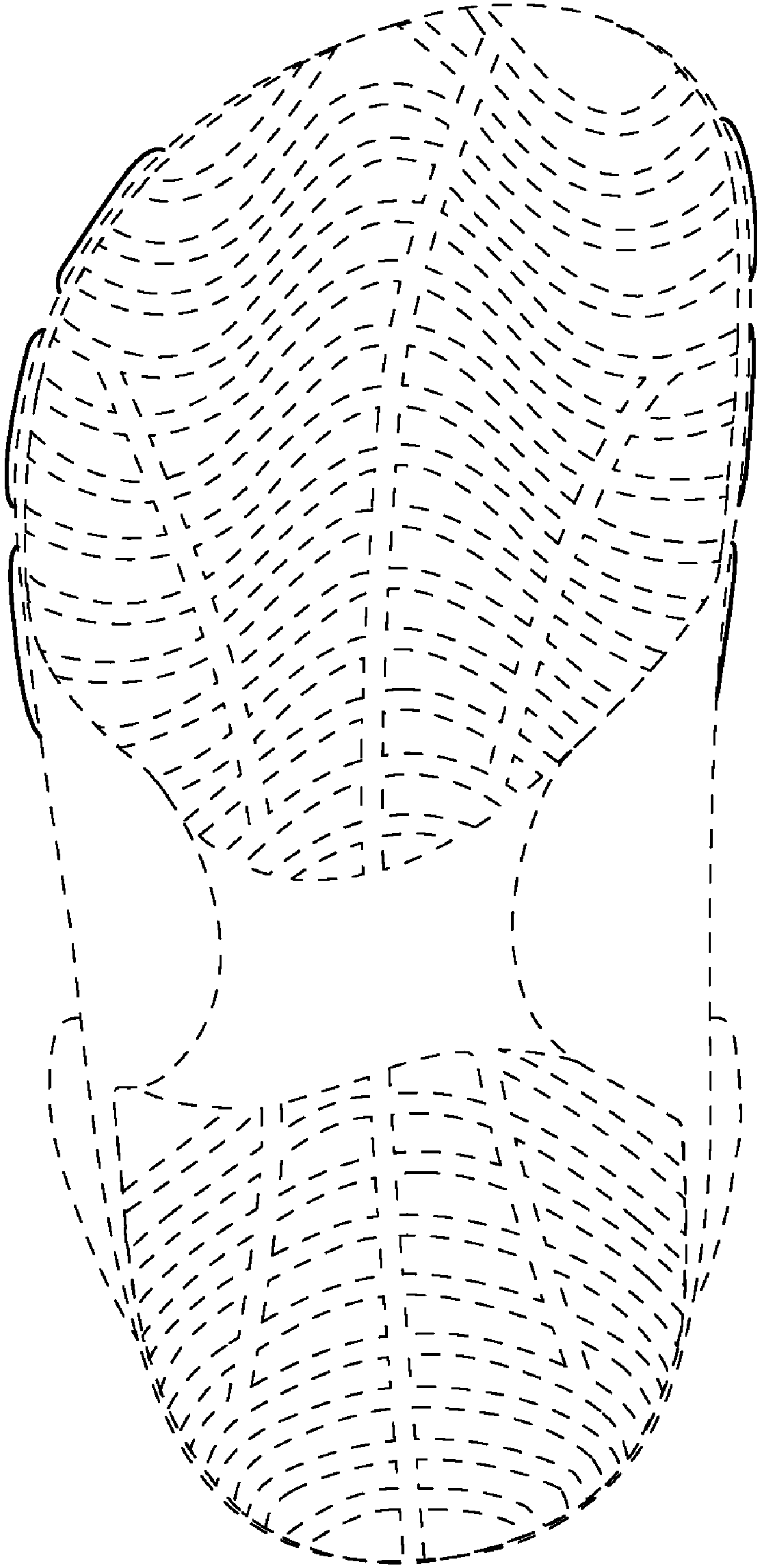


FIG.7