



US00D590582S

(12) **United States Design Patent**
Torres

(10) **Patent No.:** **US D590,582 S**

(45) **Date of Patent:** **** Apr. 21, 2009**

(54) **SANDAL**

D559,505 S * 1/2008 Hearn et al. D2/916

(76) Inventor: **Gerald Torres**, 406 W. Imperial Hwy., #210, Brea, CA (US) 92821

* cited by examiner

(**) Term: **14 Years**

Primary Examiner—Stella M Reid

Assistant Examiner—Keli L Hill

(21) Appl. No.: **29/305,527**

(74) *Attorney, Agent, or Firm*—Julio M. Loza; Loza & Loza, LLP

(22) Filed: **Mar. 21, 2008**

(57) **CLAIM**

(51) **LOC (9) Cl.** **02-04**

The ornamental design for a sandal, as shown and described.

(52) **U.S. Cl.** **D2/917; D2/969**

(58) **Field of Classification Search** D2/896,
D2/916–919, 925, 932, 939, 940, 969, 971,
D2/972, 975, 978; 36/83, 84, 106, 3 A, 7.5,
36/11.5, 45

DESCRIPTION

See application file for complete search history.

FIG. 1 is a perspective view of a sandal, showing my new design;

FIG. 2 is a top view of the sandal;

FIG. 3 is a side view of the sandal;

FIG. 4 is an alternate side view of the sandal;

FIG. 5 is a front view of the sandal; and,

FIG. 6 is a back view of the sandal.

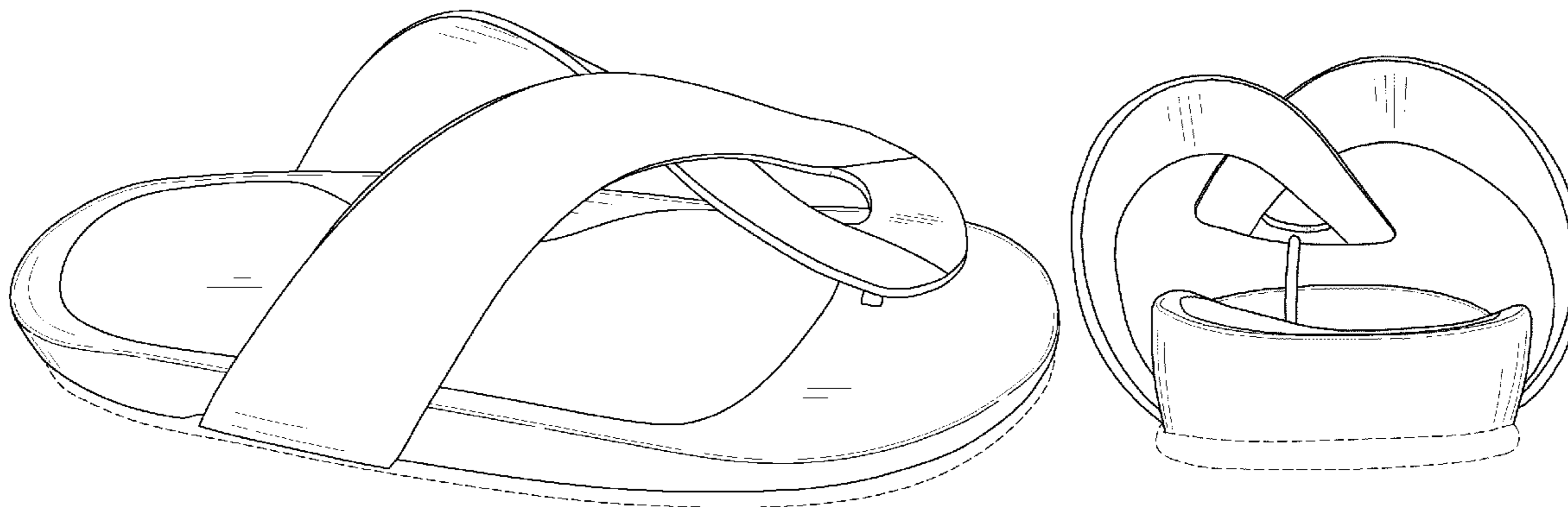
The broken line showing of environment is for illustrative purposes only and forms no part of the claimed design.

(56) **References Cited**

U.S. PATENT DOCUMENTS

3,290,802	A *	12/1966	Fukuoka	36/11.5
D207,163	S *	3/1967	Fukuoka	D2/917
4,843,736	A *	7/1989	Courian	36/11.5
D360,973	S *	8/1995	Bailey	D2/969
D446,633	S *	8/2001	Ferris	D2/917
D548,932	S *	8/2007	Choi	D2/917

1 Claim, 5 Drawing Sheets



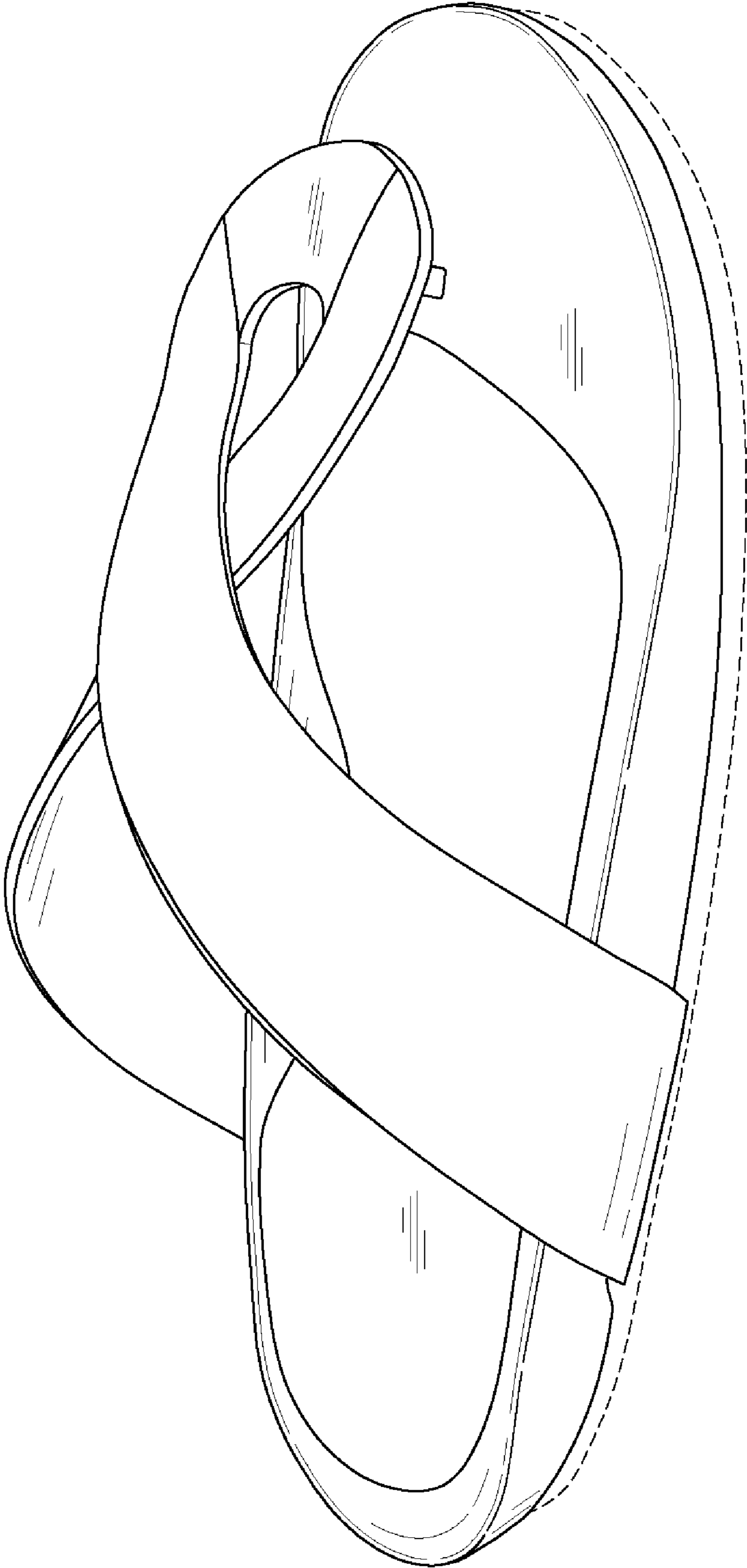


FIG. 1



FIG. 2

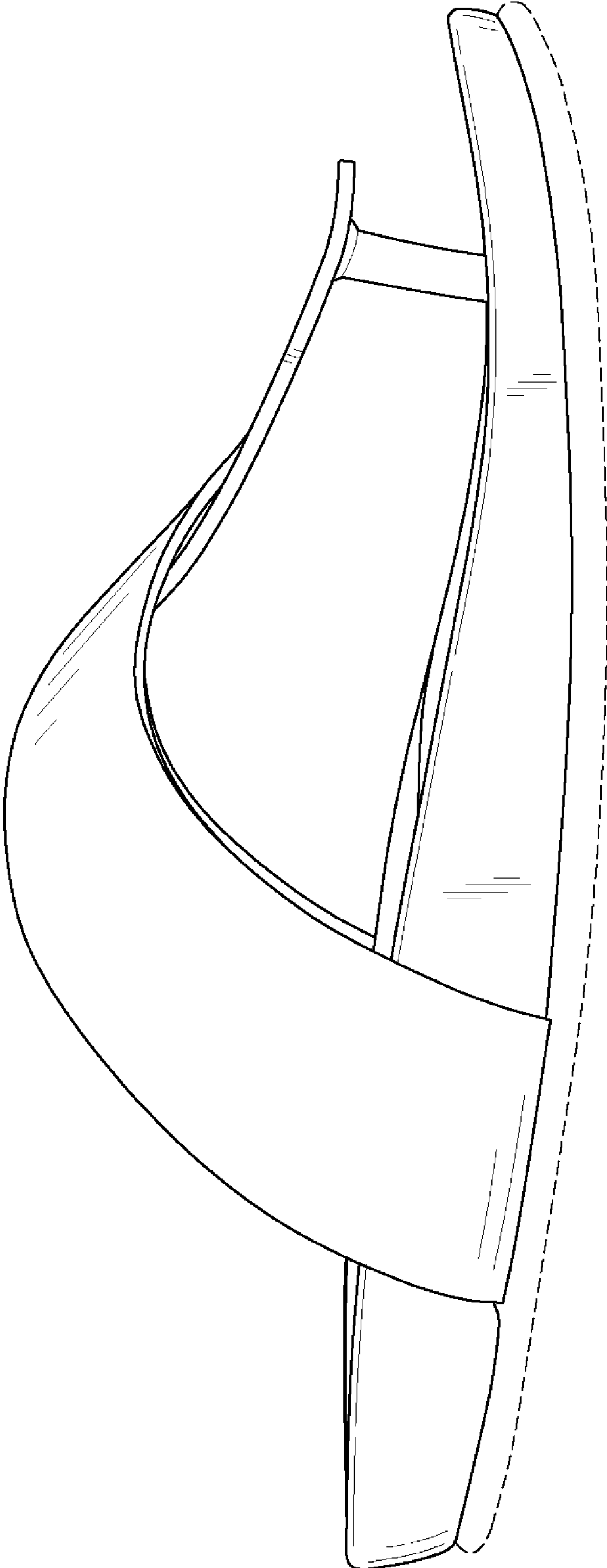


FIG. 3



FIG. 4

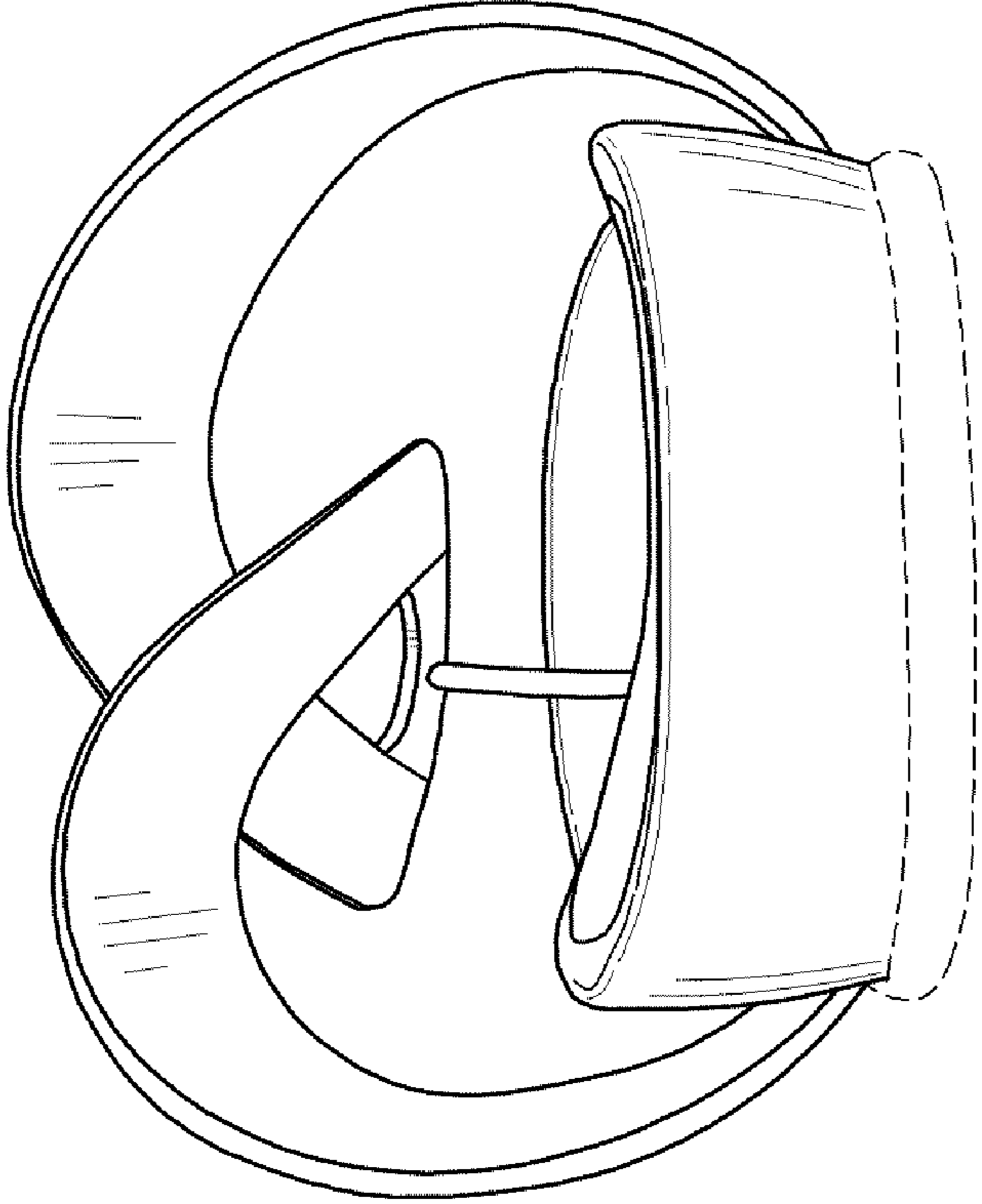


FIG. 5

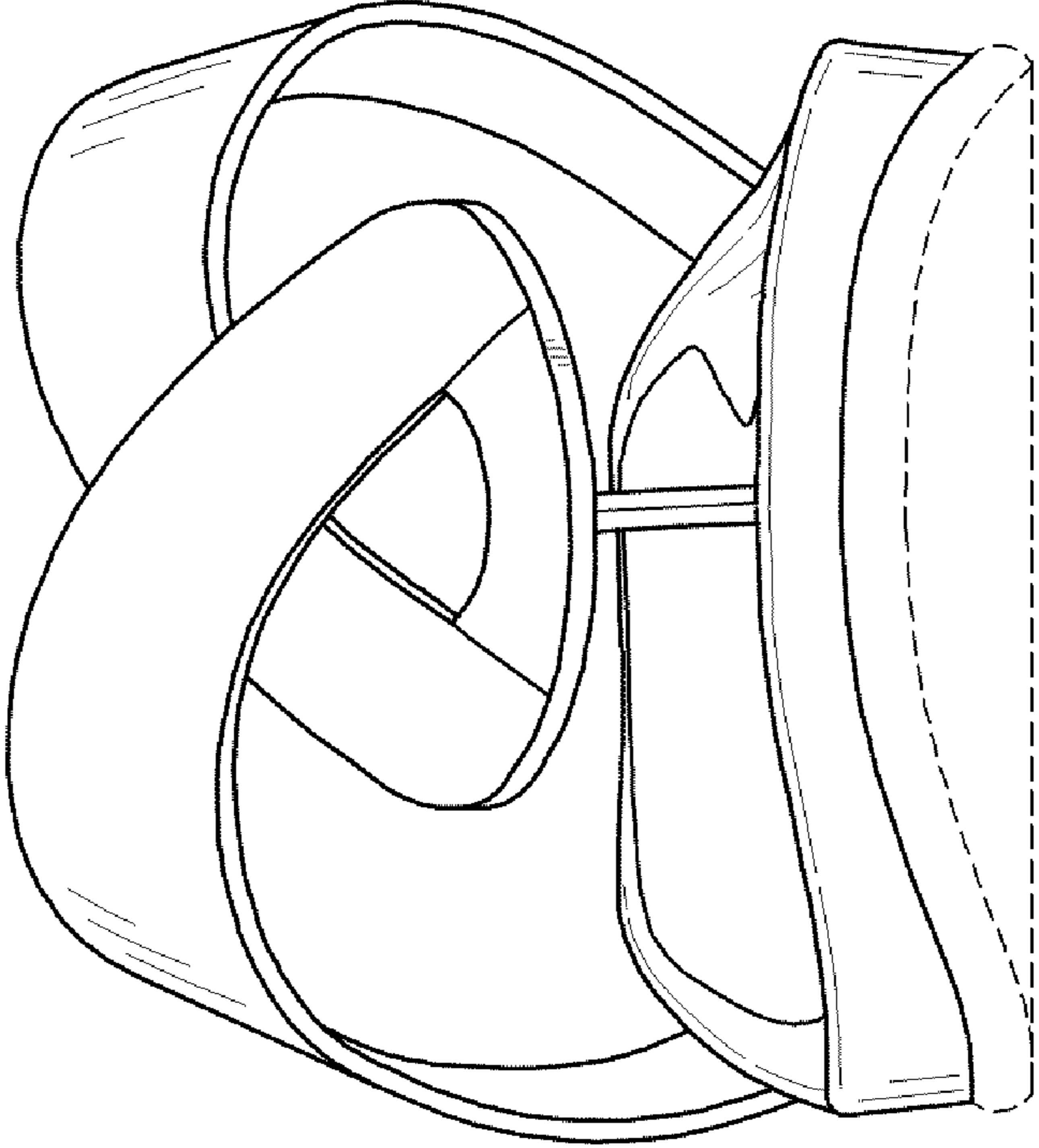


FIG. 6