



US00D590575S

(12) **United States Design Patent**  
**Bleck**

(10) **Patent No.:** **US D590,575 S**  
(45) **Date of Patent:** **\*\* Apr. 14, 2009**

(54) **KEYBOARD WITH INTEGRATED SIGHT SHIELD**

(75) Inventor: **Frank Bleck**, Paderborn (DE)

(73) Assignee: **Wincor Nixdorf International GmbH**  
(DE)

(\*\*) Term: **14 Years**

(21) Appl. No.: **29/301,101**

(22) Filed: **Feb. 8, 2008**

(30) **Foreign Application Priority Data**

Sep. 7, 2007 (DE) ..... 4 07 04 457

(51) **LOC (9) Cl.** ..... **14-02**

(52) **U.S. Cl.** ..... **D99/43; D14/399**

(58) **Field of Classification Search** ..... D99/28,  
D99/34-43, 99; D18/3.1-3.3, 4.6; D14/244,  
D14/339, 385, 387, 390-393, 399, 448, 455;  
235/375-381; 705/35, 43; 109/2, 24.1, 50,  
109/53, 66, 83; 106/644; 52/659, 73; 902/8,  
902/21-22, 30; 340/5.41; 348/150; D20/2;  
206/320

See application file for complete search history.

(56) **References Cited**

**U.S. PATENT DOCUMENTS**

- D282,936 S \* 3/1986 Gardner et al. .... D20/1
- D289,819 S \* 5/1987 Long ..... D99/28
- D295,175 S \* 4/1988 Long ..... D18/4.6
- D309,052 S \* 7/1990 Feger et al. .... D99/28
- D327,877 S \* 7/1992 Martin ..... D18/4.6
- D342,944 S 1/1994 Rhodes
- D356,074 S \* 3/1995 Coblenz et al. .... D14/457
- D377,167 S \* 1/1997 High et al. .... D14/387
- D379,825 S \* 6/1997 Droege et al. .... D18/4.6
- D381,675 S \* 7/1997 Droege et al. .... D18/4.6
- D393,527 S \* 4/1998 Ohki et al. .... D99/28

- 5,905,546 A 5/1999 Giulie et al.
- D411,753 S \* 6/1999 Jobin ..... D99/43
- D413,868 S \* 9/1999 Hesselbach ..... D14/387
- D414,163 S \* 9/1999 Hesselbach ..... D14/387
- D453,519 S 2/2002 Schmidt
- D453,764 S \* 2/2002 Linyear et al. .... D14/455
- D454,421 S \* 3/2002 Jeon et al. .... D99/28
- 6,356,439 B1 3/2002 Schmidt
- D455,889 S 4/2002 Jobin
- D457,359 S 5/2002 Chan
- D493,176 S 7/2004 O'Connor
- D505,240 S \* 5/2005 Swaine et al. .... D99/28
- D520,228 S 5/2006 Conforti
- D525,410 S 7/2006 Colley
- D530,719 S 10/2006 Roubanis
- D554,694 S \* 11/2007 Slinckx ..... D18/4.4
- 2004/0206645 A1 10/2004 Roubanis

\* cited by examiner

*Primary Examiner*—Robert M Spear

*Assistant Examiner*—Susan E Krakower

(74) *Attorney, Agent, or Firm*—Harness, Dickey & Pierce,  
P.L.C.

(57) **CLAIM**

The ornamental design for a keyboard with integrated sight shield, as shown and described.

**DESCRIPTION**

FIG. 1 is a perspective view of a keyboard with integrated sight shield, as viewed from the top, front and right side, embodying my new design;

FIG. 2 is a top view thereof;

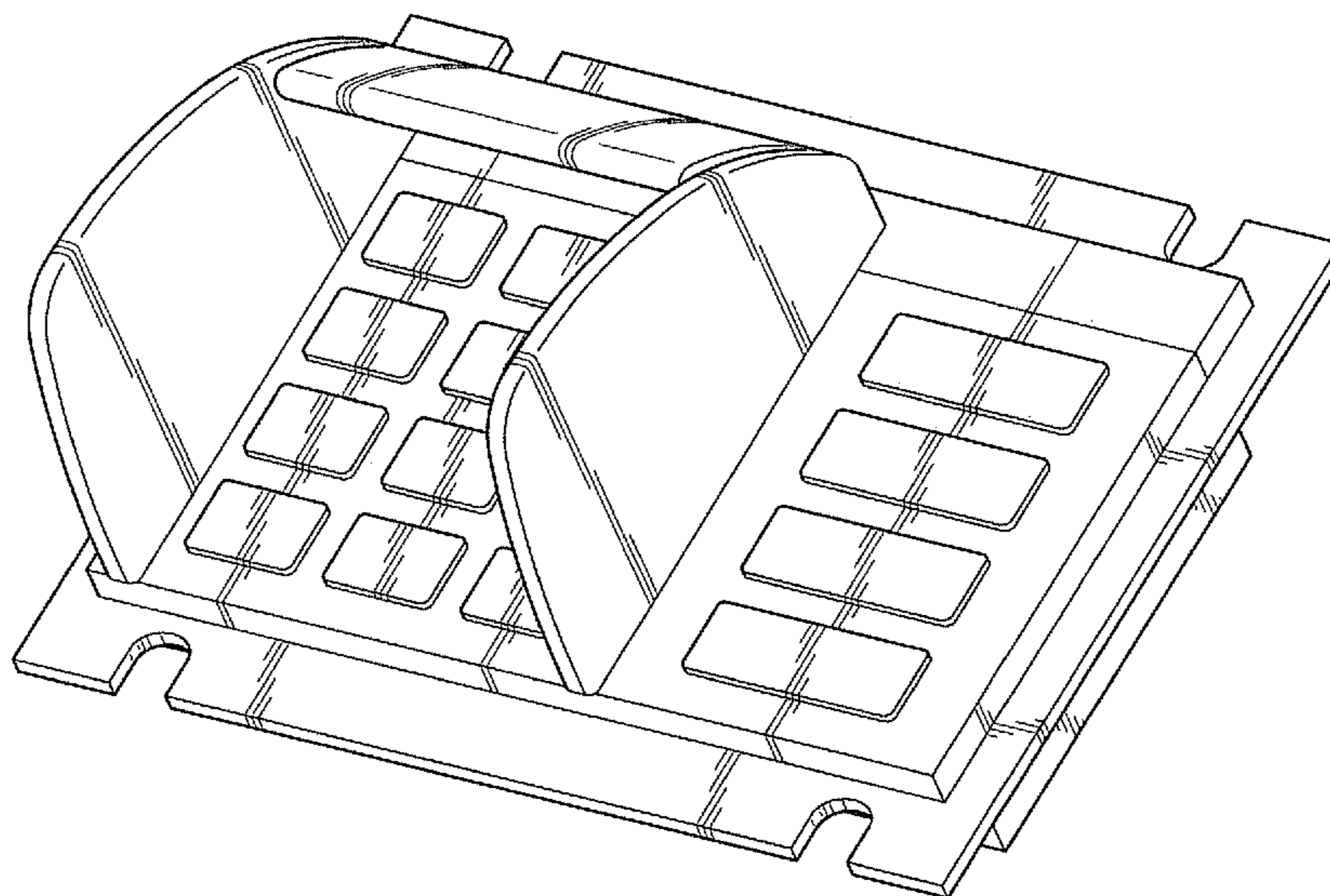
FIG. 3 is a left side view thereof;

FIG. 4 is a right side view thereof;

FIG. 5 is a rear view thereof; and,

FIG. 6 is a front view thereof.

**1 Claim, 3 Drawing Sheets**



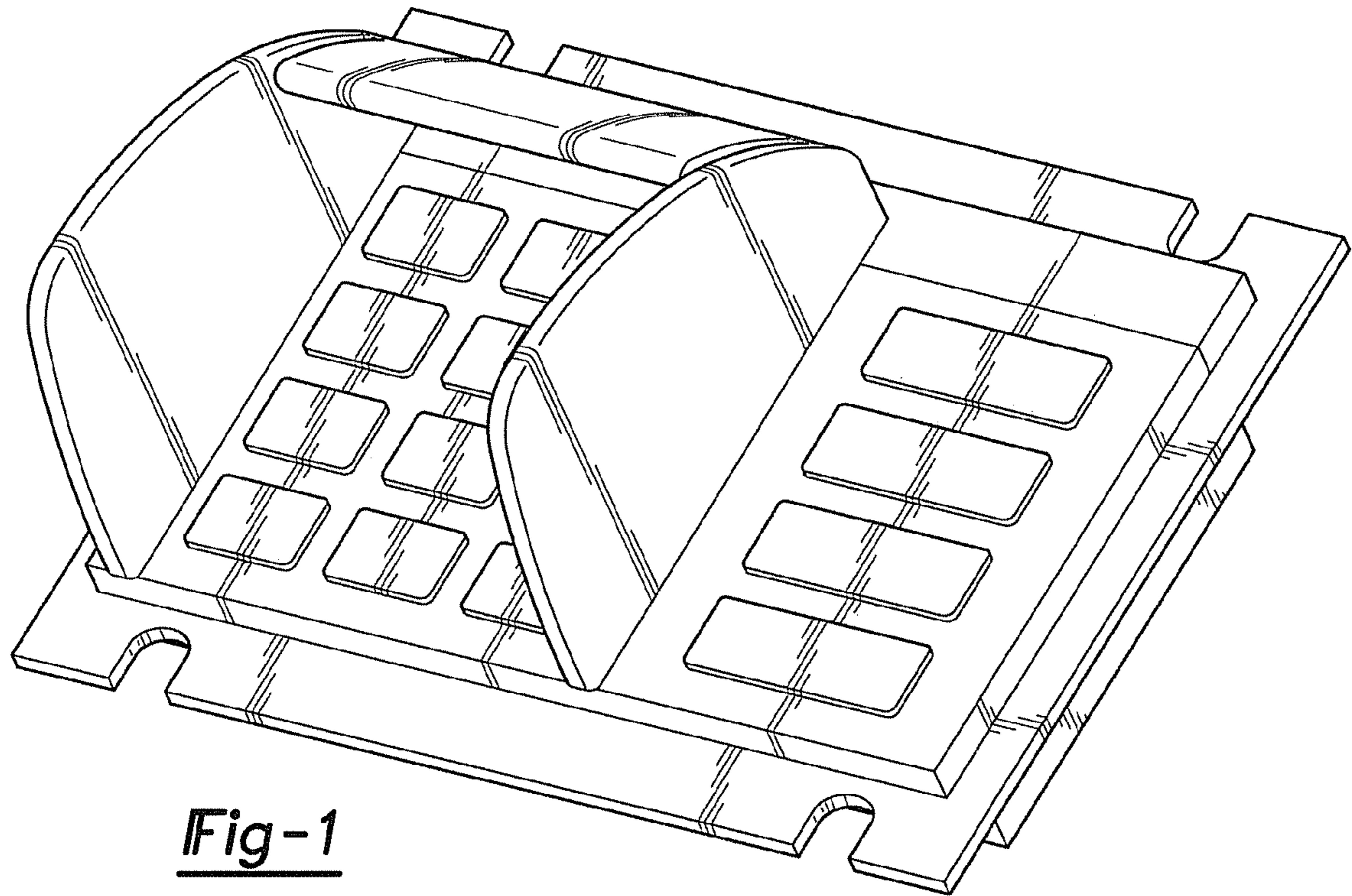


Fig-1

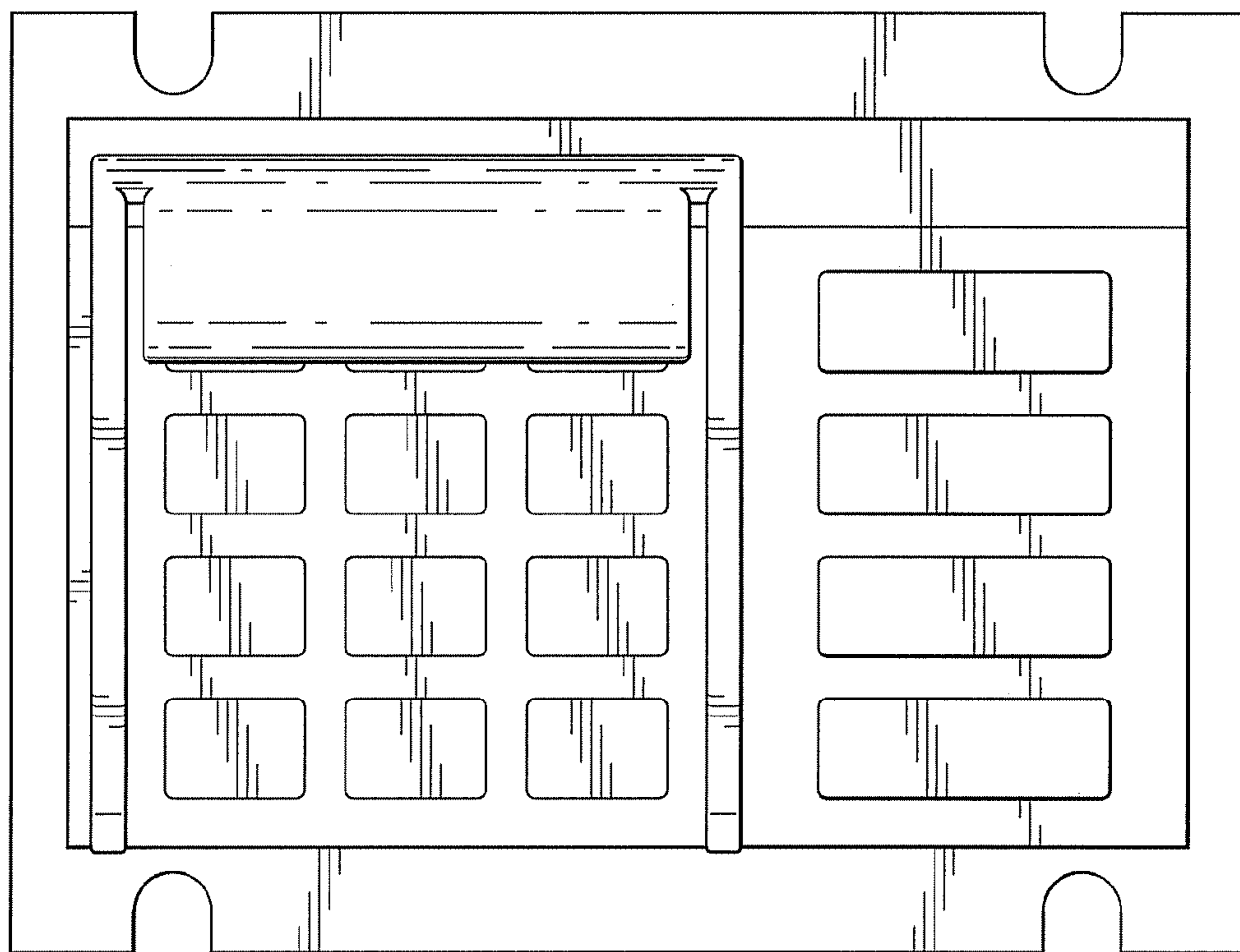


Fig-2

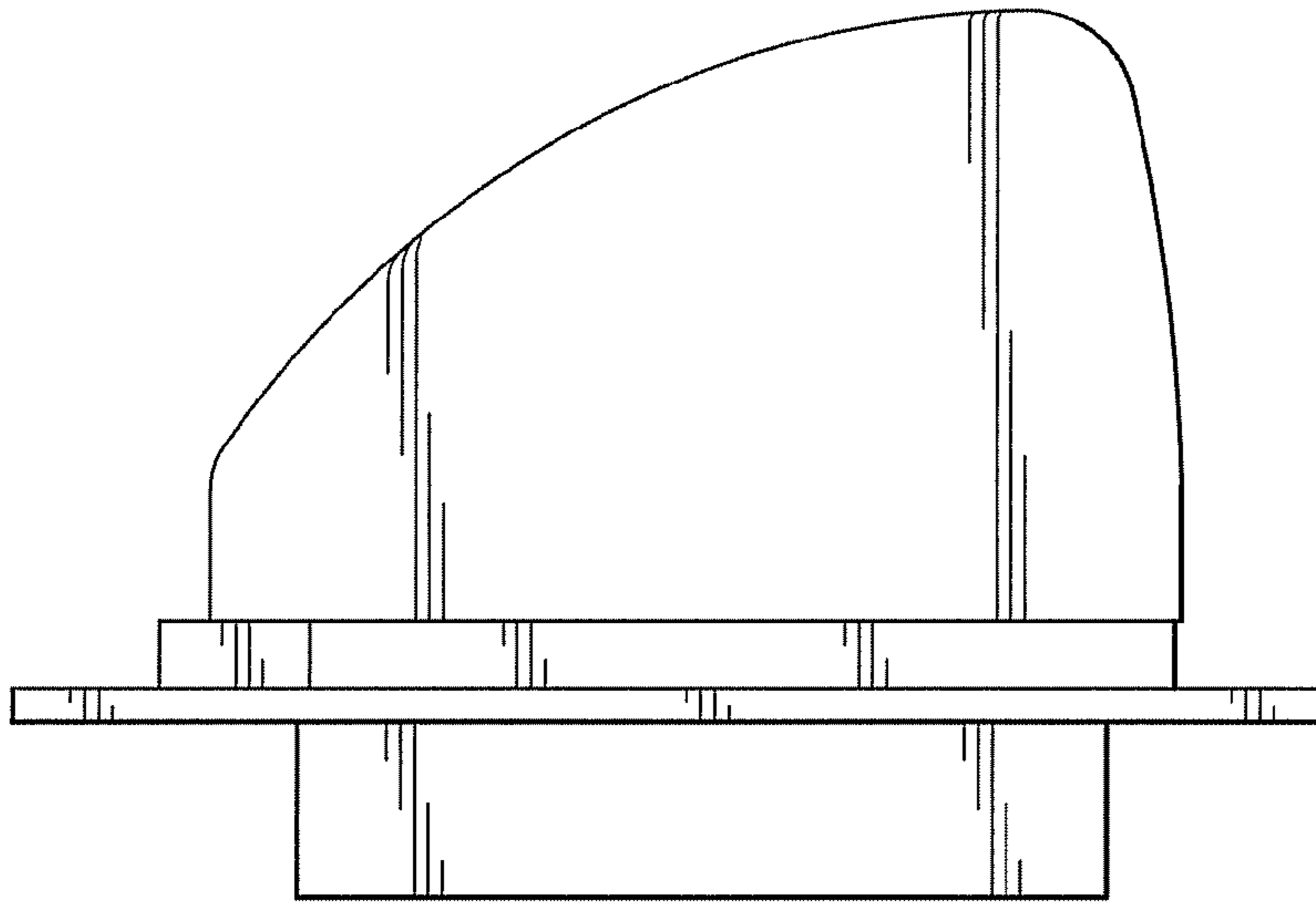


Fig-3

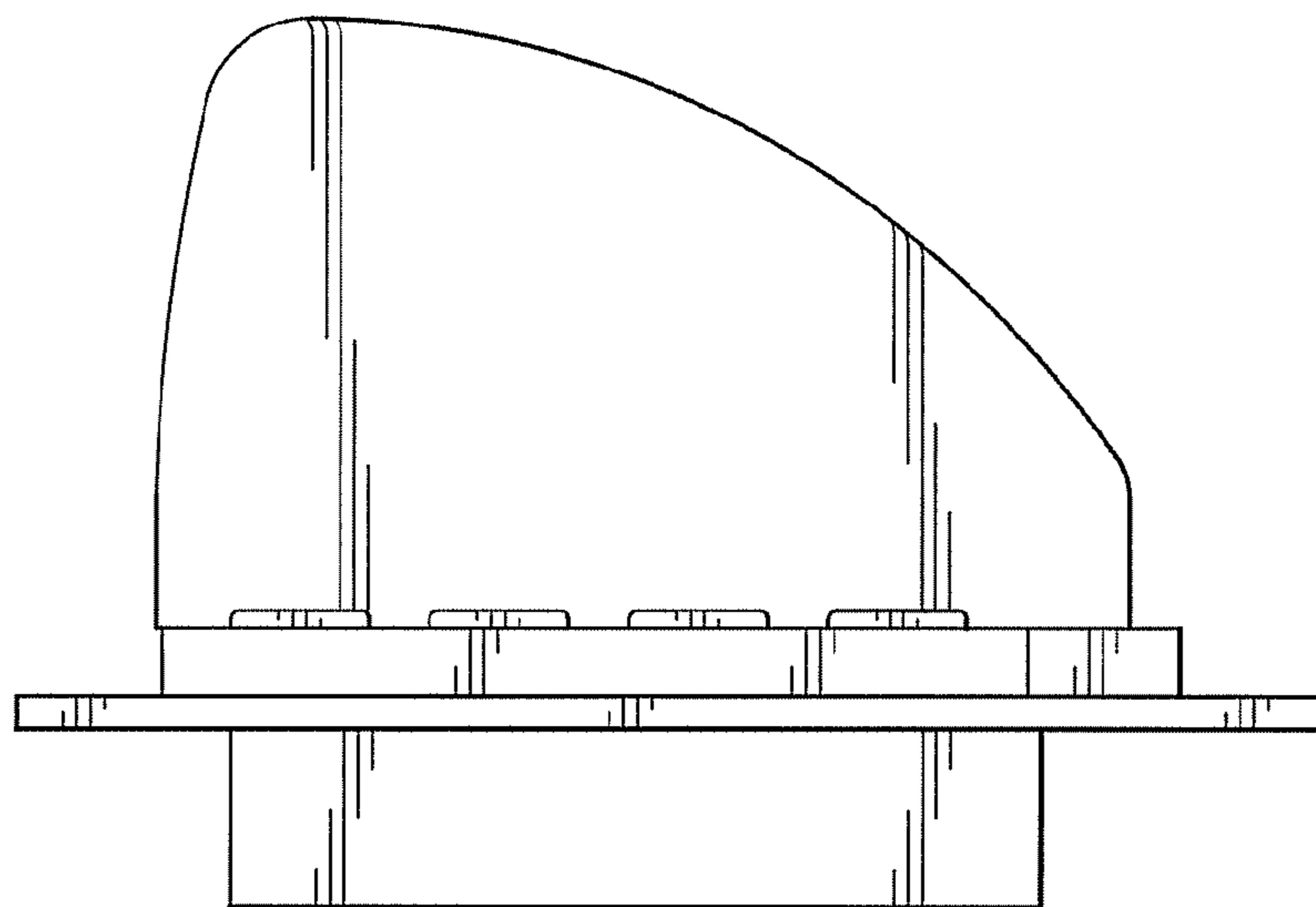


Fig-4

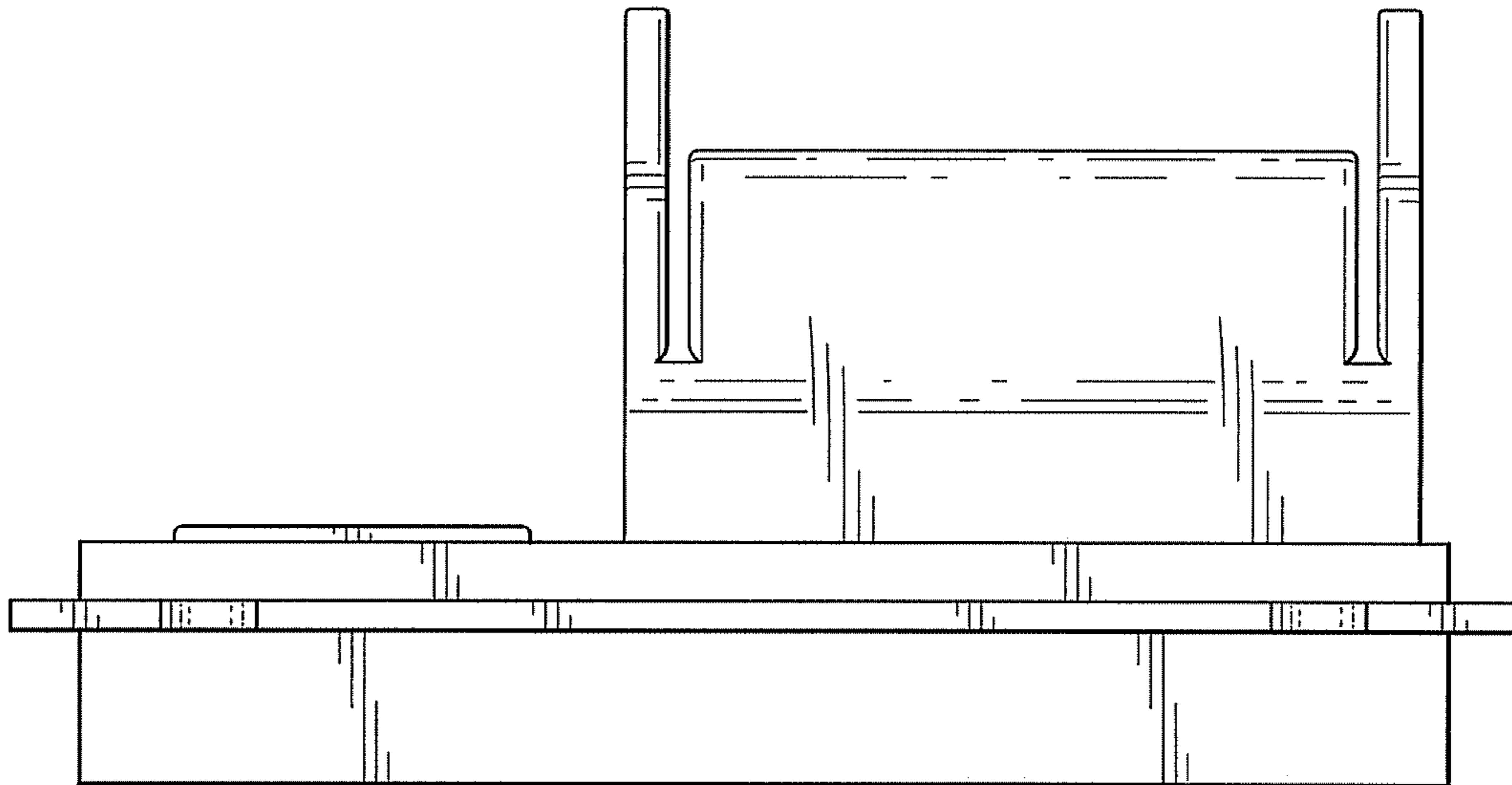


Fig-5

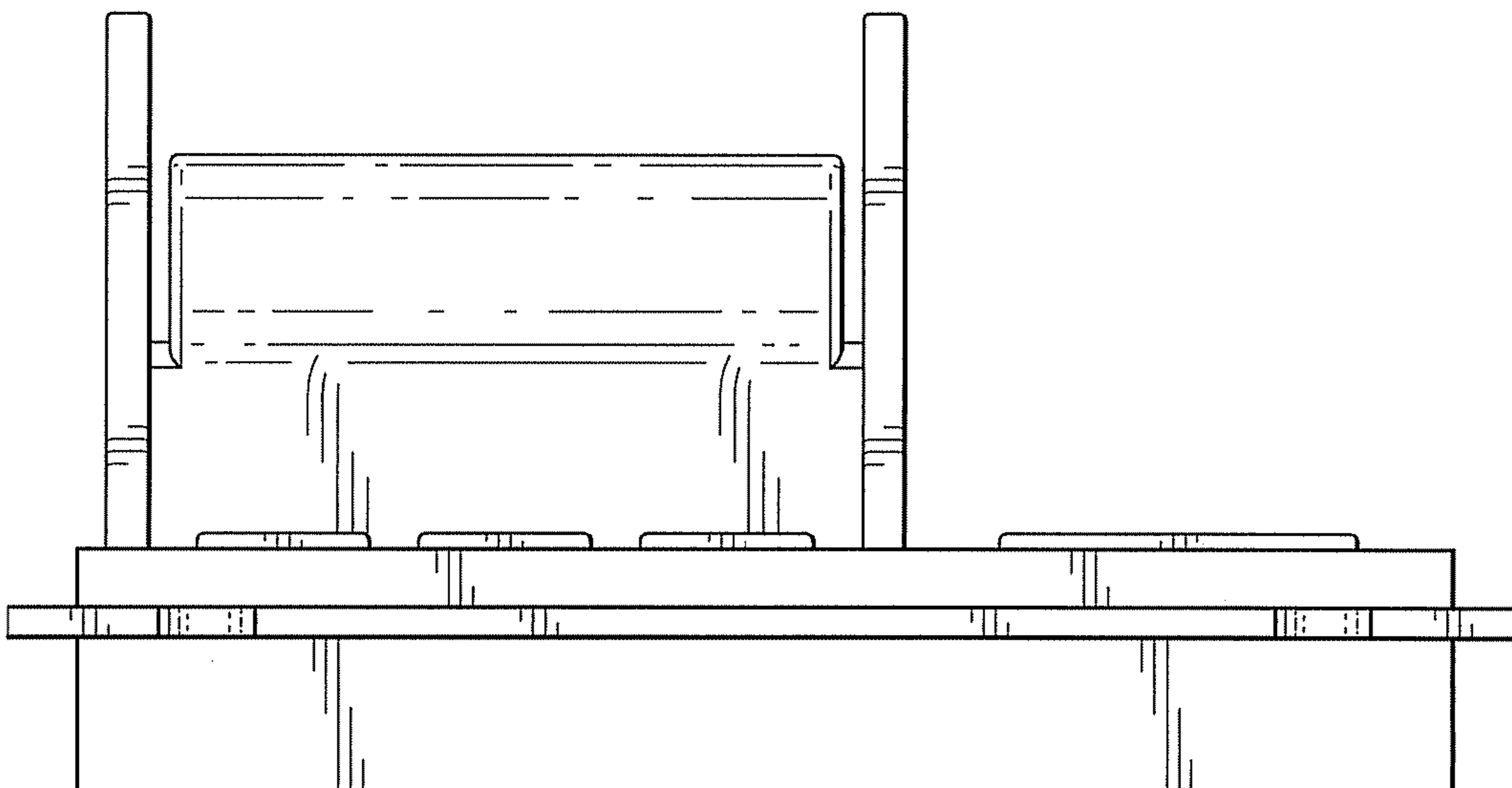


Fig-6