



US00D590574S

(12) **United States Design Patent**
Pawlik

(10) **Patent No.:** **US D590,574 S**

(45) **Date of Patent:** **** Apr. 14, 2009**

(54) **TWIN TOWERS CROSS STATUE**

(76) Inventor: **Kazimierz Pawlik**, 3272 Harvard Pl.,
Bethlehem, PA (US) 18020-7602

(**) Term: **14 Years**

(21) Appl. No.: **29/301,673**

(22) Filed: **Mar. 12, 2008**

(51) **LOC (9) Cl.** **11-02**

(52) **U.S. Cl.** **D99/27; D11/96; D11/157**

(58) **Field of Classification Search** D99/17,
D99/25-27; D11/81, 96, 122, 125, 131,
D11/157, 160-161, 163; D19/96-97; D20/41;
235/123; 428/3; 434/246; 312/33; 40/409-410;
248/346.03, 473; 206/19

See application file for complete search history.

(56) **References Cited**

U.S. PATENT DOCUMENTS

D133,983	S	*	10/1942	Cruise et al.	D11/157
2,355,154	A	*	8/1944	Goudreau	428/3
D207,492	S	*	4/1967	Johnson	D99/25
D214,670	S	*	7/1969	Stottrup	D11/131
D256,398	S	*	8/1980	Mitchell	D99/25
D271,673	S	*	12/1983	Vick	D11/96
D365,781	S	*	1/1996	Osborn	D11/96
D408,318	S	*	4/1999	Zuzul	D11/96
D444,730	S	*	7/2001	Byers	D11/125
D563,828	S	*	3/2008	Meijer	D11/163
D578,275	S	*	10/2008	Shantz et al.	D99/17

* cited by examiner

Primary Examiner—Robert M Spear
Assistant Examiner—Susan E Krakower

(57) **CLAIM**

The ornamental design for a twin towers cross statue, as shown and described.

DESCRIPTION

FIG. 1 is a front perspective view of a first embodiment of a twin towers cross statue.

FIG. 2 is a front elevational view of the first embodiment; the rear elevational view is a mirror image of the front elevational view.

FIG. 3 is a left side elevational view of the first embodiment; the right side elevational view is a mirror image of the left side elevational view.

FIG. 4 is a top plan view of the first embodiment.

FIG. 5 is a bottom plan view of the first embodiment.

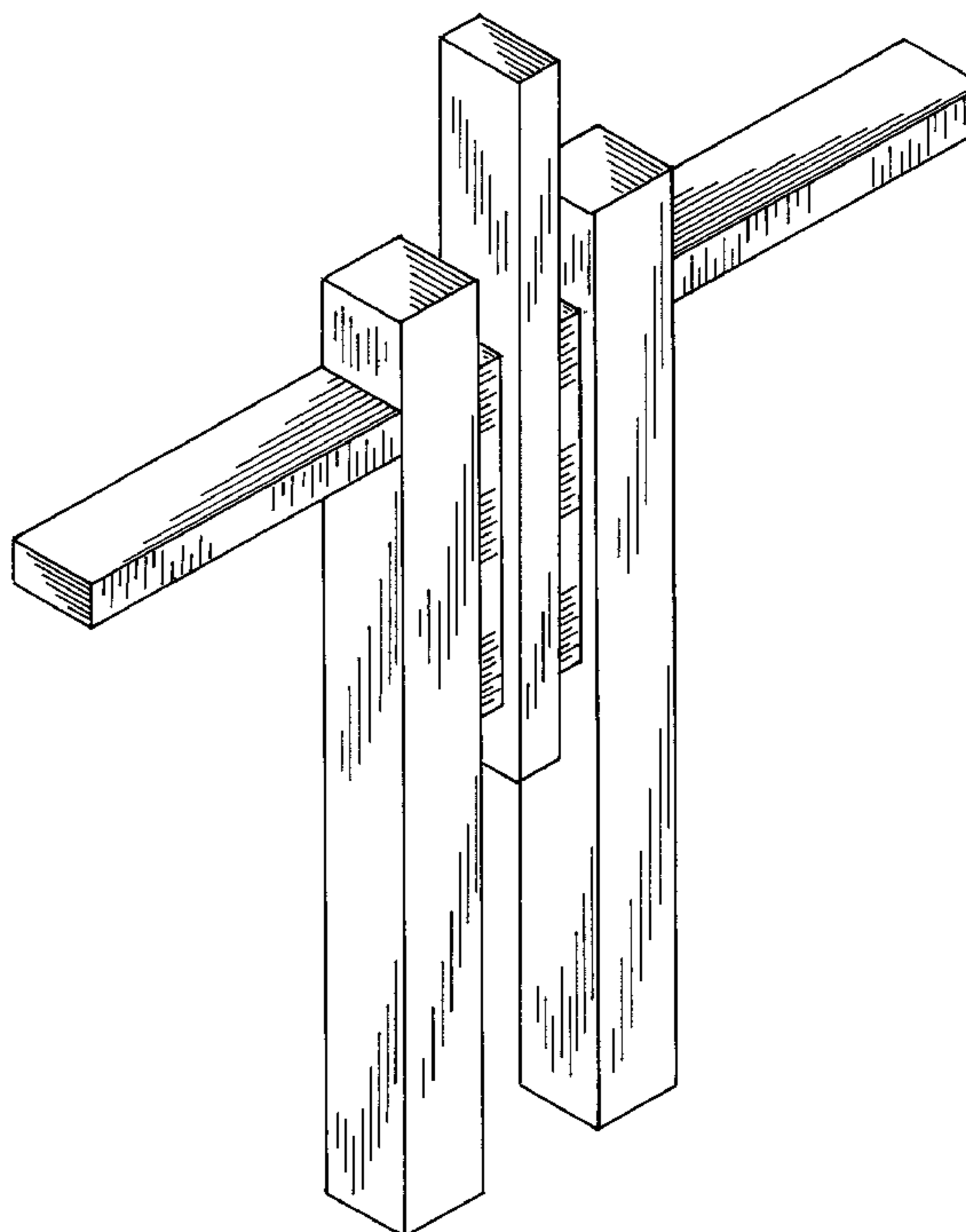
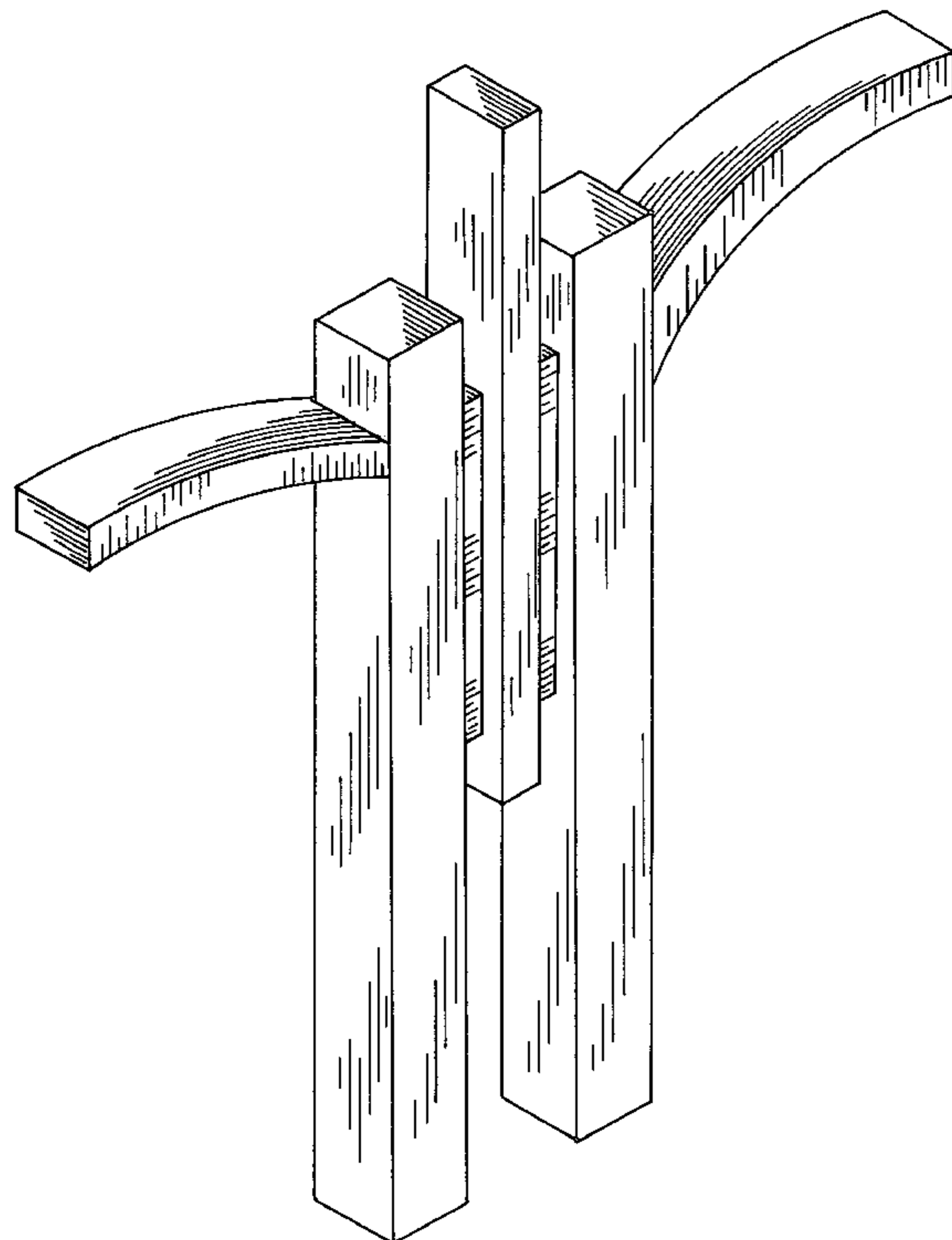
FIG. 6 is a front perspective view of a second embodiment of a twin towers cross statue.

FIG. 7 is a front elevational view of the second embodiment; the rear elevational view is a mirror image of the front elevational view; and,

FIG. 8 is a left side elevational view of the second embodiment; the right side elevational view is a mirror image of the left side elevational view.

The top and bottom views are identical to the respective views of the first embodiment.

1 Claim, 4 Drawing Sheets



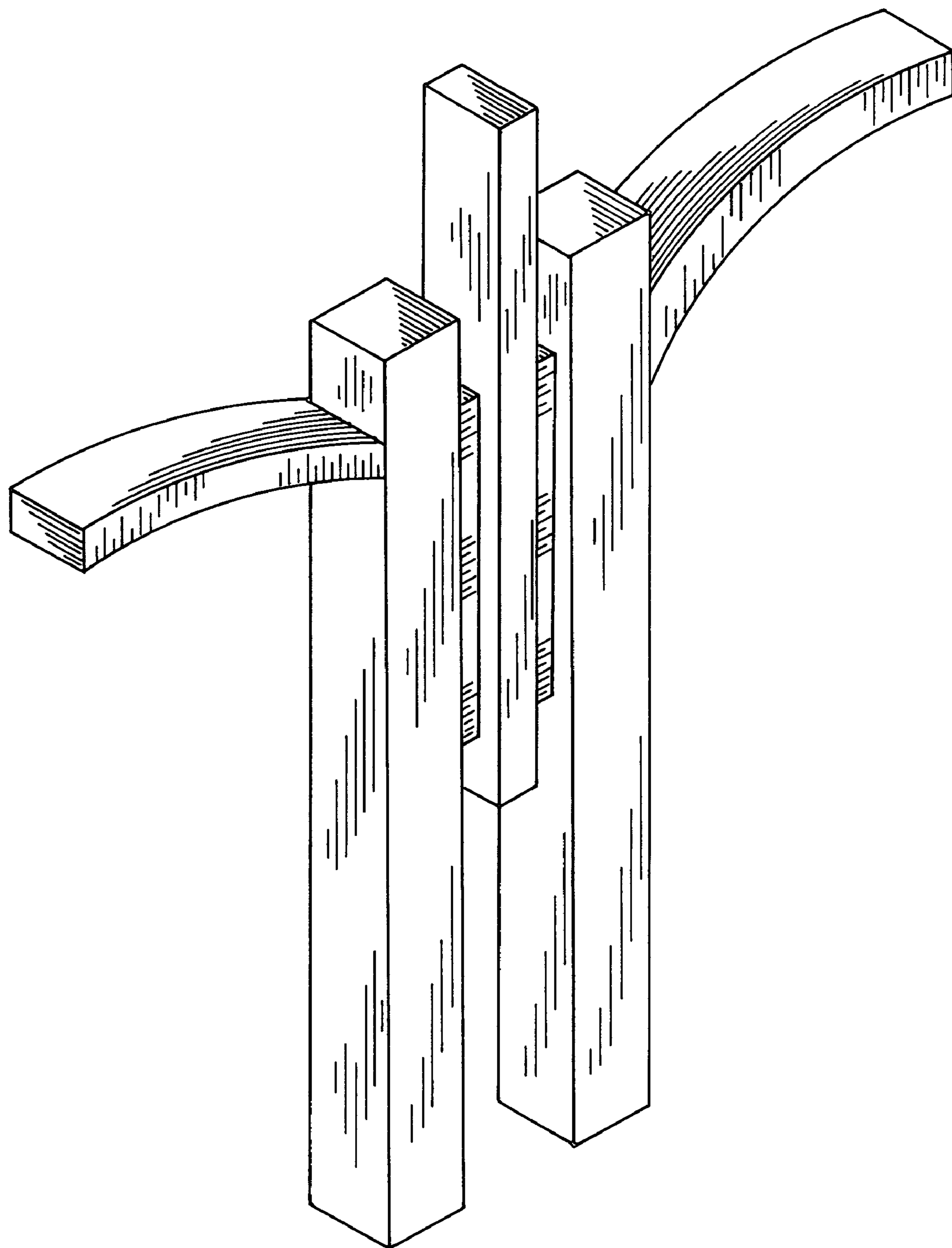


FIG. 1

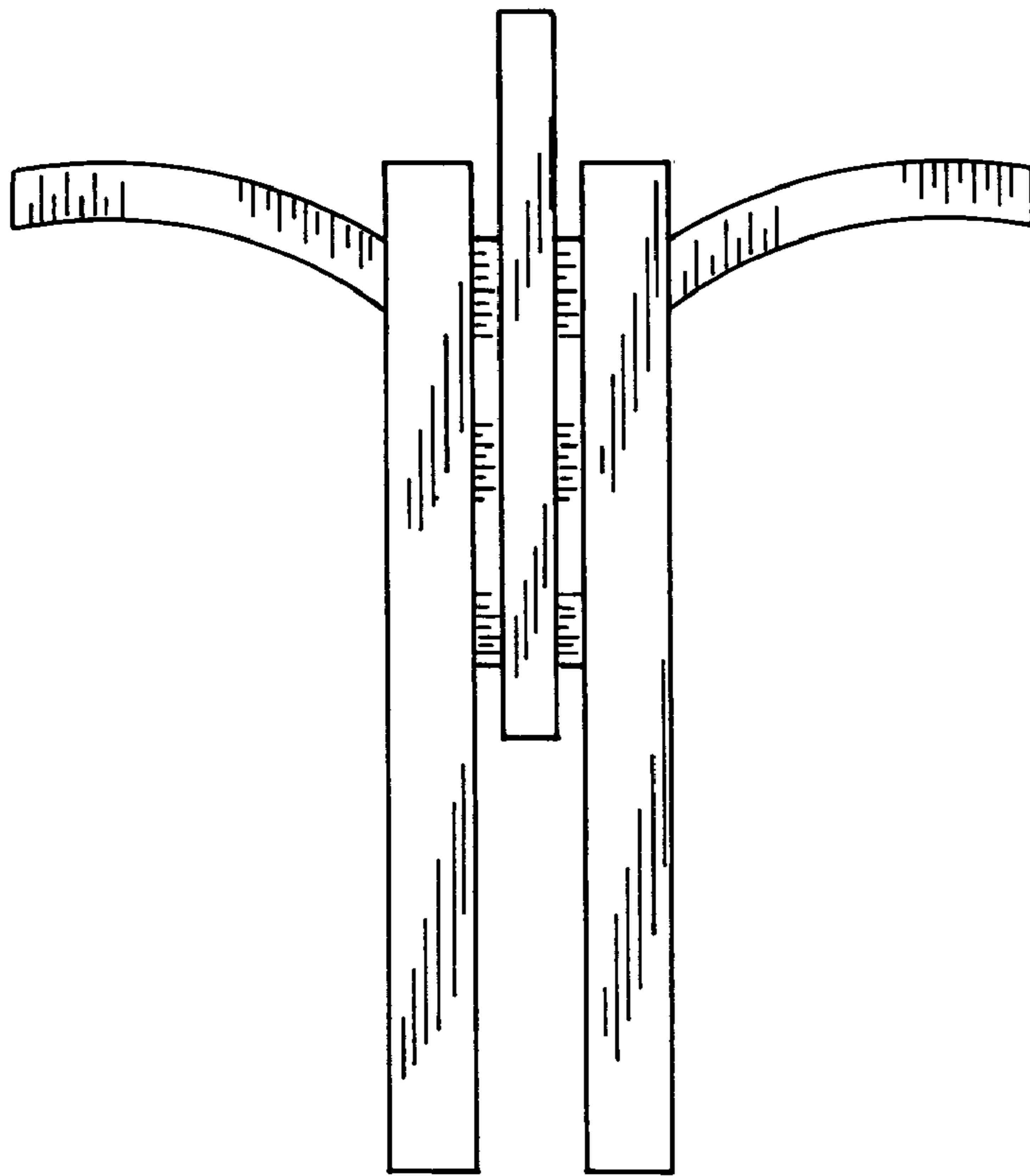


FIG. 2



FIG. 3



FIG. 4



FIG. 5

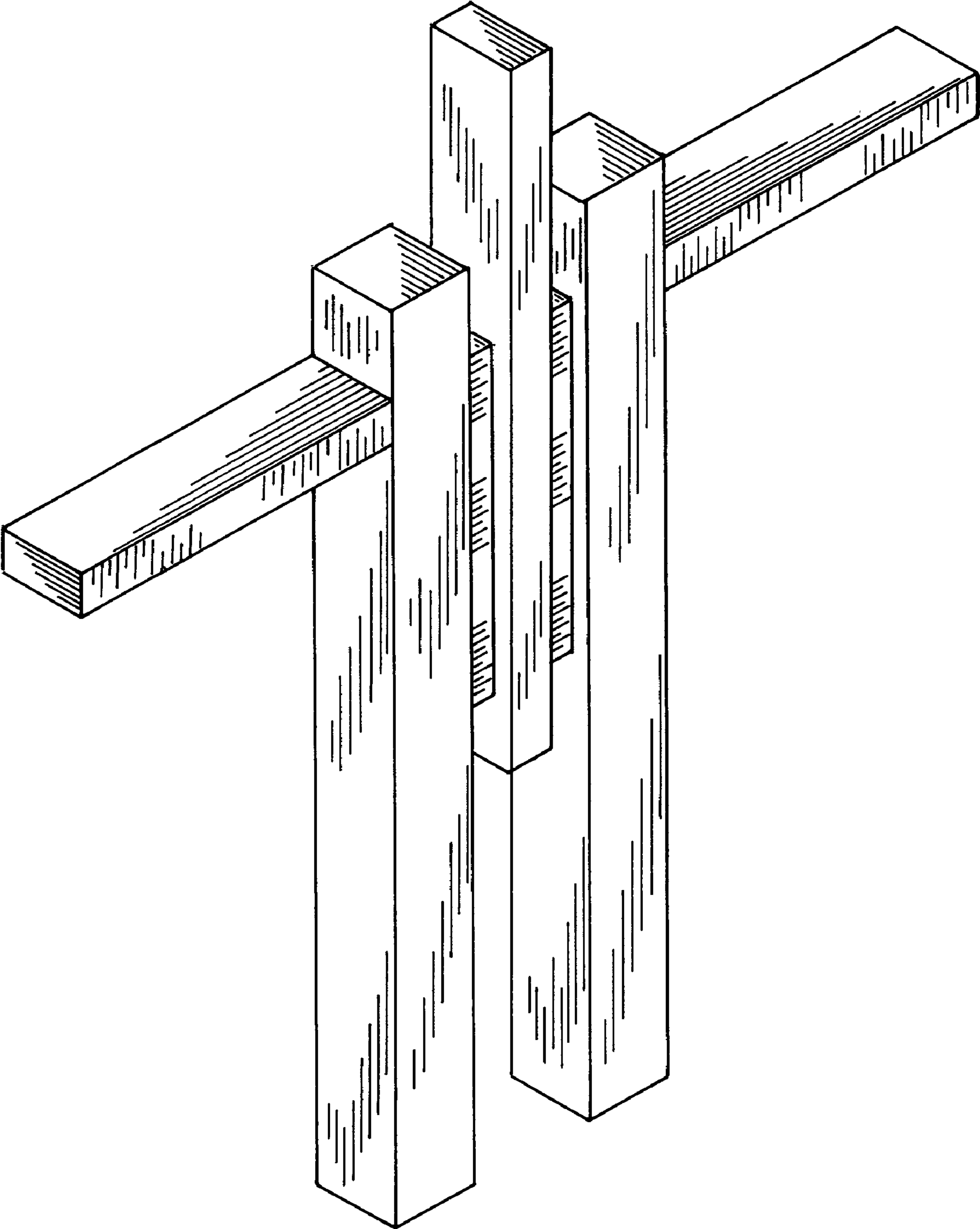


FIG. 6

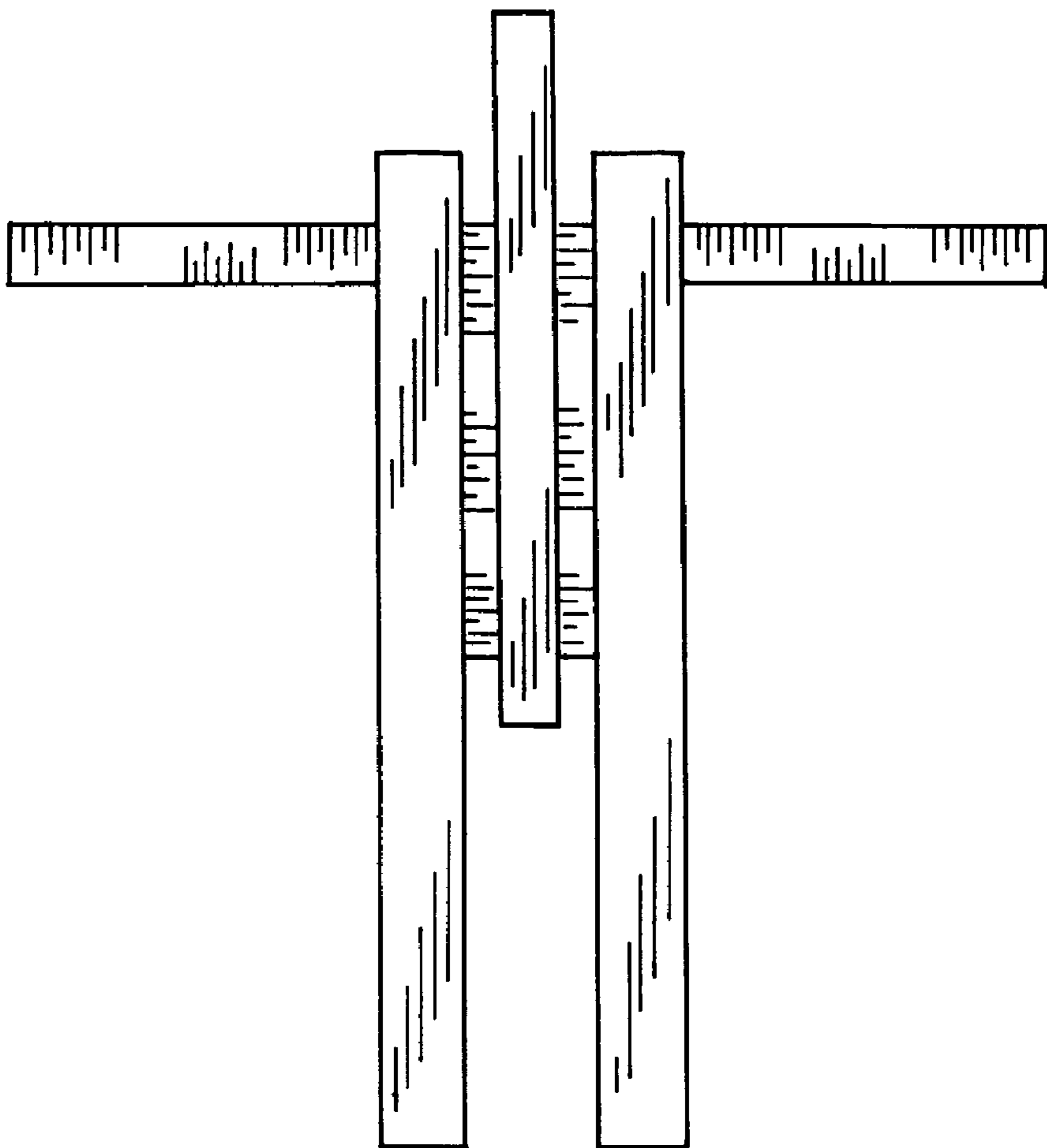


FIG. 7



FIG. 8