



US00D590572S

(12) **United States Design Patent**
Hermans

(10) **Patent No.:** **US D590,572 S**

(45) **Date of Patent:** **** Apr. 14, 2009**

(54) **SQUARE PLINTH**

(76) **Inventor:** **Ty Gerard Hermans**, 359 MacDonnell Road, Clontarf, Queensland (AU) 4019

(**) **Term:** **14 Years**

(21) **Appl. No.:** **29/298,631**

(22) **Filed:** **Dec. 10, 2007**

(30) **Foreign Application Priority Data**

Aug. 24, 2007 (AU) 200719518

(51) **LOC (9) Cl.** **09-08**

(52) **U.S. Cl.** **D34/38**

(58) **Field of Classification Search** D34/38;
108/51.3, 52.1, 53.1, 53.3, 51.11; 254/88,
254/94; 248/346.02; 206/386; D25/199;
D32/55-57; D14/447

See application file for complete search history.

(56) **References Cited**

U.S. PATENT DOCUMENTS

- 3,699,901 A * 10/1972 Cook, III 108/57.25
- 3,707,127 A * 12/1972 Palfey 108/53.3
- D225,841 S * 1/1973 Skendrovic D34/38
- D228,896 S * 10/1973 Melnick et al. D34/38
- D229,042 S * 11/1973 Melnick D34/38
- D231,096 S * 4/1974 Adam D34/38
- D236,603 S * 9/1975 Melnick et al. D34/38
- 4,562,718 A * 1/1986 Dunk 72/349
- D295,568 S * 5/1988 Rothwell et al. D34/38
- 5,749,555 A * 5/1998 Albrecht 248/346.01
- D404,180 S * 1/1999 Apps et al. D34/38
- D417,765 S * 12/1999 Morello D34/38

- D434,509 S * 11/2000 Oliver et al. D25/199
- 6,234,088 B1 * 5/2001 Bredal et al. 108/91
- D459,050 S * 6/2002 Meyer D34/38
- 6,584,914 B1 * 7/2003 Koefeldal 108/54.1
- 6,719,164 B2 * 4/2004 Maschio 220/571
- D489,981 S * 5/2004 Kuipers D9/456
- D499,574 S * 12/2004 Spicer D6/406.3
- D508,300 S * 8/2005 O'Dell et al. D34/38
- D531,027 S * 10/2006 Ramirez et al. D9/435
- D531,378 S * 10/2006 Angel et al. D34/31
- D554,825 S * 11/2007 Lux, Jr. et al. D34/38
- D571,486 S * 6/2008 Miller et al. D25/133

* cited by examiner

Primary Examiner—Cynthia E Ramirez

(74) *Attorney, Agent, or Firm*—Abelman, Frayne & Schwab

(57) **CLAIM**

The ornamental design for a square plinth, as shown and described.

DESCRIPTION

FIG. 1 is a top front right side perspective view of a square plinth showing my new design.

FIG. 2 is a bottom front right side perspective view thereof.

FIG. 3 is a top plan view thereof.

FIG. 4 is a bottom plan view thereof.

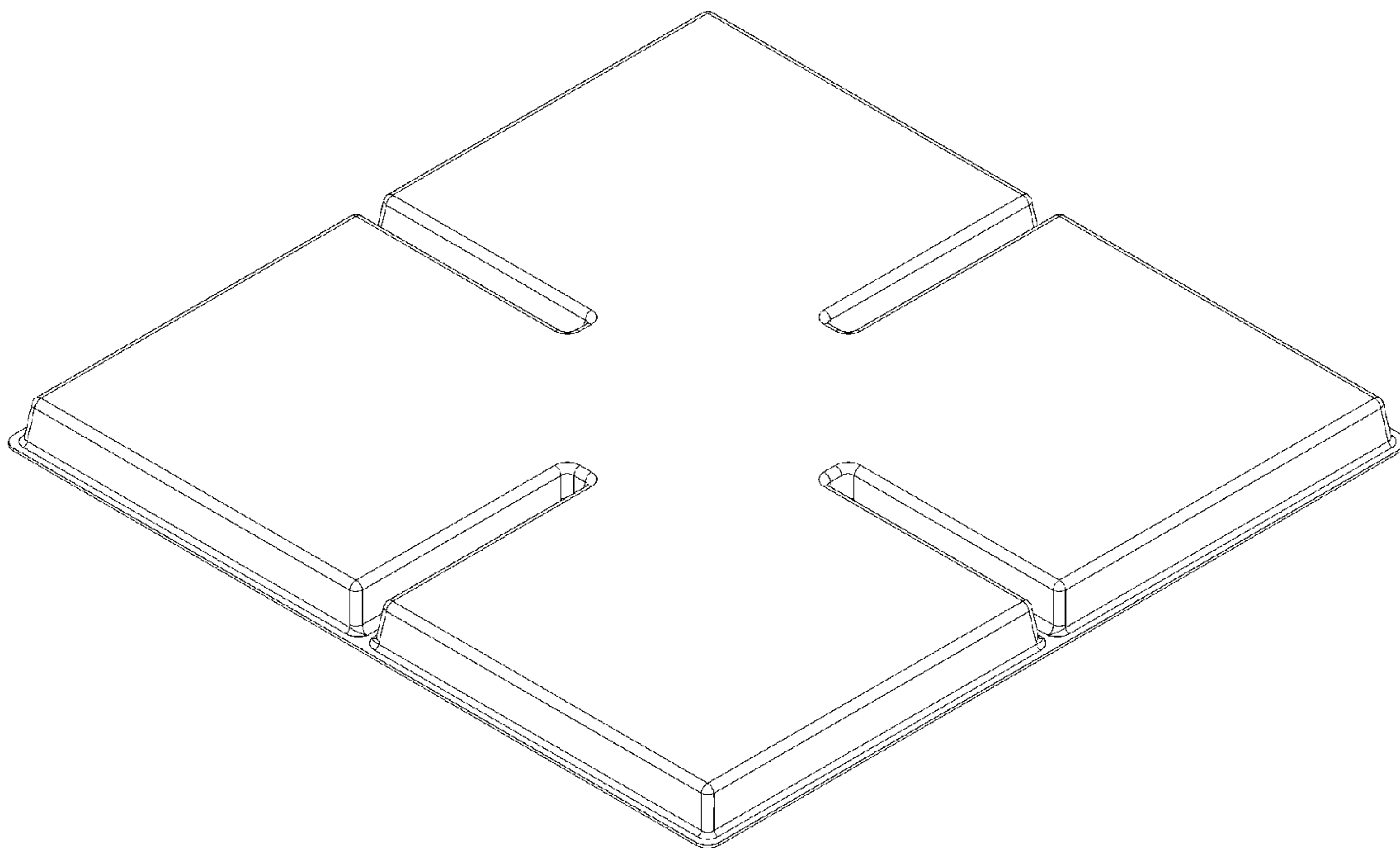
FIG. 5 is a right side elevational view thereof.

FIG. 6 is a left side elevational view thereof.

FIG. 7 is a front elevational view thereof; and,

FIG. 8 is a rear elevational view thereof.

1 Claim, 5 Drawing Sheets



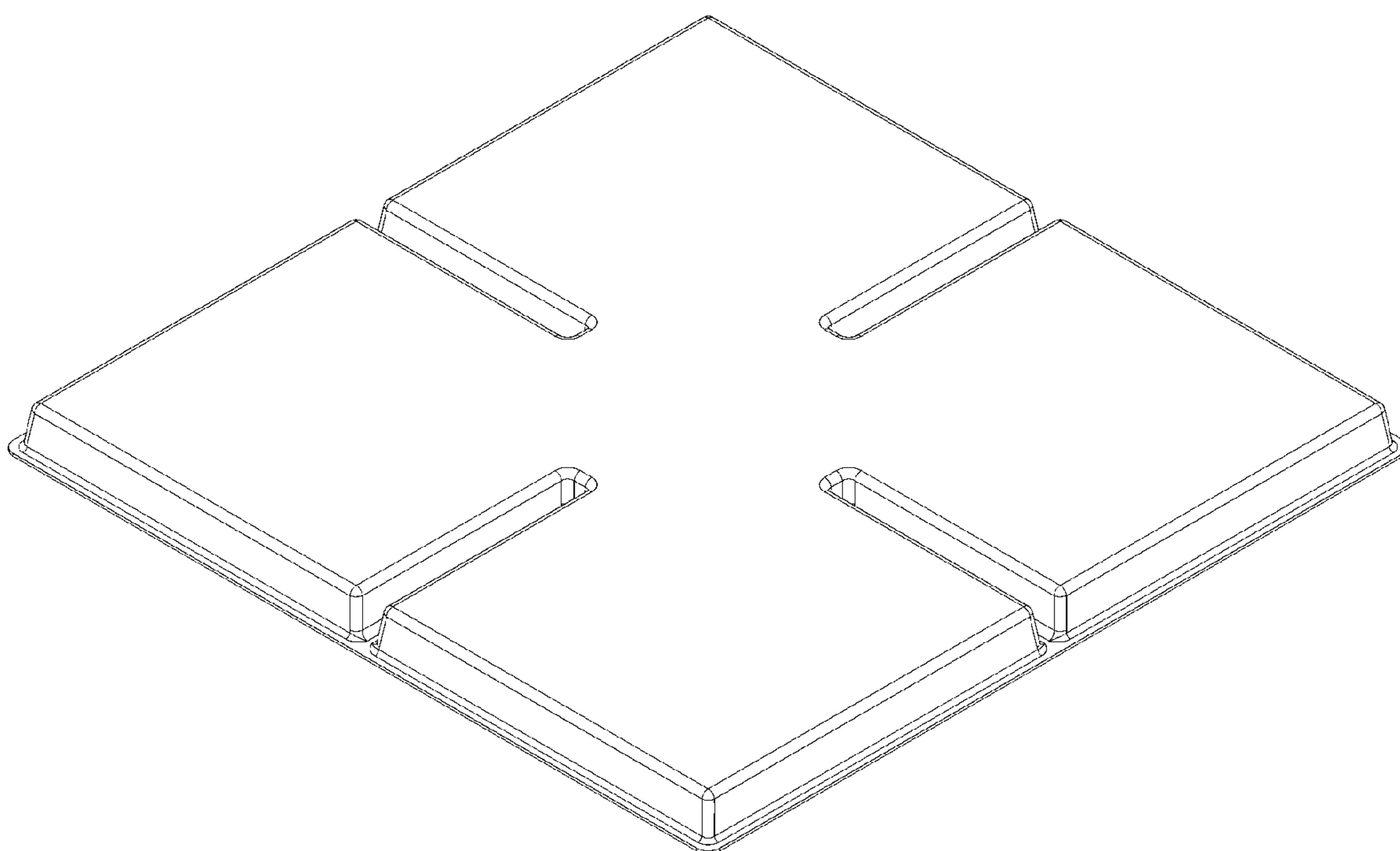


FIG. 1

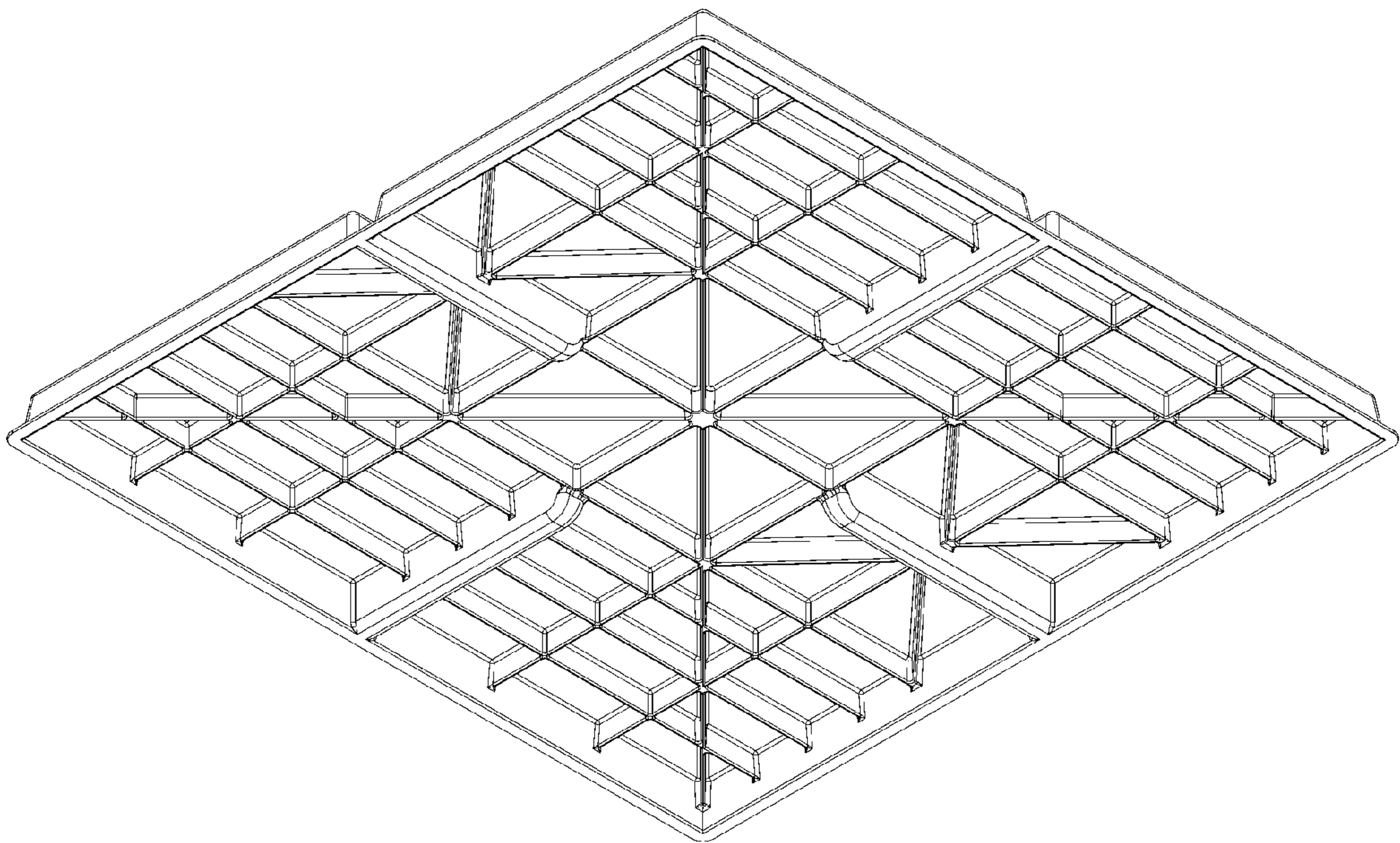


FIG. 2

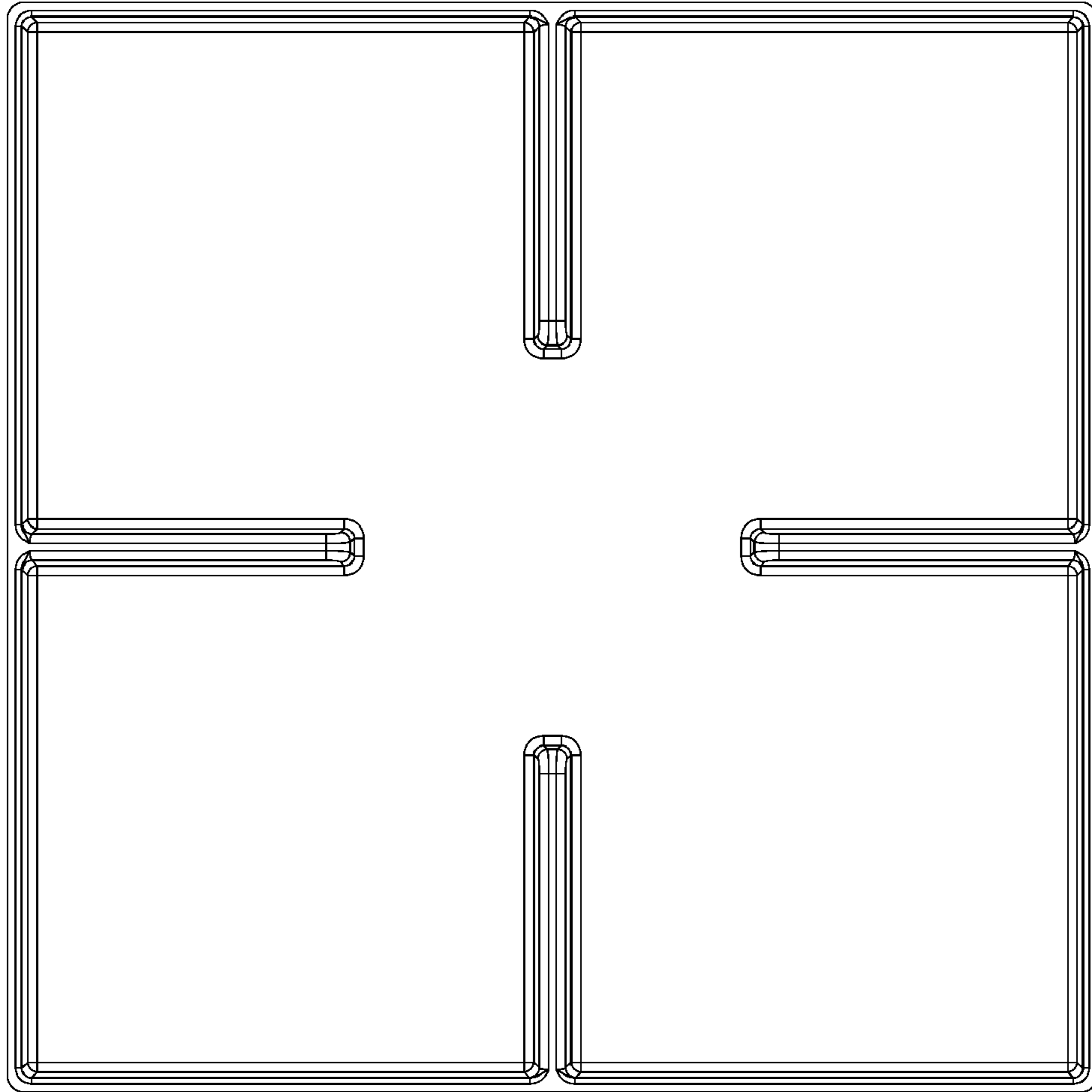


FIG. 3

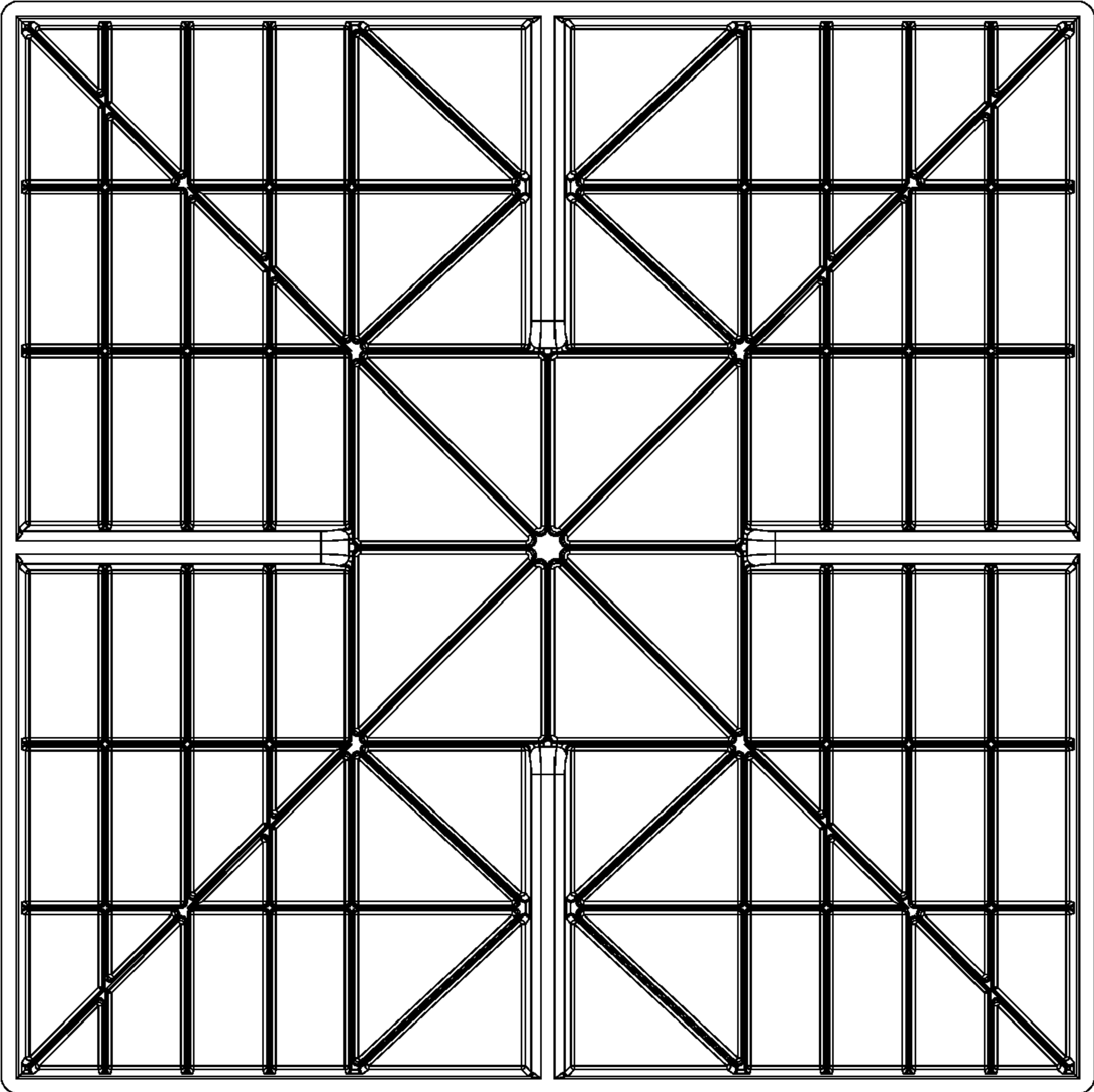


FIG. 4

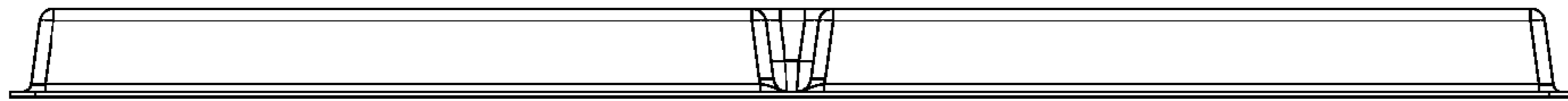


FIG. 5



FIG. 6



FIG. 7

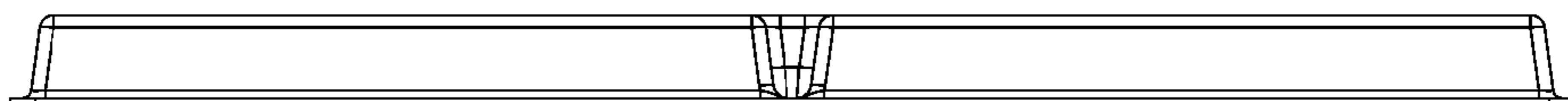


FIG. 8