



US00D590571S

(12) **United States Design Patent**
Klingler et al.

(10) **Patent No.:** **US D590,571 S**

(45) **Date of Patent:** **** Apr. 14, 2009**

(54) **ELEVATOR BRAKE**

(75) Inventors: **Guenther Klingler**, Oberostendorf (DE); **Harald Weiss**, Stöttwang (DE); **Johann Eberle**, Irsee (DE); **Christoph Dropmann**, Kaufbeuren (DE)

(73) Assignee: **Chr. Mayr GmbH & Co., KG**, Mauerstetten (DE)

(**) Term: **14 Years**

(21) Appl. No.: **29/301,261**

(22) Filed: **Feb. 20, 2008**

Related U.S. Application Data

(62) Division of application No. 29/263,722, filed on Jul. 28, 2006, now Pat. No. Des. 574,572.

(51) **LOC (9) Cl.** **12-05**

(52) **U.S. Cl.** **D34/35**

(58) **Field of Classification Search** D34/28, D34/33, 35; 414/592; 187/351; 254/278
See application file for complete search history.

(56) **References Cited**

U.S. PATENT DOCUMENTS

2,966,996 A * 1/1961 Friend, Jr. 414/652

4,760,993 A * 8/1988 Du Preez 254/411
D356,417 S * 3/1995 Petre D34/35
6,520,299 B2 * 2/2003 Rimann et al. 188/171
6,796,548 B2 * 9/2004 Nagata et al. 254/278
2006/0151254 A1 * 7/2006 Sevilleja-Perez et al. 187/351

* cited by examiner

Primary Examiner—Cynthia E Ramirez

(74) *Attorney, Agent, or Firm*—W. Norman Roth

(57) **CLAIM**

The ornamental design for an elevator brake, as shown.

DESCRIPTION

FIG. 1 is a front elevation view showing our new design;

FIG. 2 is a rear elevation view of our new design;

FIG. 3 is a top plan view of our new design;

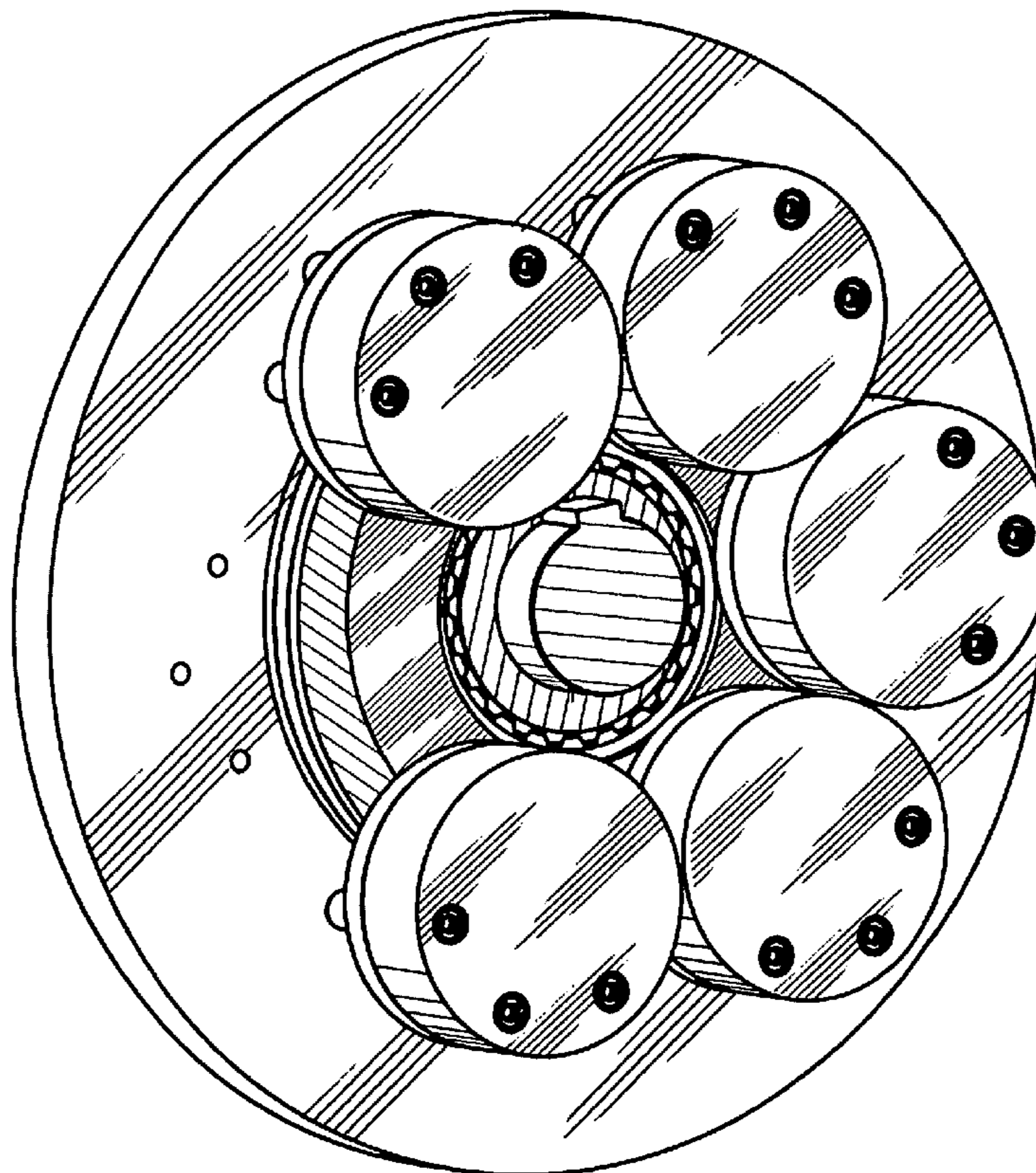
FIG. 4 is a bottom plan view of our new design;

FIG. 5 is a left side elevation view of our new design;

FIG. 6 is a right side elevation view of our new design; and,

FIG. 7 is a perspective view of our new design.

1 Claim, 7 Drawing Sheets



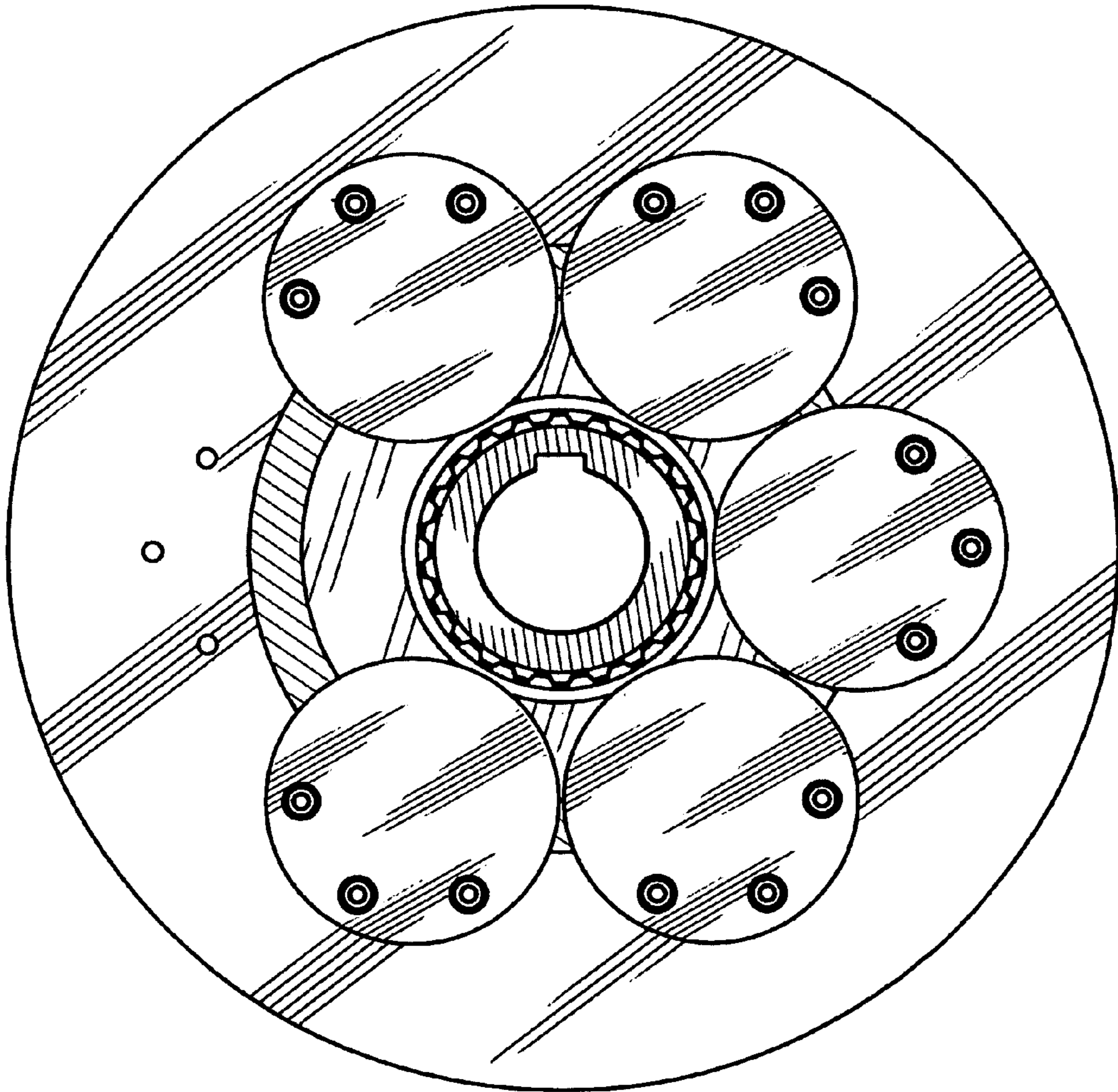


Fig. 1

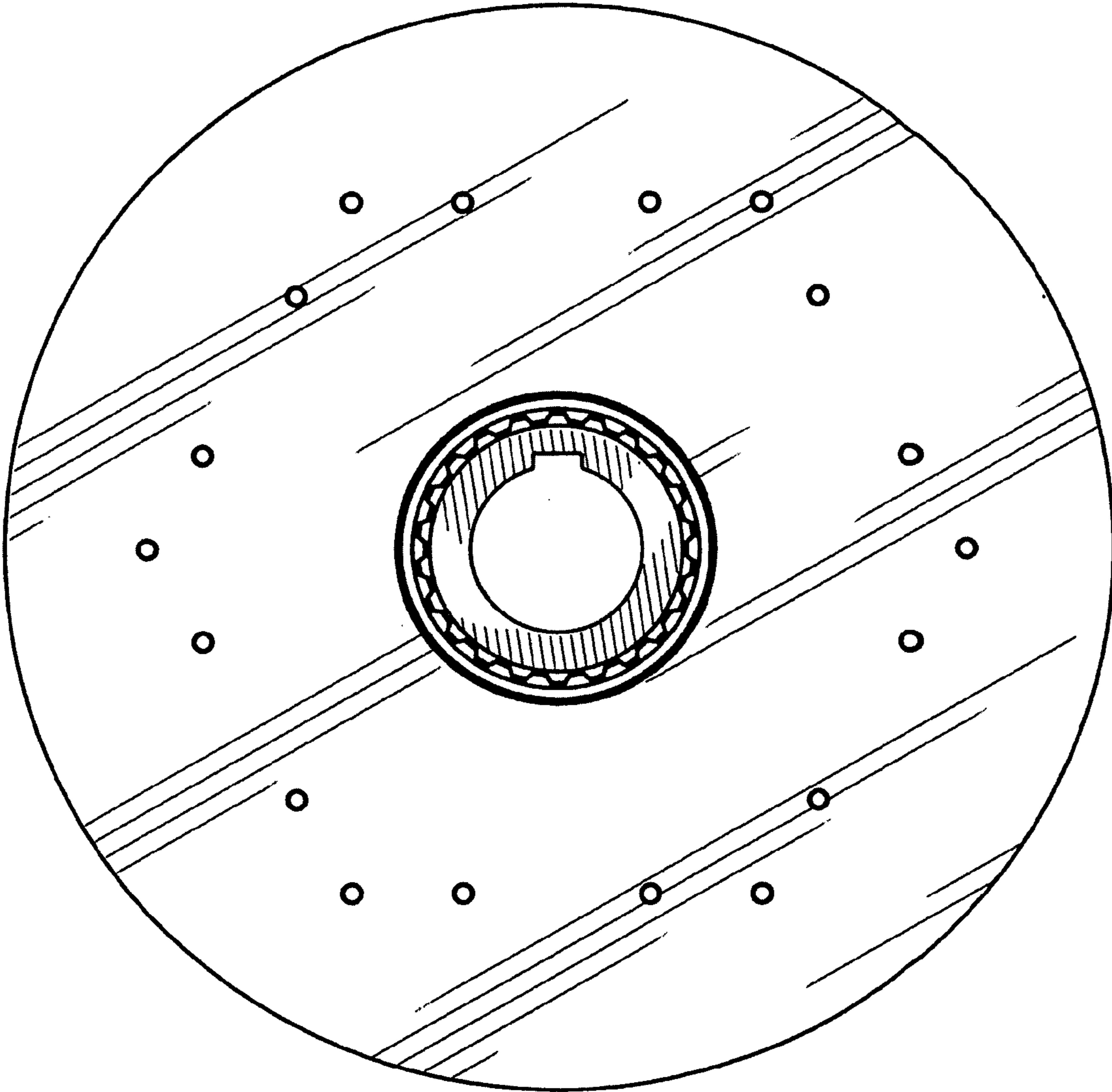


Fig. 2

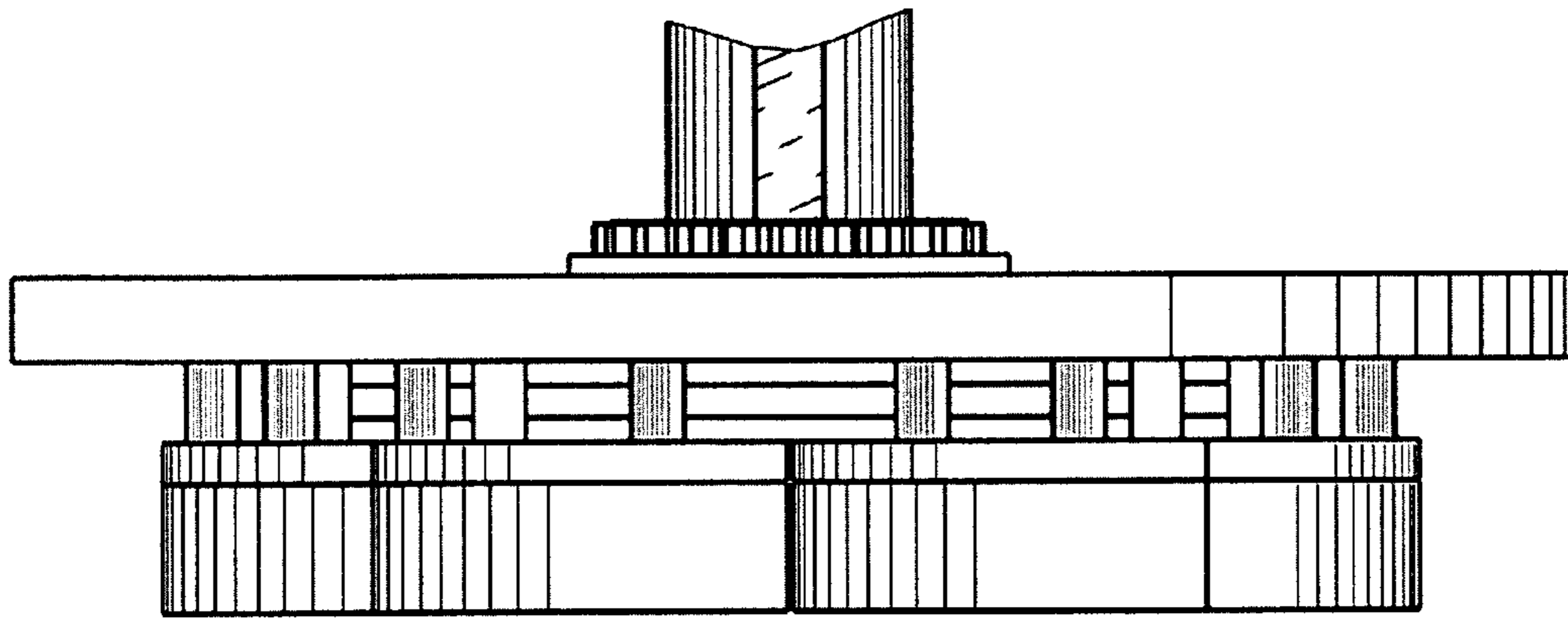


Fig. 3

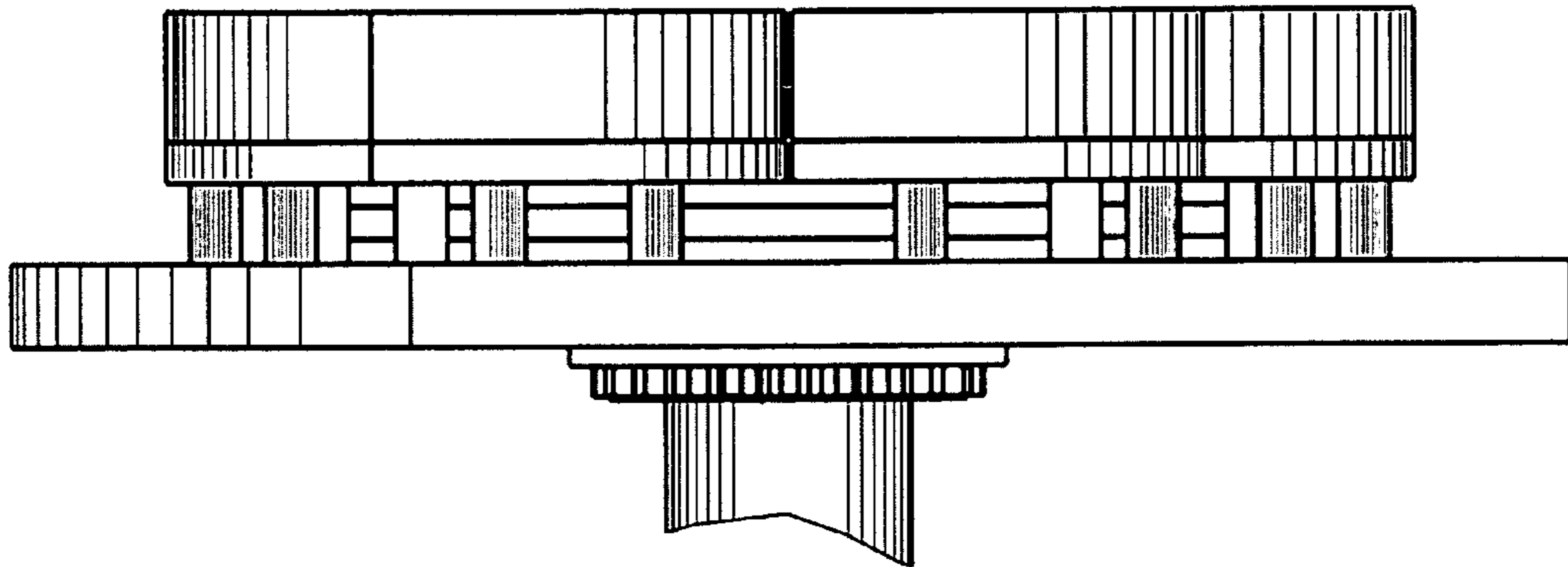


Fig. 4

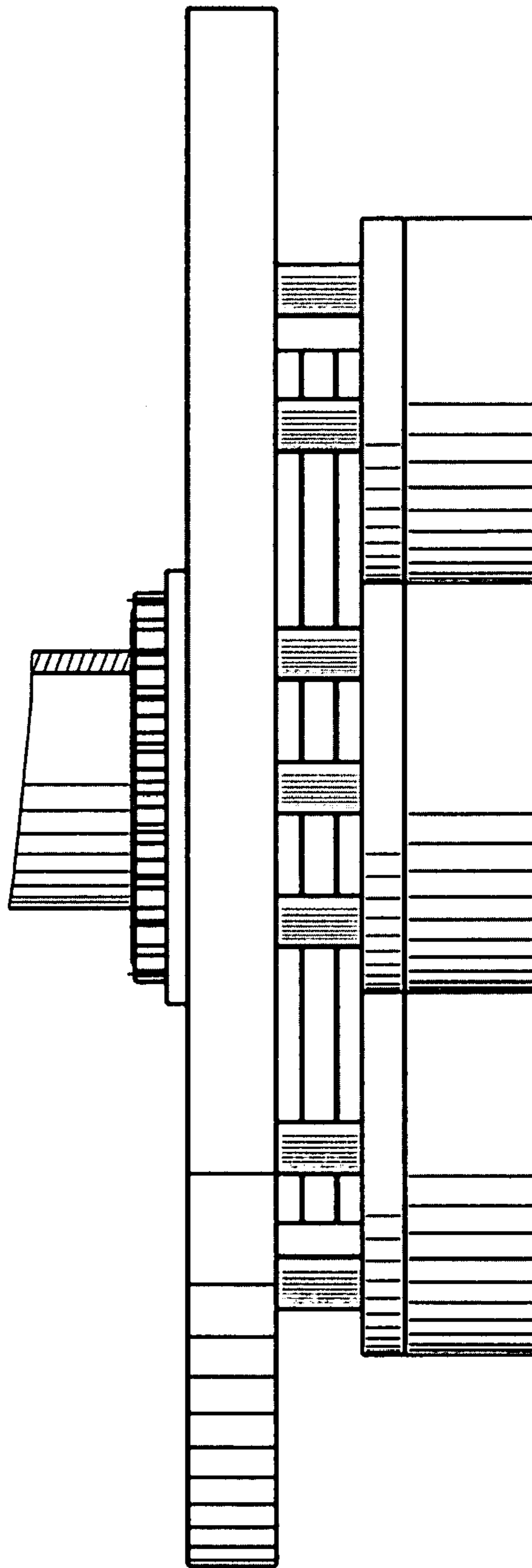


Fig. 5

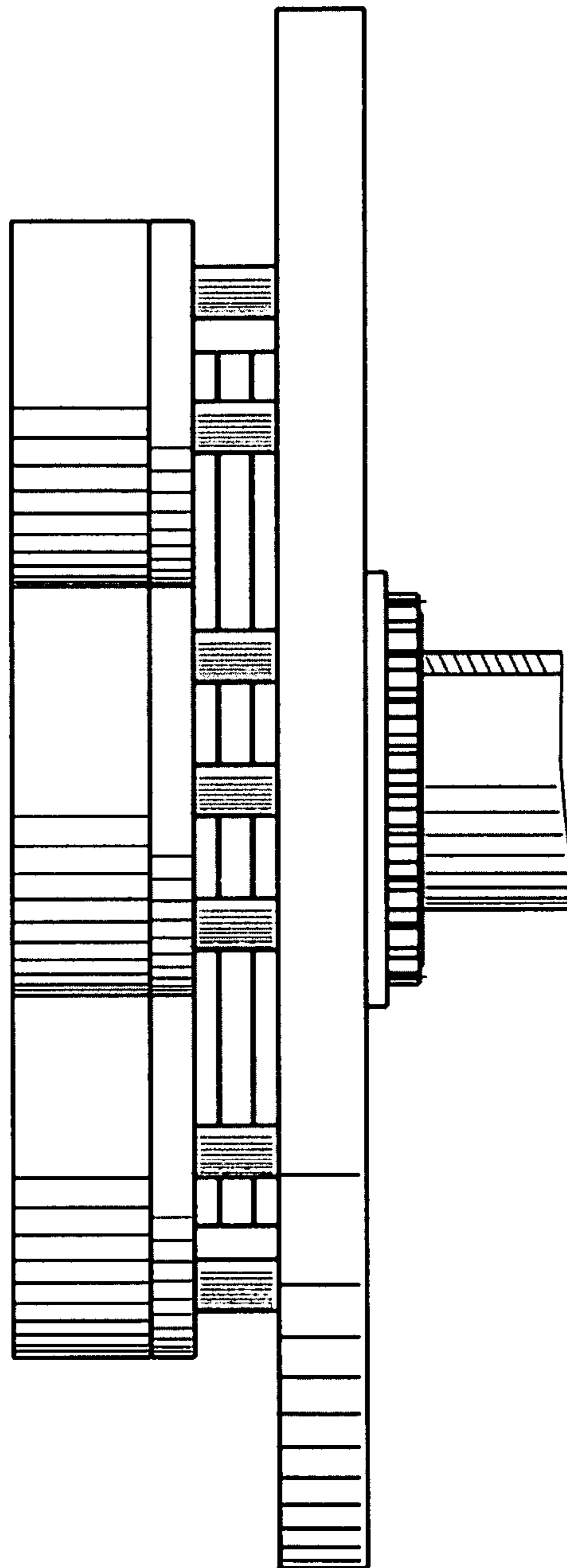


Fig. 6

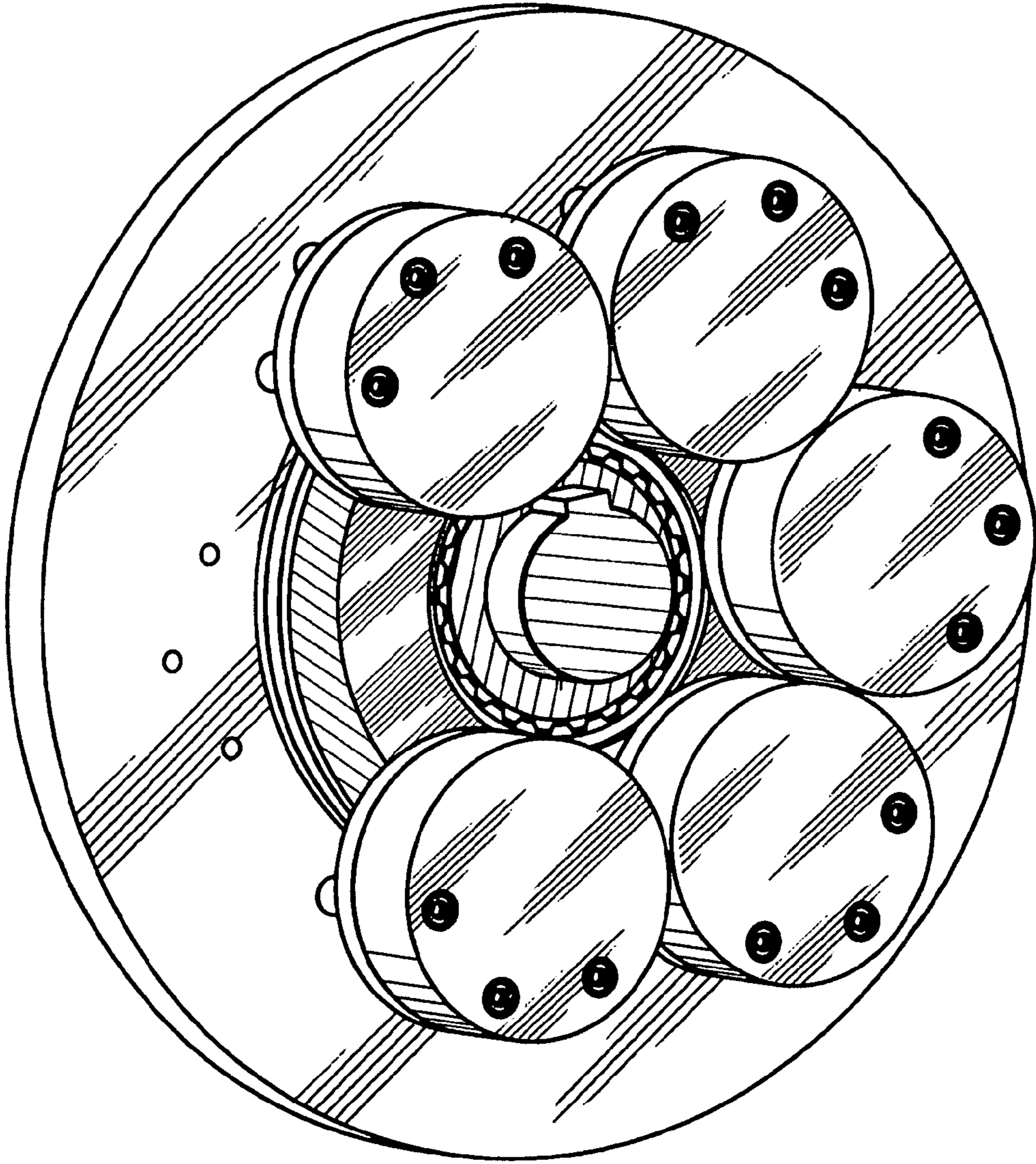


Fig. 7