



US00D590567S

(12) **United States Design Patent**  
**Latham**

(10) **Patent No.:** **US D590,567 S**  
(45) **Date of Patent:** **\*\* Apr. 14, 2009**

(54) **LAUNDRY CART PLASTIC DISPOSABLE LINER**

7,243,929 B2 \* 7/2007 Suchecki ..... 280/79.2  
D550,912 S \* 9/2007 Kempske ..... D32/37  
7,398,977 B2 \* 7/2008 Short ..... 280/33.992  
2008/0012253 A1 \* 1/2008 Short ..... 280/33.992

(76) Inventor: **Michael A. Latham**, 698 Aylesbury Dr.,  
Virginia Beach, VA (US) 23462

\* cited by examiner

(\*\*) Term: **14 Years**

*Primary Examiner*—Cynthia E Ramirez

(21) Appl. No.: **29/291,593**

(74) *Attorney, Agent, or Firm*—William G. Sykes

(22) Filed: **Sep. 7, 2007**

(57) **CLAIM**

(51) **LOC (9) Cl.** ..... **12-02**

The ornamental design for a laundry cart plastic disposable liner, as shown and described.

(52) **U.S. Cl.** ..... **D34/27**

(58) **Field of Classification Search** ..... D34/27;  
D32/37; D3/304, 305, 307, 308, 309, 312,  
D3/314, 318, 319; 220/607, 676, 770, 413,  
220/908–909, 908.1; 280/33.992; D30/161;  
D11/143

**DESCRIPTION**

See application file for complete search history.

FIG. 1 is an illustrative front, left isometric view of a laundry cart plastic disposable liner showing my new design;  
FIG. 2 is an illustrative front elevational view thereof;  
FIG. 3 is a front, left isometric view thereof;  
FIG. 4 is a front elevational view thereof;  
FIG. 5 is a top plan view thereof;  
FIG. 6 is an end view thereof, the other end being the same;  
and,  
FIG. 7 is a bottom view thereof.

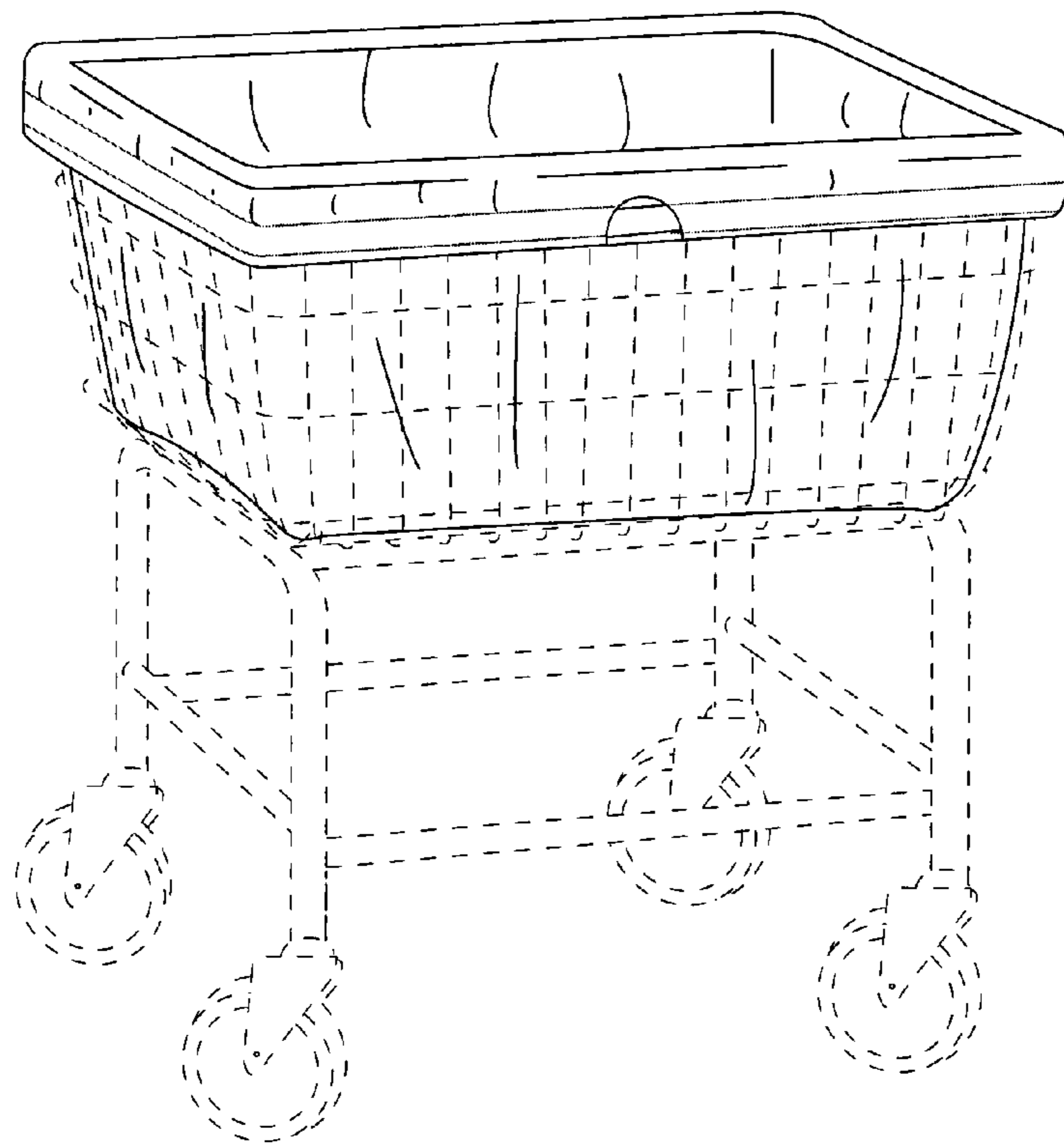
(56) **References Cited**

**U.S. PATENT DOCUMENTS**

4,312,295 A \* 1/1982 Harrington ..... 119/167  
4,560,096 A \* 12/1985 Lucas et al. .... 224/411  
4,638,967 A \* 1/1987 MacDuffee ..... 248/97  
5,472,107 A \* 12/1995 Lieber ..... 220/6  
5,918,798 A \* 7/1999 Frahm ..... 229/117.07  
D426,684 S \* 6/2000 Kenney ..... D30/161  
D495,491 S \* 9/2004 Ramirez et al. .... D3/304  
D495,846 S \* 9/2004 Liu ..... D34/17  
D540,039 S \* 4/2007 van Beuningen ..... D3/314

The broken line showing of a cart in FIGS. 1 and 2 is included for the purpose of illustrating environment and forms no part of the claimed design.

**1 Claim, 5 Drawing Sheets**



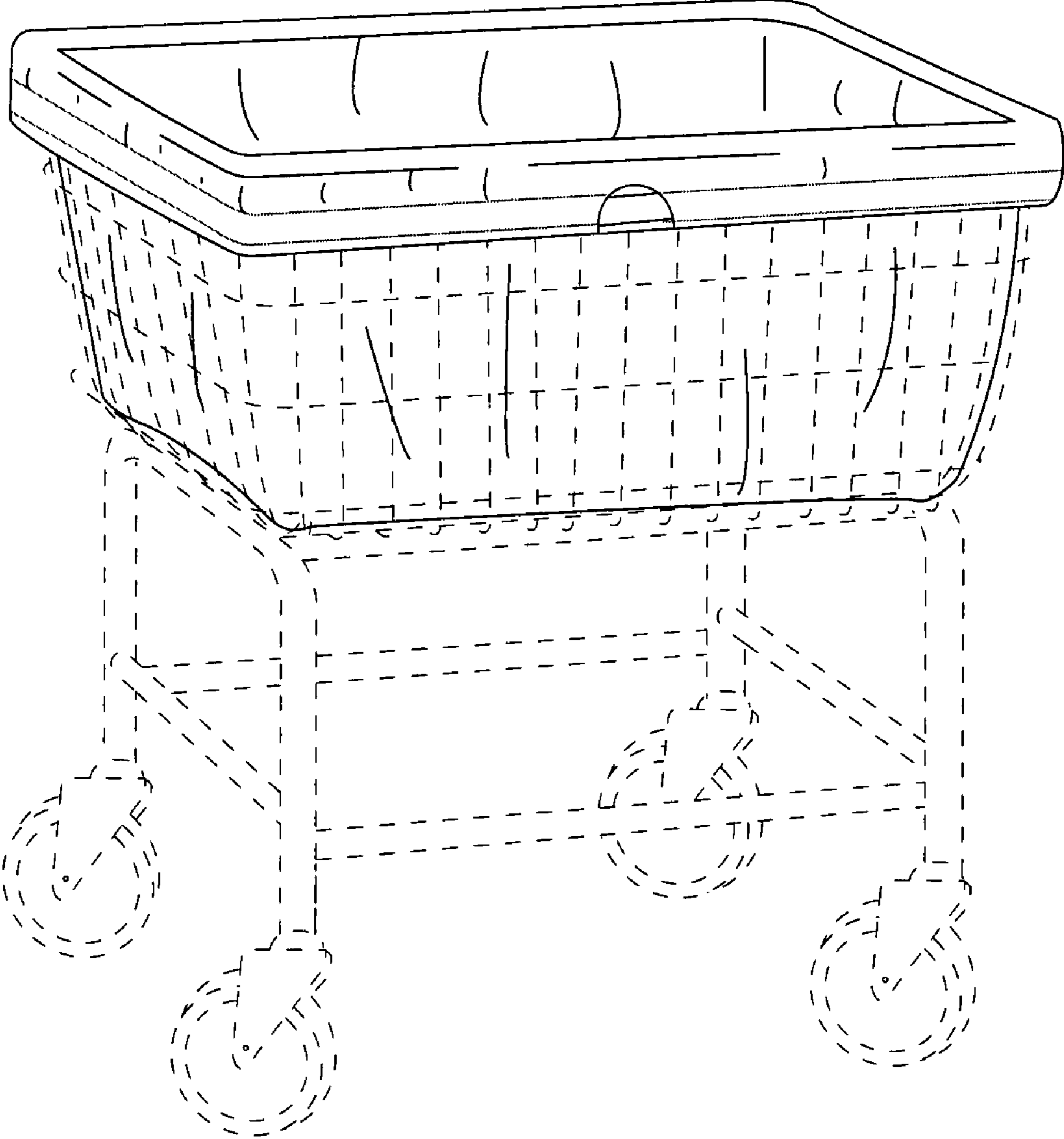


Fig. 1

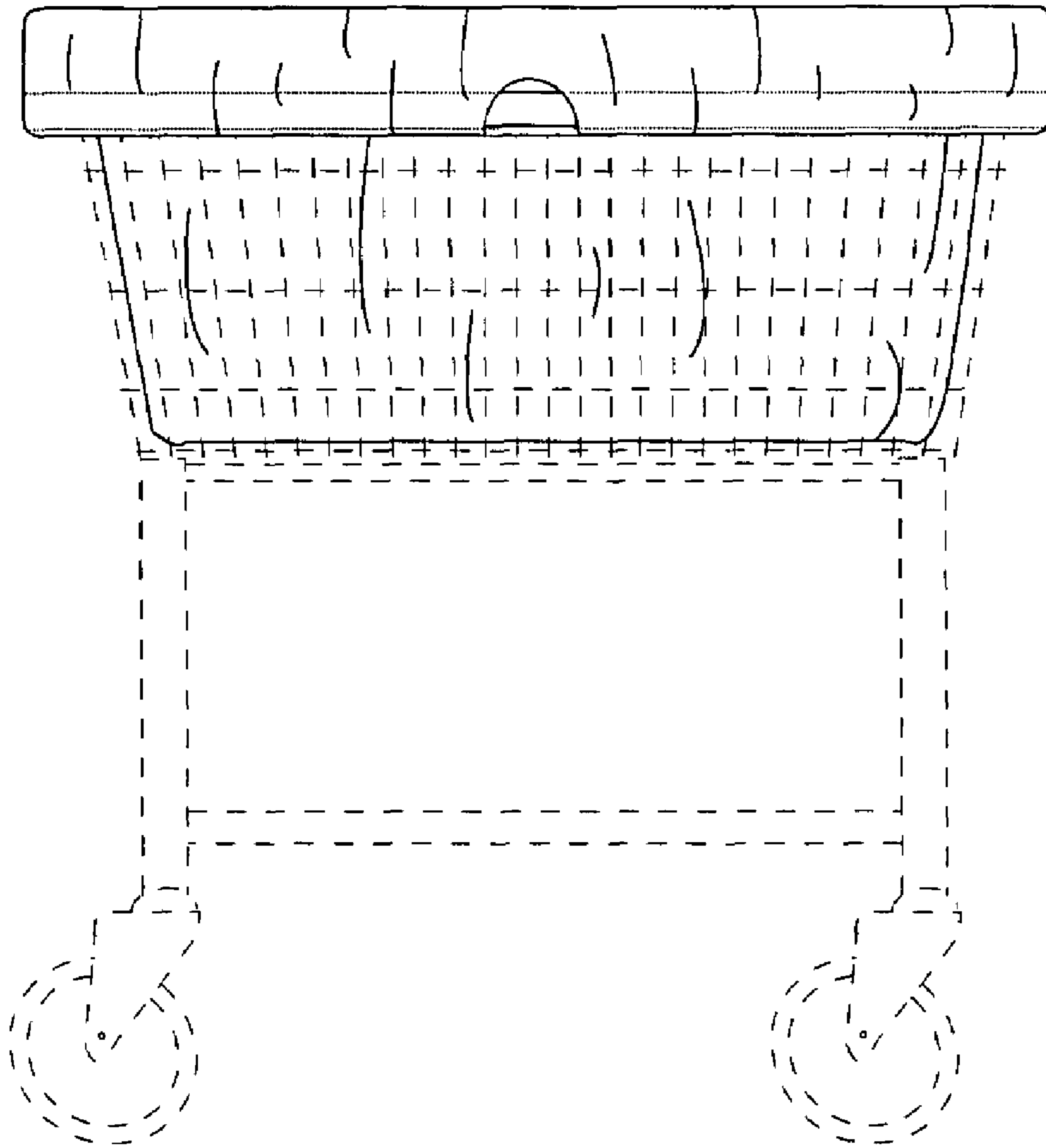


Fig. 2

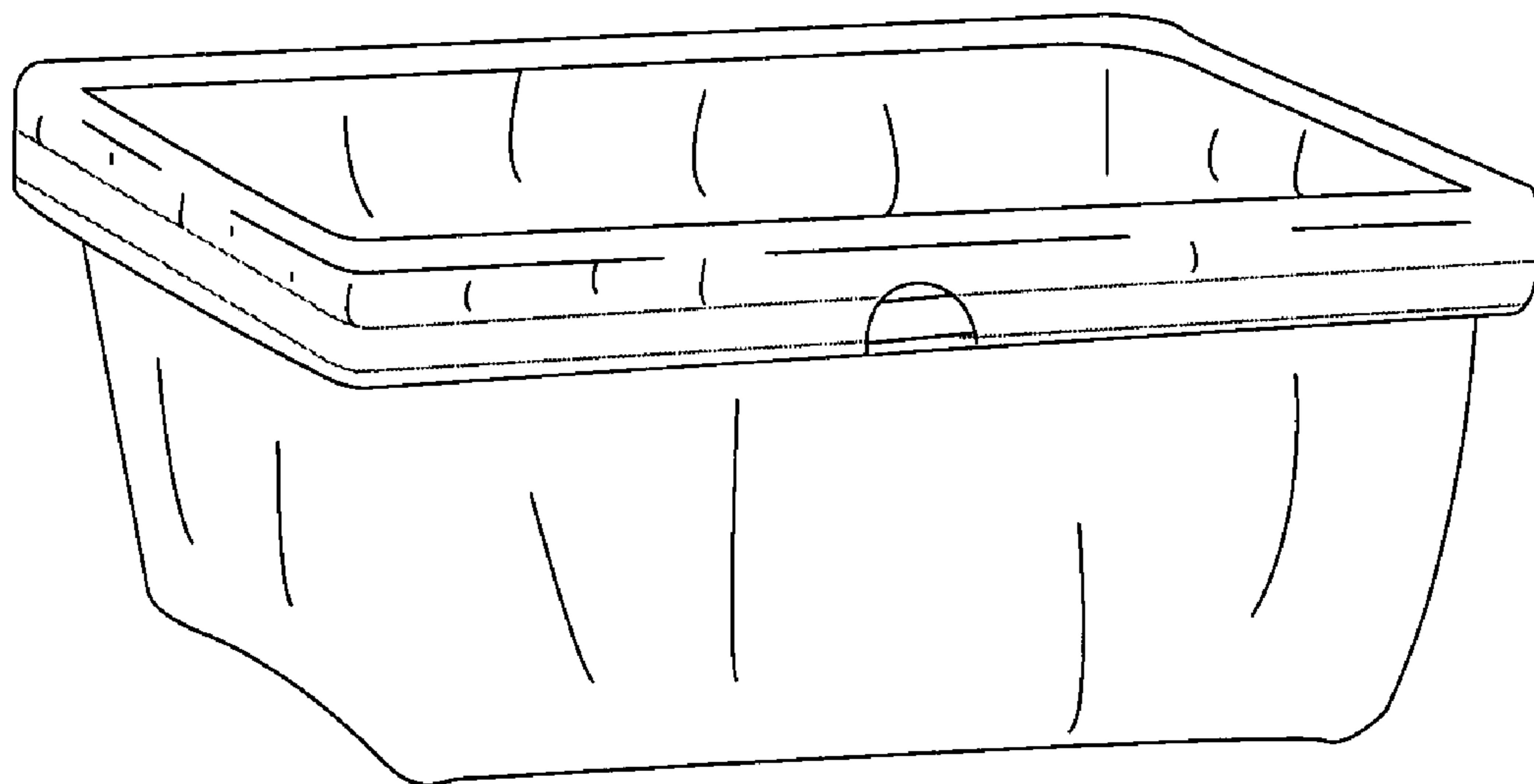


Fig. 3

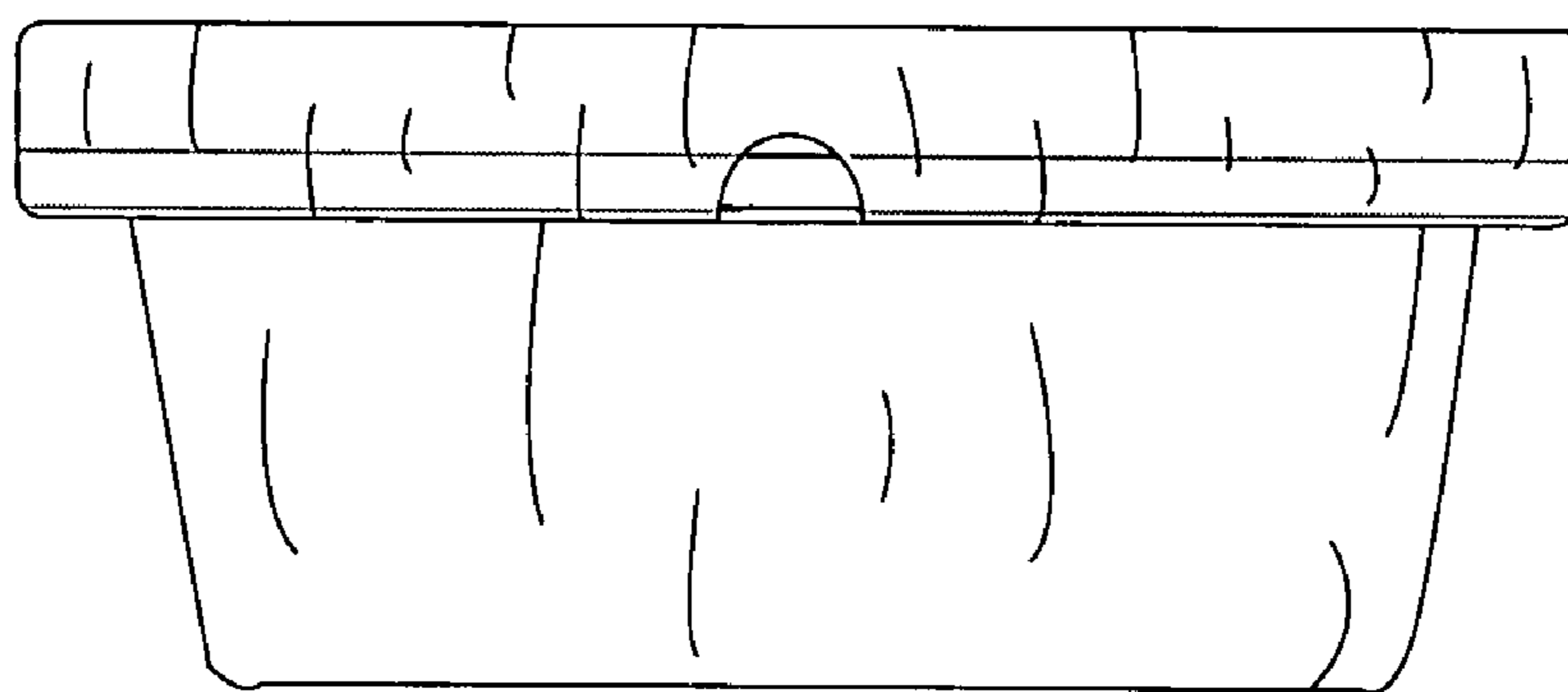


Fig. 4

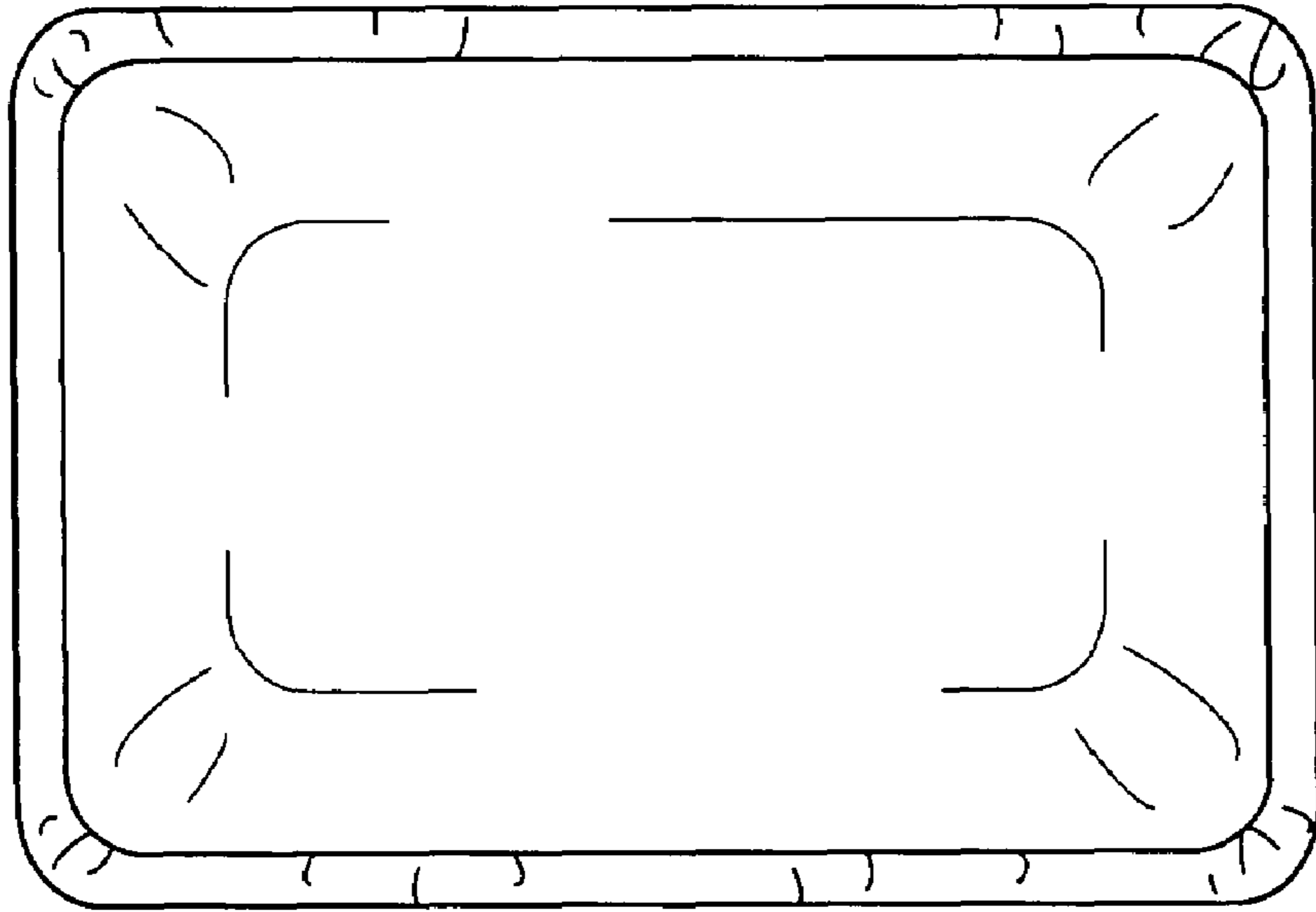


Fig. 5

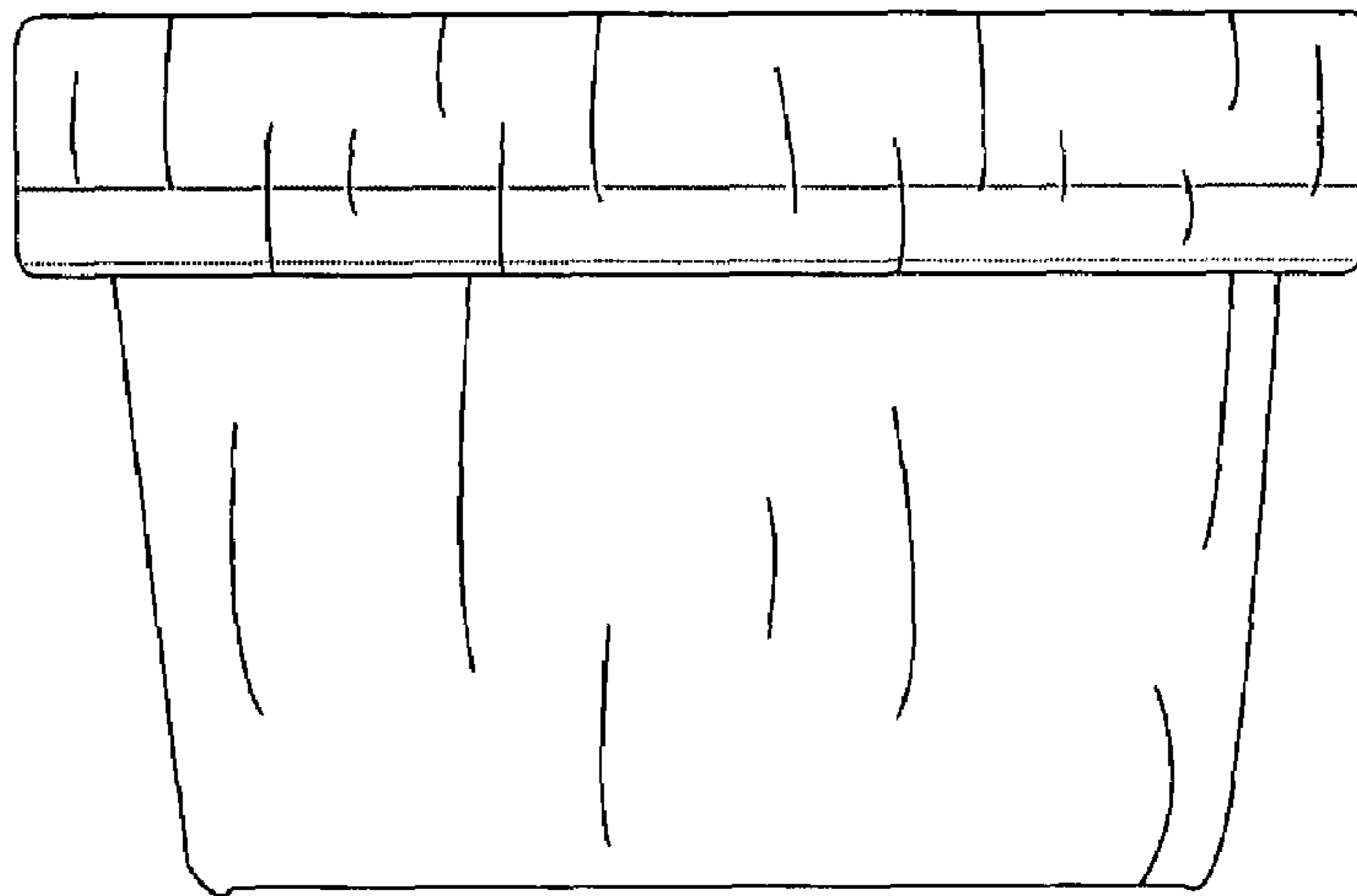


Fig. 6

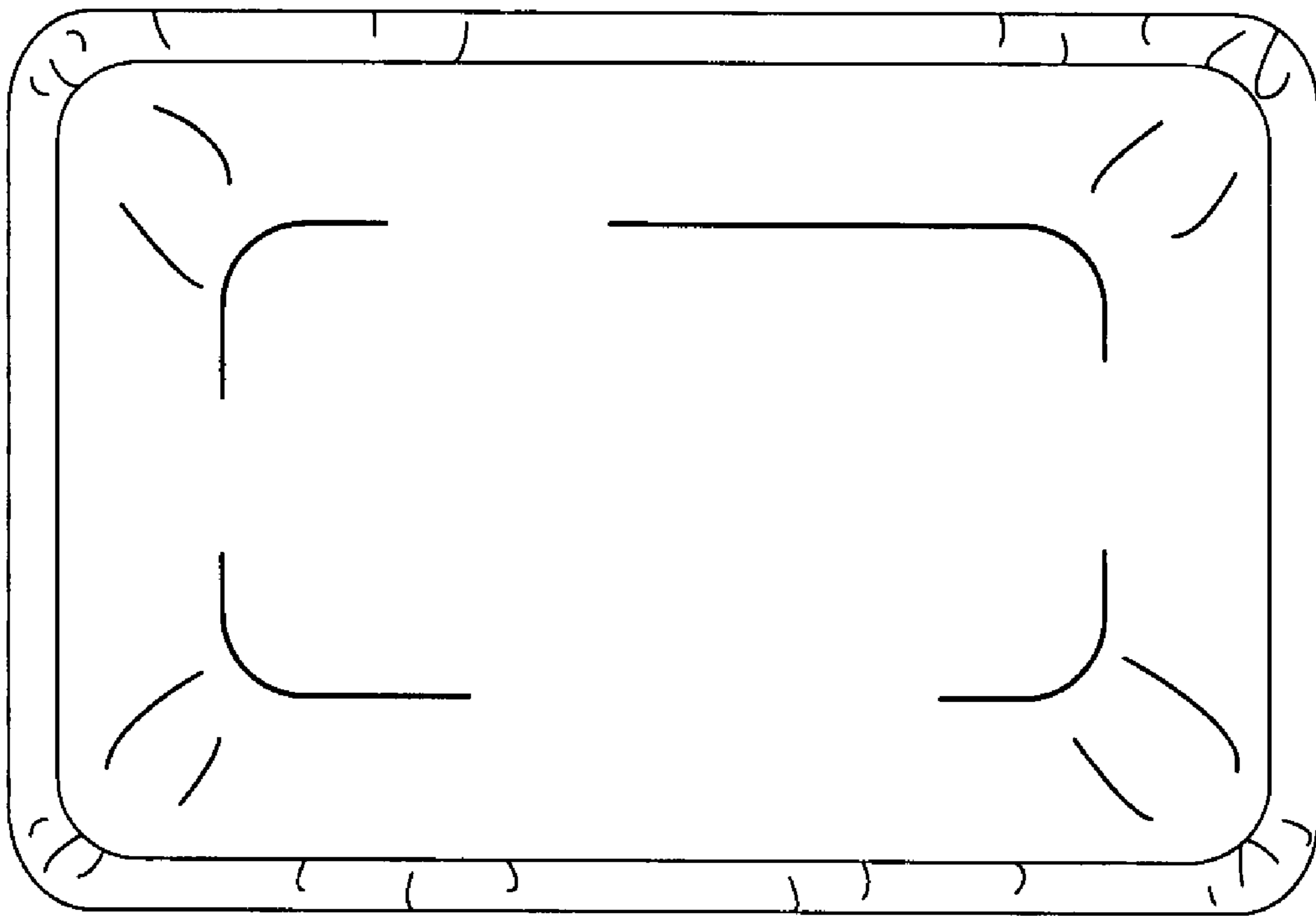


Fig. 7