



US00D590566S

(12) **United States Design Patent**  
**Arcati et al.**

(10) **Patent No.:** **US D590,566 S**  
(45) **Date of Patent:** **\*\* Apr. 14, 2009**

(54) **METAL CART**

(75) Inventors: **Peter Arcati**, Dillsburg, PA (US); **Greg Blaszcak**, Hummelstown, PA (US)

(73) Assignee: **Ames True Temper, Inc.**, Camp Hill, PA (US)

(\*\*) Term: **14 Years**

(21) Appl. No.: **29/322,009**

(22) Filed: **Jul. 28, 2008**

(51) **LOC (9) Cl.** ..... **12-02**

(52) **U.S. Cl.** ..... **D34/24**

(58) **Field of Classification Search** ..... D34/12-27;  
280/33.991, 33.992, 33.994, 47.18, 47.26,  
280/47.34; D8/359; 242/394, 403.1  
See application file for complete search history.

(56) **References Cited**

**U.S. PATENT DOCUMENTS**

4,137,939	A *	2/1979	Chow	137/355.27
4,512,361	A *	4/1985	Tisbo et al.	137/355.27
4,768,546	A *	9/1988	Brusadin et al.	137/355.27
4,913,580	A *	4/1990	Whitehead	403/326
4,974,627	A *	12/1990	Nelson	137/355.27
5,007,598	A *	4/1991	Spear et al.	242/403.1
5,046,520	A *	9/1991	Sanchez et al.	137/355.27
D352,149	S *	11/1994	Nelson et al.	D34/26

D455,883	S *	4/2002	Clivio	D34/24
D503,837	S *	4/2005	Alkalay	D34/14
D547,021	S *	7/2007	Stein	D34/17
D567,470	S *	4/2008	Dethier	D34/24
D570,573	S *	6/2008	Arcati et al.	D34/24

\* cited by examiner

*Primary Examiner*—Cynthia E Ramirez

(74) *Attorney, Agent, or Firm*—Eckert Seamans Cherin & Mellott, LLC; David C. Jenkins

(57) **CLAIM**

The design for a metal cart, as shown and described.

**DESCRIPTION**

FIG. 1 is an isometric view of a metal cart showing our new design;

FIG. 2 is a back view of the metal cart;

FIG. 3 is a front view of the metal cart;

FIG. 4 is a top view of the metal cart;

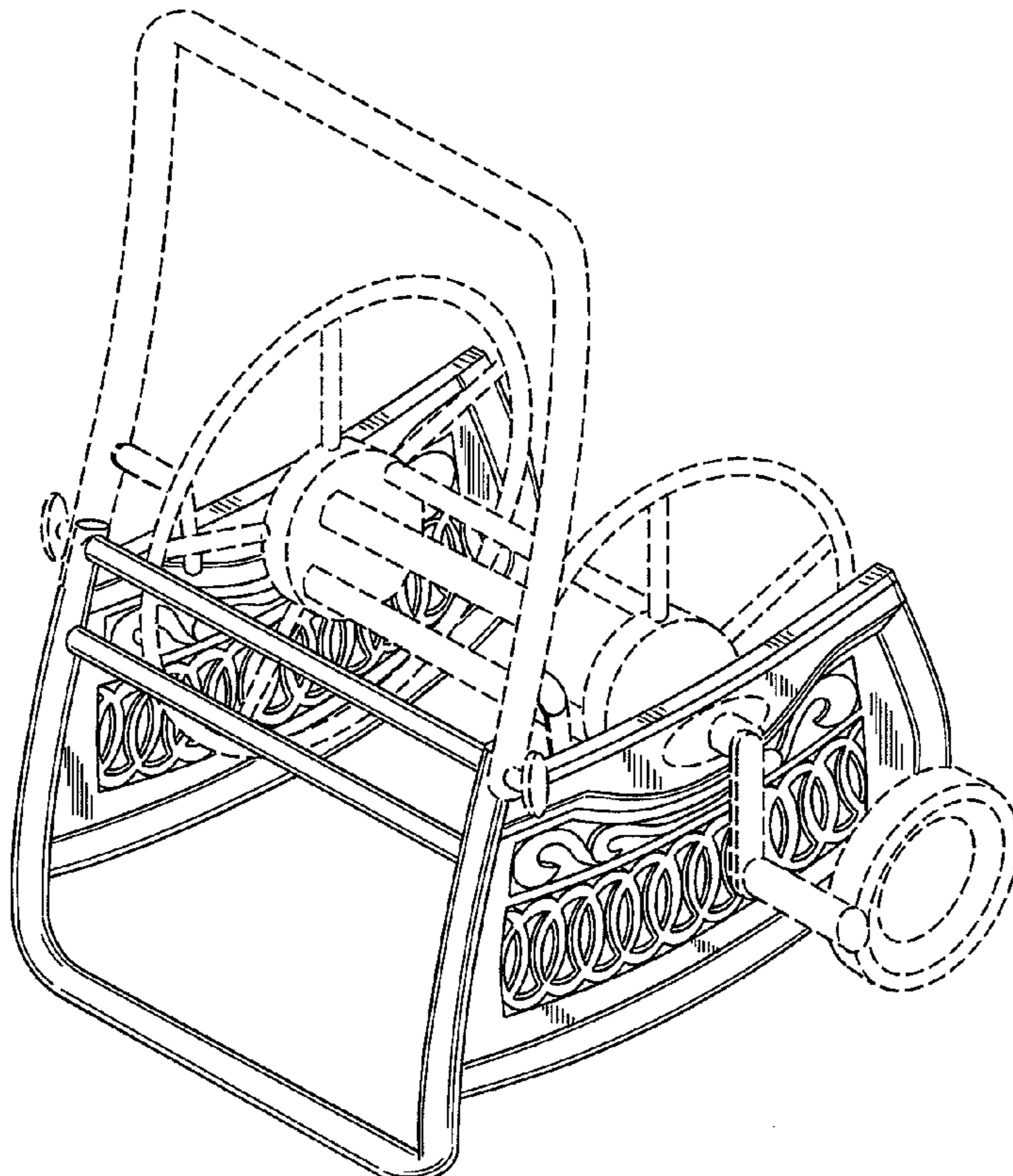
FIG. 5 is a bottom view of the metal cart;

FIG. 6 is a left side view of the metal cart; and,

FIG. 7 is a right side view of the metal cart.

It is noted that the phantom lines depicted in the figures are intended for the purposes of illustration only and are not a part of the design.

**1 Claim, 6 Drawing Sheets**



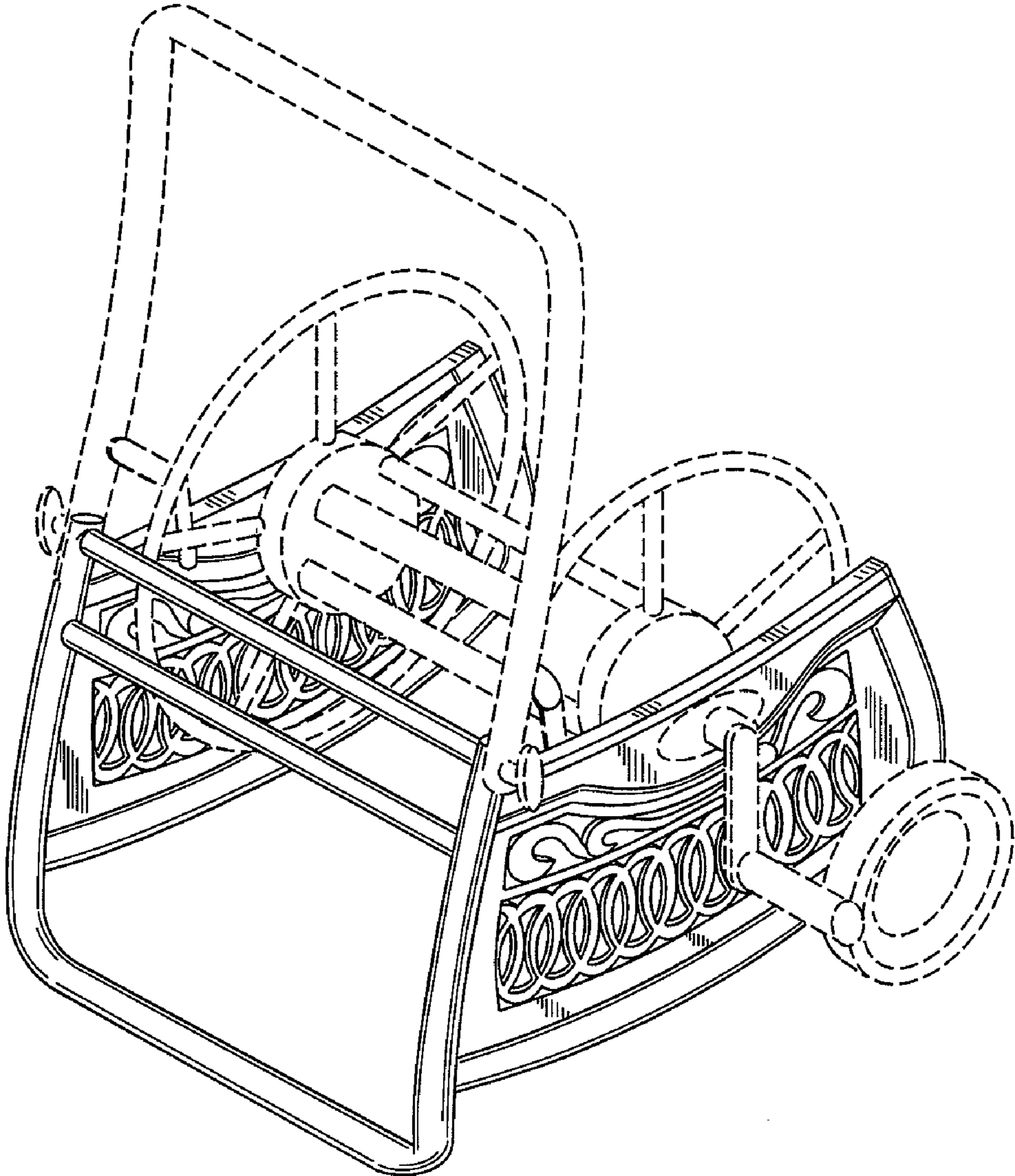


FIG. 1

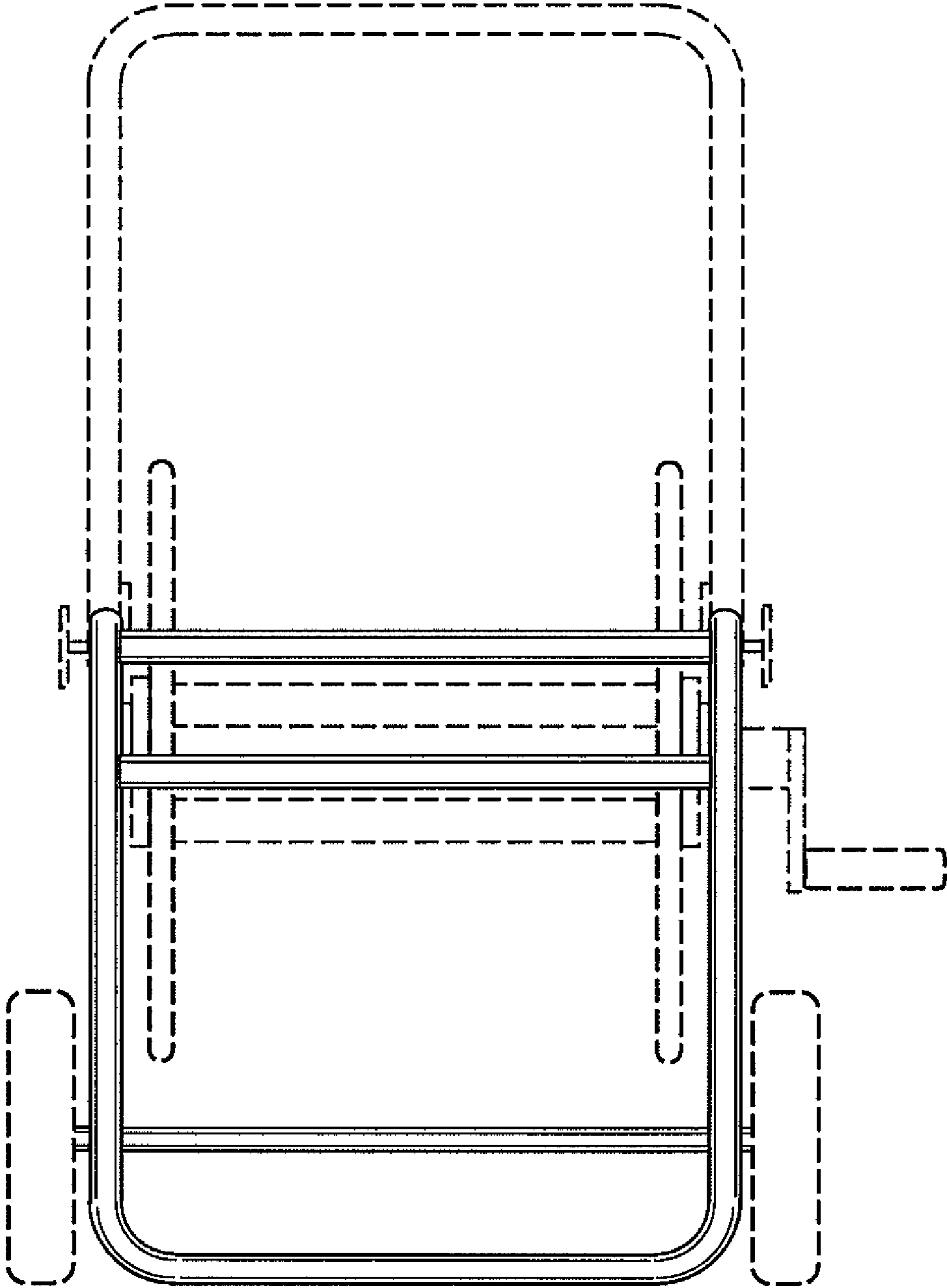


FIG. 2

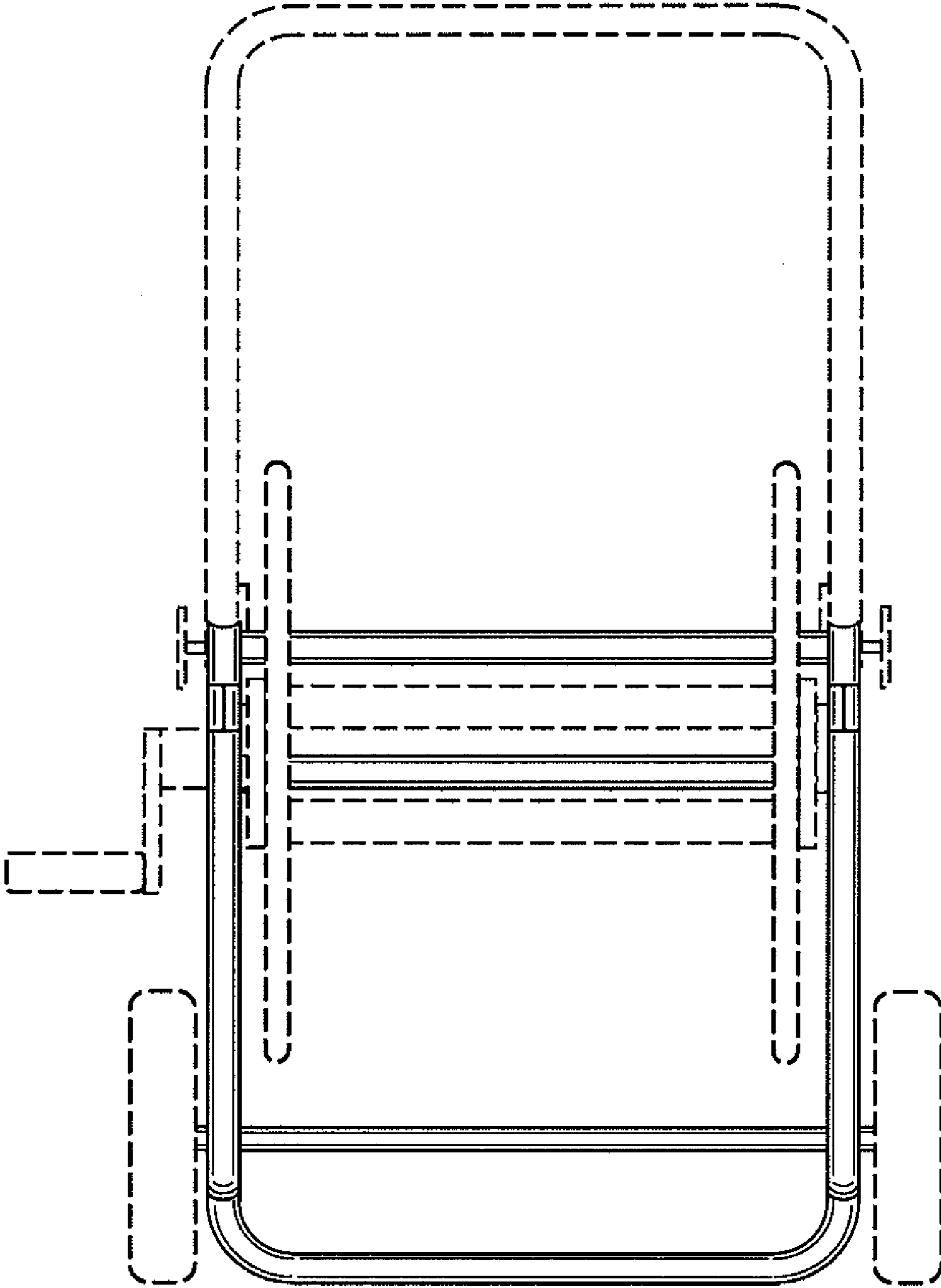


FIG. 3

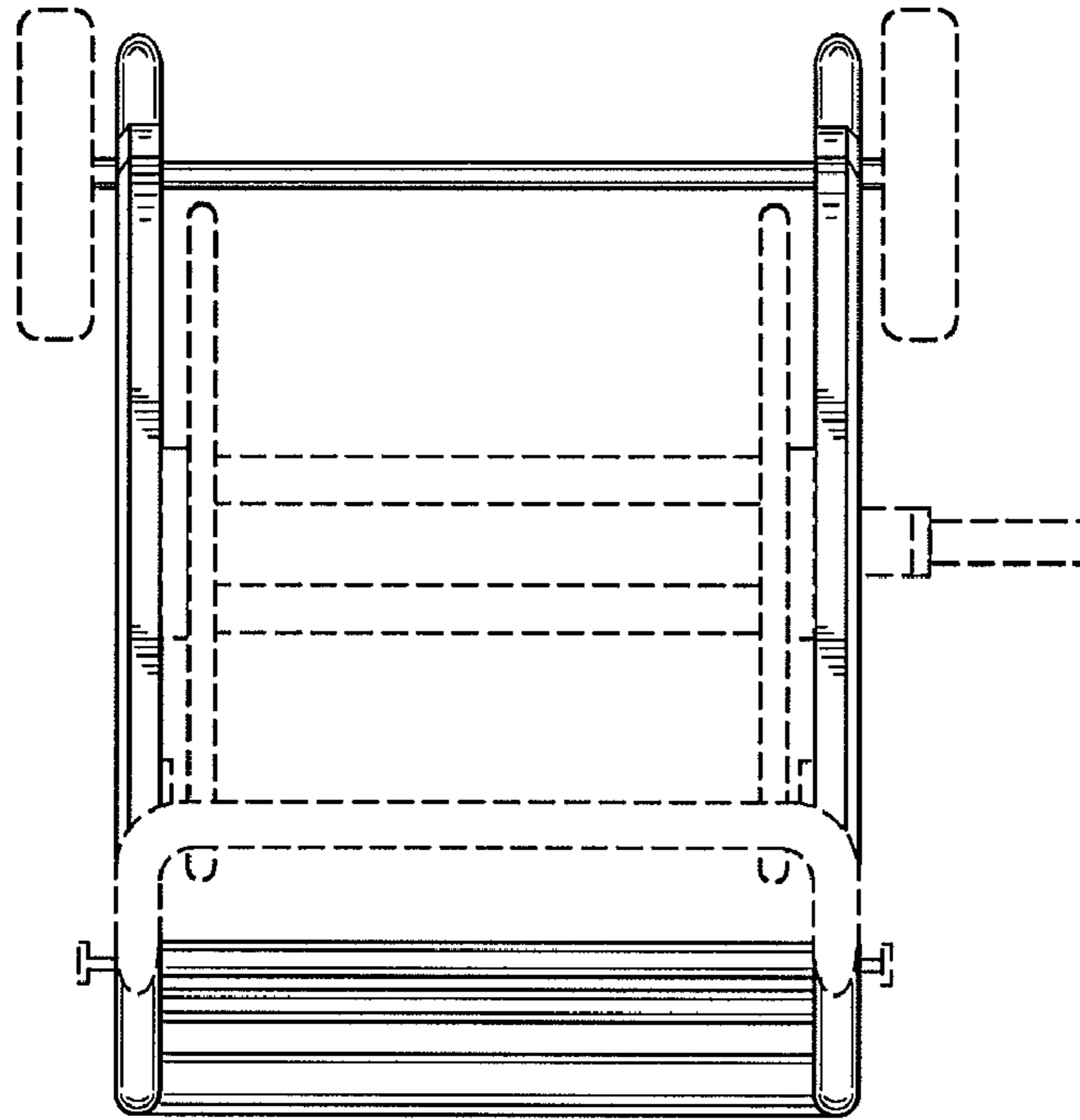


FIG. 4

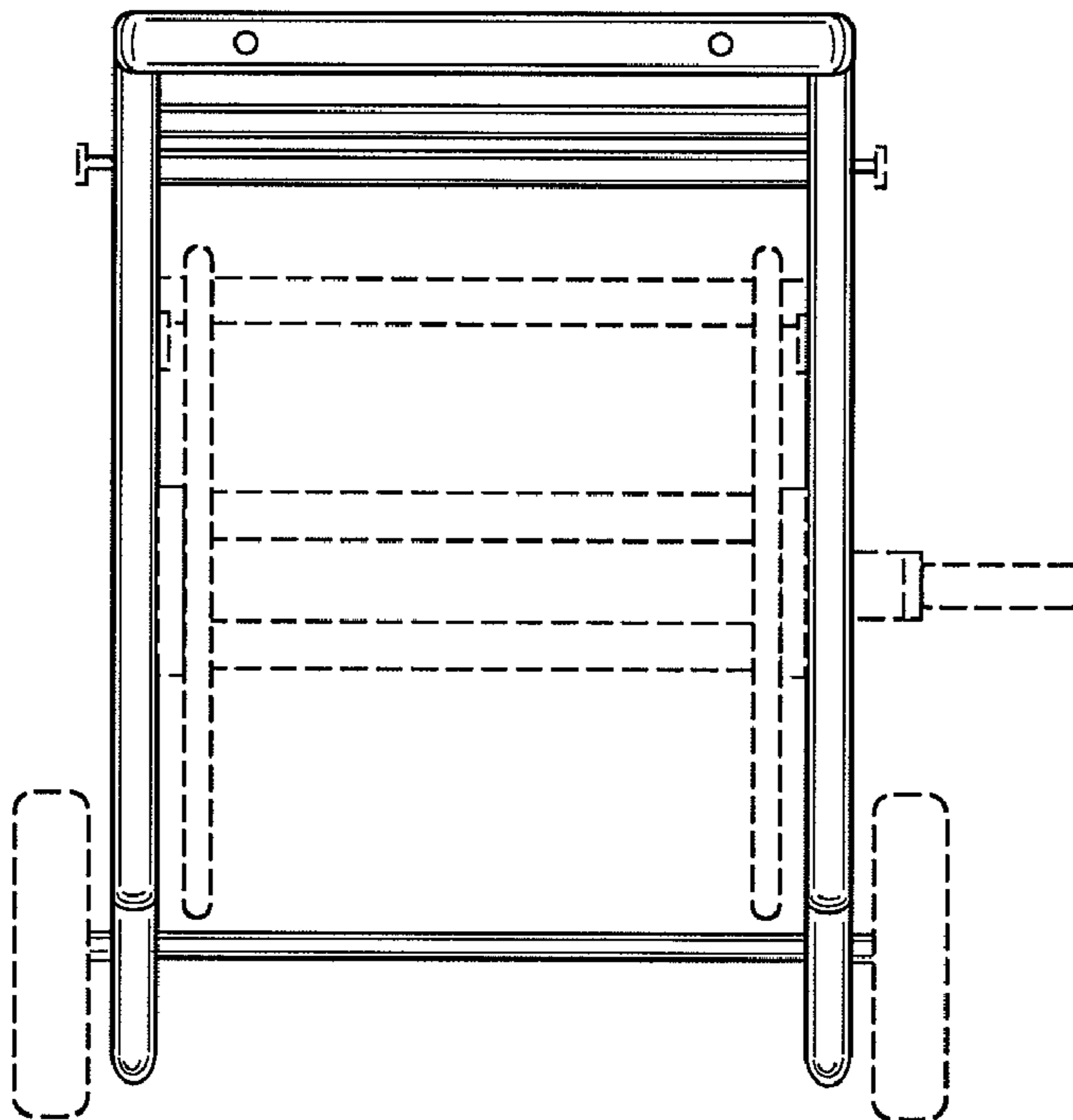


FIG. 5

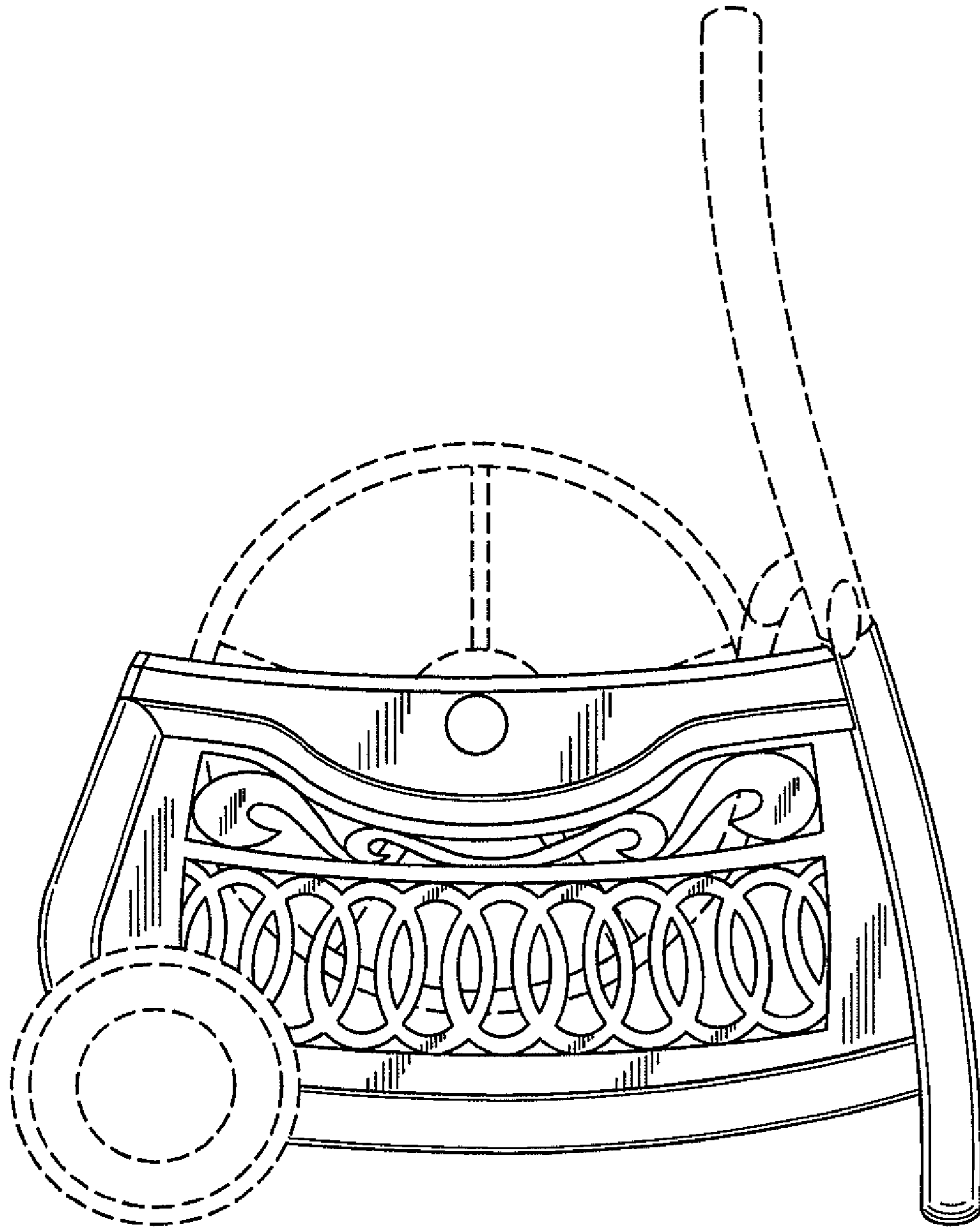


FIG. 6

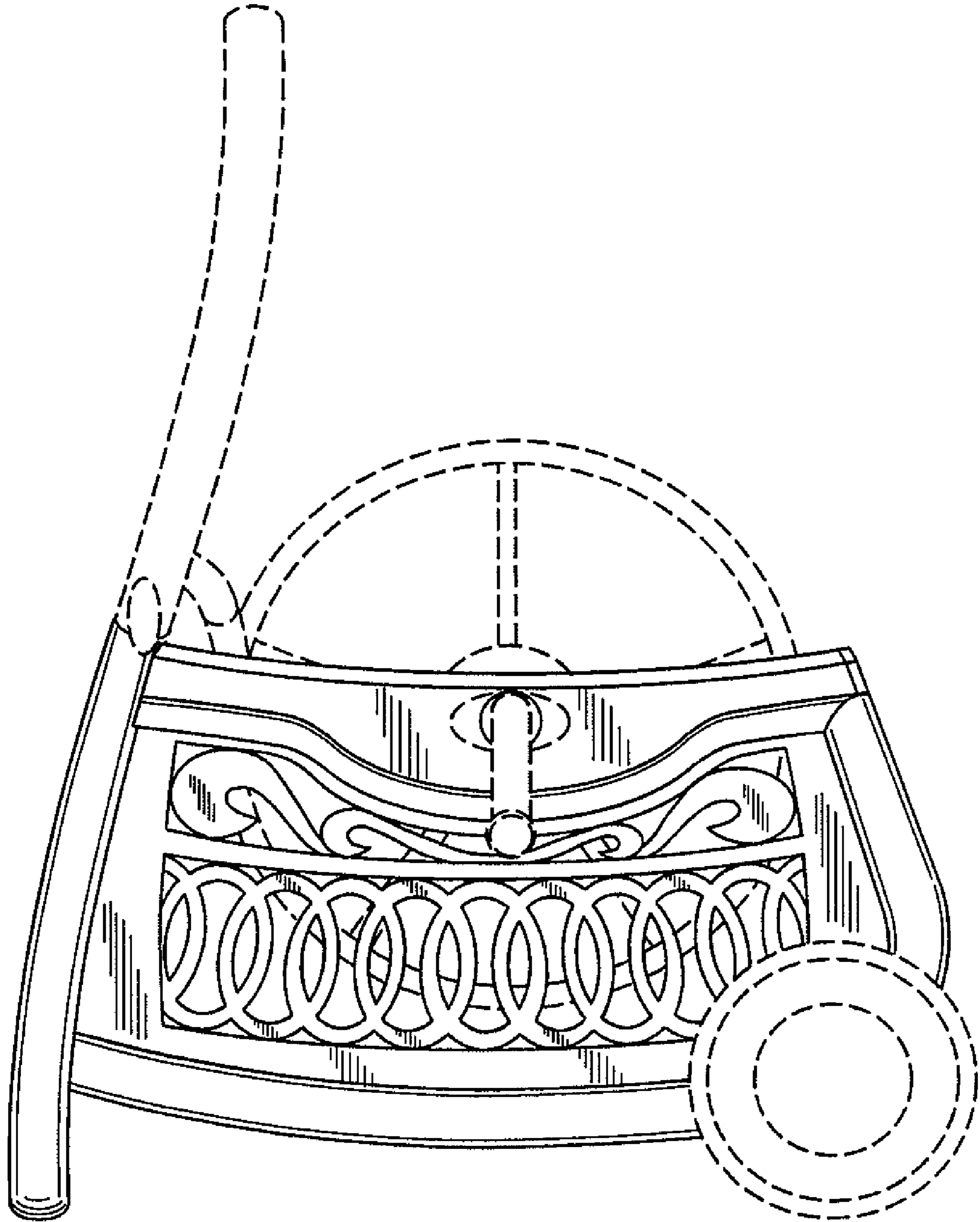


FIG. 7