

US00D590565S

(12) **United States Design Patent**  
**Spidare et al.**

(10) **Patent No.:** **US D590,565 S**

(45) **Date of Patent:** **\*\* Apr. 14, 2009**

(54) **STAND-UP LIFT**

- (75) Inventors: **Frances Spidare**, Copley, OH (US);  
**Robert R. Bly**, Wellington, OH (US)
- (73) Assignee: **Invacare Corporation**, Elyria, OH (US)
- (\*\*) Term: **14 Years**
- (21) Appl. No.: **29/298,617**
- (22) Filed: **Dec. 10, 2007**

- (51) **LOC (9) Cl.** ..... **12-02**
- (52) **U.S. Cl.** ..... **D34/18**
- (58) **Field of Classification Search** ..... D34/18,  
D34/23, 28; 280/43.23, 79.3, 79.11; 5/83.1,  
5/84.1, 89.1; 187/200, 222; 414/678, 921  
See application file for complete search history.

(56) **References Cited**

**U.S. PATENT DOCUMENTS**

D286,698 S *	11/1986	Spicer	.....	D34/23
4,918,771 A	4/1990	James		
5,022,106 A	6/1991	Richards		
D327,352 S *	6/1992	Robinson	.....	D34/23
D403,828 S	1/1999	Greaves et al.		
5,892,180 A	4/1999	Carey		
6,135,131 A	10/2000	Downing		
6,201,195 B1	3/2001	Carey		
D454,998 S	3/2002	Czemeses		
D570,071 S *	5/2008	Campbell et al.	.....	D34/28

**OTHER PUBLICATIONS**

Invacare "Lifts and Slings" brochure, Form 00-266, Rev. Jul. 2007, 12 pgs.  
 Invacare Portable Patient Lift and Slings Owner's Installation And Operating Manual, Part No. 1024492, Rev. D, Dec. 21, 2005, 40 pgs.  
 Invacare Reliant 440 Owner's Operation And Maintenance Manual, Part No. 1141431, Rev. B, Mar. 3, 2006, 40 pgs.

\* cited by examiner

*Primary Examiner*—Cynthia E Ramirez

(74) *Attorney, Agent, or Firm*—Calfee, Halter & Griswold LLP

(57) **CLAIM**

The ornamental design for a stand-up lift, as shown and described.

**DESCRIPTION**

FIG. 1 is a perspective view of a stand-up lift showing the new design;

FIG. 2 is a side view of the design shown in FIG. 1;

FIG. 3 is a side view of the design shown in FIG. 1;

FIG. 4 is a front view of the design shown in FIG. 1;

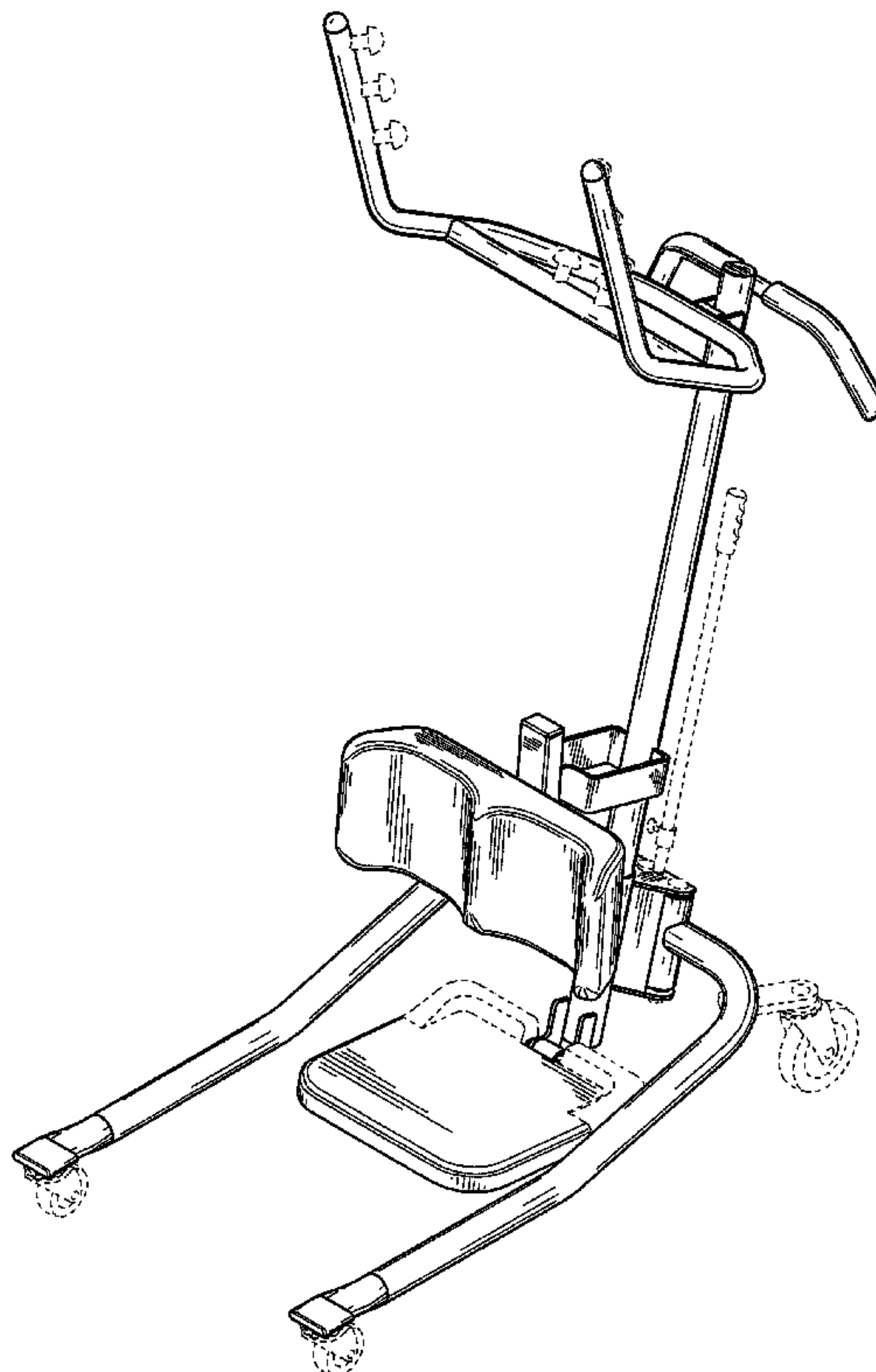
FIG. 5 is a back view of the design shown in FIG. 1;

FIG. 6 is a top view of the design shown in FIG. 1; and,

FIG. 7 is a bottom view of the design shown in FIG. 1.

The portions of the Figures shown in phantom lines are not part of the claimed design but are for illustration only.

**1 Claim, 6 Drawing Sheets**



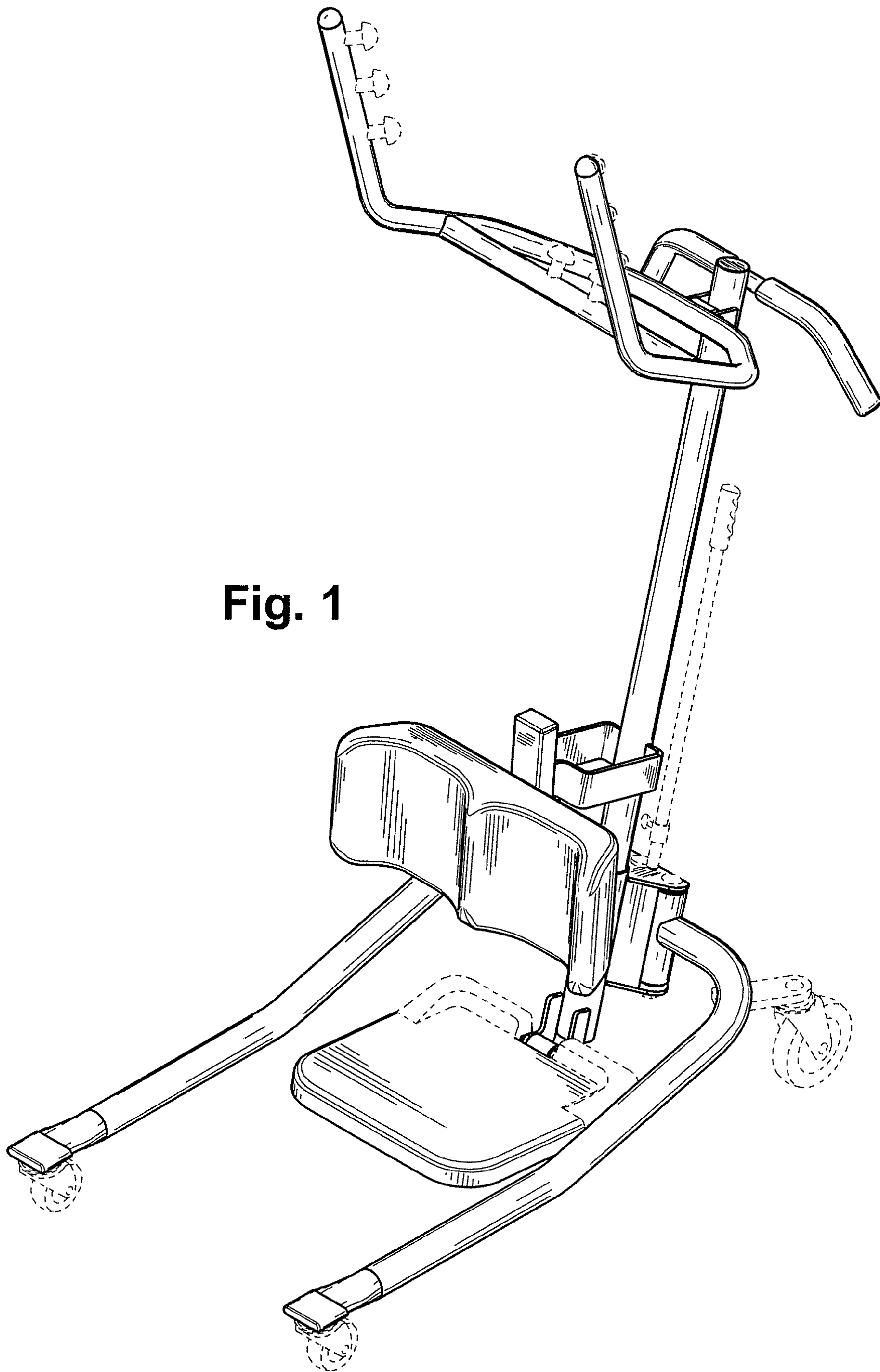


Fig. 1

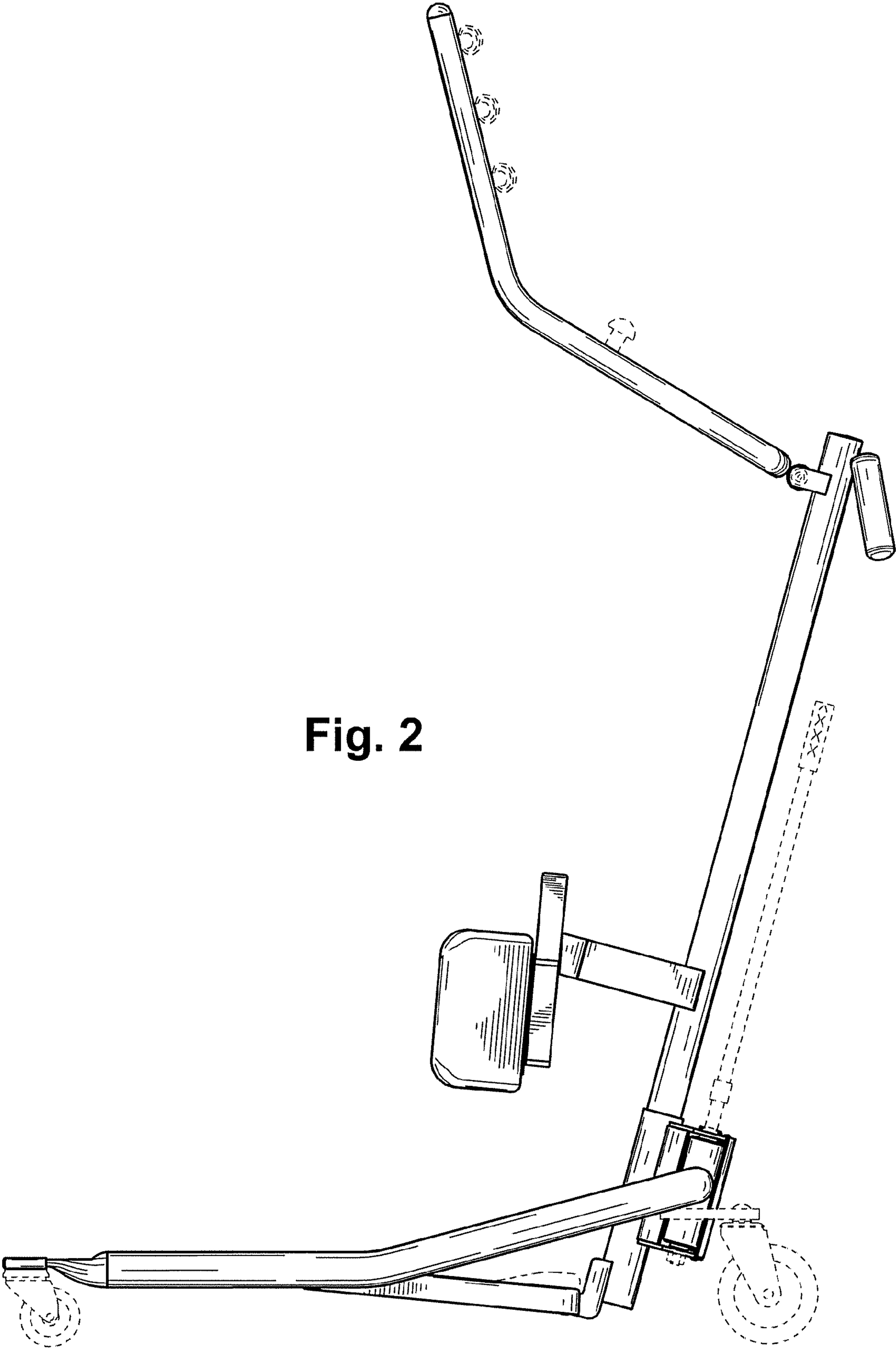


Fig. 2

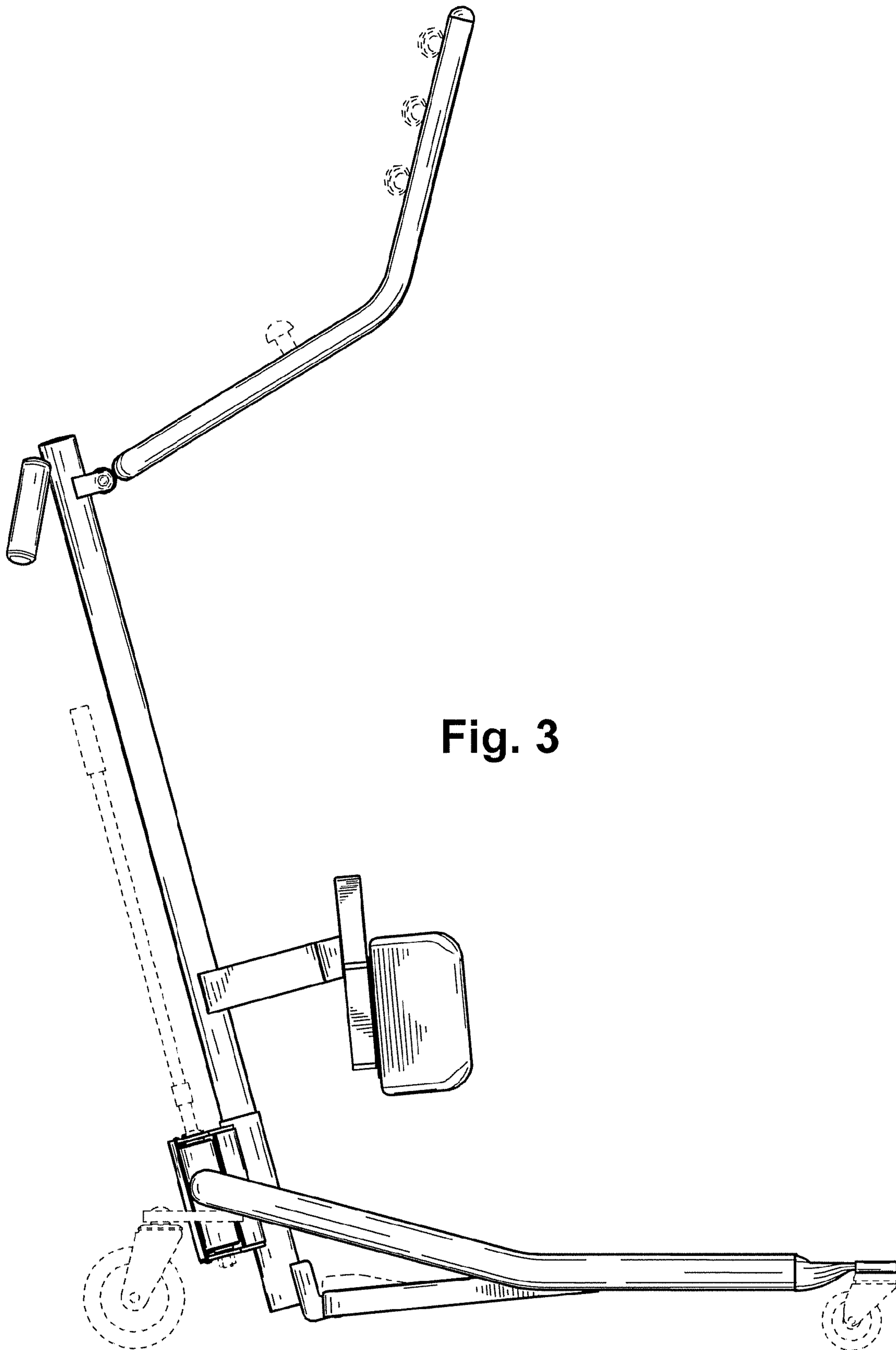


Fig. 3



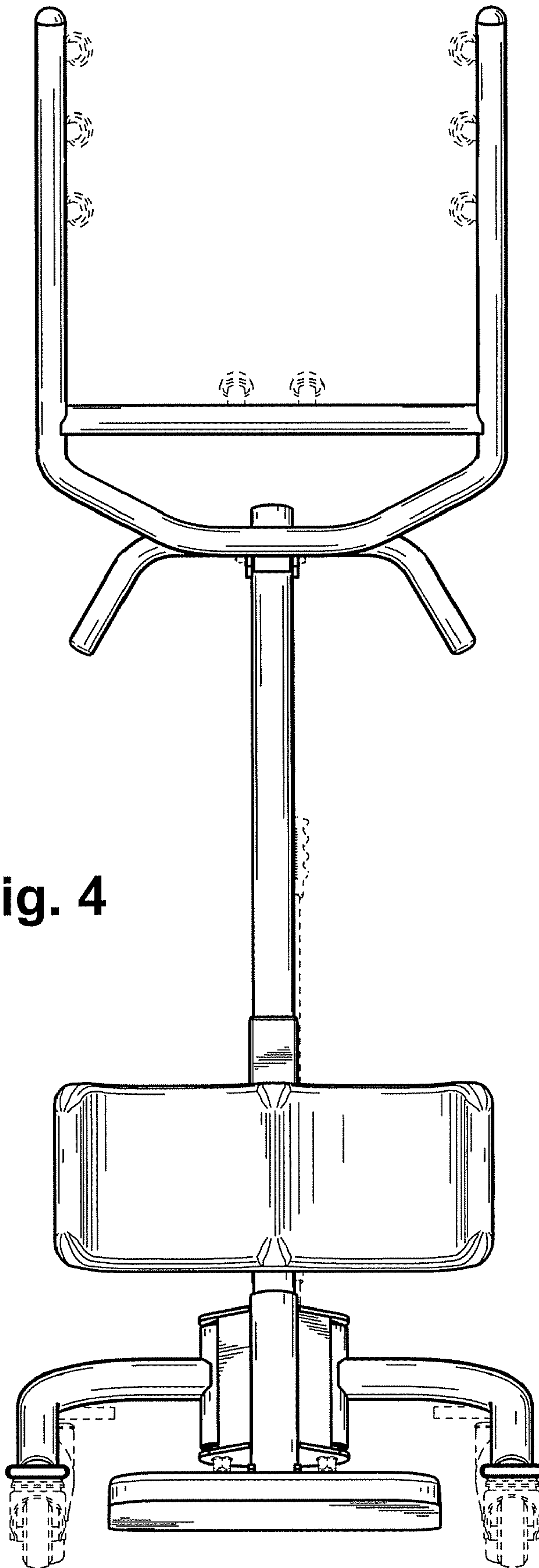
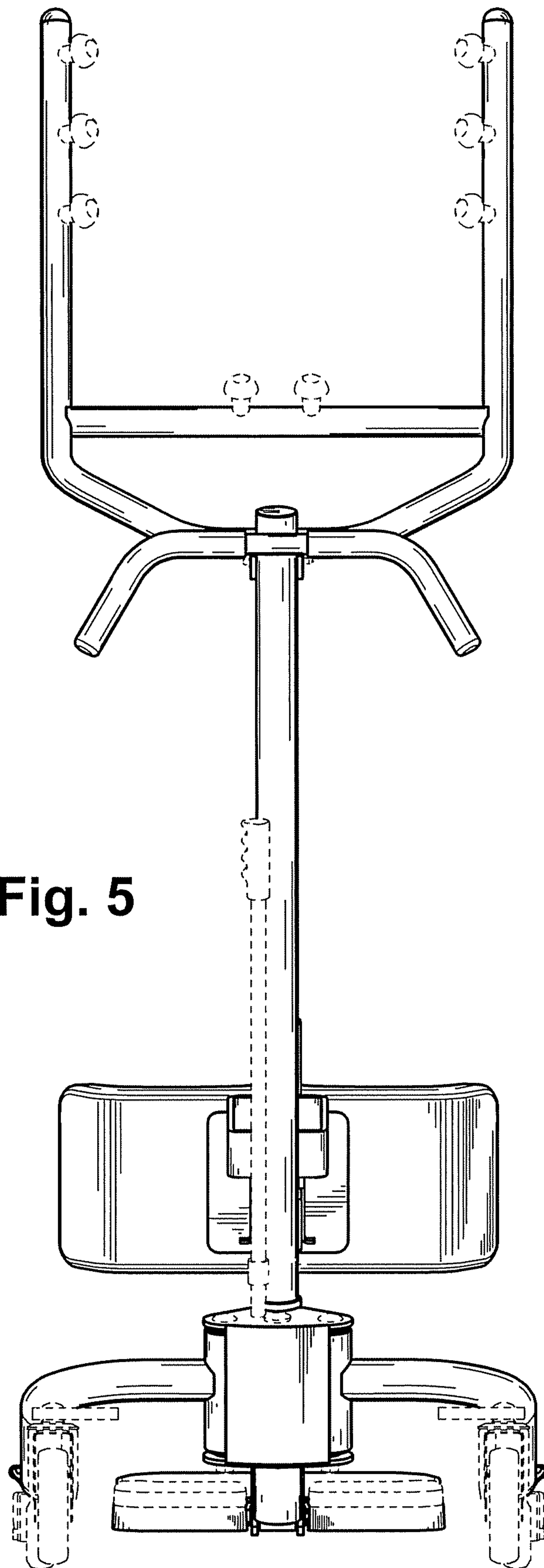


Fig. 4



**Fig. 5**

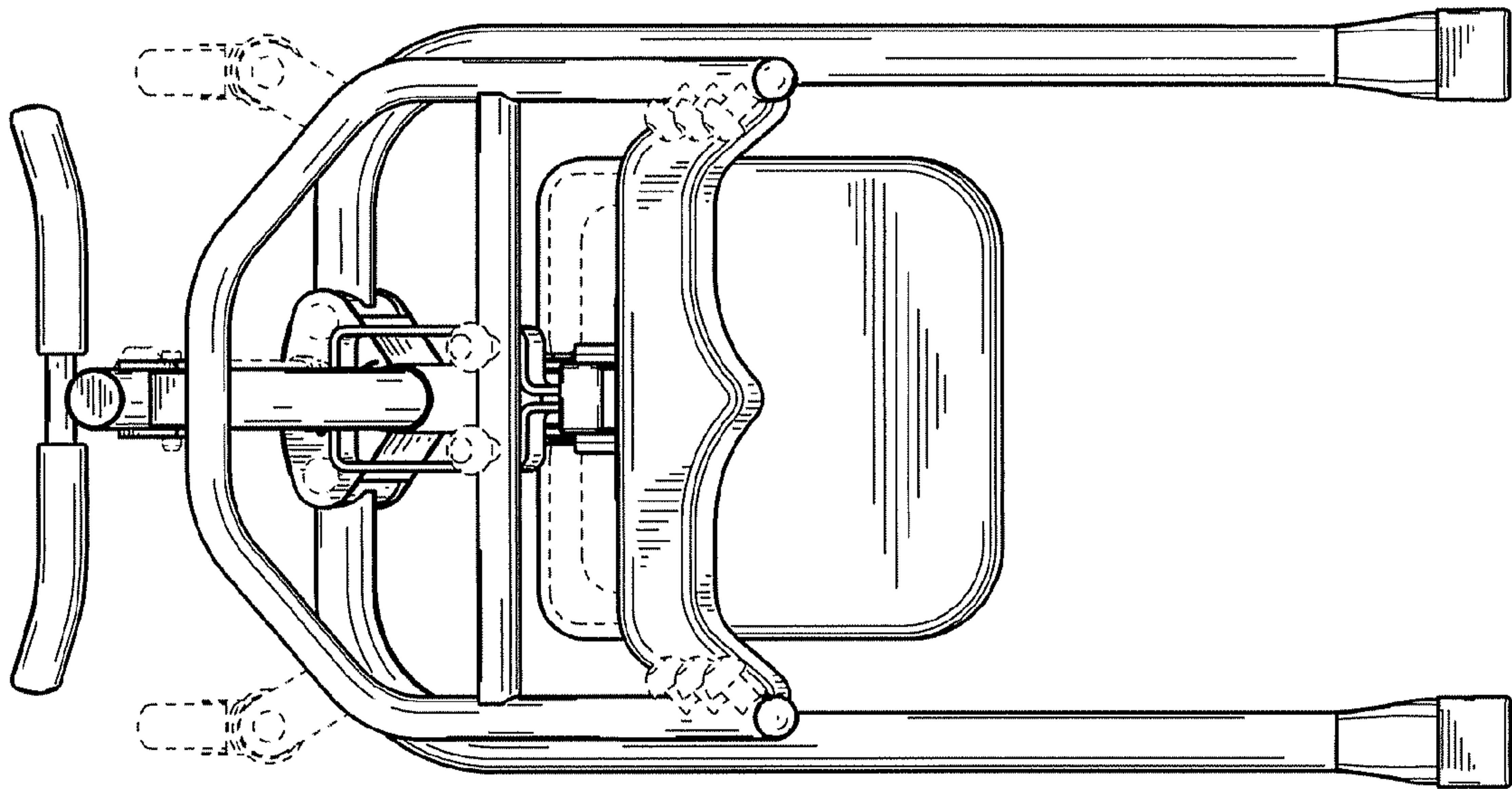


Fig. 6

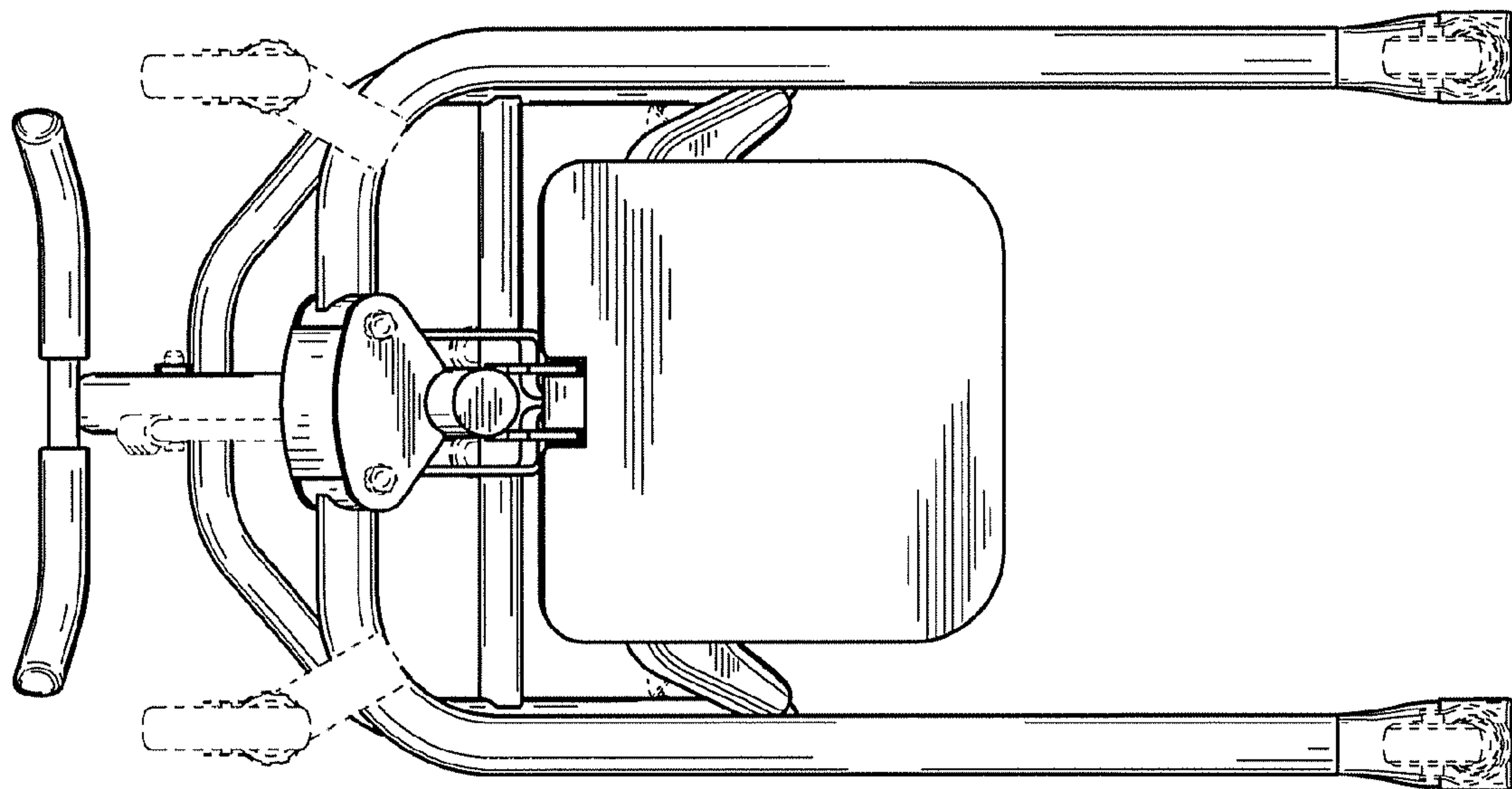


Fig. 7