

US00D590564S

(12) **United States Design Patent**  
**Dretzka**

(10) **Patent No.:** **US D590,564 S**  
(45) **Date of Patent:** **\*\* Apr. 14, 2009**

(54) **WASTEPAPER BASKET**  
(75) Inventor: **Philip C. Dretzka**, Mariemont, OH (US)  
(73) Assignee: **InterDesign, Inc.**, Solon, OH (US)  
(\*\*) Term: **14 Years**

D538,992 S \* 3/2007 Snell ..... D34/1  
D543,326 S \* 5/2007 Dretzka ..... D34/1  
D543,327 S \* 5/2007 Snell ..... D34/1  
D550,509 S \* 9/2007 Dretzka ..... D7/523  
D552,422 S \* 10/2007 Dretzka ..... D7/523  
D554,822 S \* 11/2007 Dretzka ..... D34/1  
D559,493 S \* 1/2008 Dretzka ..... D34/1

(21) Appl. No.: **29/307,014**  
(22) Filed: **Mar. 27, 2008**

**OTHER PUBLICATIONS**

2006 InterDesign, Inc. product brochure, p. 2, 3, 4, 6, 9, 11, 60 w/front & back cover.

(51) **LOC (9) Cl.** ..... **09-09**  
(52) **U.S. Cl.** ..... **D34/1**  
(58) **Field of Classification Search** ..... D34/1;  
D7/523, 509, 396.2, 500, 510, 524, 526-528,  
D7/530, 531, 532; 220/908-913, 495.04,  
220/560, 592.16, 592.17, 703; D9/500, 502,  
D9/516, 519, 549, 555, 776, 778; D19/85  
See application file for complete search history.

\* cited by examiner

*Primary Examiner*—Cynthia E Ramirez  
(74) *Attorney, Agent, or Firm*—D. Peter Hochberg; Sean F. Mellino; Daniel J. Smola

(56) **References Cited**

(57) **CLAIM**

The ornamental design for a wastepaper basket, as shown and described.

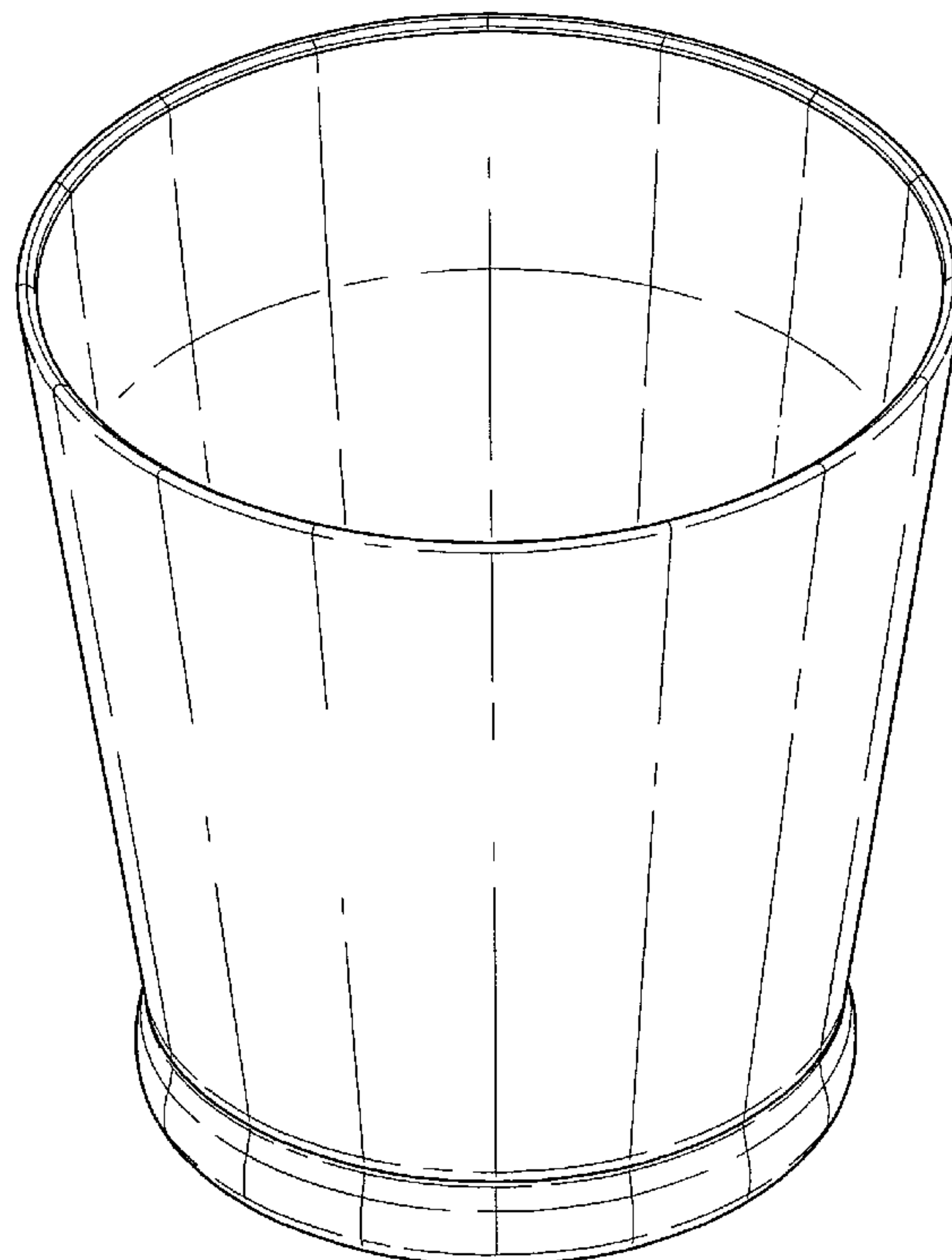
**U.S. PATENT DOCUMENTS**

**DESCRIPTION**

3,215,325 A \* 11/1965 Shappell et al. .... 229/400  
3,363,820 A \* 1/1968 Schilling ..... 229/400  
4,197,948 A \* 4/1980 Amberg et al. .... 206/520  
D337,187 S 7/1993 Hampshire  
D343,485 S 1/1994 Hampshire  
5,775,577 A \* 7/1998 Titus ..... 229/403  
6,142,331 A \* 11/2000 Breining et al. .... 220/62.12  
D472,427 S \* 4/2003 Dretzka ..... D7/523  
D489,501 S 5/2004 Dretzka  
D490,582 S 5/2004 Dretzka  
D502,365 S \* 3/2005 Dretzka ..... D7/523

FIG. 1 is a perspective view of the wastepaper basket according to the invention;  
FIG. 2 is a front view of the wastepaper basket as shown in FIG. 1;  
FIG. 3 is a top view of the wastepaper basket as shown in FIG. 1; and,  
FIG. 4 is a bottom view of the wastepaper basket as shown in FIG. 1;

**1 Claim, 3 Drawing Sheets**



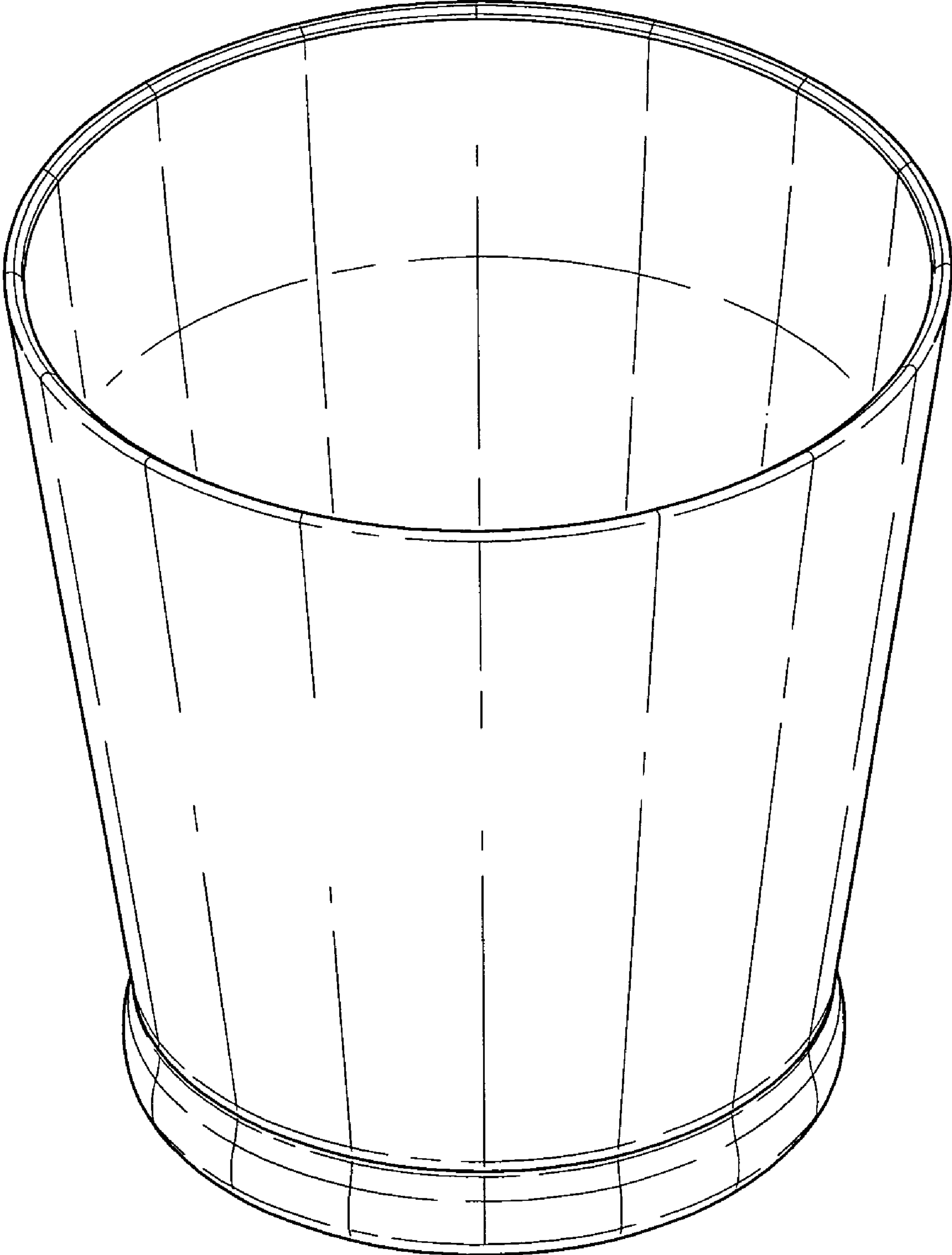


FIG-1

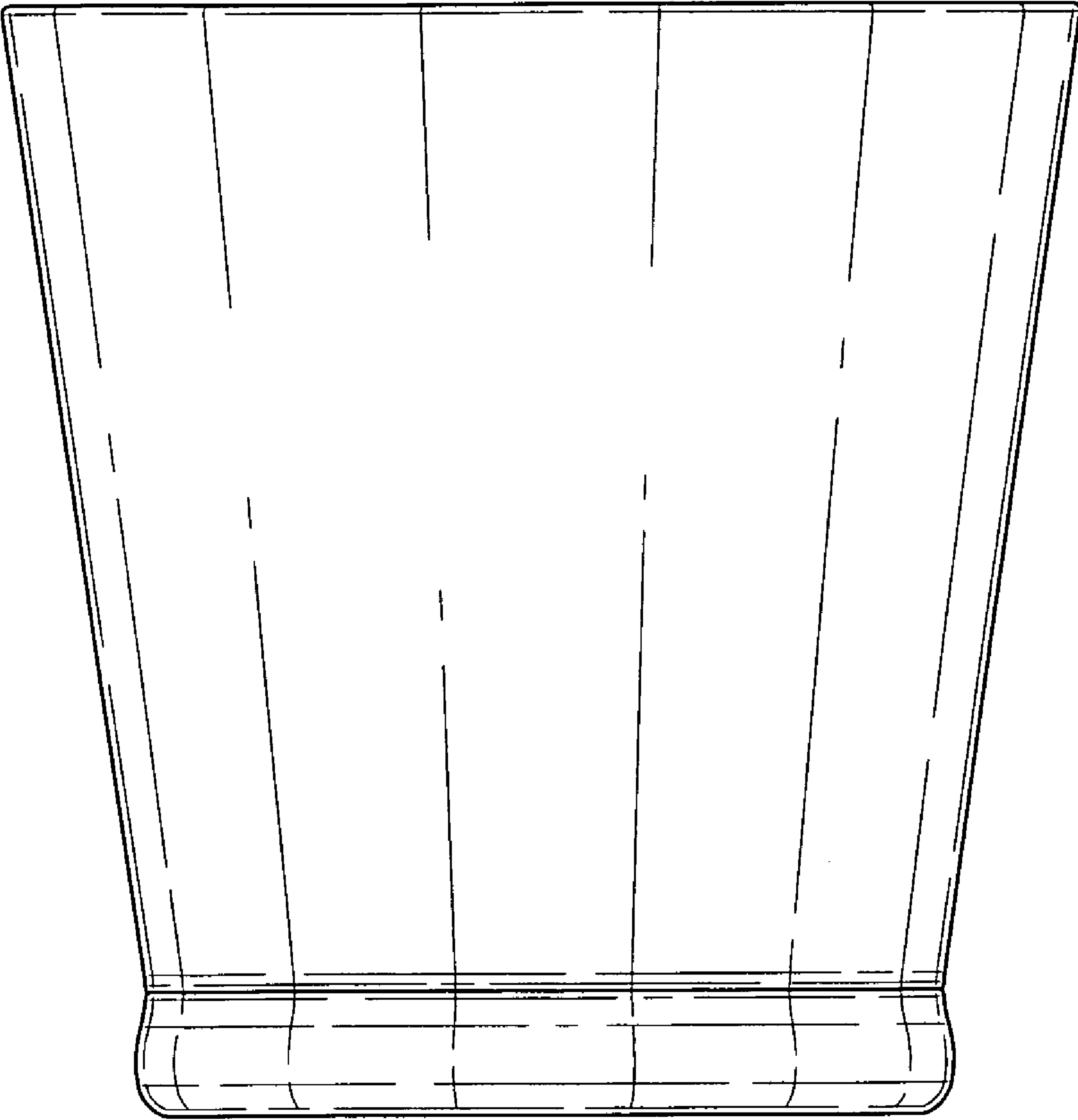


FIG-2

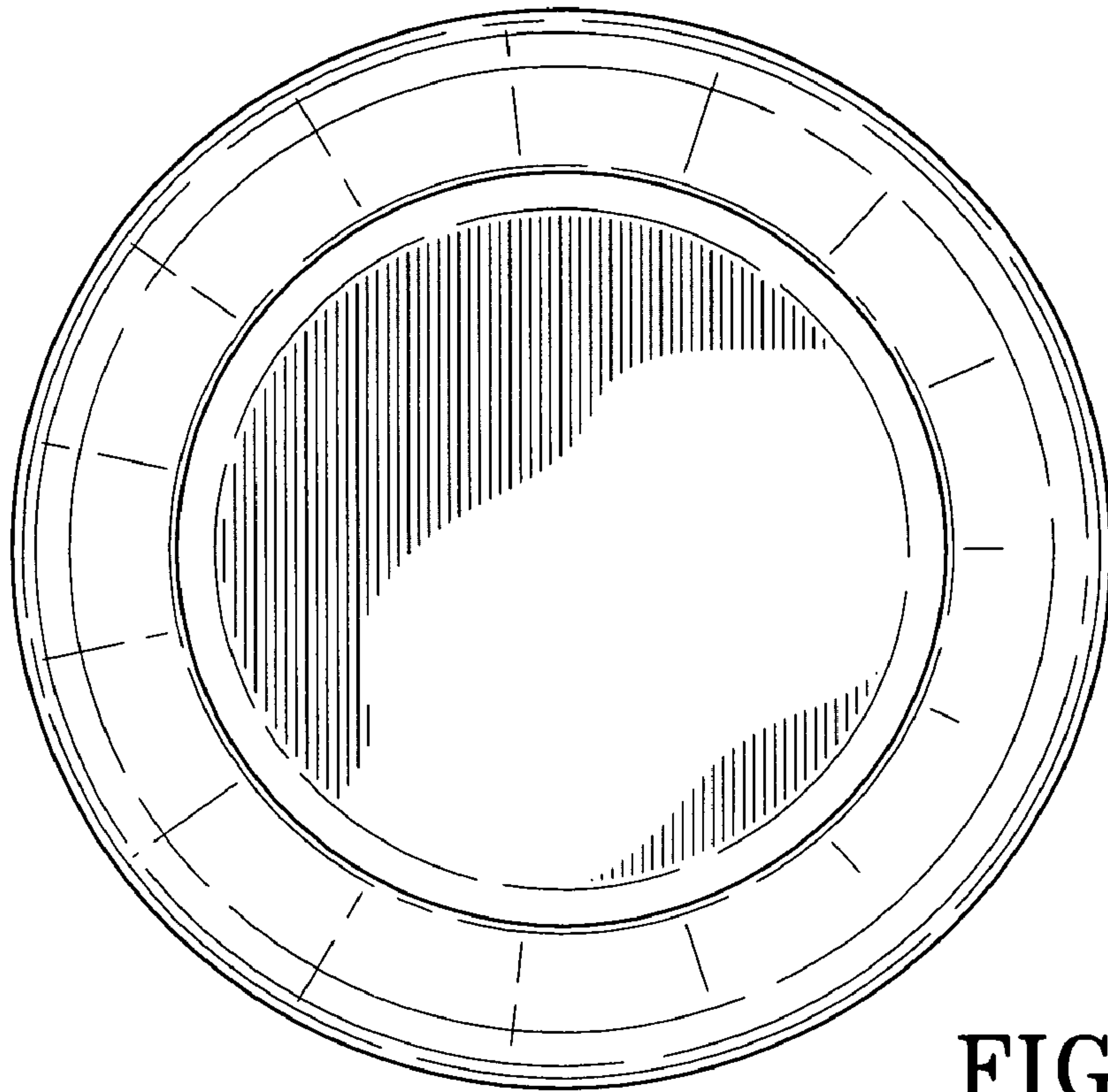


FIG-3

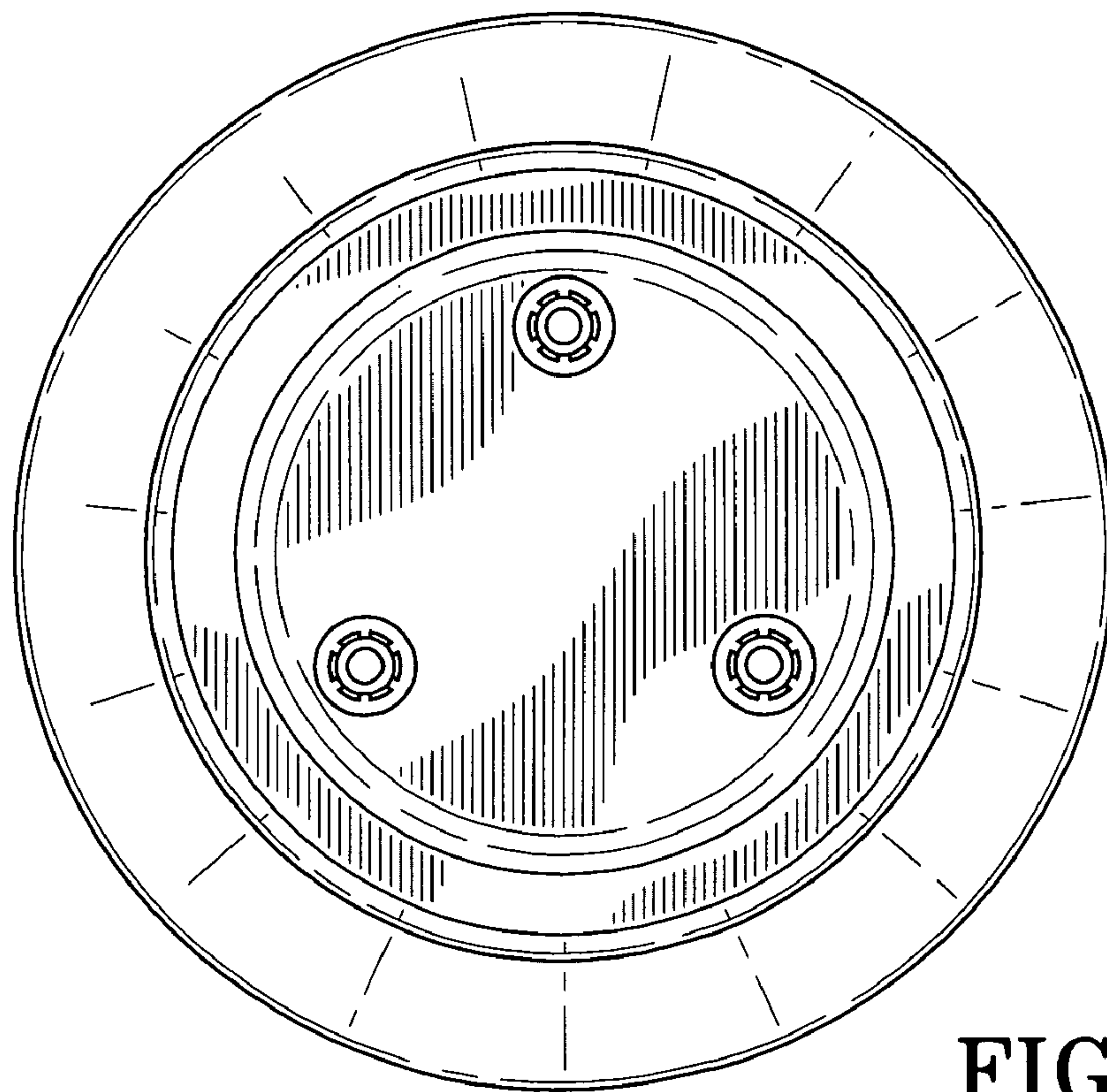


FIG-4