



US00D590563S

(12) **United States Design Patent**  
**Lin et al.**

(10) **Patent No.:** **US D590,563 S**  
(45) **Date of Patent:** **\*\* Apr. 14, 2009**

(54) **STEAM IRON**

(76) Inventors: **Chun-Liang Lin**, 1F-2, No. 285, Chung Shan Road, Lin Kou Hsiang, Taipei Hsien (TW); **Yu Wang**, 1F-2, No. 285, Chung Shan Road, Lin Kou Hsiang, Taipei Hsien (TW)

(\*\*) Term: **14 Years**

(21) Appl. No.: **29/328,846**

(22) Filed: **Dec. 3, 2008**

(51) **LOC (9) Cl.** ..... **07-05**

(52) **U.S. Cl.** ..... **D32/69**

(58) **Field of Classification Search** ..... D32/68-72;  
38/74-75, 77.1, 77.8-77.9, 88, 90, 93; 219/245-248,  
219/252

See application file for complete search history.

(56) **References Cited**

**U.S. PATENT DOCUMENTS**

- D214,585 S \* 7/1969 Benjamin ..... D32/69
- D230,458 S \* 2/1974 Hall ..... D32/69
- D259,463 S \* 6/1981 Szymanski ..... D32/69
- D283,744 S \* 5/1986 Watanabe et al. .... D32/69

- D459,045 S \* 6/2002 Figur et al. .... D32/70
- D466,260 S \* 11/2002 Wu ..... D32/69
- D511,232 S \* 11/2005 Barquin Santillan et al. . D32/69
- D568,017 S \* 4/2008 Choi ..... D32/35

\* cited by examiner

*Primary Examiner*—Pamela J Burgess  
(74) *Attorney, Agent, or Firm*—Leong C. Lei

(57) **CLAIM**

The ornamental design for a steam iron, as shown and described.

**DESCRIPTION**

FIG. 1 is a perspective view of a steam iron showing my new design;

FIG. 2 is a front elevational view thereof;

FIG. 3 is a rear elevational view thereof;

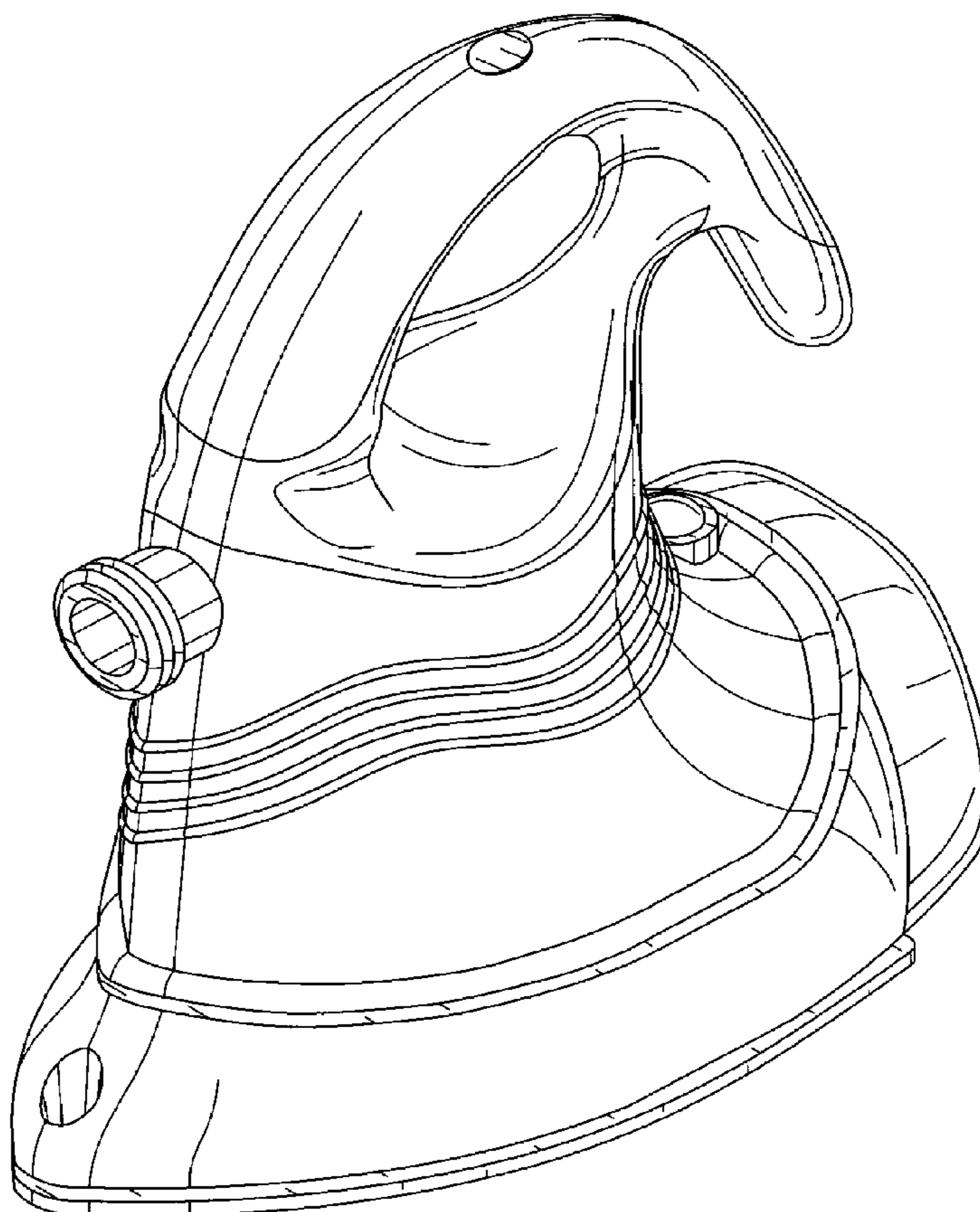
FIG. 4 is a left side elevational view thereof;

FIG. 5 is a right side elevational view thereof;

FIG. 6 is a top plan view thereof; and,

FIG. 7 is a bottom plan view thereof.

**1 Claim, 7 Drawing Sheets**



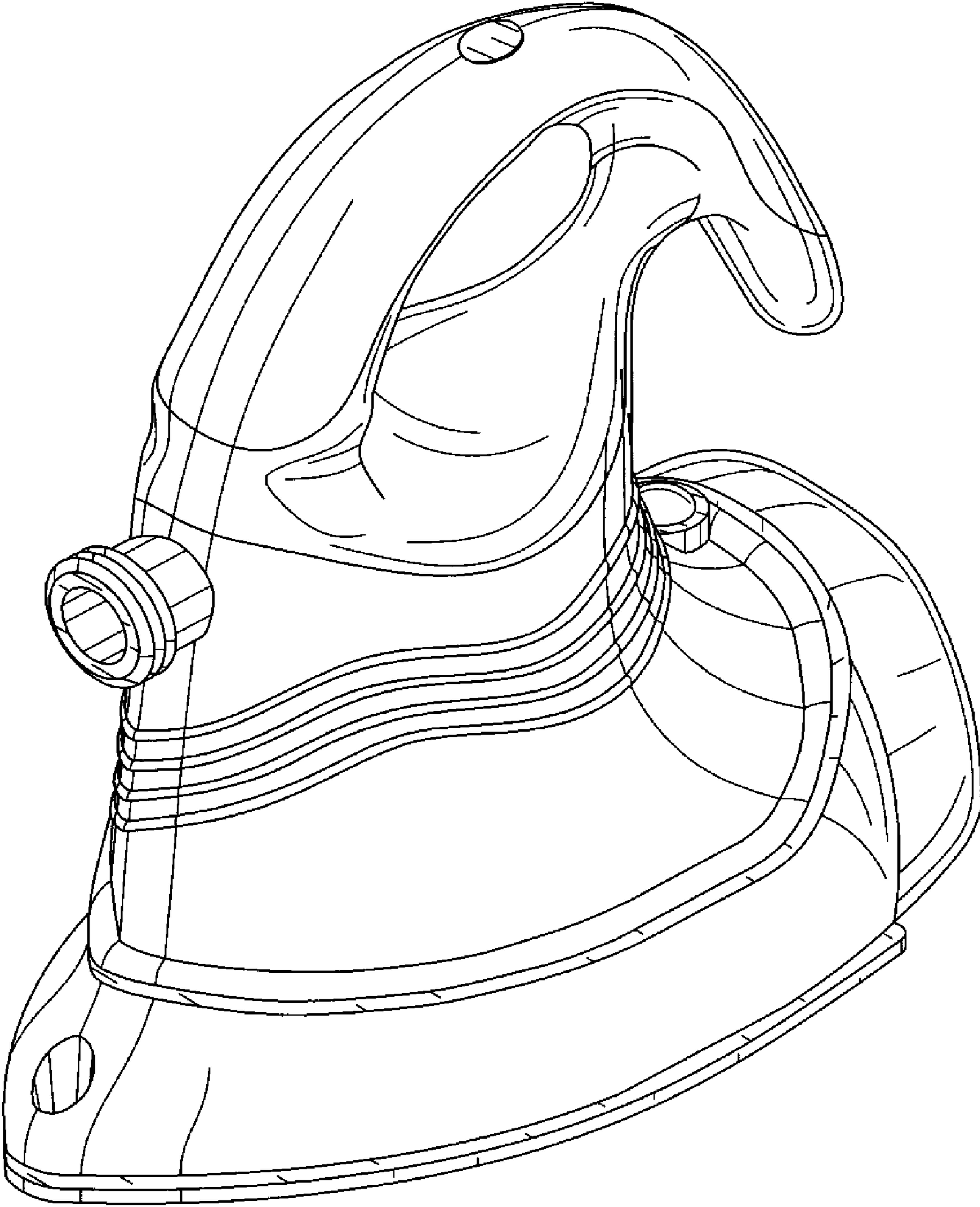


FIG. 1

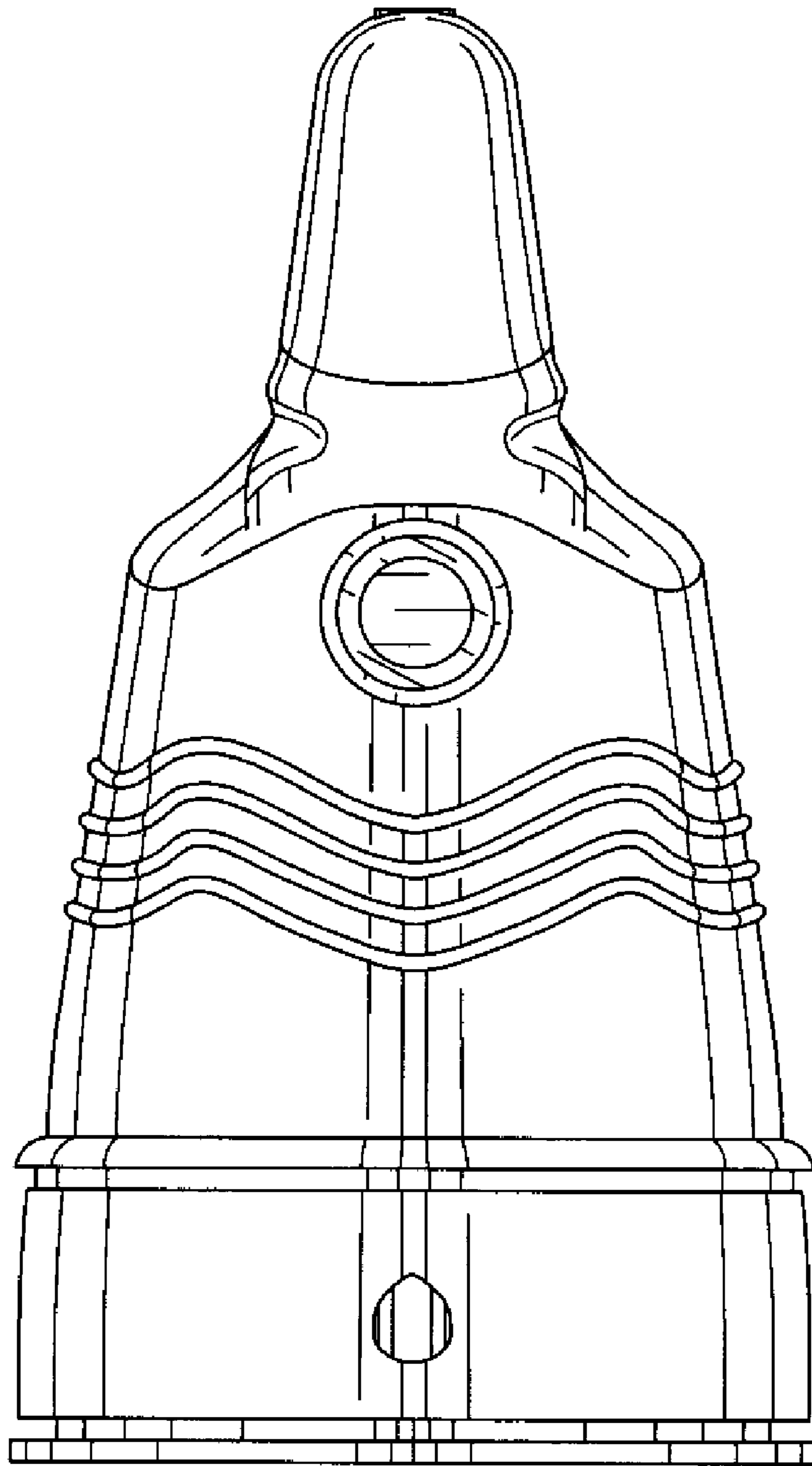


FIG. 2

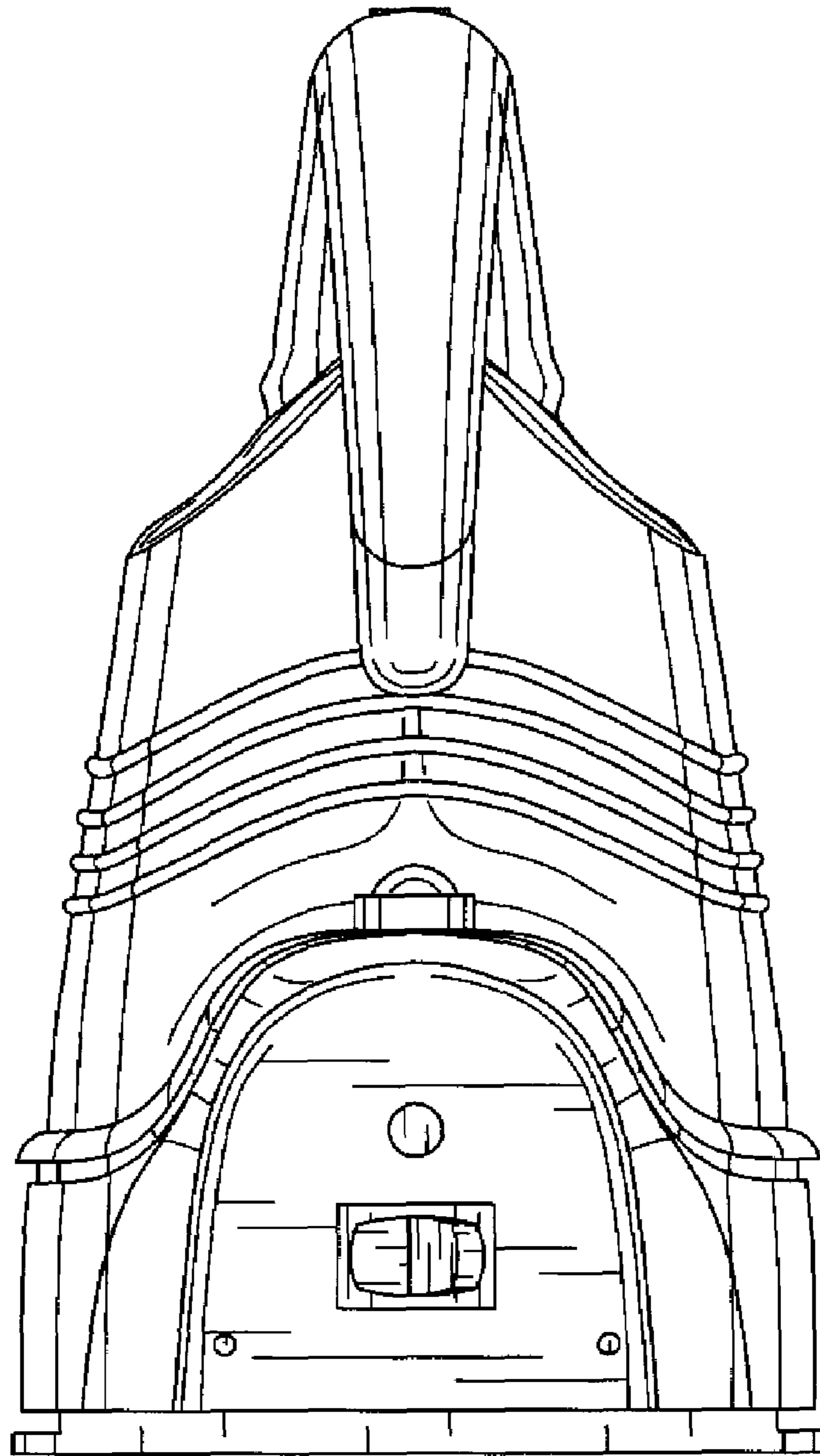


FIG. 3

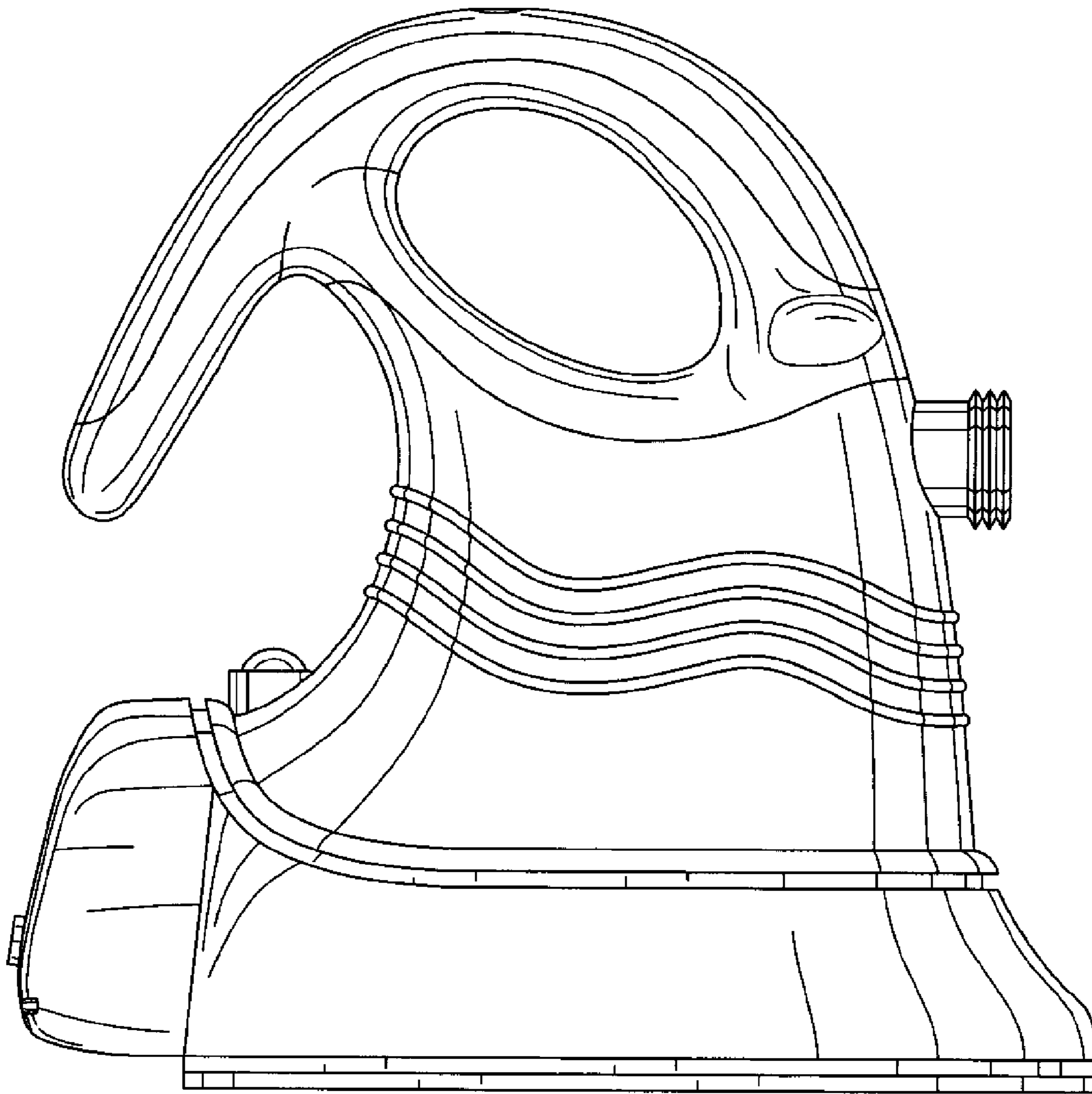


FIG. 4



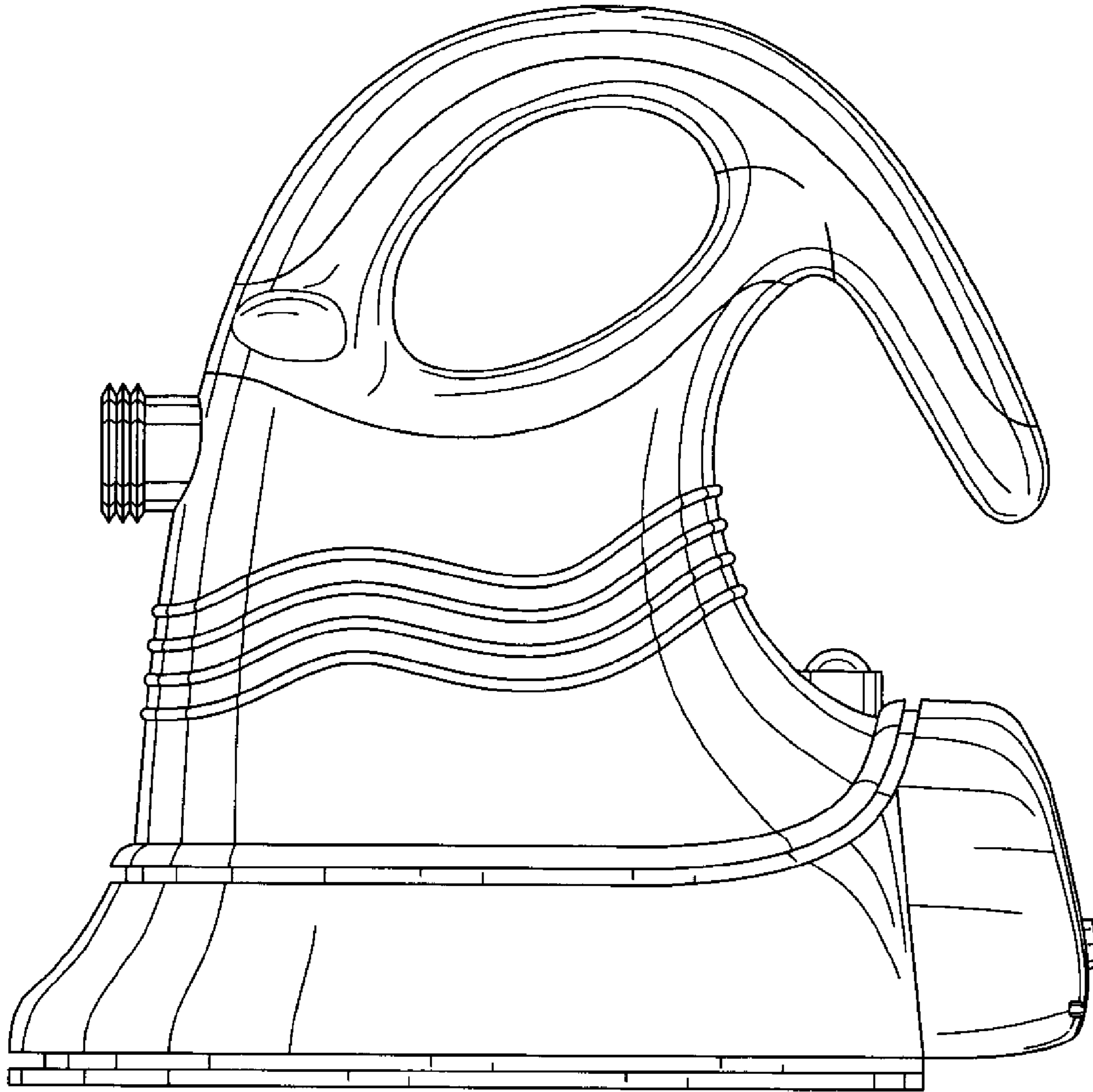


FIG. 5

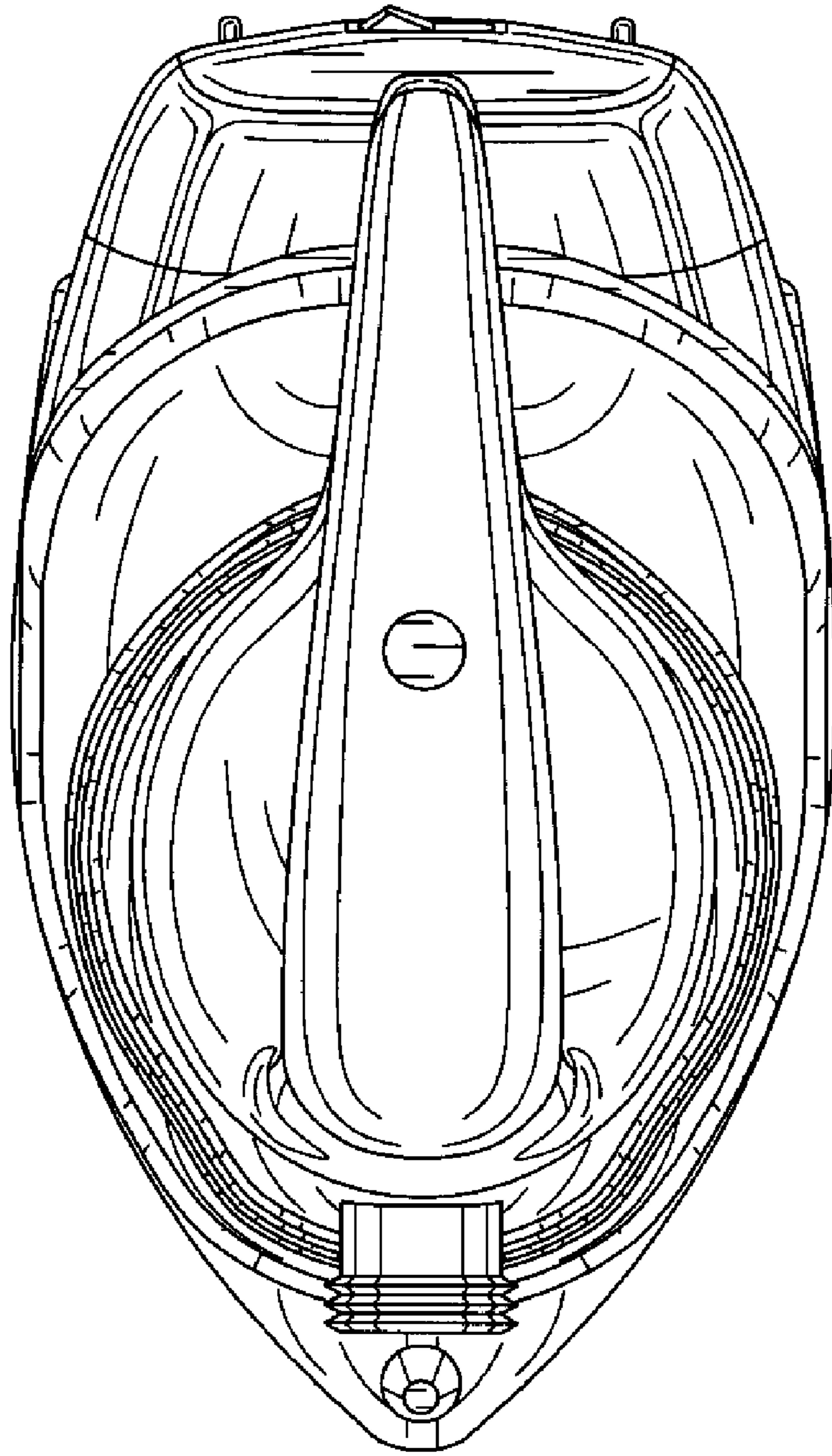


FIG. 6

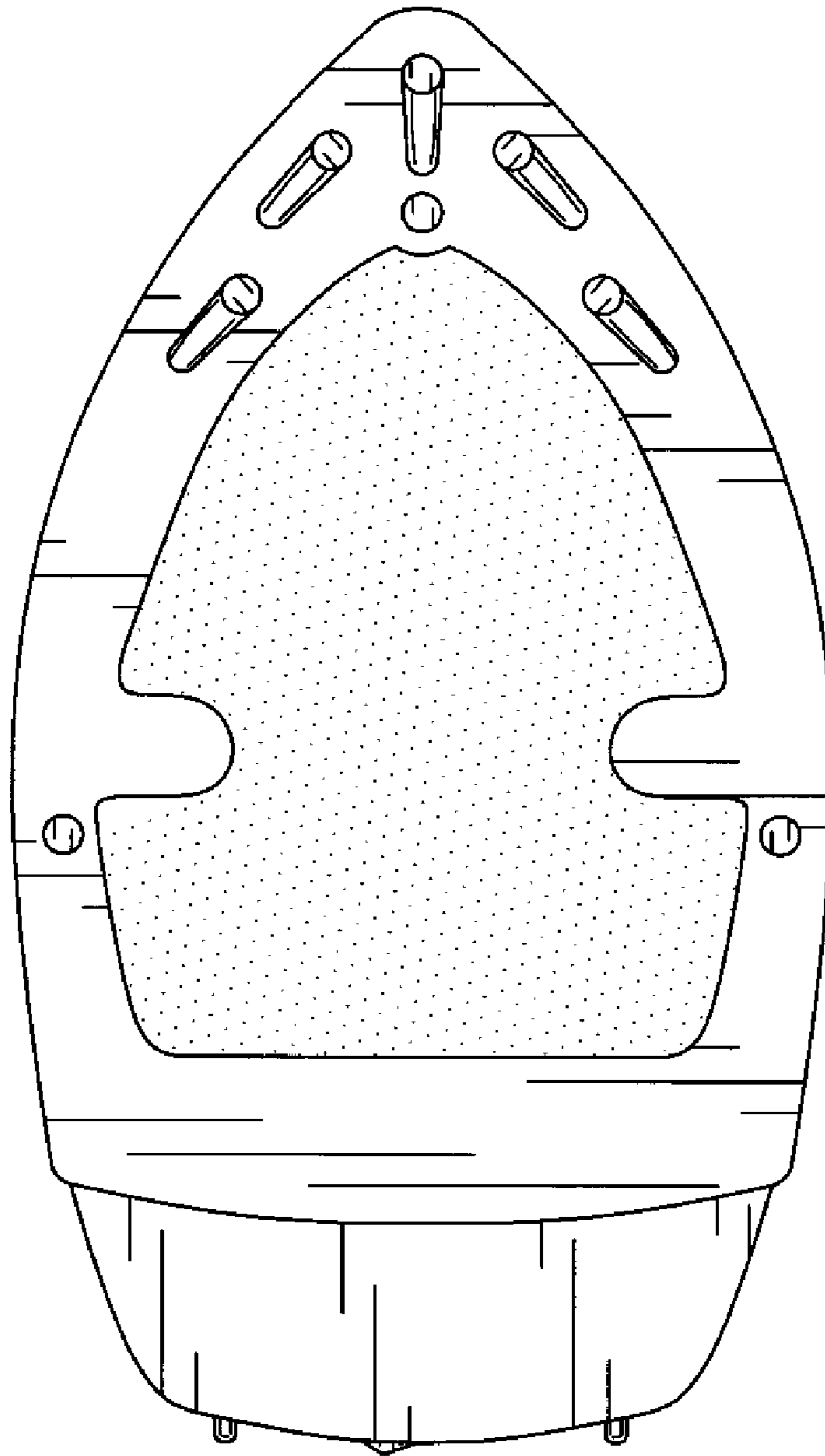


FIG. 7