

US00D590561S

(12) **United States Design Patent**  
**Baltz**

(10) **Patent No.:** **US D590,561 S**

(45) **Date of Patent:** **\*\* Apr. 14, 2009**

(54) **PAIL**

D430,459 S \* 9/2000 Conti ..... D7/615  
D493,929 S \* 8/2004 Schwarz ..... D32/53

(75) Inventor: **Kyle L. Baltz**, Redondo Beach, CA (US)

\* cited by examiner

(73) Assignee: **Rehrig Pacific Company**, Los Angeles, CA (US)

*Primary Examiner*—Robin V Webster

(74) *Attorney, Agent, or Firm*—Carlson, Gaskey & Olds

(\*\*) Term: **14 Years**

(57) **CLAIM**

(21) Appl. No.: **29/318,991**

I claim the ornamental design for a pail, as shown and described.

(22) Filed: **Jun. 2, 2008**

(51) **LOC (9) Cl.** ..... **07-07**

(52) **U.S. Cl.** ..... **D32/53**

(58) **Field of Classification Search** ..... D32/53,  
D32/53.1, 54; 220/904, 270, 4.01, 4.24,  
220/553, 555, 23.8; 15/264

See application file for complete search history.

**DESCRIPTION**

FIG. 1 is a perspective view of an inventive pail with a lid and handle shown in broken lines.

FIG. 2 is a perspective view of the pail.

FIG. 3 is a side view of the pail, which is identical to the opposite side.

FIG. 4 is a front view of the pail, which is identical to the rear.

FIG. 5 is a top view of the pail; and,

FIG. 6 is a bottom view of the pail.

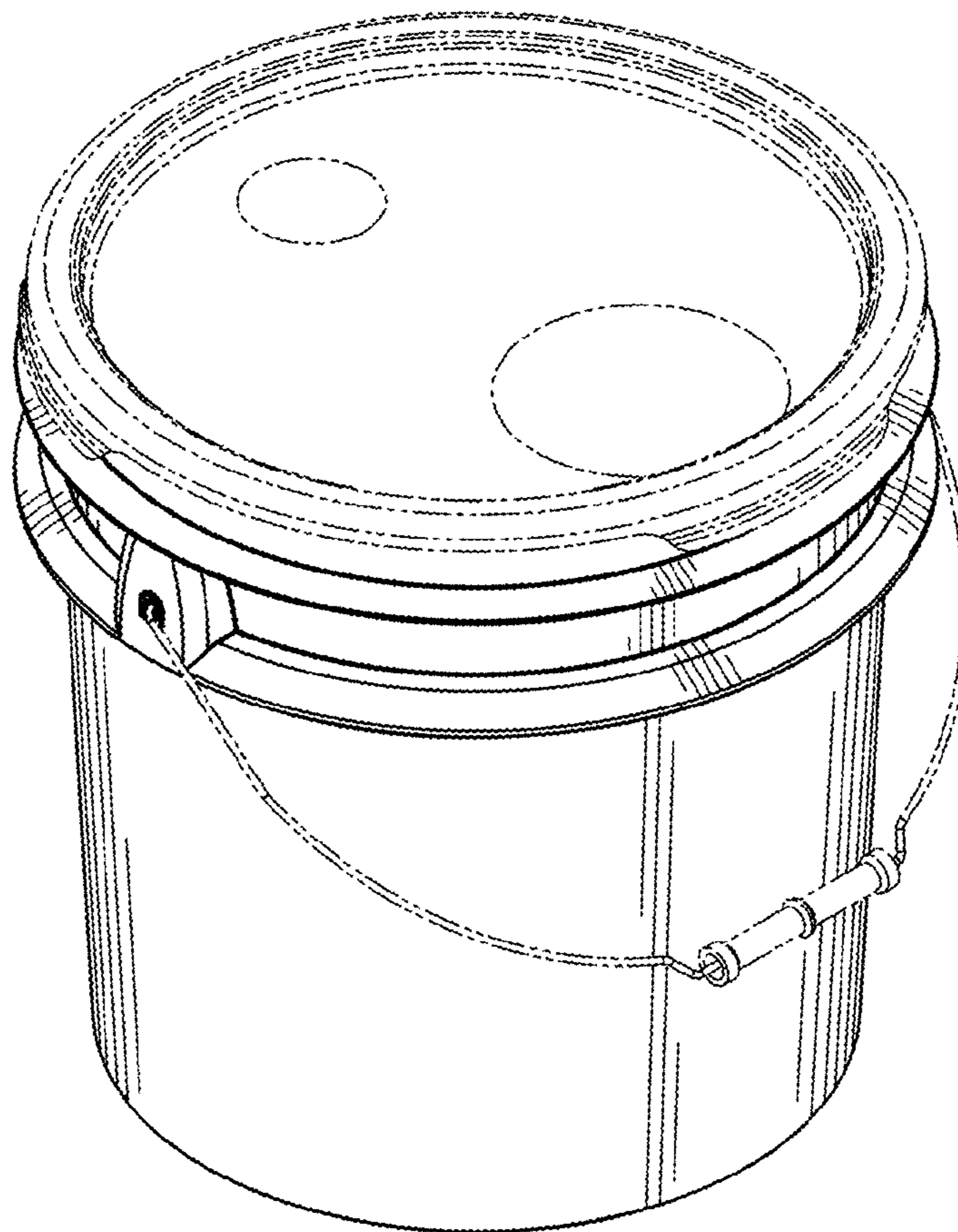
The broken lines shown herein are for illustrative purposes only and form no part of the claimed design.

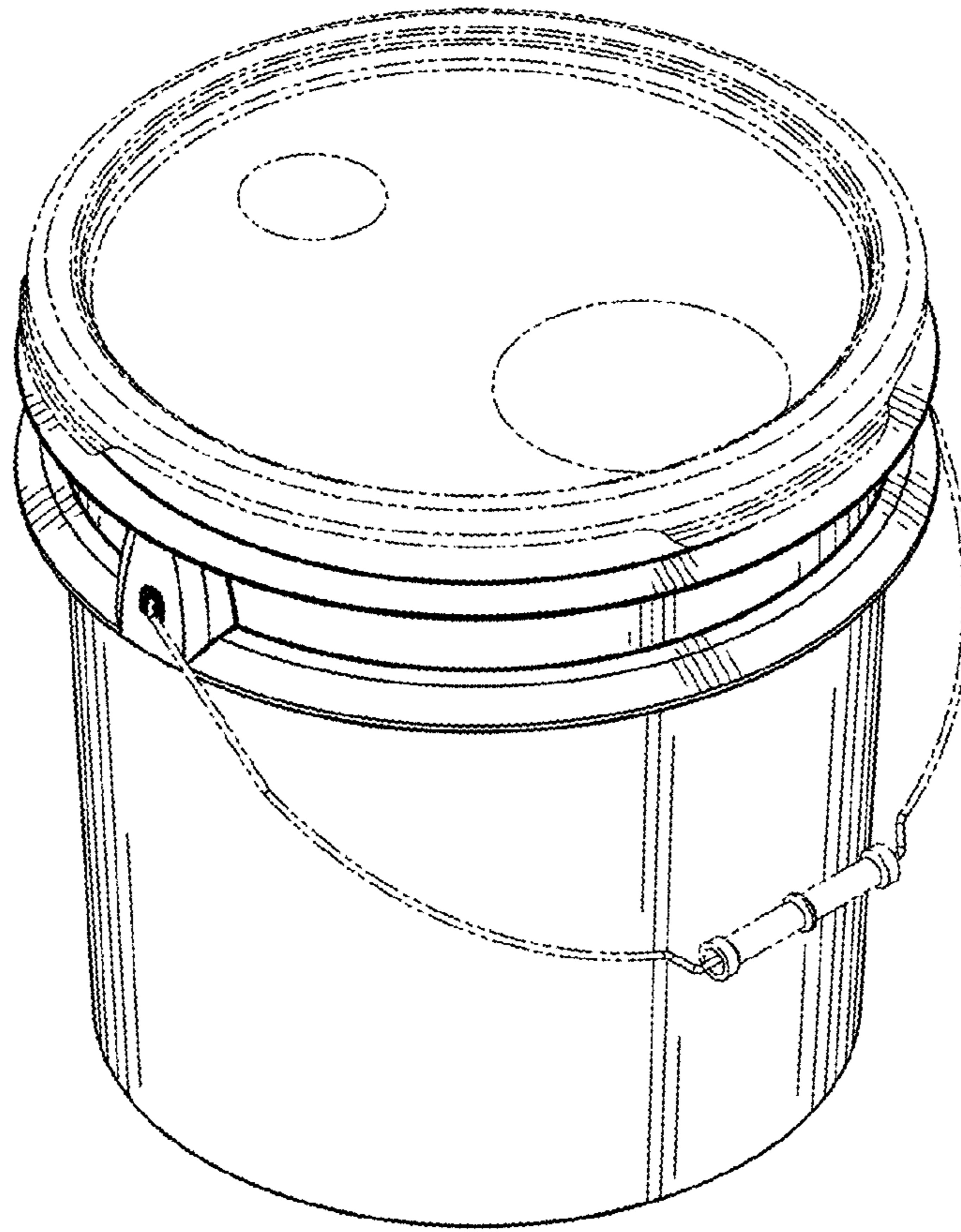
(56) **References Cited**

**U.S. PATENT DOCUMENTS**

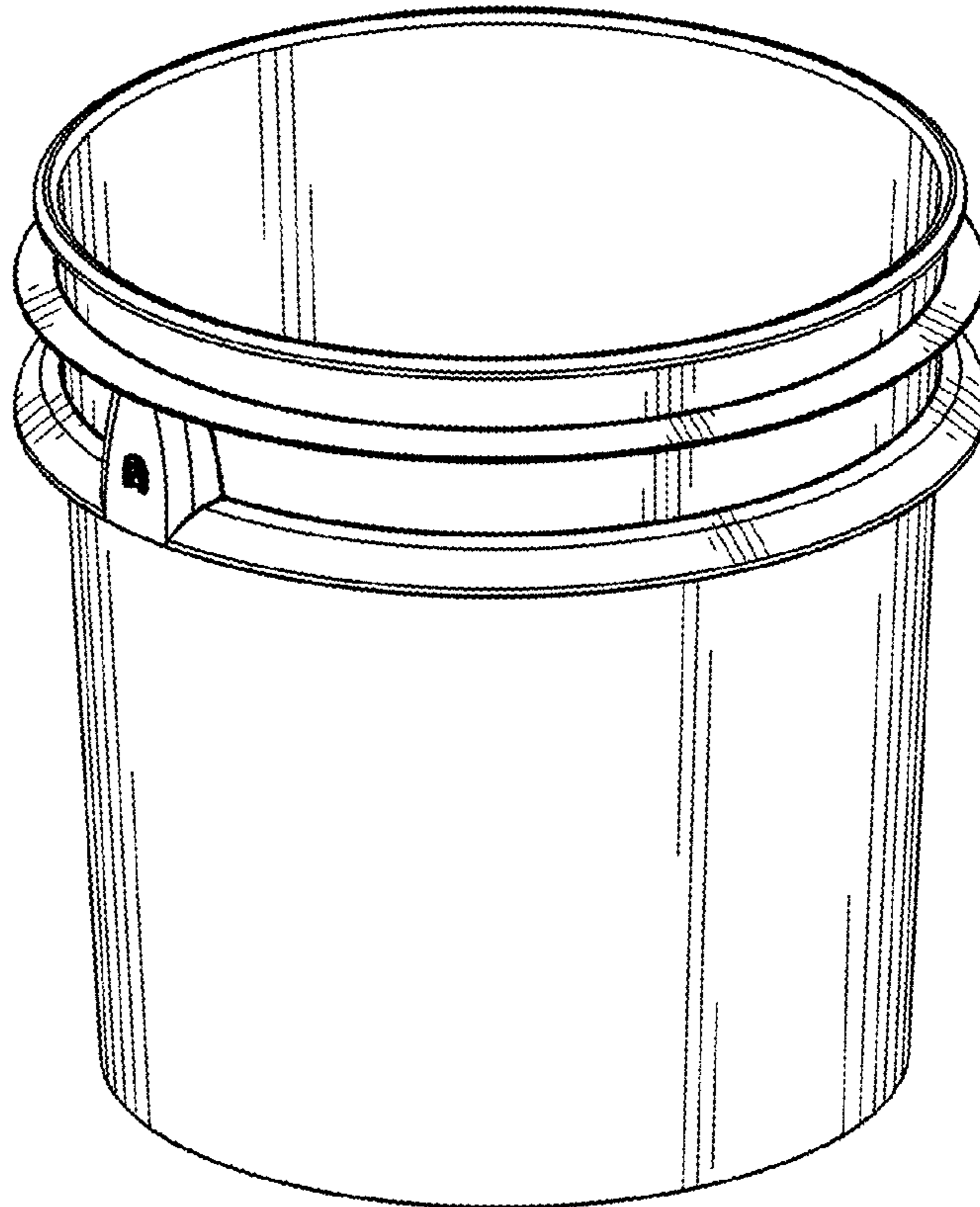
D209,870 S *	1/1968	Yates	.....	D32/53
D220,972 S *	6/1971	Yates	.....	D32/53
D222,981 S *	2/1972	Yates	.....	D32/53
D350,900 S *	9/1994	Goetz	.....	D9/502
D352,143 S *	11/1994	Arshinoff	.....	D32/53
5,513,770 A *	5/1996	Seeley et al.	.....	220/729

**1 Claim, 3 Drawing Sheets**

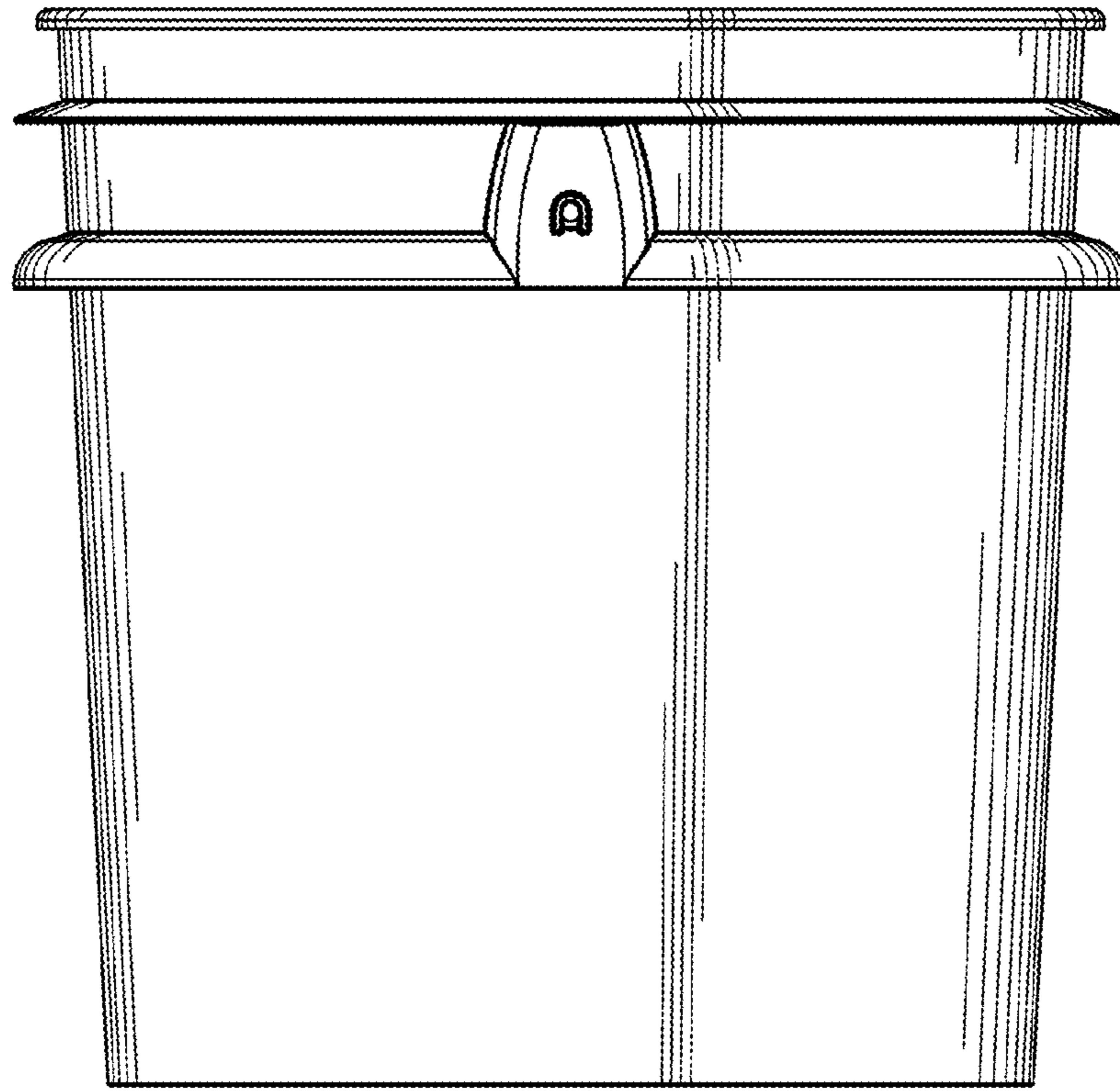




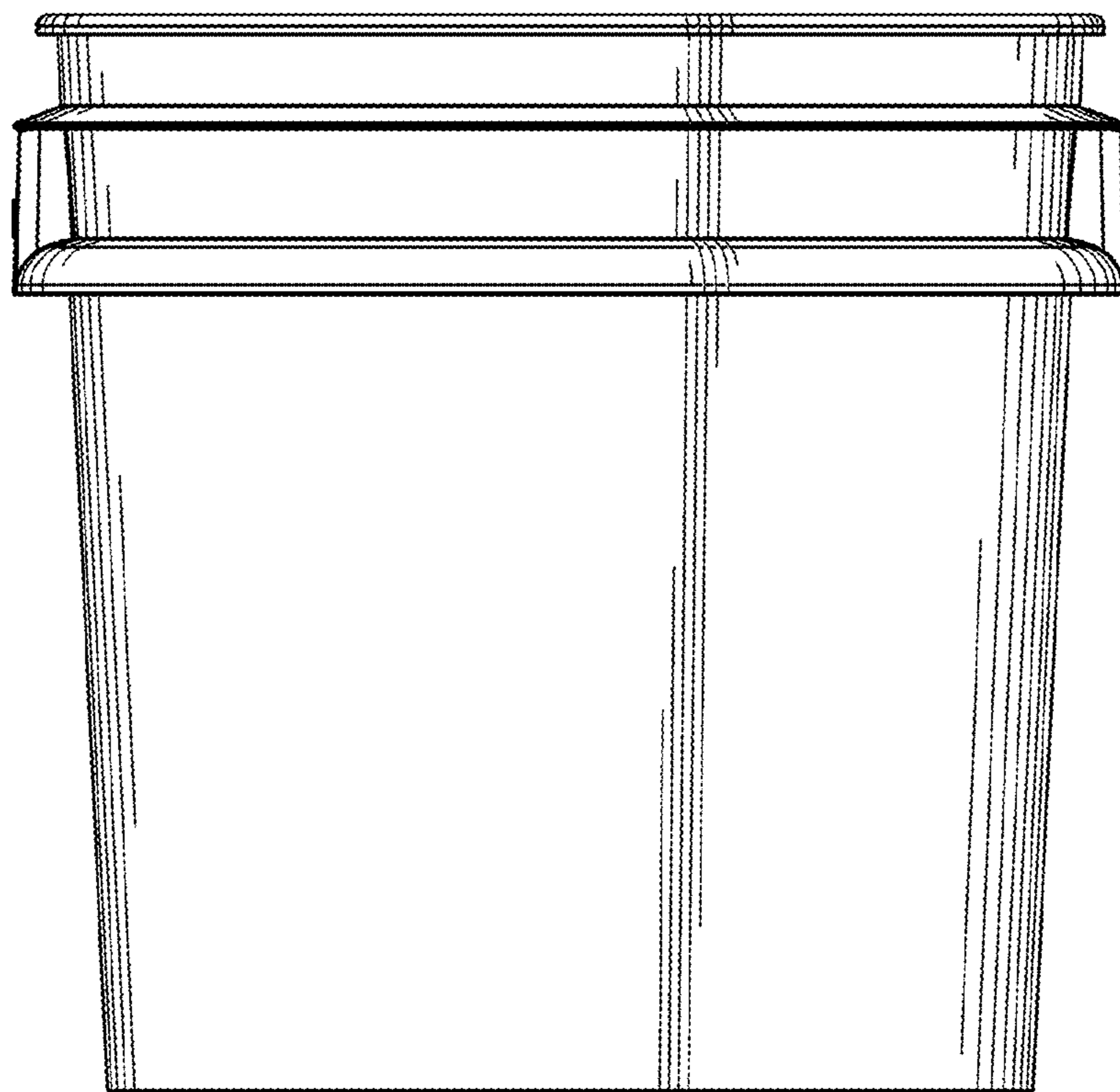
*Fig. 1*



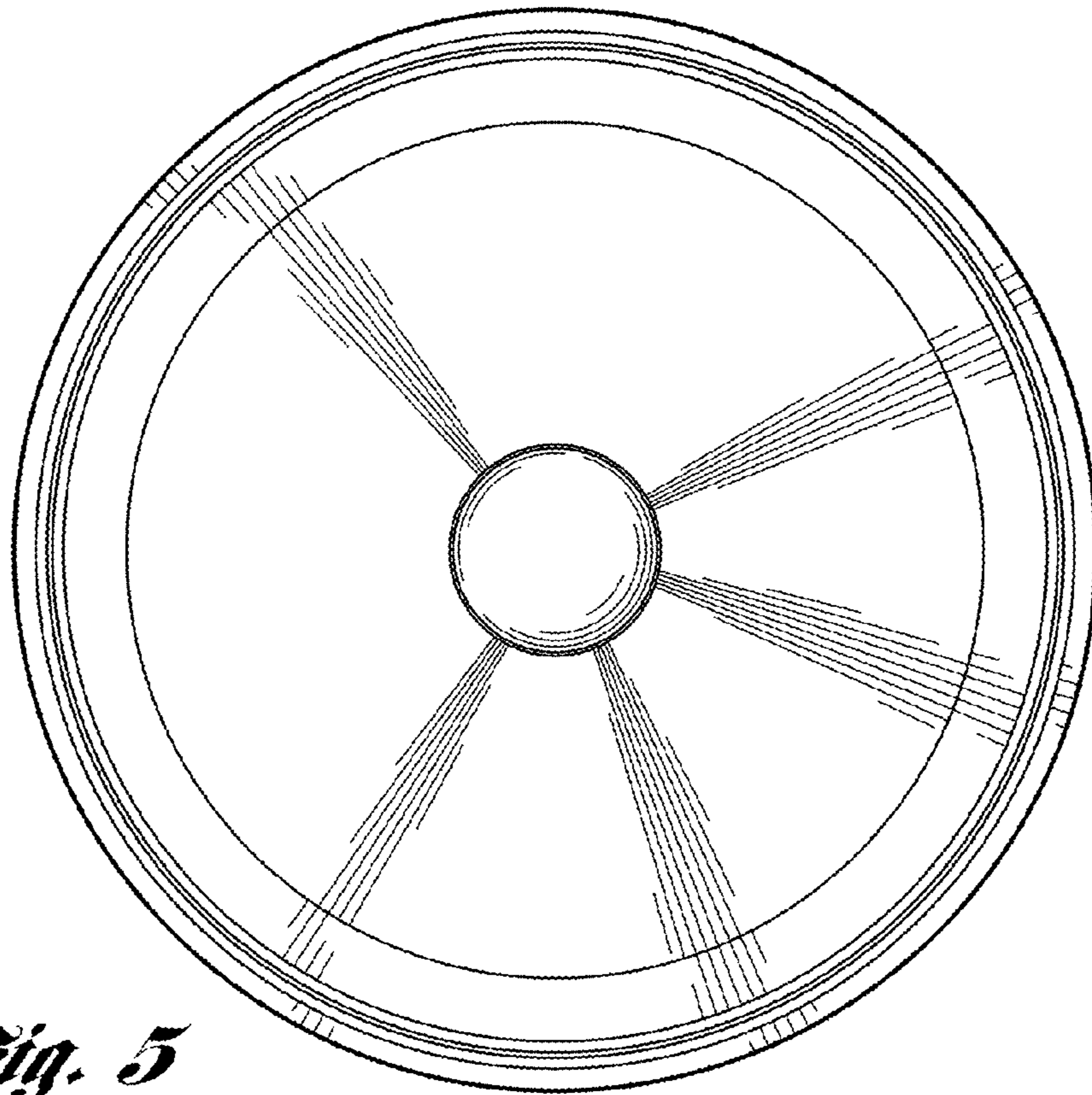
*Fig. 2*



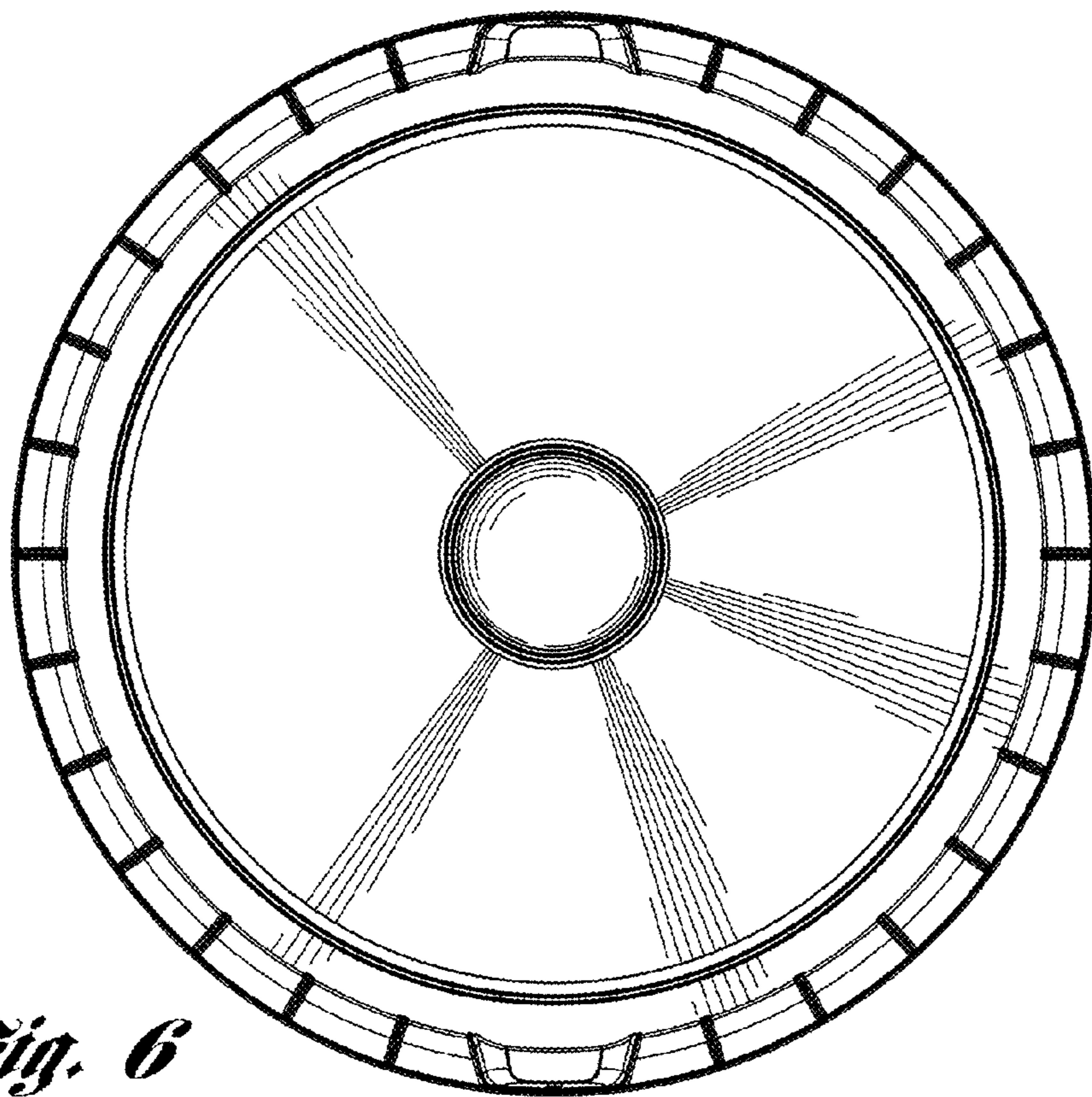
*Fig. 3*



*Fig. 4*



*Fig. 5*



*Fig. 6*