



US00D590559S

(12) **United States Design Patent**
Watkins

(10) **Patent No.:** **US D590,559 S**

(45) **Date of Patent:** **** Apr. 14, 2009**

(54) **SCRAPER BASE**

(76) **Inventor:** **Murray Gordon Watkins, 2/29A**
Monntgomery Crescent, UpperHutt,
Wellington (NZ) 6007

(**) **Term:** **14 Years**

(21) **Appl. No.:** **29/247,793**

(22) **Filed:** **Jul. 12, 2006**

(51) **LOC (9) Cl.** **08-05**

(52) **U.S. Cl.** **D32/49**

(58) **Field of Classification Search** D32/40-42;
15/208, 209 R, 117-118, 121, 220 R, 244.1-244.2,
15/212, 236.01-236.02, 245; D8/90, 45
See application file for complete search history.

(56) **References Cited**

U.S. PATENT DOCUMENTS

1,241,779	A *	10/1917	Suydam	15/236.08
2,440,099	A *	4/1948	Kind	15/245
4,106,151	A *	8/1978	Cowdery et al.	15/42
4,305,175	A *	12/1981	Burgess, Jr.	15/236.02
D287,173	S *	12/1986	Libman	D32/51
D296,946	S *	7/1988	Stirling	D32/41

D303,027	S *	8/1989	Gray	D32/49
D313,295	S *	12/1990	Maertens	D32/42
5,309,598	A *	5/1994	Carpenter	15/236.08
D360,506	S *	7/1995	McPherson	D32/46
D389,625	S *	1/1998	Feldman et al.	D32/49
D391,815	S *	3/1998	Venezio	D8/13
6,045,622	A *	4/2000	Holt et al.	134/6
6,772,466	B2 *	8/2004	Ziegler	15/160
7,069,616	B2 *	7/2006	Watkins	15/236.06

* cited by examiner

Primary Examiner—Pamela J Burgess

(57) **CLAIM**

The ornamental design for a scraper base, as shown and described.

DESCRIPTION

FIG. 1 is an elevated perspective view of the scraper base showing my new design;

FIG. 2 is an end view of the scraper base of FIG. 1;

FIG. 3 is a side view of the scraper base of FIG. 1, the other side being a mirror image thereof; and,

FIG. 4 is a bottom view of the scraper base of FIG. 1.

1 Claim, 2 Drawing Sheets

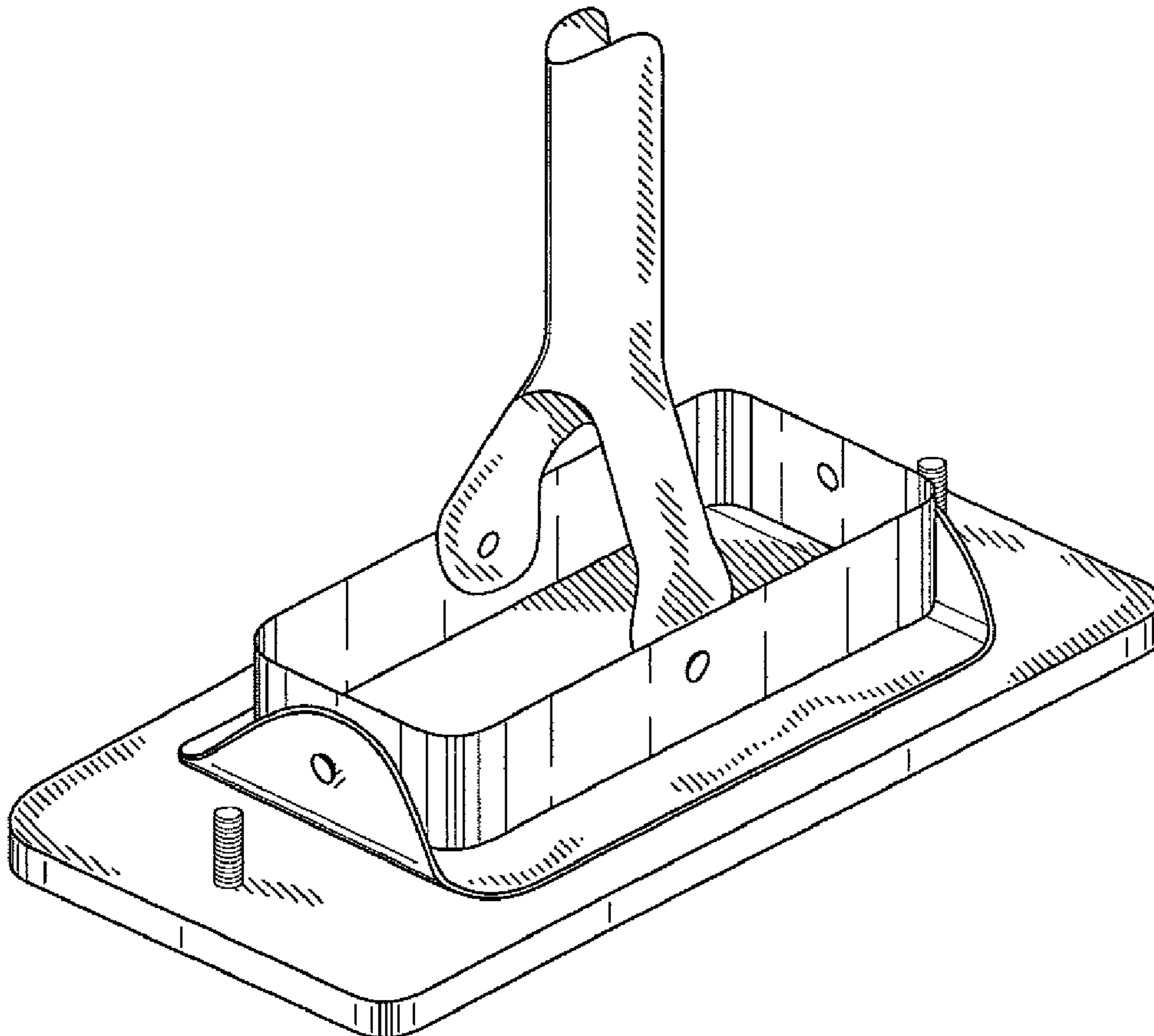


Fig. 1

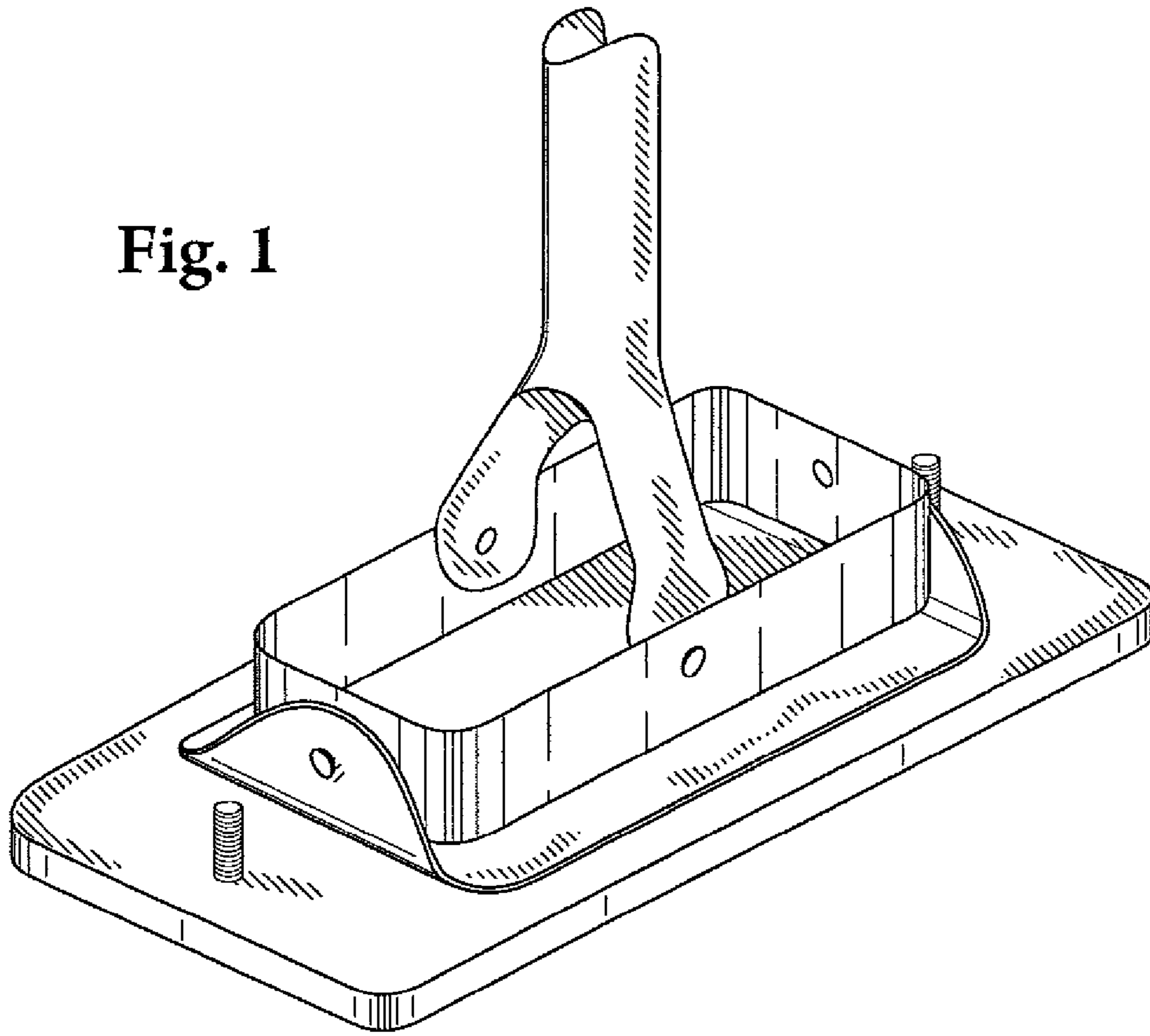
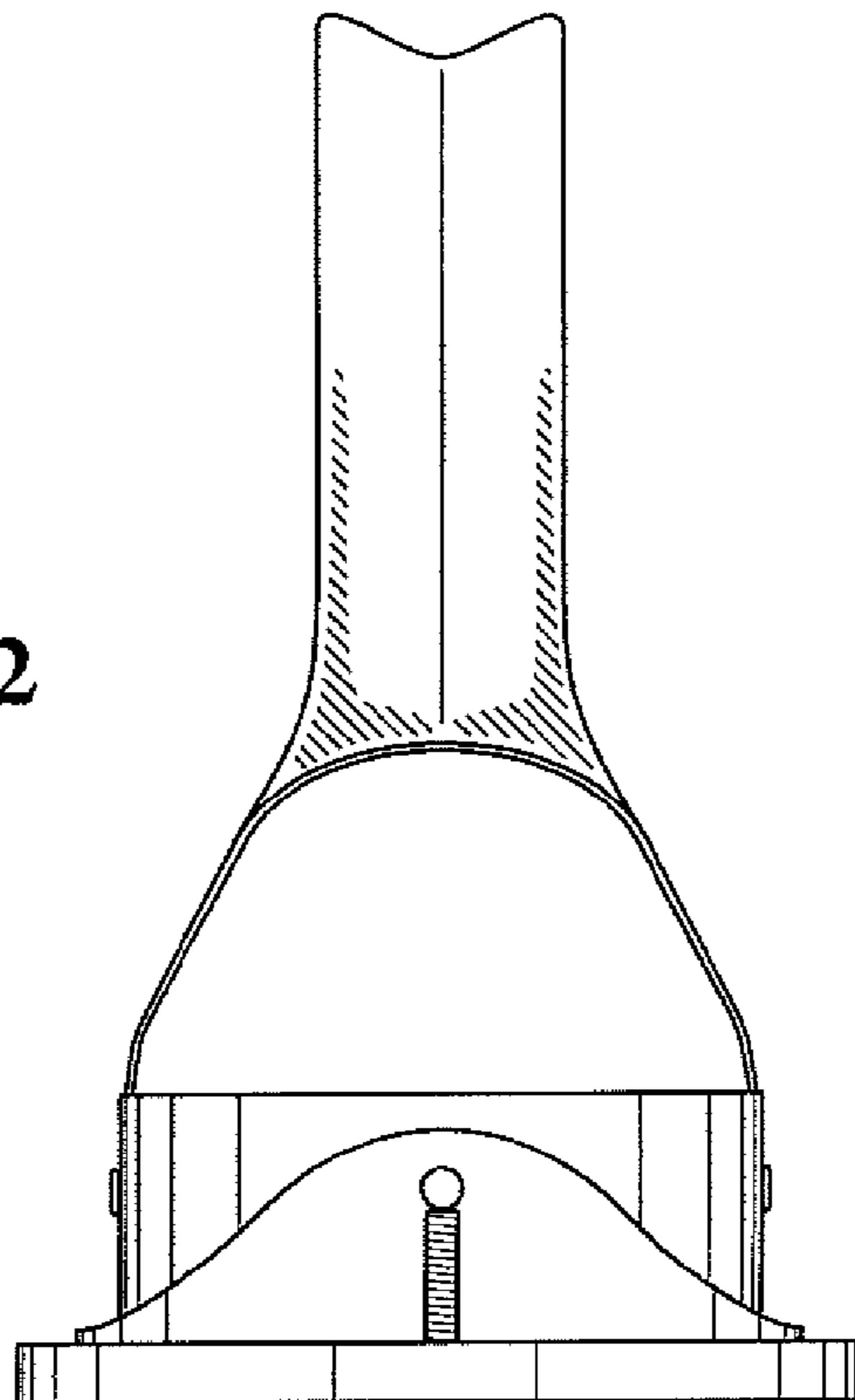


Fig. 2



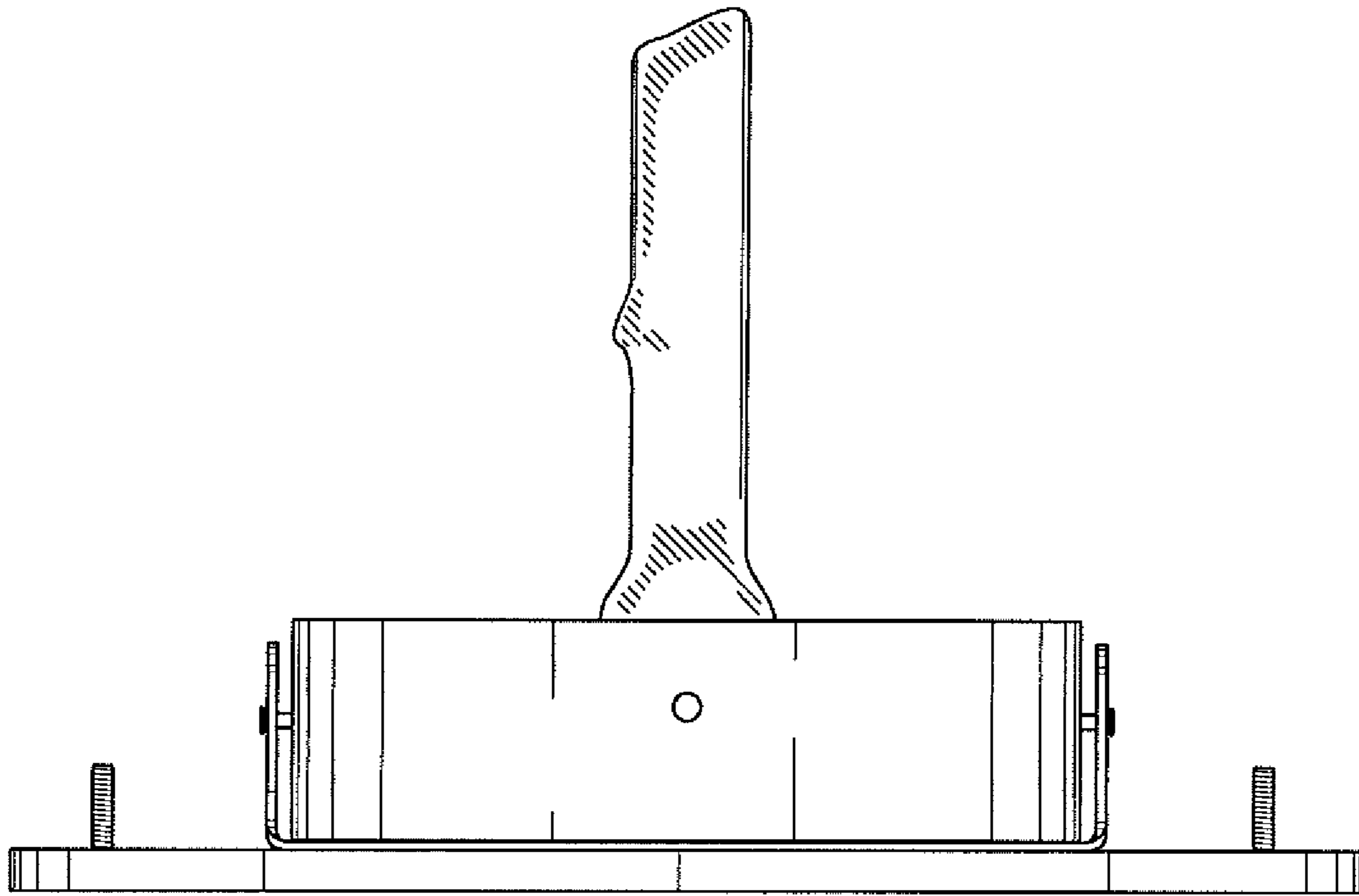


Fig. 3

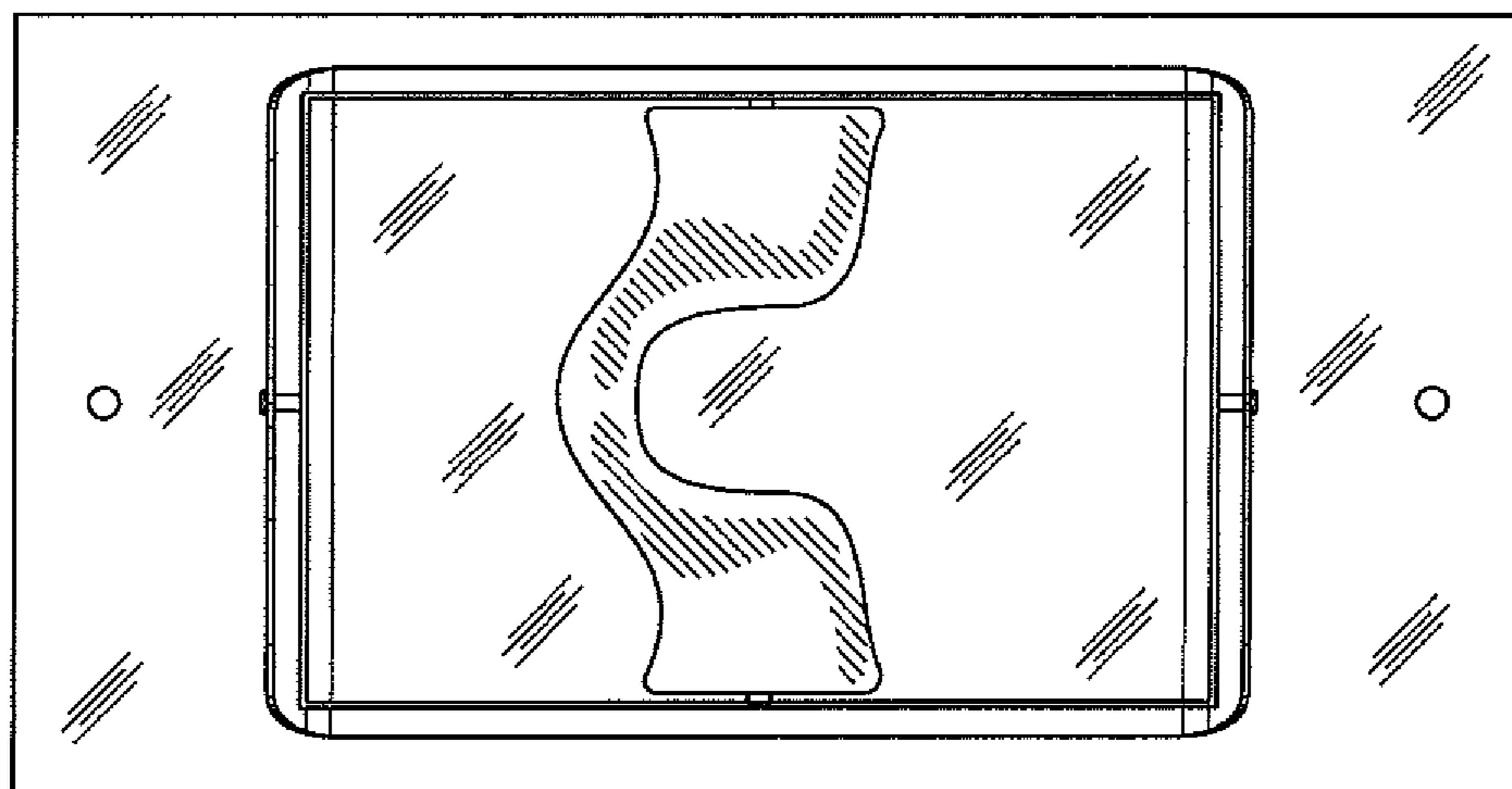


Fig. 4