



US00D590558S

(12) **United States Design Patent**
Tanaka et al.

(10) **Patent No.:** **US D590,558 S**
(45) **Date of Patent:** **** Apr. 14, 2009**

(54) **INSERT PLATE FOR A HANDY MOP**

2004/0034956 A1 2/2004 Tanaka et al.
2005/0005381 A1 1/2005 Tanaka et al.
2005/0144749 A1 7/2005 Yamada

(75) Inventors: **Yoshinori Tanaka**, Kagawa (JP);
Masaho Hayashi, Tokyo (JP);
Toshihiko Uenishi, Tokyo (JP)

FOREIGN PATENT DOCUMENTS

(73) Assignee: **Uni-Charm Corporation**, Kawano-shi,
Ehime (JP)

CN	2192139	Y	3/1995
FR	1148943		12/1957
FR	1487987		7/1967
HU	P9403843		8/1995
HU	P9700252		10/1997
JP	39-608		1/1964
JP	39-6833		3/1964
JP	39-20632		7/1964
JP	40-18878		7/1965
JP	41-14463		7/1966
JP	41-14464		7/1966
JP	49-69262		9/1972
JP	58-194770	A1	12/1983

(**) Term: **14 Years**

(21) Appl. No.: **29/243,386**

(22) Filed: **Nov. 22, 2005**

(51) **LOC (9) Cl.** **04-01**

(52) **U.S. Cl.** **D32/48; D32/52**

(58) **Field of Classification Search** D32/48-52,
D32/40, 46; 401/201, 266; 15/236.01, 236.02,
15/236.07, 144.1, 210.1, 244.1, 220.4, 147,
15/228, 229.1-229.4, 229.7-229.8, 145,
15/147.1-147.2

See application file for complete search history.

(Continued)

OTHER PUBLICATIONS

Supplementary European Search Report dated Aug. 3, 2006 issued
for corresponding European Patent Application No. EP0273346.

Primary Examiner—Pamela J. Burgess
(74) *Attorney, Agent, or Firm*—Darby & Darby P.C.

(56) **References Cited**

U.S. PATENT DOCUMENTS

748,367	A *	12/1903	Haight	15/210.1
1,437,145	A	11/1922	Johnson	
1,437,245	A	11/1922	Hinchcliff	
2,262,888	A *	11/1941	Dodge	15/147.2
2,877,482	A	3/1959	Roy	
D207,258	S *	3/1967	Rippl	D15/32
3,385,416	A *	5/1968	Frechette	400/227
3,495,918	A *	2/1970	Leland	401/201
4,010,511	A	3/1977	Komatsu	
4,248,660	A *	2/1981	Johnson	156/579
4,827,556	A	5/1989	Corsetti	
5,010,615	A	4/1991	Carter	
5,426,810	A *	6/1995	Rones	15/229.13
6,047,435	A	4/2000	Suzuki et al.	
6,079,075	A	6/2000	Velez-Juan	
D441,007	S	4/2001	Simons et al.	
D479,375	S *	9/2003	Gringer et al.	D32/48
6,813,801	B2 *	11/2004	Tanaka et al.	15/229.3
6,978,509	B2	12/2005	Lin et al.	

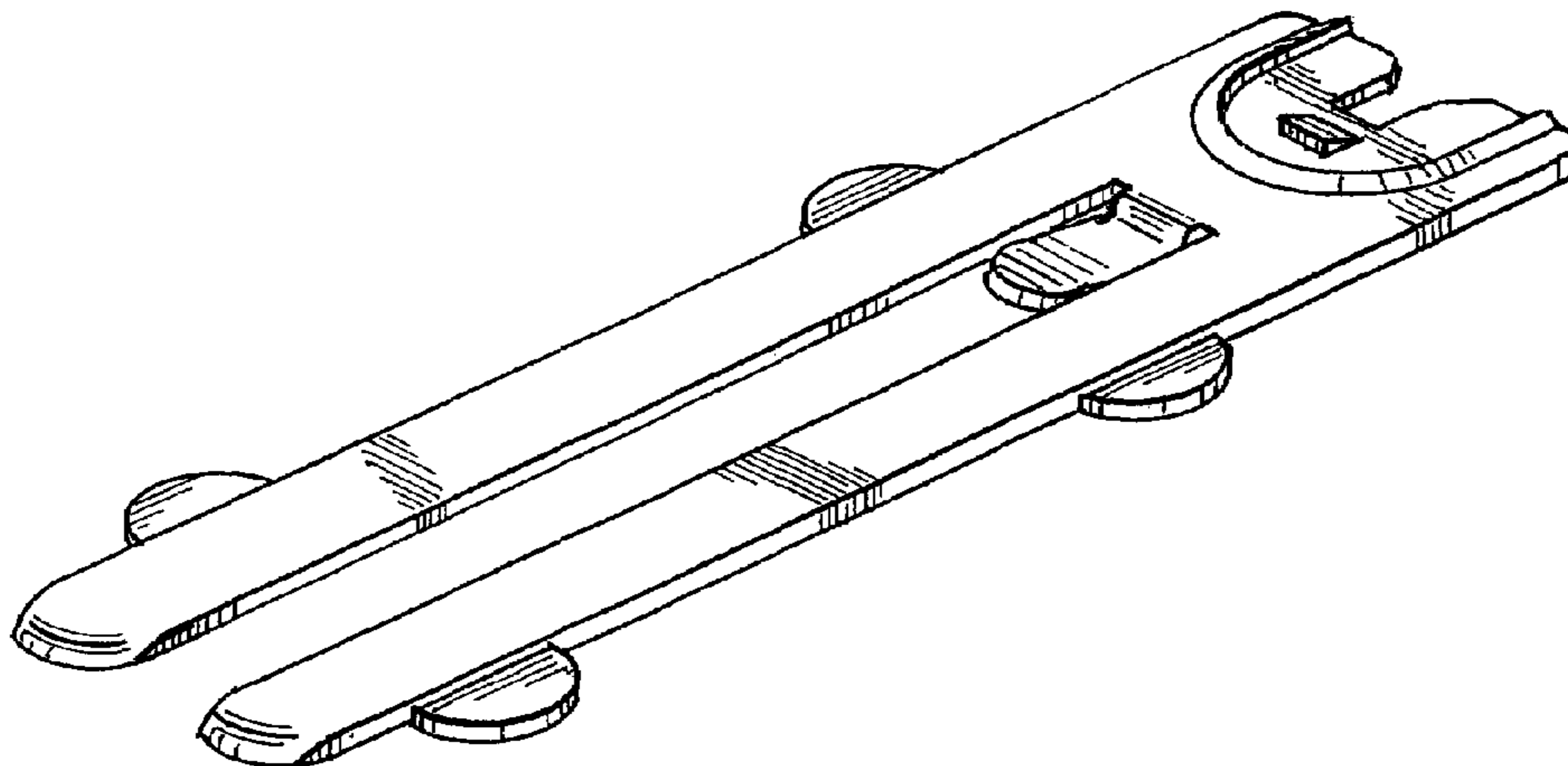
(57) **CLAIM**

The ornamental design for a insert plate for a handy mop, as
shown and described.

DESCRIPTION

FIG. 1 is a perspective view of an insert plate for a handy mop;
FIG. 2 is a front view thereof;
FIG. 3 is a side view thereof;
FIG. 4 is a back view thereof;
FIG. 5 is a top view thereof; and,
FIG. 6 is a bottom view thereon.

1 Claim, 2 Drawing Sheets



US D590,558 S

Page 2

FOREIGN PATENT DOCUMENTS		
JP	60-63157 U	5/1985
JP	60-63158 A1	5/1985
JP	61-177575	8/1986
JP	61-177576	8/1986
JP	62-47351 A1	3/1987
JP	62-184851	8/1987
JP	63-121065	5/1988
JP	1-66267 U	4/1989
JP	1-79454	5/1989
JP	1-79455	5/1989
JP	1-79456	5/1989
JP	2-4541 U	1/1990
JP	3043196	2/1991
JP	5-95457	12/1993
JP	6-337	1/1994
JP	11-089766	4/1994
JP	63-26131 Y2	11/1994
JP	7-24257 U	5/1995
JP	08-336493	12/1996
JP	10-328107 A1	12/1996
JP	10-43116	2/1998
JP	10-117985 A	5/1998
JP	10-225409	8/1998
JP	11-000298	1/1999
JP	11-276402 A	10/1999
JP	2000-201875	7/2000
JP	2002-165742	6/2002
WO	02/34101	5/2002

* cited by examiner

FIG. 1

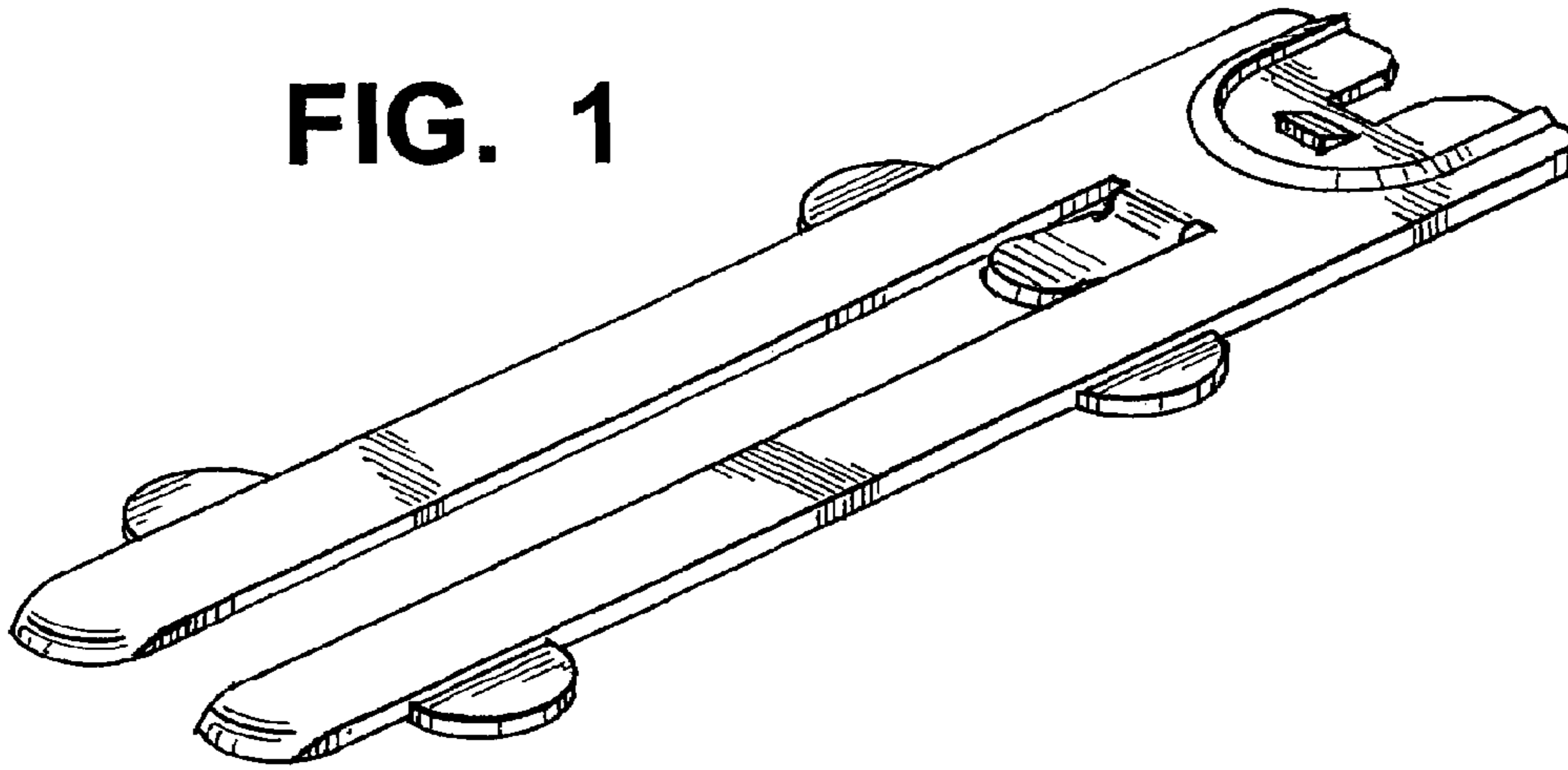


FIG. 2



FIG. 3

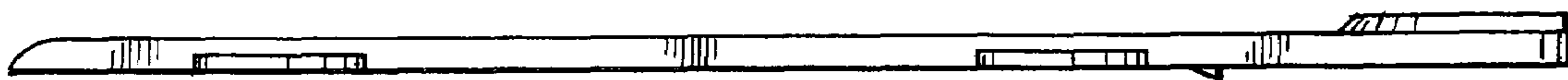


FIG. 4

FIG. 5

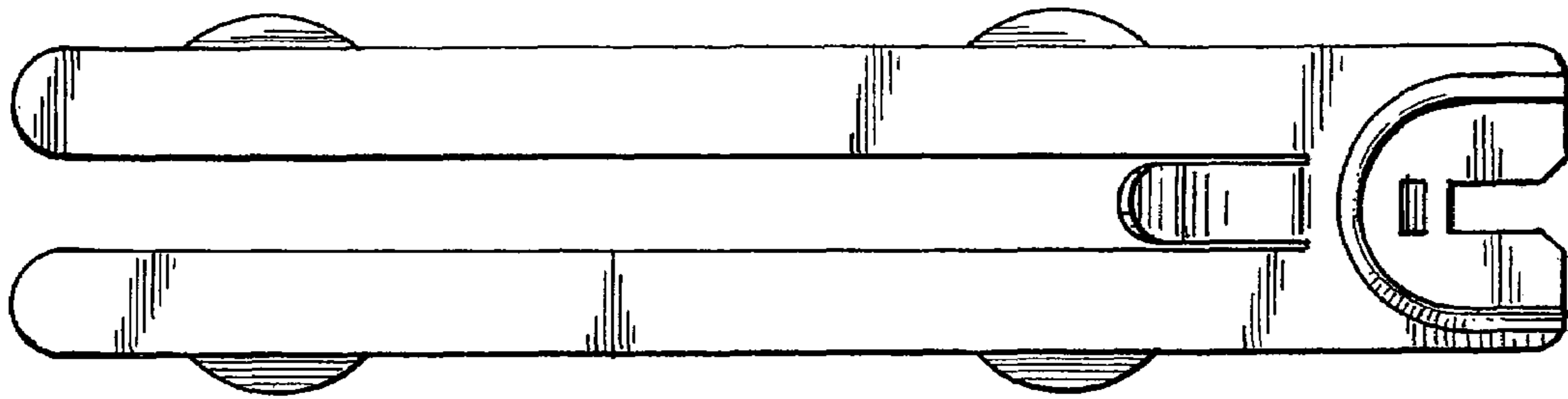


FIG. 6

