



US00D590554S

(12) **United States Design Patent**
Griffin

(10) **Patent No.:** **US D590,554 S**

(45) **Date of Patent:** **** Apr. 14, 2009**

(54) **VACUUM CLEANER**

(75) Inventor: **John Griffin**, Phoenix, AZ (US)

(73) Assignee: **Shop-Vac Corporation**, Williamsport, PA (US)

(**) Term: **14 Years**

(21) Appl. No.: **29/295,274**

(22) Filed: **Sep. 25, 2007**

(51) **LOC (9) Cl.** **15-05**

(52) **U.S. Cl.** **D32/32**

(58) **Field of Classification Search** D32/22,
D32/32-33, 31, 21; 15/322, 400, 412, 415.1-416,
15/417-422, 422.1, 329, 351, 361, 335, 414,
15/387, 396-398, 350, 410, 344
See application file for complete search history.

(56) **References Cited**

U.S. PATENT DOCUMENTS

D326,938 S *	6/1992	Burns	D32/32
D427,398 S *	6/2000	Worwag	D32/32
D443,120 S *	5/2001	Choi	D32/32
D456,967 S *	5/2002	Santiago	D32/32
D457,696 S *	5/2002	Worwag	D32/32
D473,687 S *	4/2003	Kaffenberger	D32/33
D487,828 S *	3/2004	Iike et al.	D32/32
D507,389 S *	7/2005	Kalman et al.	D32/32
D507,854 S *	7/2005	Kim	D32/32

D518,932 S *	4/2006	Maruyama et al.	D32/32
D524,002 S *	6/2006	Worwag	D32/32
D543,669 S *	5/2007	Ikeno et al.	D32/32
2007/0157422 A1 *	7/2007	Oh et al.	15/387

* cited by examiner

Primary Examiner—Ruth McInroy

(74) *Attorney, Agent, or Firm*—Marshall, Gerstein & Borun LLP

(57) **CLAIM**

The ornamental design for a vacuum cleaner, as shown.

DESCRIPTION

FIG. 1 is a left front perspective view of a vacuum cleaner that has the design.

FIG. 2 is a right side view of the vacuum cleaner.

FIG. 3 is a left side view of the vacuum cleaner.

FIG. 4 is a top view of the vacuum cleaner.

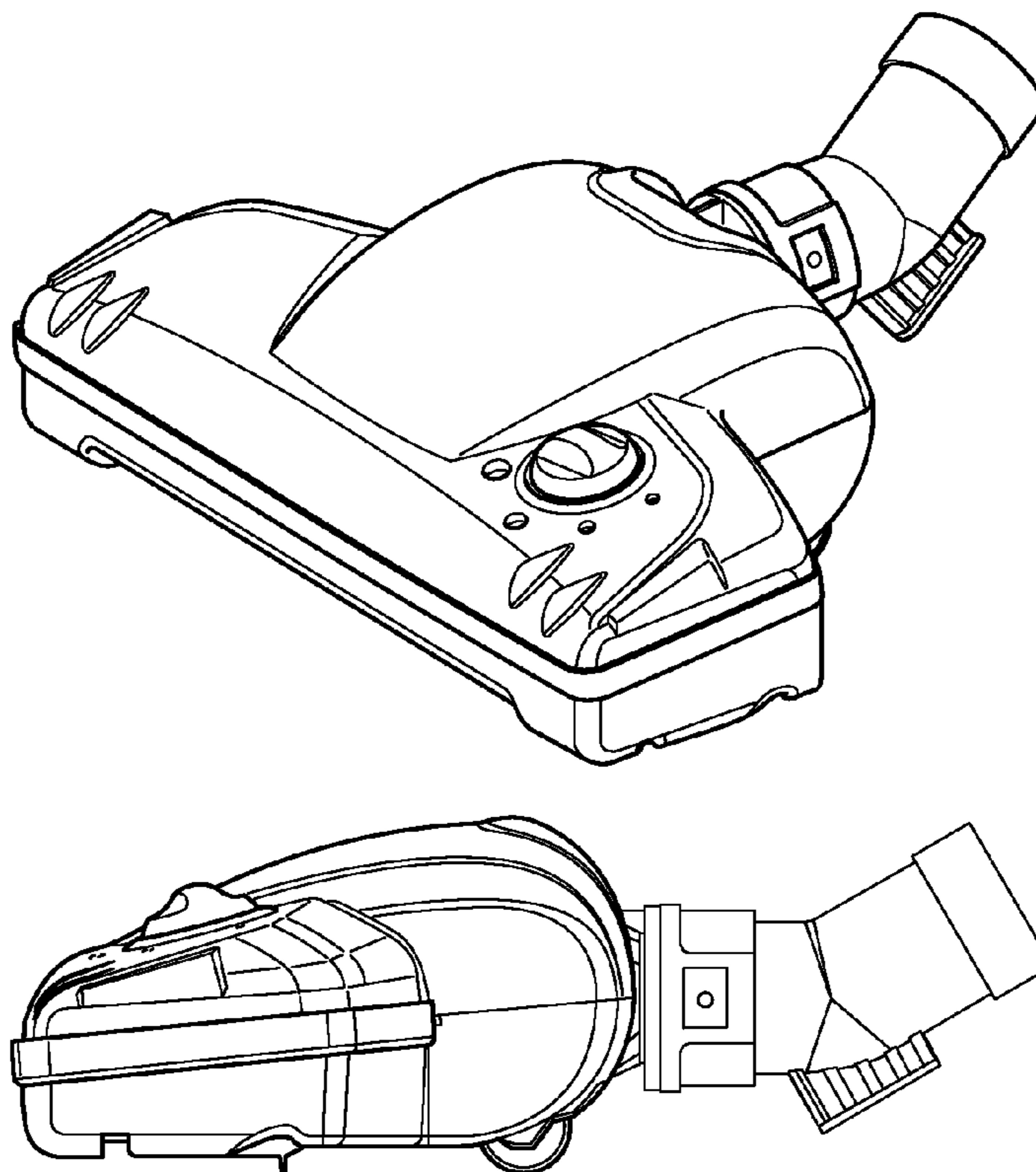
FIG. 5 is a back side view of the vacuum cleaner; and,

FIG. 6 is a front view of the vacuum cleaner.

The bottom of the vacuum cleaner forms no part of the claimed design.

The broken line showing of the connector and points on the vacuum cleaner is for purpose of illustrating portions of the vacuum cleaner and forms no part of the claimed design.

1 Claim, 3 Drawing Sheets



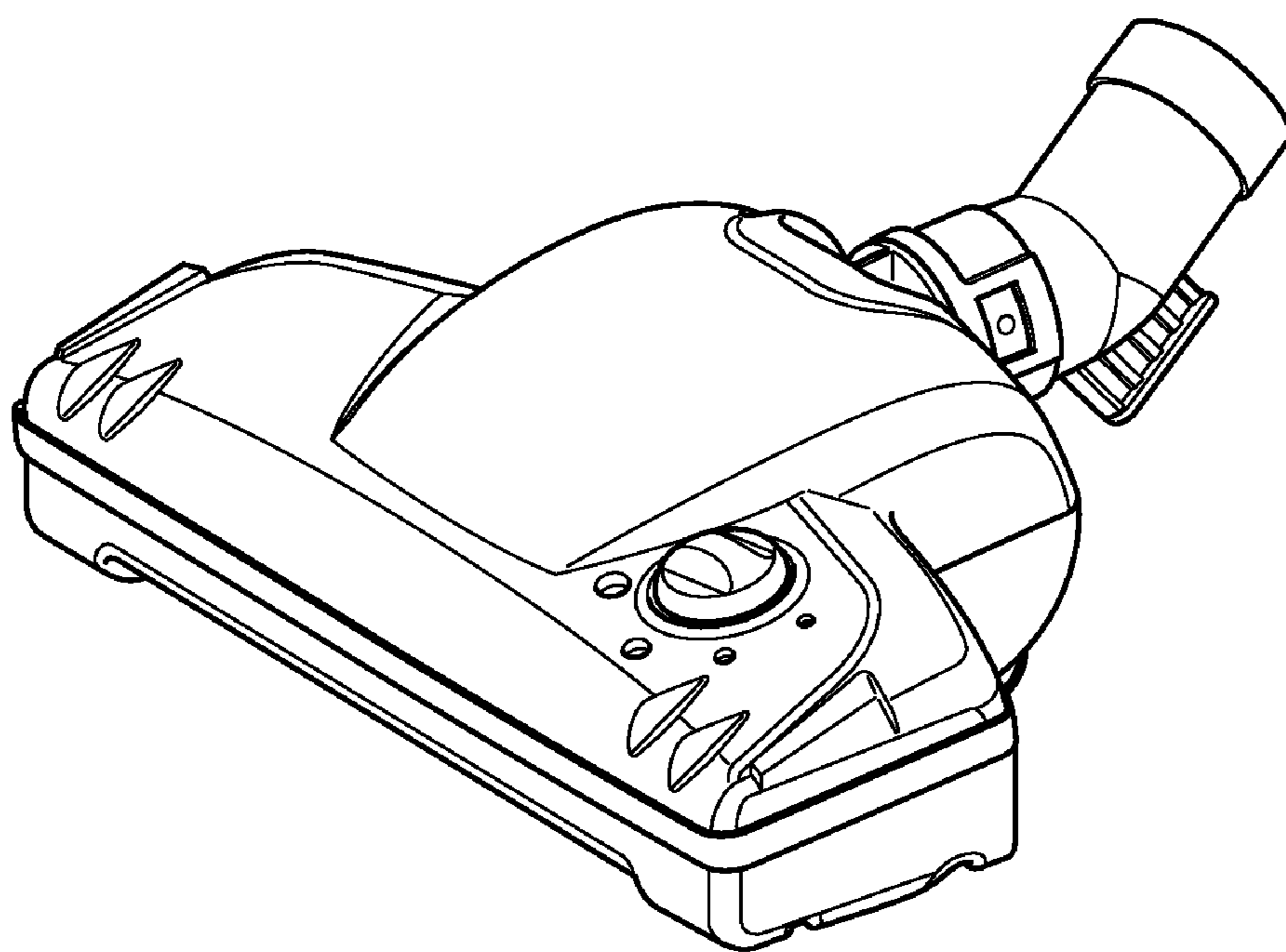


FIG. 1

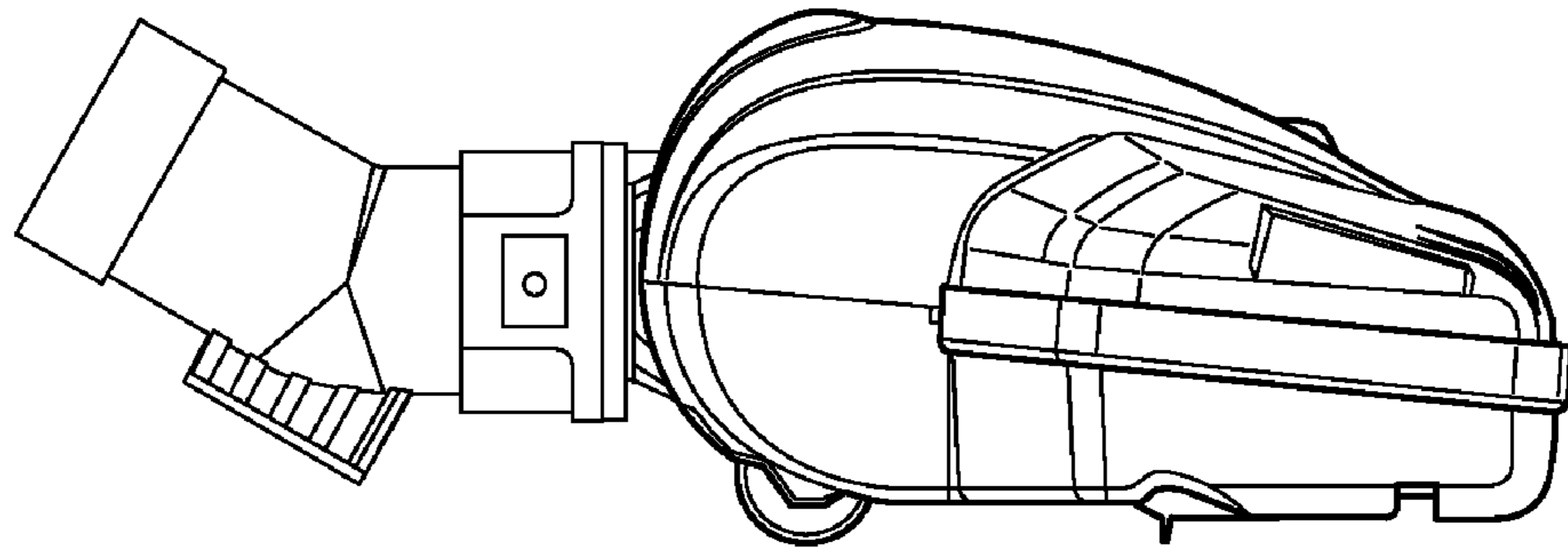


FIG. 2

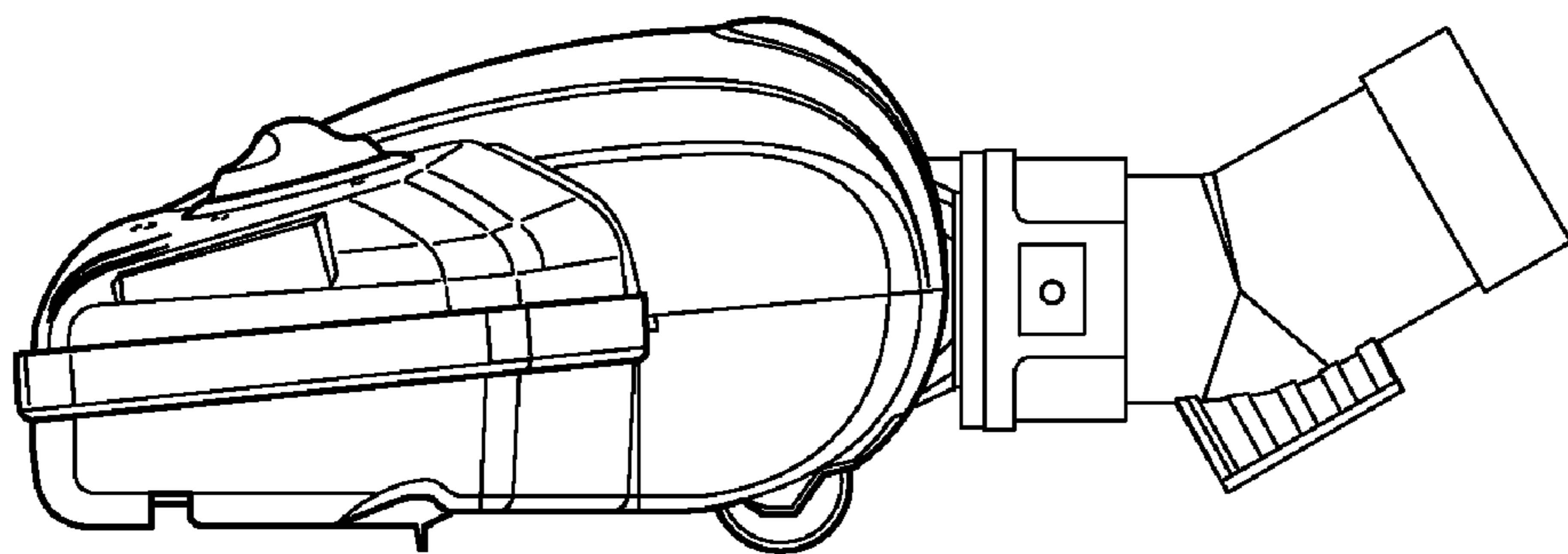


FIG. 3

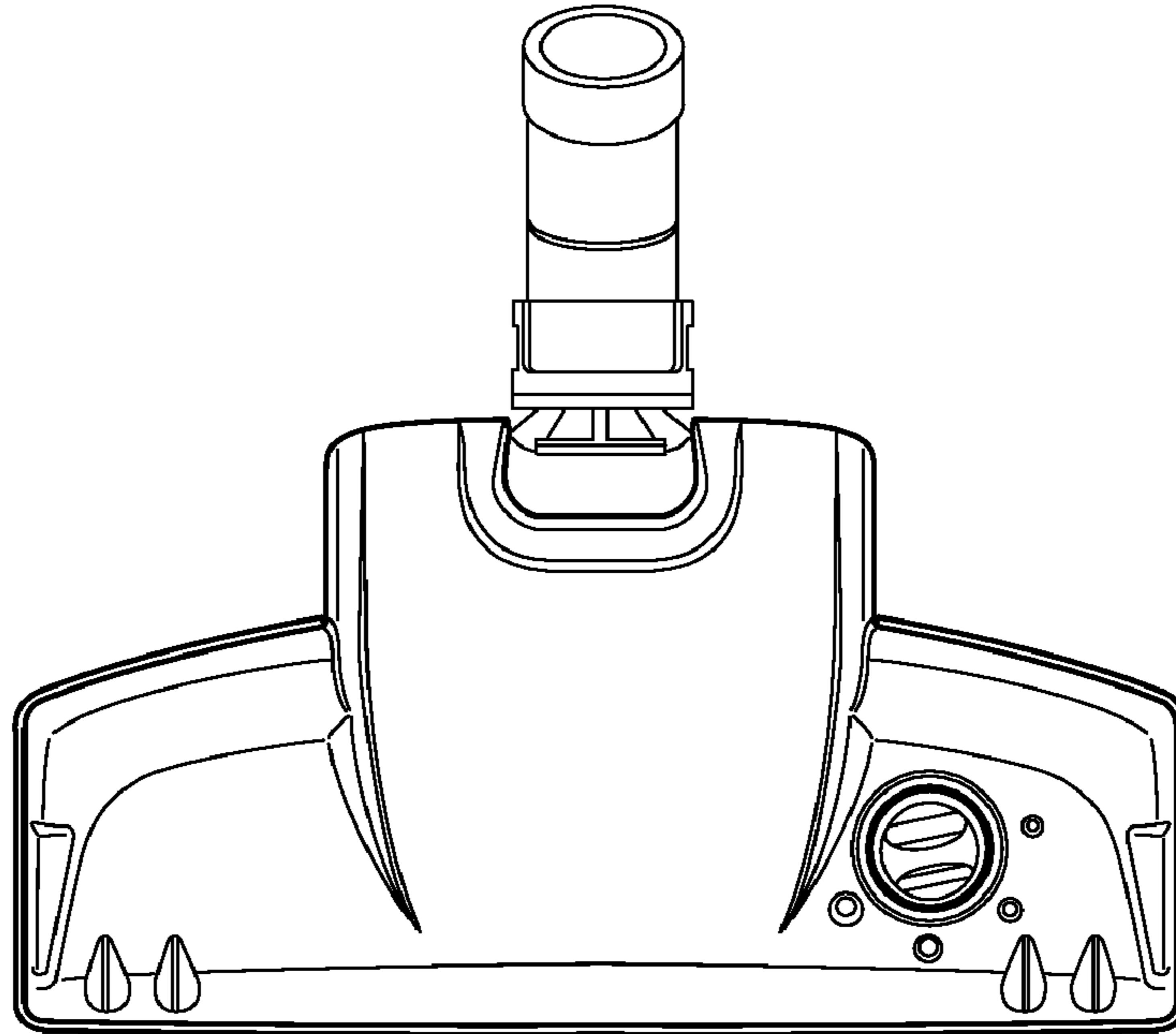


FIG. 4

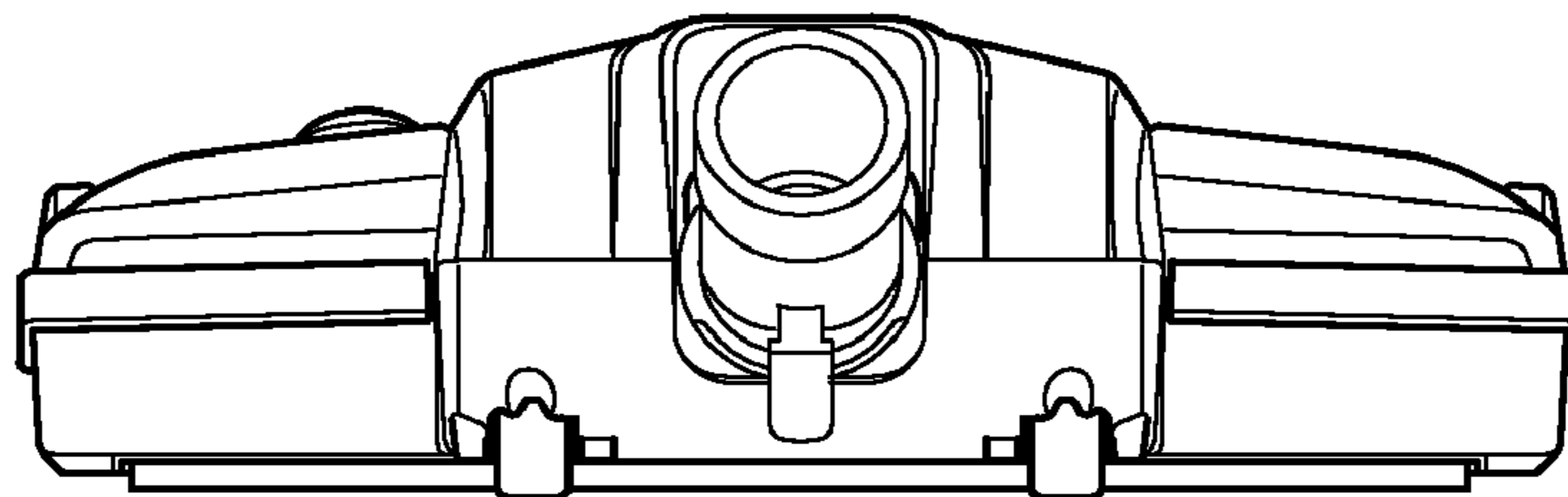


FIG. 5

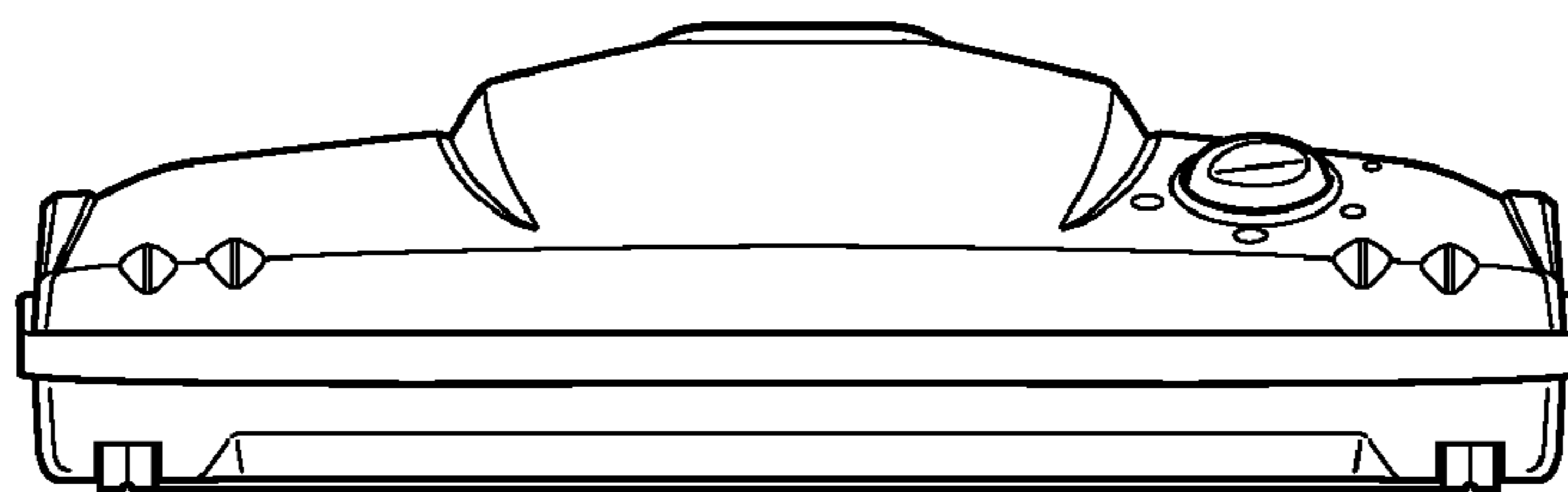


FIG. 6