

US00D590552S

(12) **United States Design Patent**  
**Mizuno et al.**

(10) **Patent No.:** **US D590,552 S**

(45) **Date of Patent:** **\*\* Apr. 14, 2009**

(54) **BODY OF ELECTRIC VACUUM CLEANER**

D485,953 S \* 1/2004 Greene et al. .... D32/21  
D508,152 S \* 8/2005 Konno ..... D32/21  
D520,198 S \* 5/2006 Sung ..... D32/21

(75) Inventors: **Yoshiro Mizuno**, Ono (JP); **Nobuo Yazaki**, Osaka (JP)

\* cited by examiner

(73) Assignee: **Sanyo Electric Co, Ltd.**, Moriguchi-Shi (JP)

*Primary Examiner*—Ruth McInroy  
(74) *Attorney, Agent, or Firm*—Foley & Lardner LLP

(\*\*) Term: **14 Years**

(57) **CLAIM**

(21) Appl. No.: **29/287,430**

The ornamental design for a body of electric vacuum cleaner, as shown.

(22) Filed: **Aug. 6, 2007**

(30) **Foreign Application Priority Data**

Feb. 8, 2007 (JP) ..... 2007-002975

**DESCRIPTION**

(51) **LOC (9) Cl.** ..... **15-05**

FIG. 1 is a perspective view of a body of an electric vacuum cleaner according to our new design;

(52) **U.S. Cl.** ..... **D32/21**

FIG. 2 is a front view of the body of the electric vacuum cleaner according to our new design;

(58) **Field of Classification Search** ..... D32/21–24,  
D32/31, 34, 16; 15/320–321, 323, 327.1–327.7,  
15/329, 335, 340.2, 351, 353, 361, 410–412;  
55/DIG. 3, 345, 337, 459.1

FIG. 3 is a rear view of the body of the electric vacuum cleaner according to our new design;

See application file for complete search history.

FIG. 4 is a top plan view of the body of the electric vacuum cleaner according to our new design;

(56) **References Cited**

FIG. 5 is a bottom plan view of the body of the electric vacuum cleaner according to our new design;

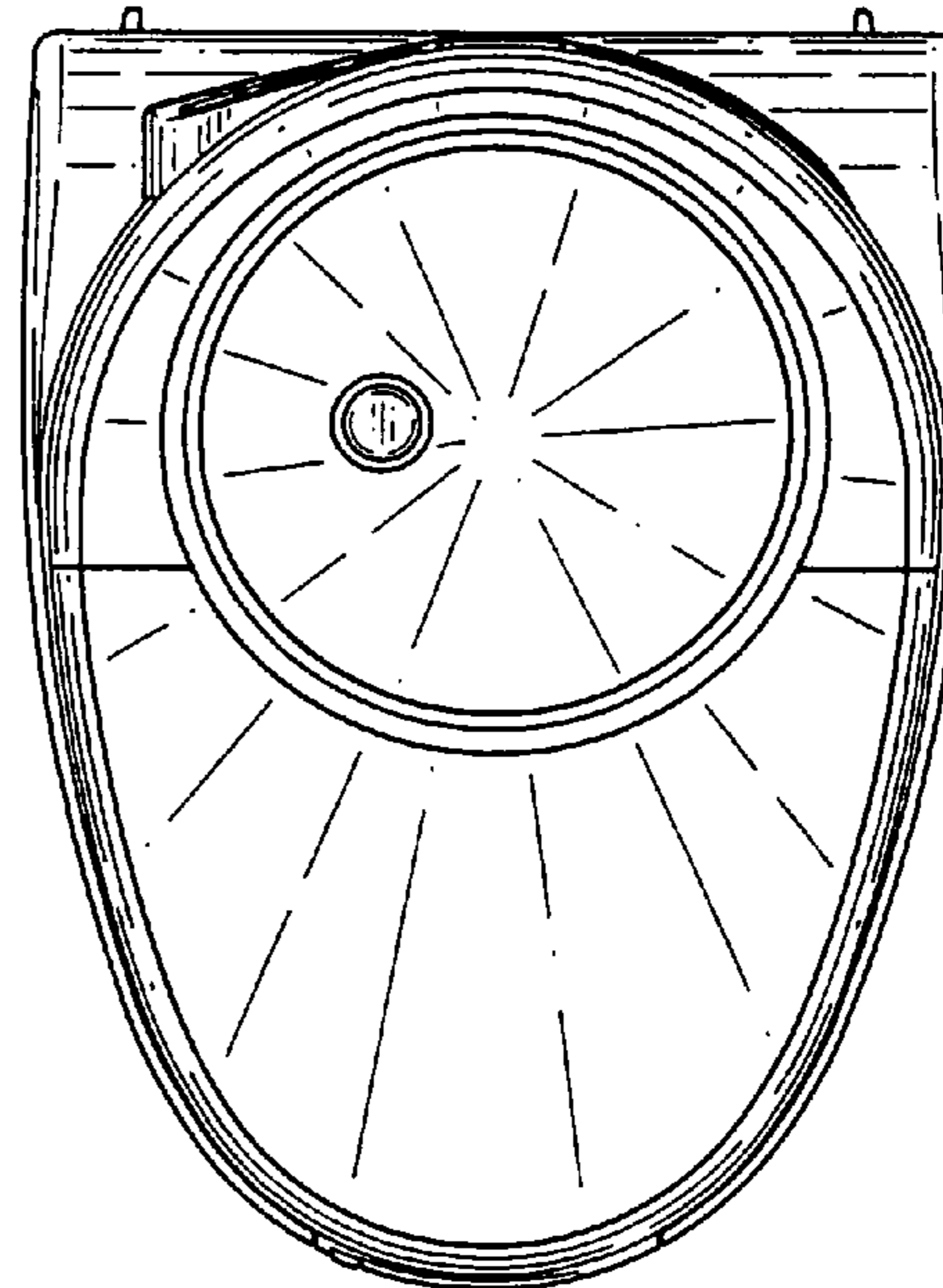
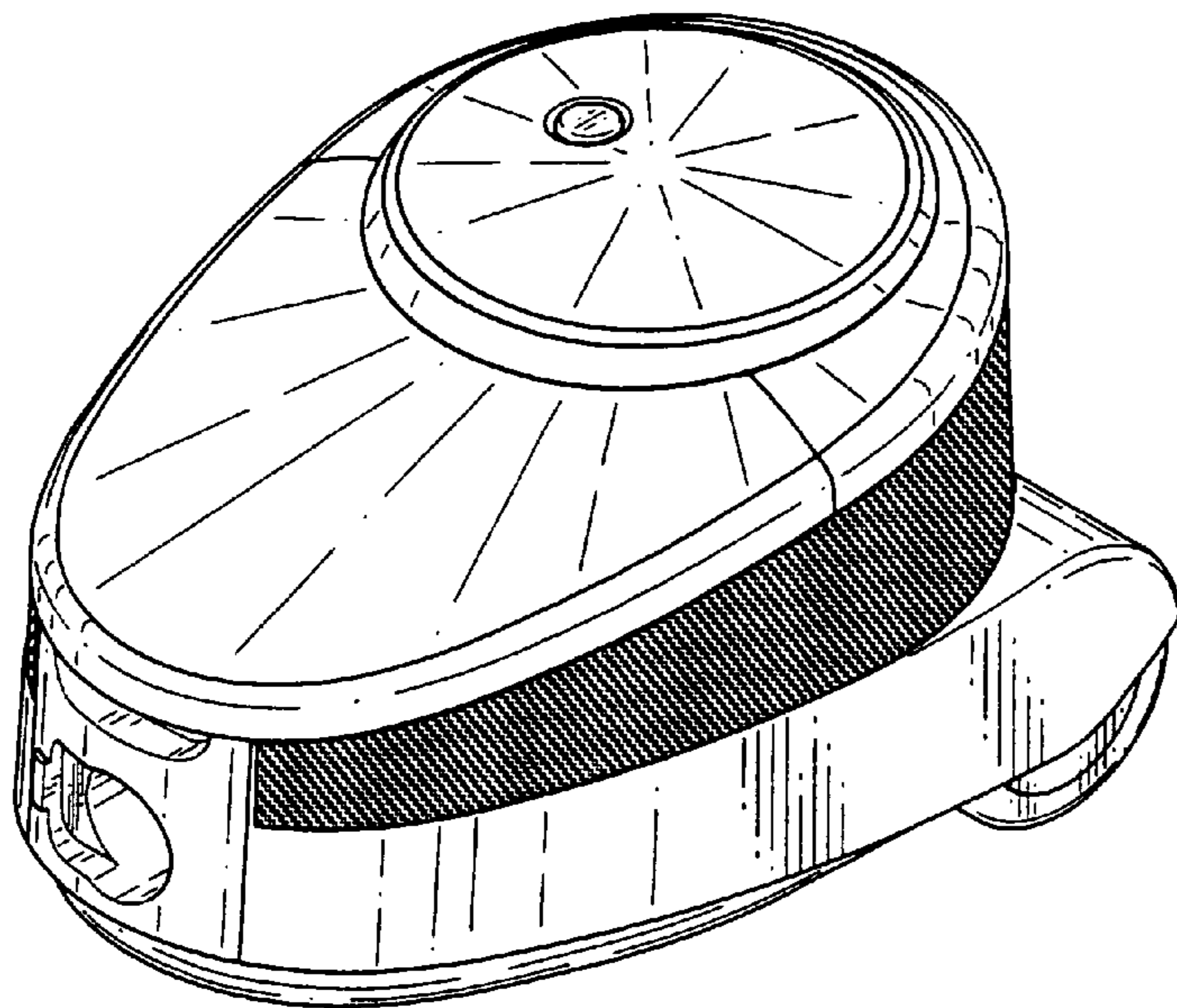
**U.S. PATENT DOCUMENTS**

D373,665 S \* 9/1996 Nakamura et al. .... D32/21  
D455,529 S \* 4/2002 Wu ..... D32/21

FIG. 6 is a right side view thereof; and,

FIG. 7 is a left side view thereof.

**1 Claim, 4 Drawing Sheets**



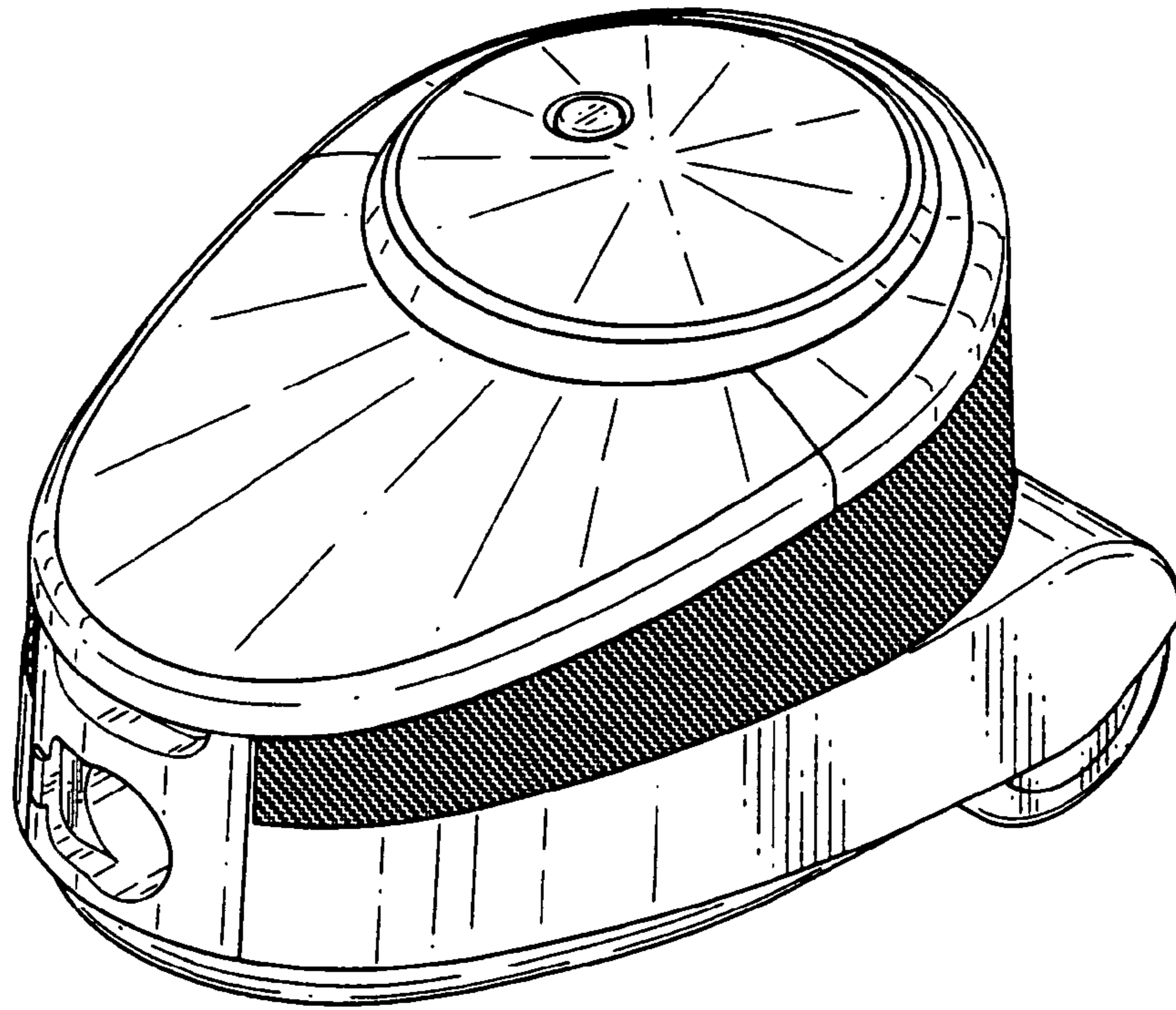


Fig. 1

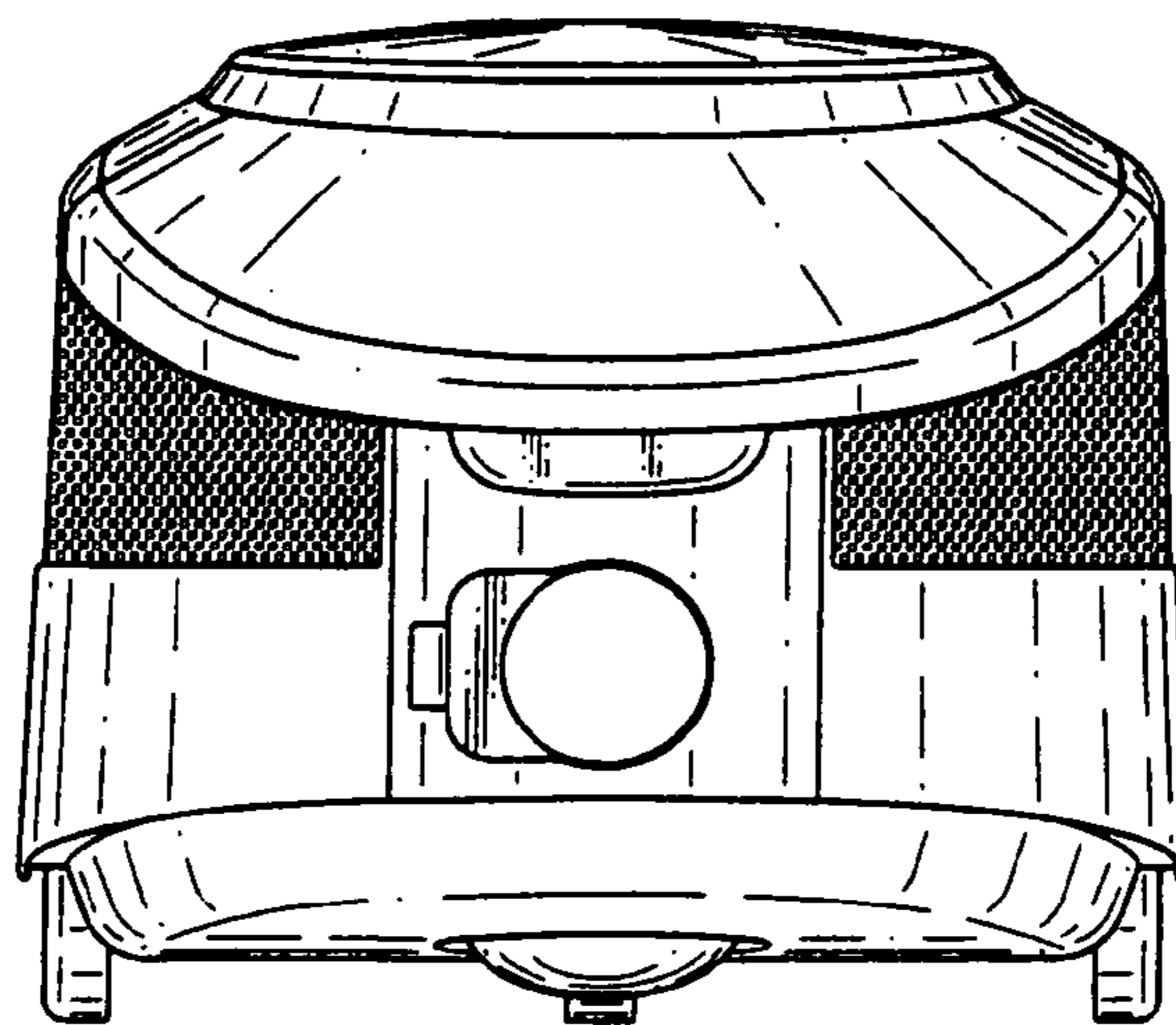


Fig. 2

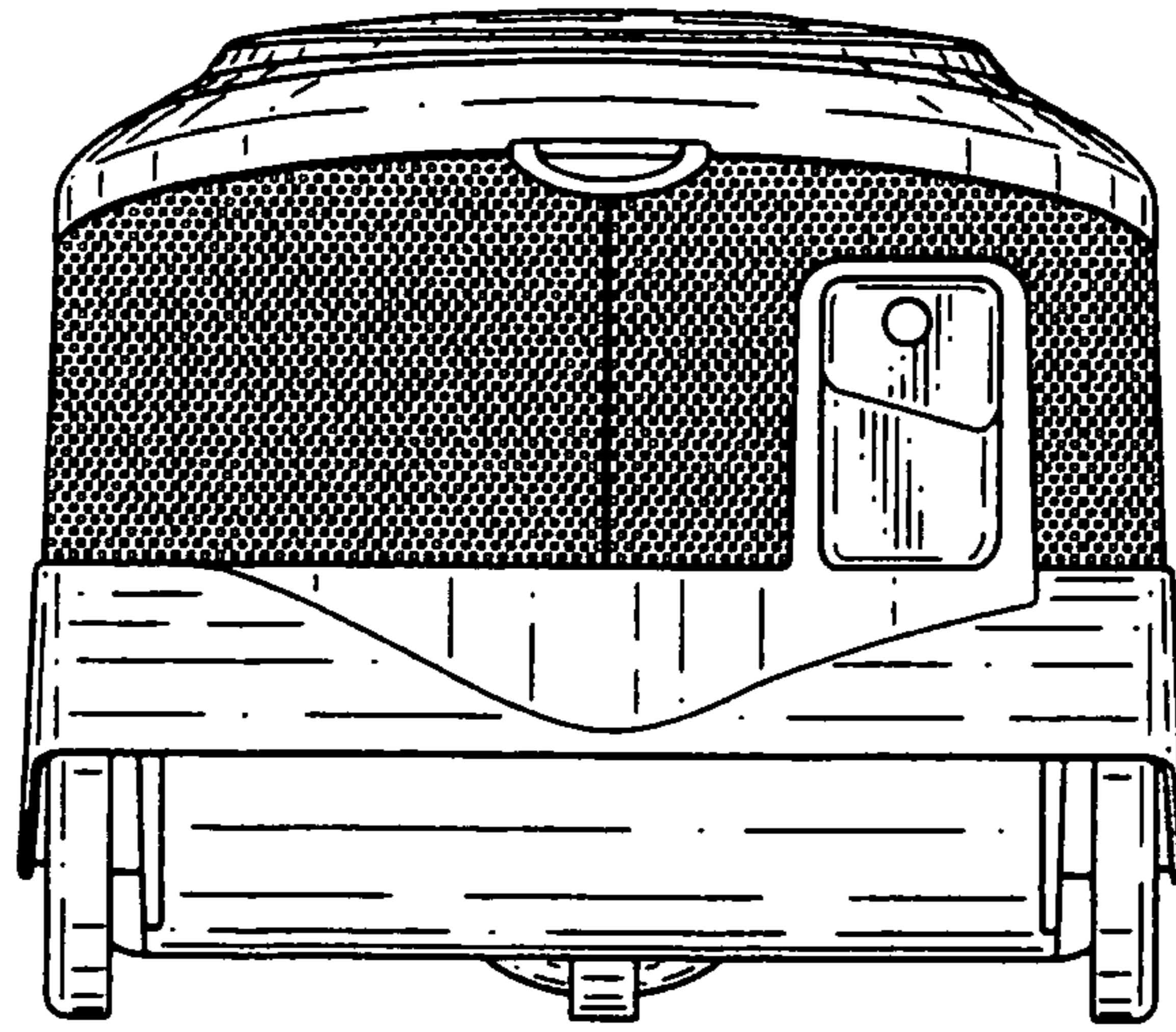


Fig. 3

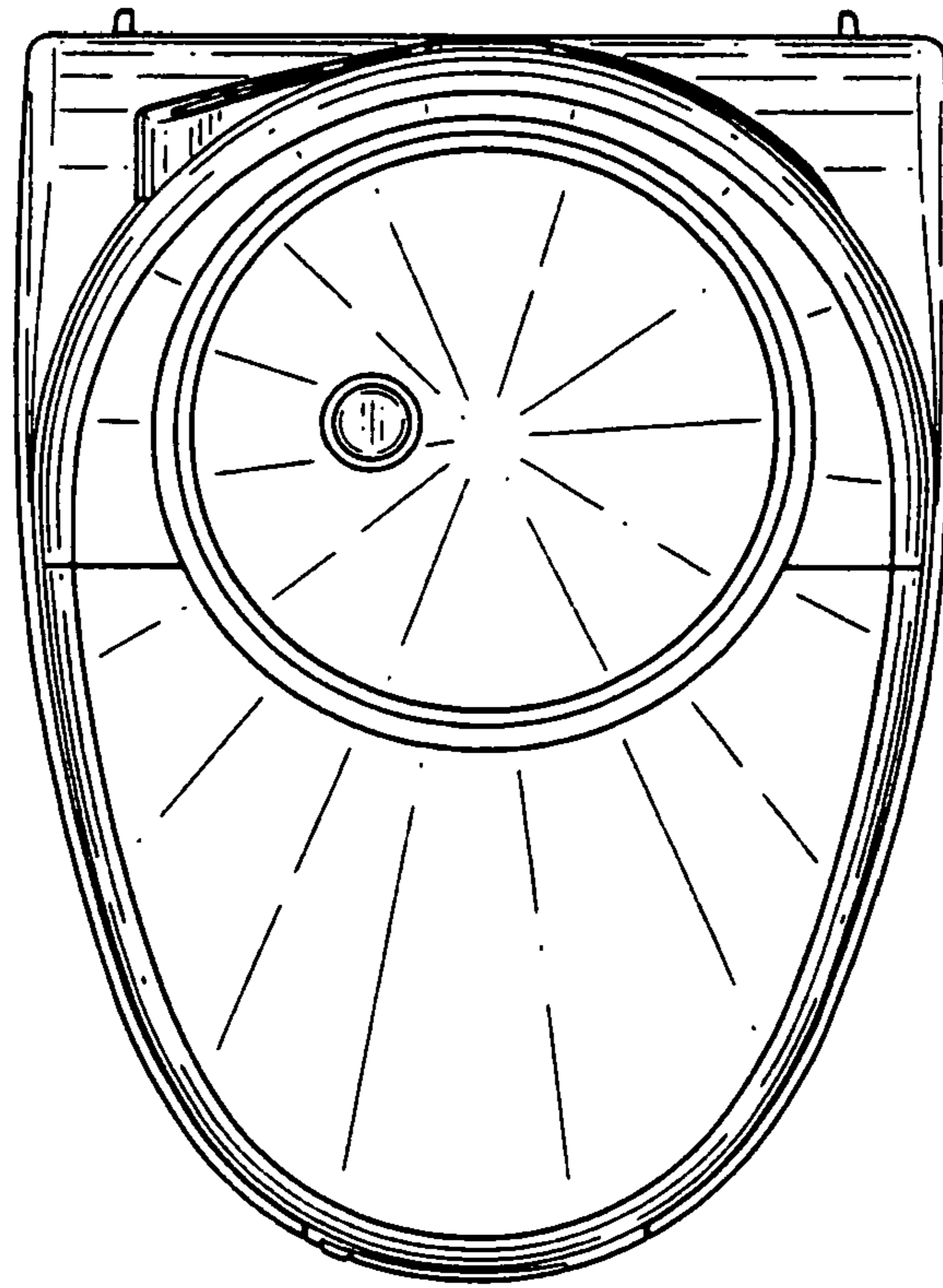


Fig. 4

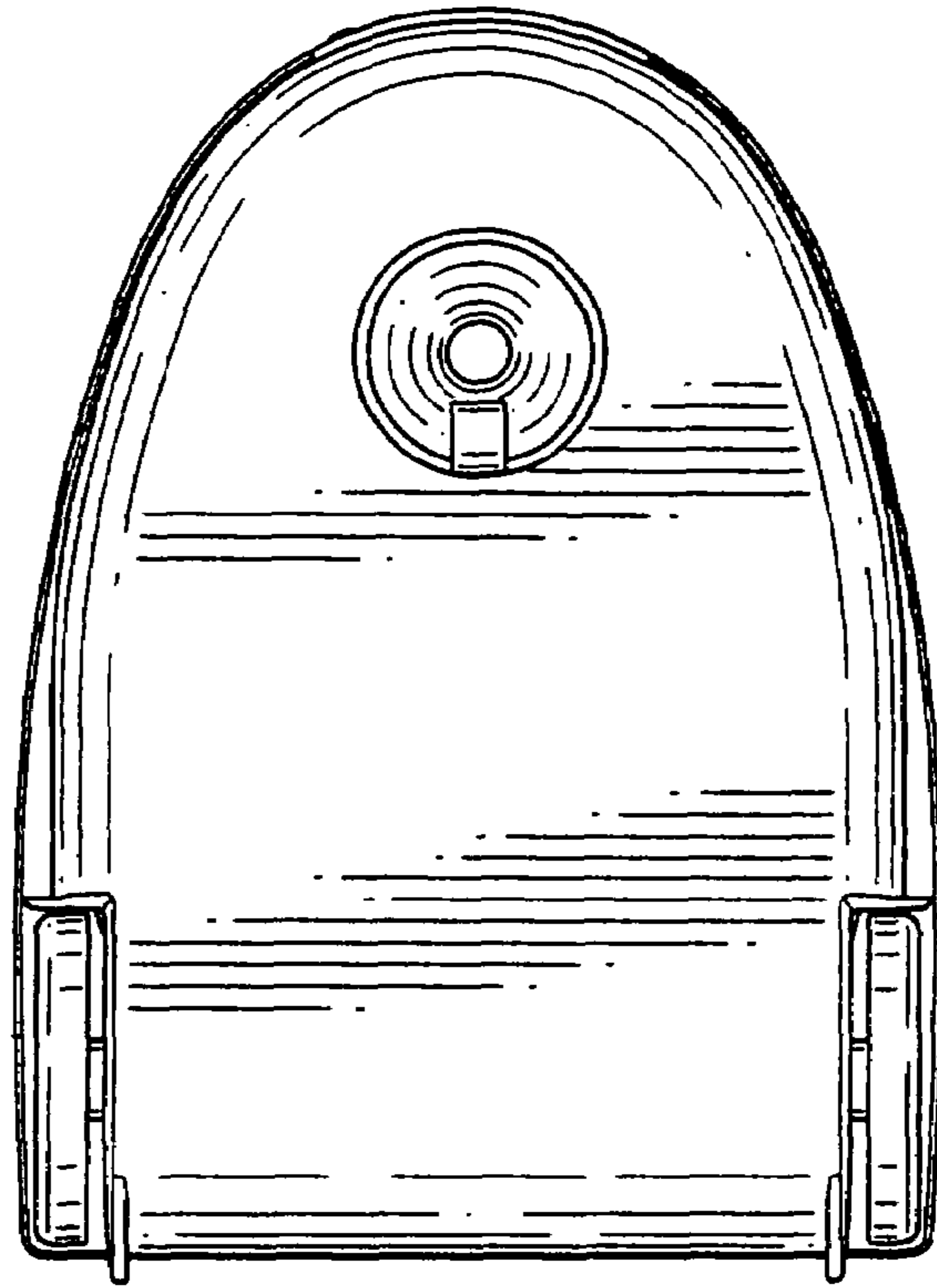


Fig. 5

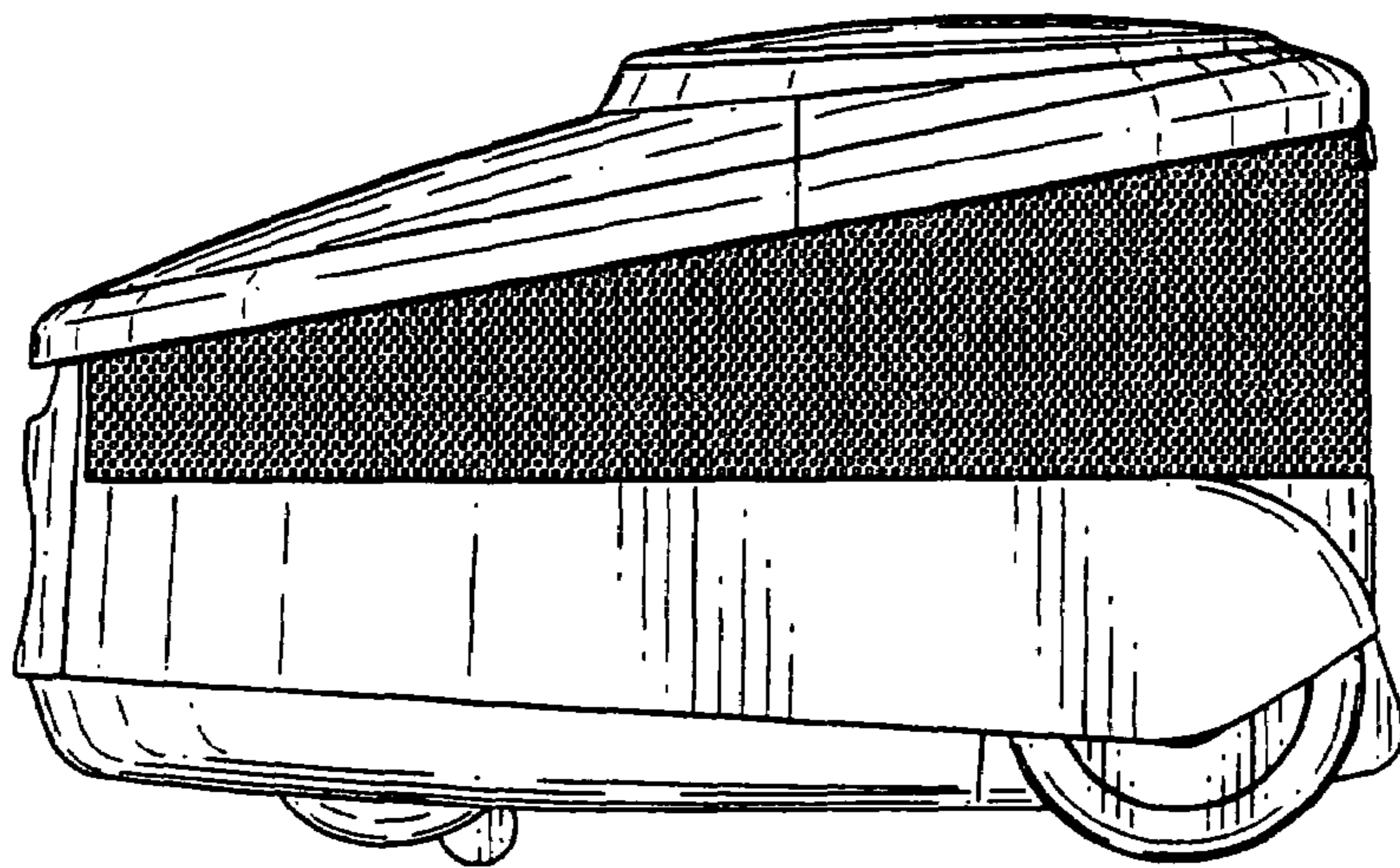


Fig. 6

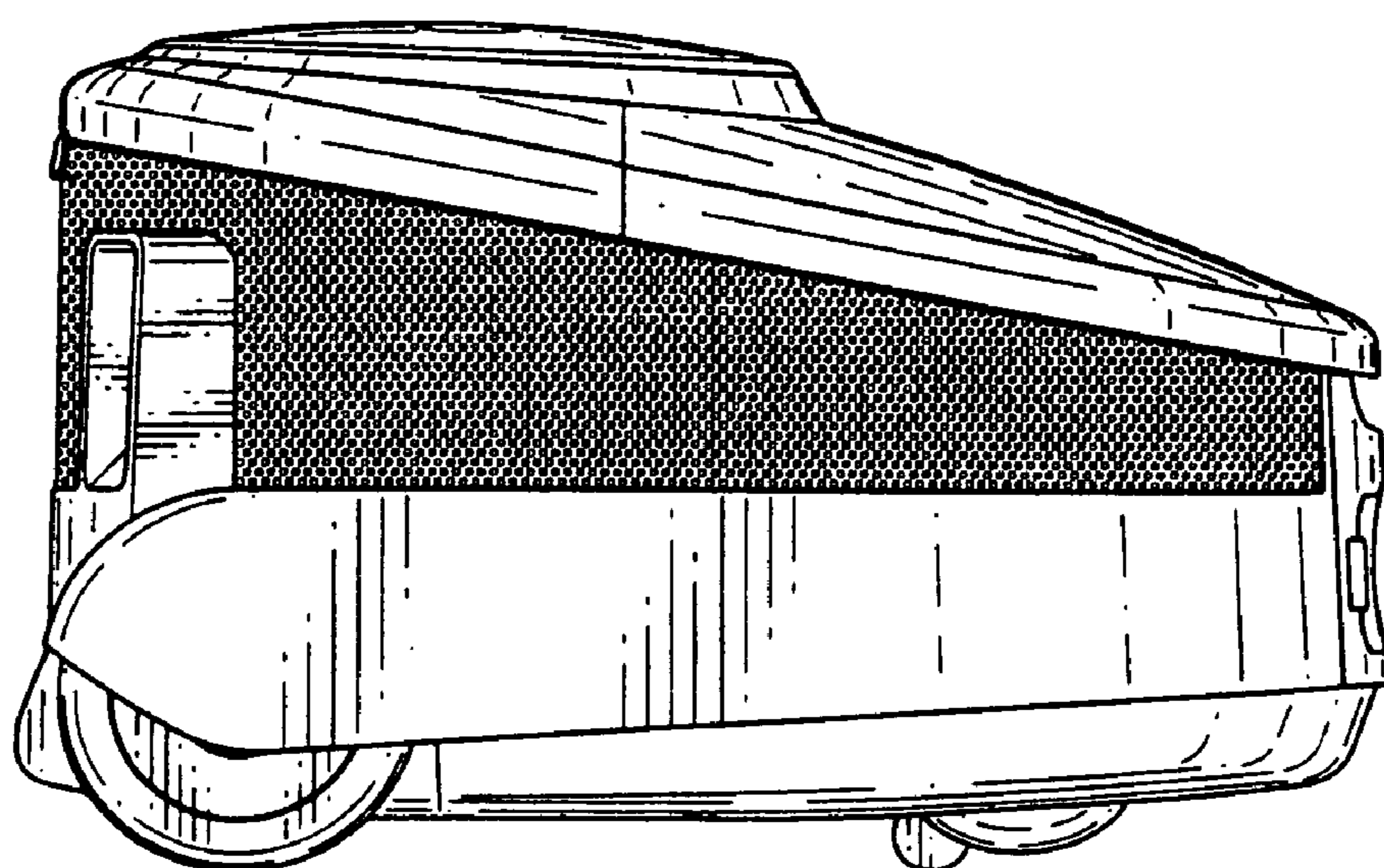


Fig. 7