



US00D590549S

(12) **United States Design Patent**  
**Kilroy**

(10) **Patent No.:** **US D590,549 S**

(45) **Date of Patent:** **\*\* \*Apr. 14, 2009**

(54) **COMBINED AQUARIUM AND ANIMAL EXHIBIT**

(76) **Inventor:** **Patrick F. Kilroy**, 3940 Ulla La., Lake Elsinore, CA (US) 92530

(\*\*) **Term:** **14 Years**

(21) **Appl. No.:** **29/276,757**

(22) **Filed:** **Feb. 3, 2007**

(51) **LOC (9) Cl.** ..... **30-02**

(52) **U.S. Cl.** ..... **D30/104**

(58) **Field of Classification Search** ..... D30/101-107;  
D11/145; 119/245-248, 251-253, 258, 263,  
119/265-267

See application file for complete search history.

(56) **References Cited**

**U.S. PATENT DOCUMENTS**

3,512,503	A *	5/1970	Willinger	.....	119/251
D251,206	S *	2/1979	Conrad	.....	D30/104
D253,729	S *	12/1979	Ward	.....	D30/105
4,204,499	A *	5/1980	Leyva et al.	.....	119/246
D259,292	S *	5/1981	Conrad	.....	D30/101
D265,856	S *	8/1982	Totten	.....	D30/104
4,958,593	A *	9/1990	Hurlburt et al.	.....	119/246
5,000,118	A *	3/1991	Merritt et al.	.....	119/246

5,009,188	A *	4/1991	Yasui	.....	119/253
D340,550	S *	10/1993	Teats	.....	D30/104
5,313,912	A *	5/1994	O'Dell	.....	119/246
5,337,701	A *	8/1994	Syers	.....	119/251
5,357,903	A *	10/1994	Rivera	.....	119/246
D356,979	S *	4/1995	Rahr	.....	D11/143
D357,646	S *	4/1995	Movizzo	.....	D11/202
D397,522	S *	8/1998	Bishop	.....	D30/101
6,019,064	A *	2/2000	Alarcon	.....	119/247
6,363,889	B1 *	4/2002	Lamendola	.....	119/246
D473,347	S *	4/2003	Vines	.....	D30/104
D512,661	S *	12/2005	Morris et al.	.....	D11/131
D518,408	S *	4/2006	Harrity et al.	.....	D11/131
7,025,018	B2 *	4/2006	Goossen	.....	119/246
7,073,463	B1 *	7/2006	Blakely	.....	119/246

\* cited by examiner

*Primary Examiner*—Cathy Anne MacCormac

(57) **CLAIM**

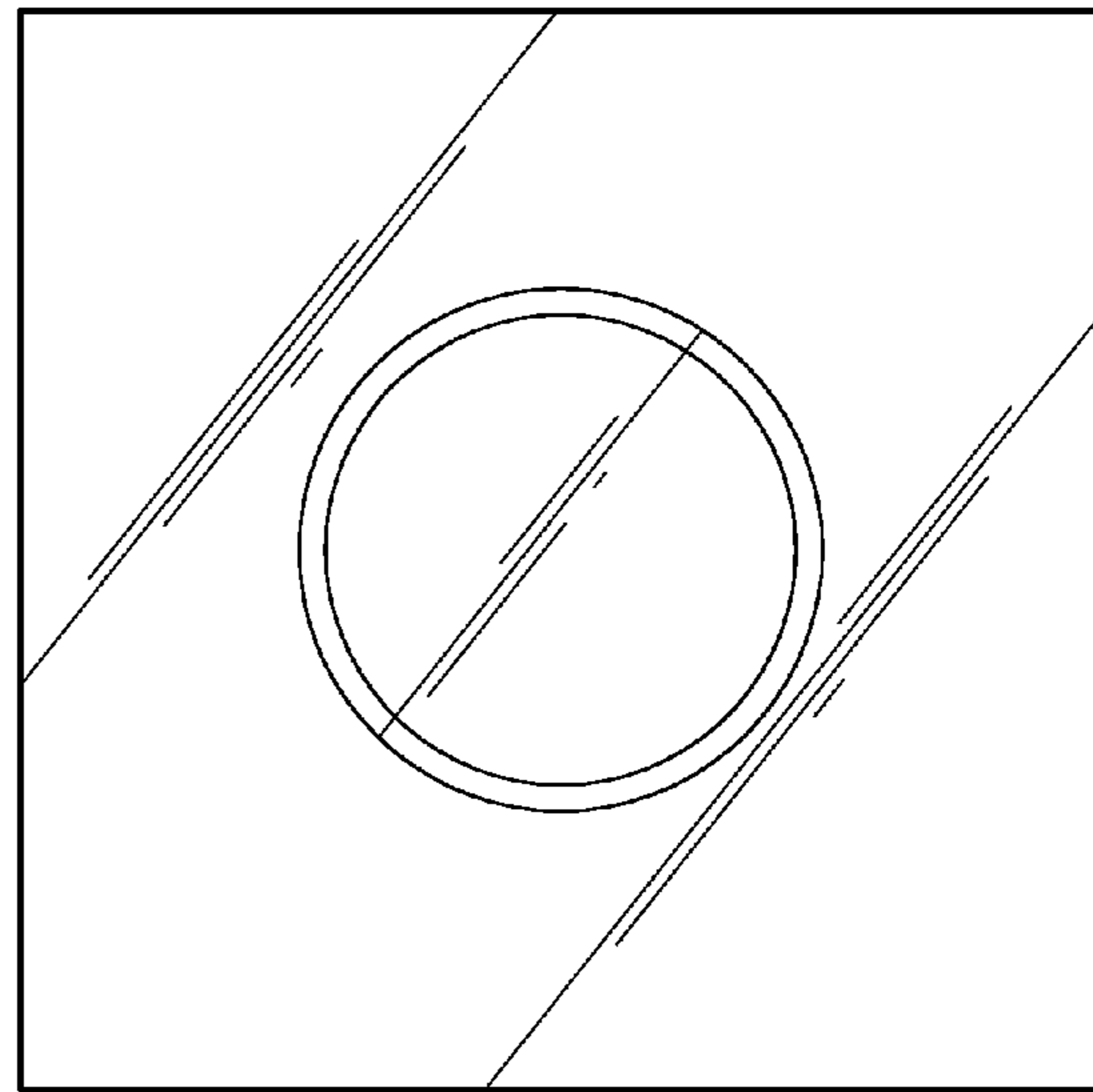
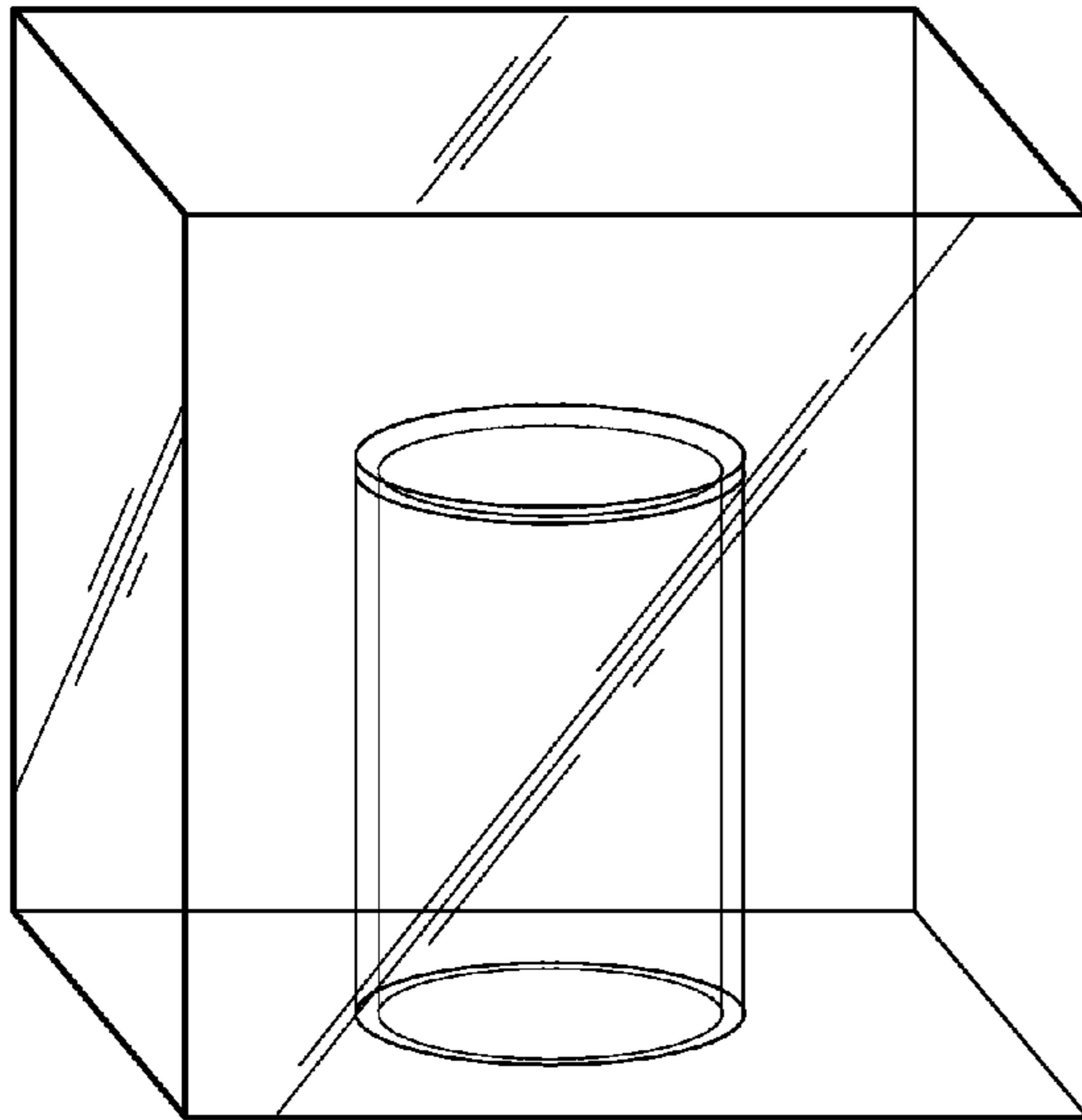
The ornamental design of a combined aquarium and animal exhibit, as shown and described.

**DESCRIPTION**

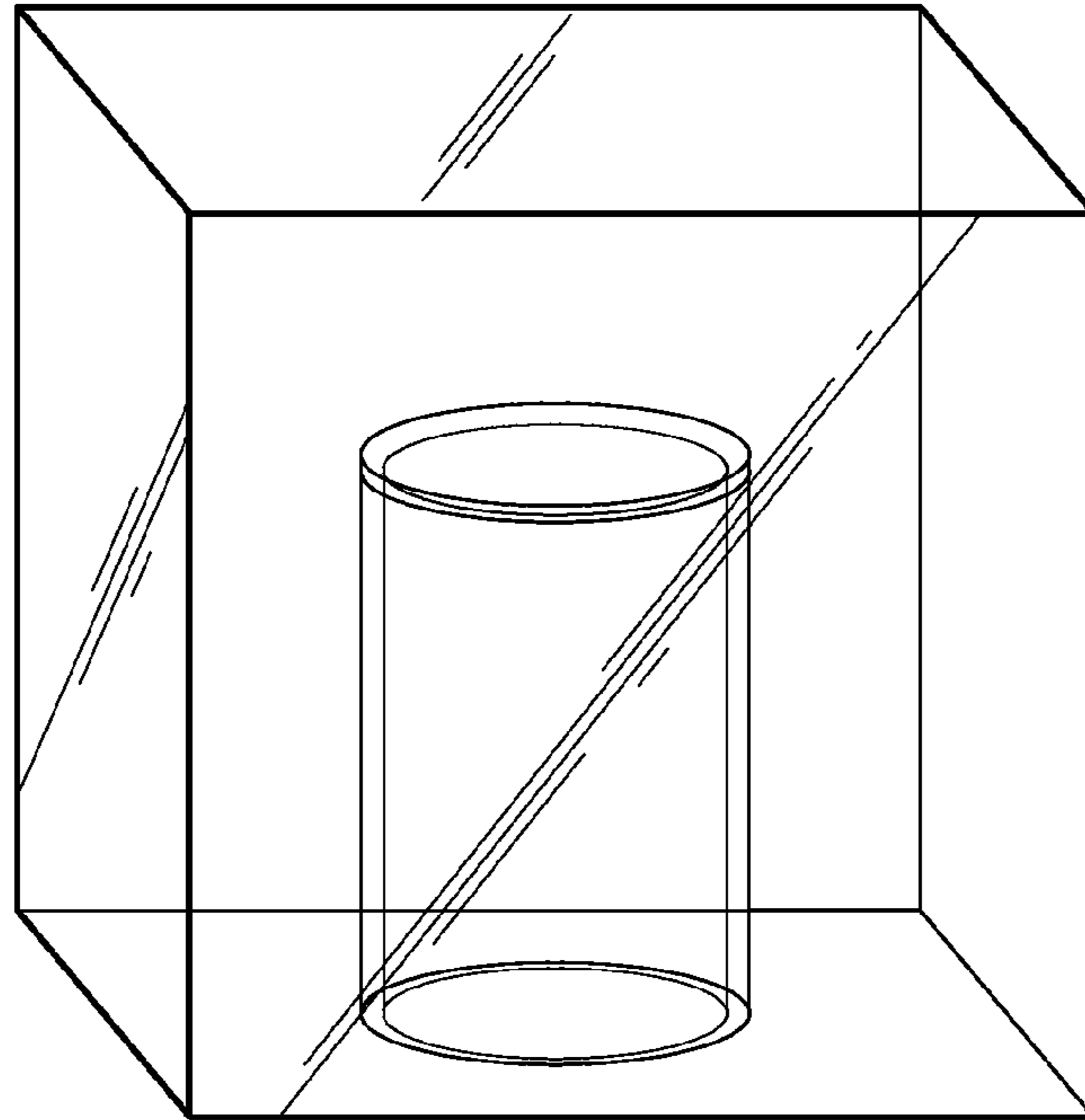
FIG. 1 is a perspective view of a combined aquarium and animal exhibit showing my new design; and,

FIG. 2 is a top plan view thereof.

**1 Claim, 1 Drawing Sheet**



**FIG. 1**



**FIG. 2**

