



US00D590542S

(12) **United States Design Patent**
Ullmann

(10) **Patent No.:** **US D590,542 S**

(45) **Date of Patent:** **** Apr. 14, 2009**

(54) **ELECTRIC SHAVER**

(75) Inventor: **Roland Ullmann**, Offenbach (DE)

(73) Assignee: **Braun GmbH**, Kronberg (DE)

(**) Term: **14 Years**

(21) Appl. No.: **29/308,309**

(22) Filed: **Jun. 10, 2008**

(30) **Foreign Application Priority Data**

Dec. 10, 2007 (DE) 4 07 06 068

(51) **LOC (9) Cl.** **28-03**

(52) **U.S. Cl.** **D28/49**

(58) **Field of Classification Search** D28/44,
D28/44.1, 49-54; 30/29.5, 32, 34.05, 34.1,
30/43-43.92, 44-45, 47-50, 84, 527
See application file for complete search history.

(56) **References Cited**

U.S. PATENT DOCUMENTS

D422,118 S * 3/2000 Kitagawa et al. D28/51
D429,376 S * 8/2000 Nagano et al. D28/49
D456,945 S * 5/2002 Ullmann D28/49
D471,671 S * 3/2003 Nishizawa D28/51

D477,113 S * 7/2003 Muramatsu et al. D28/51
D489,486 S * 5/2004 Ullmann D28/49
D505,751 S * 5/2005 Nagano D28/49
D512,183 S * 11/2005 Nagano et al. D28/51
D551,801 S * 9/2007 Ullmann D28/51
D567,441 S * 4/2008 Kling D28/44.1

* cited by examiner

Primary Examiner—Jennifer Rivard

(74) *Attorney, Agent, or Firm*—Fish & Richardson P.C.

(57) **CLAIM**

The ornamental design for an electric shaver, as shown and described.

DESCRIPTION

FIG. 1 is a perspective view of an electric shaver from above, showing my new design;

FIG. 2 is a front view of the shaver thereof;

FIG. 3 is a side view of the shaver thereof;

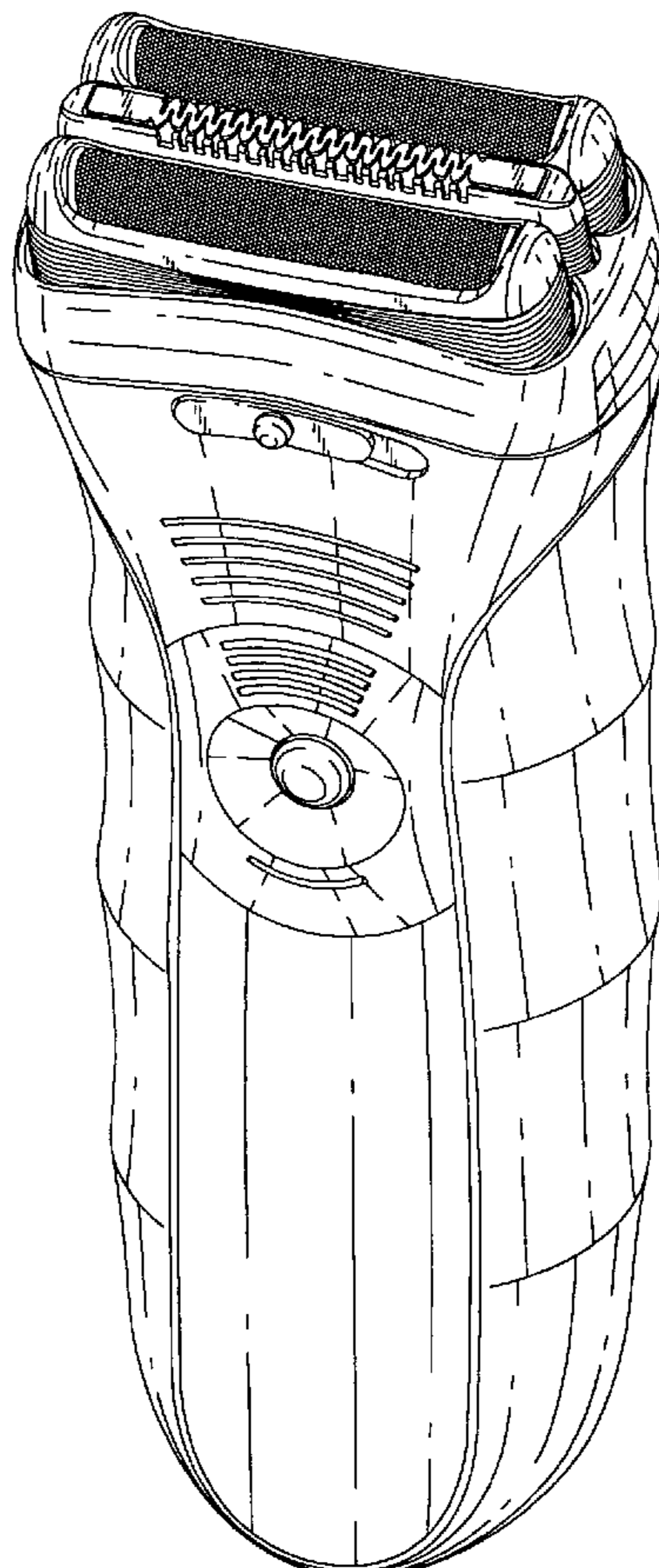
FIG. 4 is a rear view of the shaver thereof;

FIG. 5 is a side view of the shaver thereof;

FIG. 6 is a bottom plan view of the shaver thereof; and,

FIG. 7 is a top plan view of the shaver thereof.

1 Claim, 6 Drawing Sheets



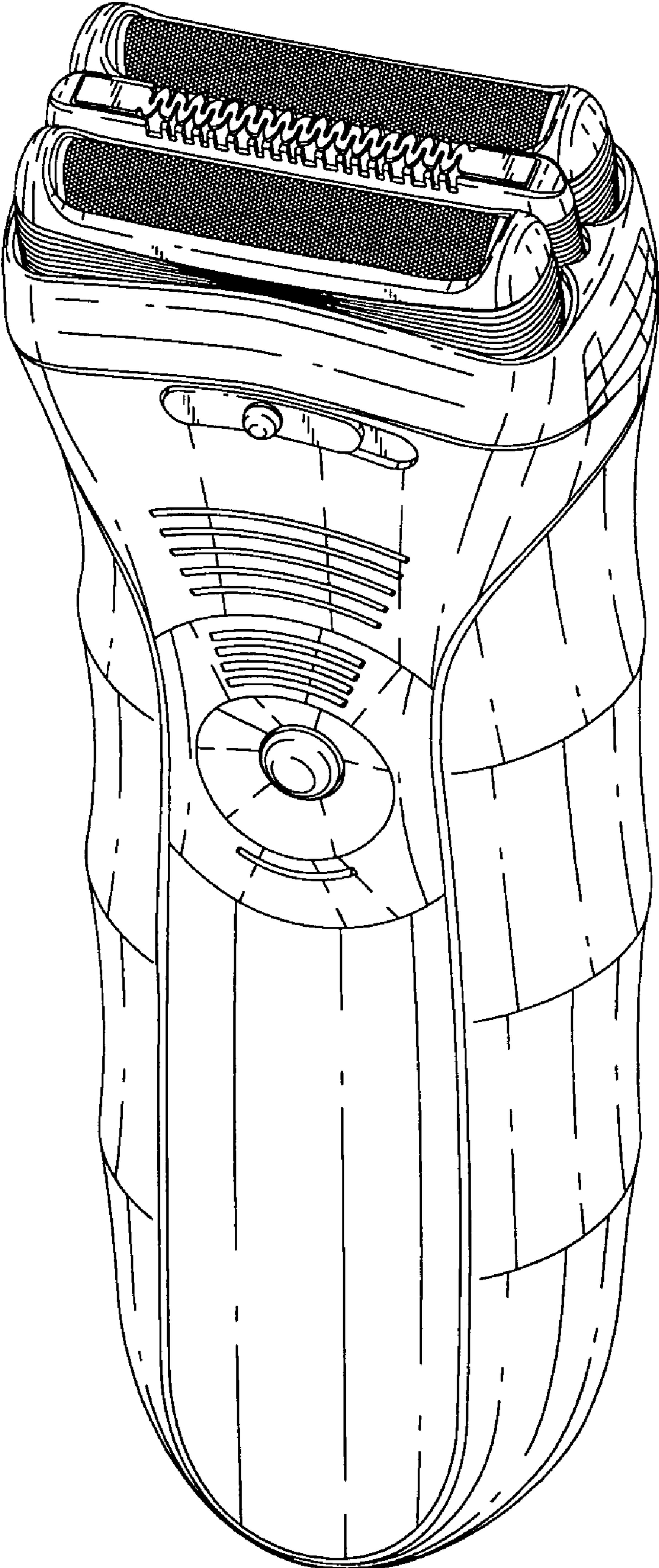


Fig. 1

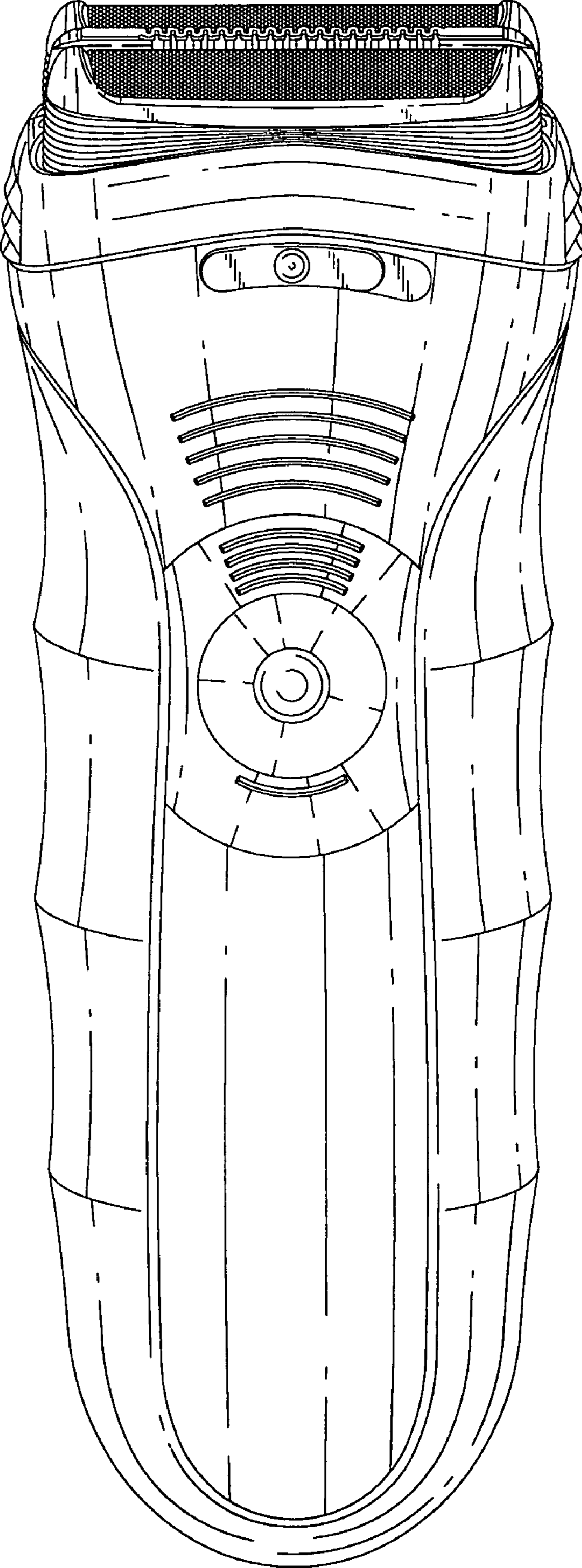


Fig. 2

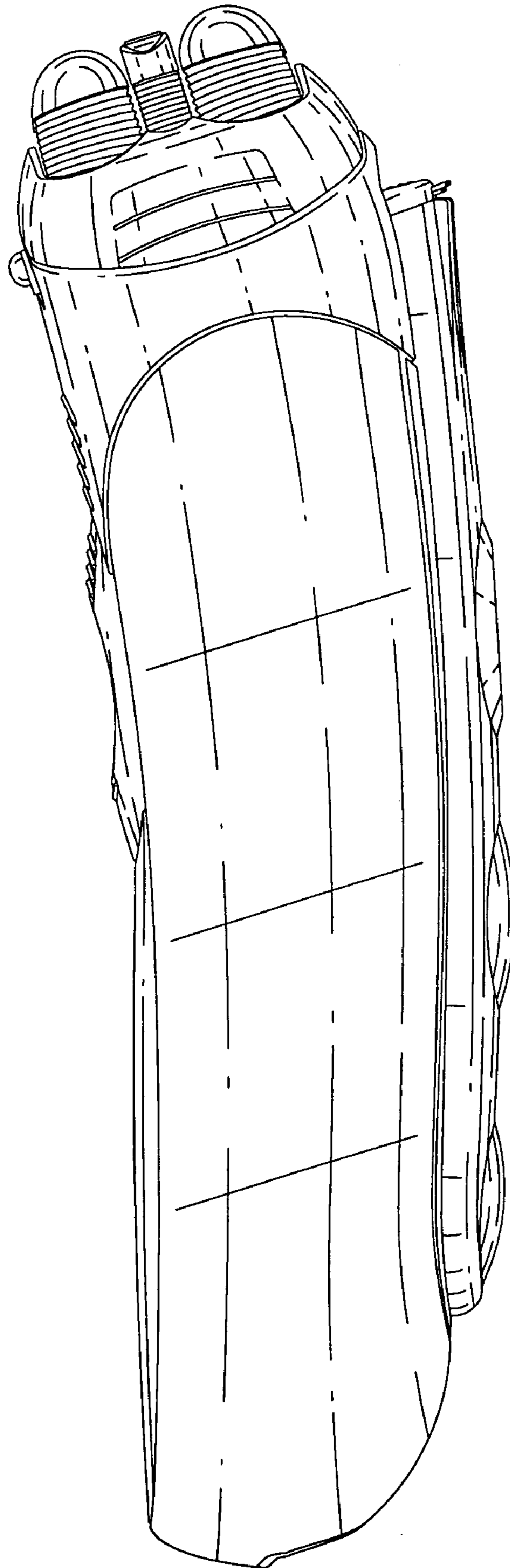


Fig. 3

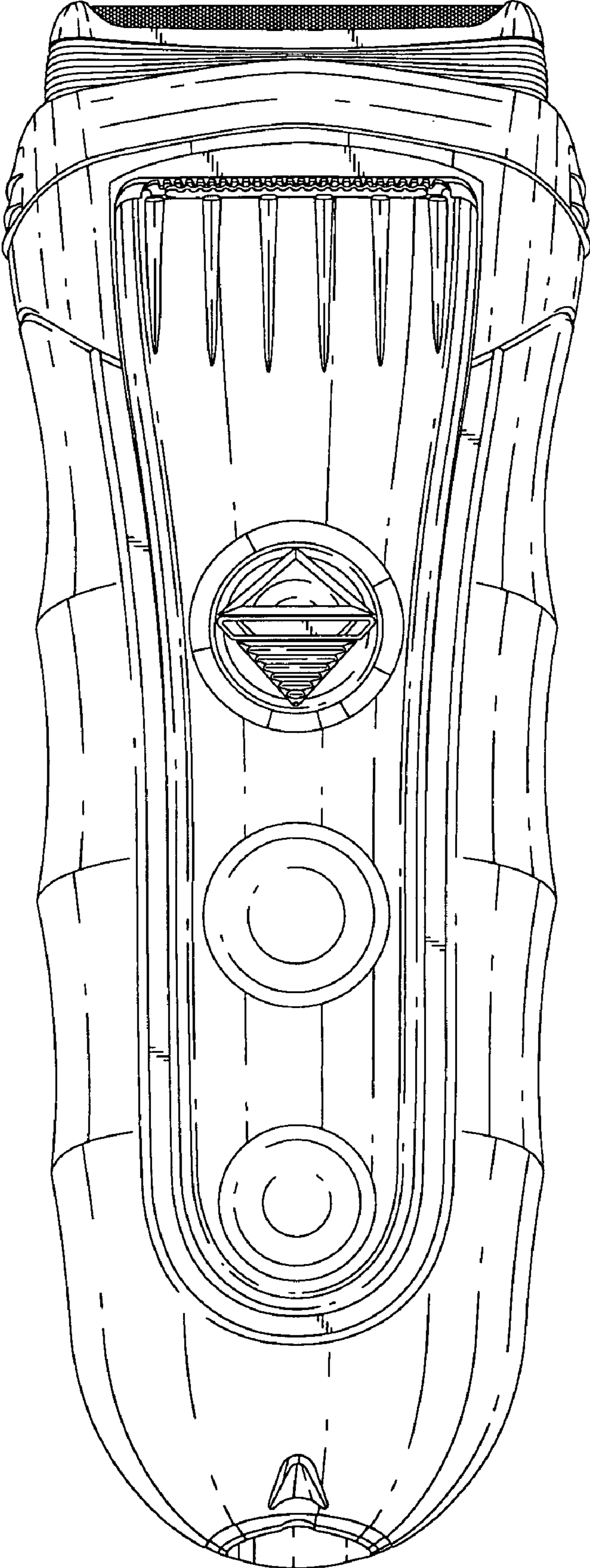


Fig. 4

Fig. 5

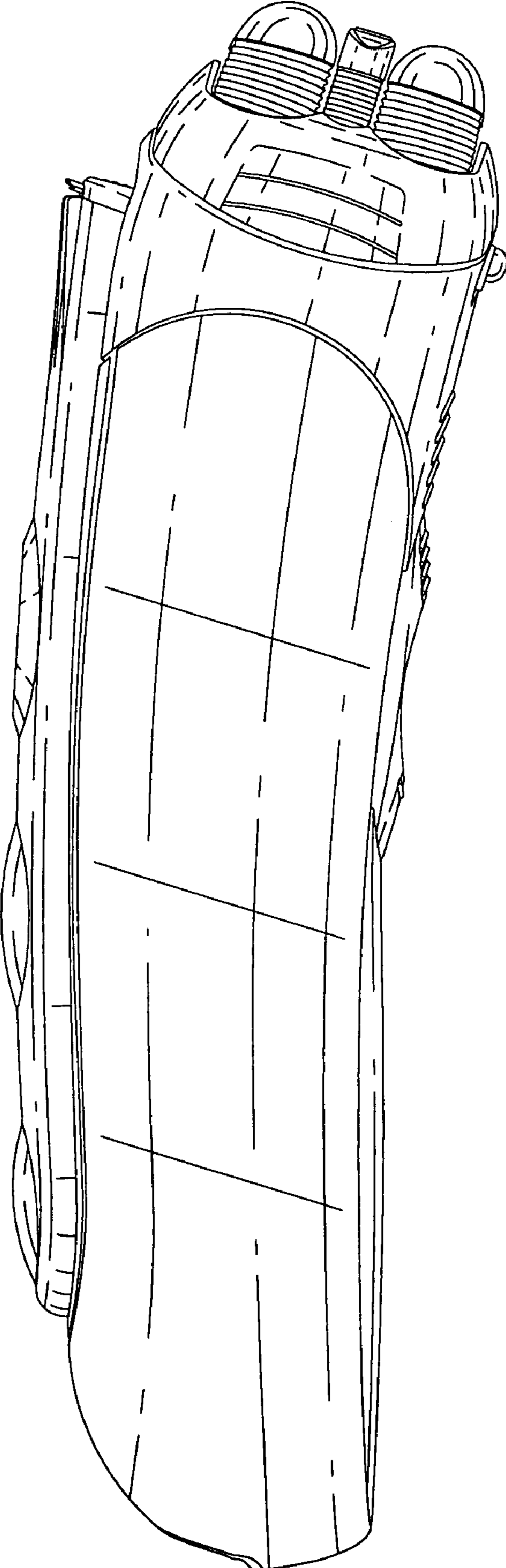


Fig. 6

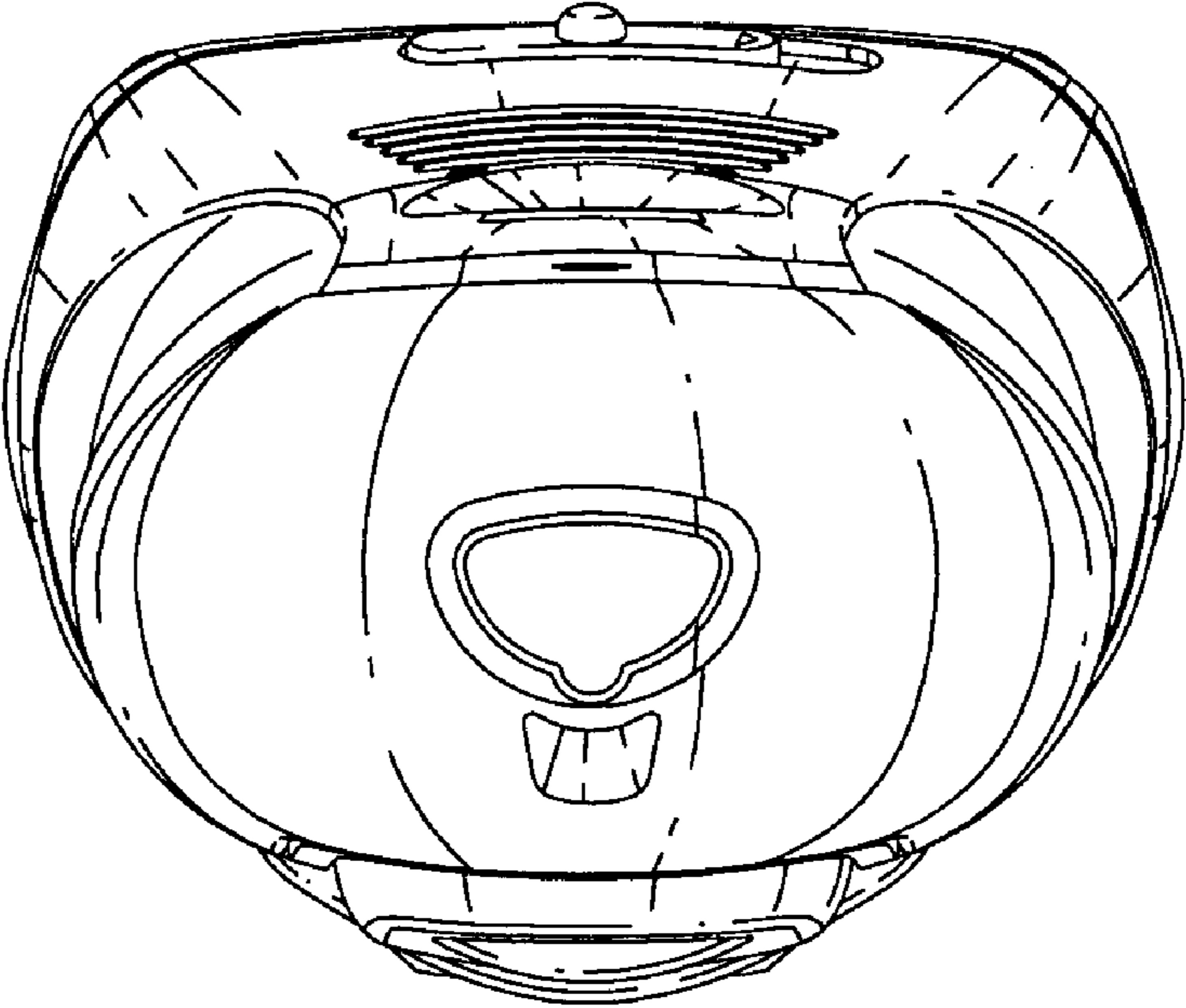


Fig. 7

