

US00D590540S

(12) **United States Design Patent**
Ko

(10) **Patent No.:** **US D590,540 S**

(45) **Date of Patent:** **** Apr. 14, 2009**

(54) **HOOK HOLDER CAP AND RETRACTABLE HOOK TO BE USED IN HAND LAMP**

(76) **Inventor:** **Wai-Shing Peter Ko**, 125 Holly Springs Dr., Peachtree City, GA (US) 30269

(**) **Term:** **14 Years**

(21) **Appl. No.:** **29/319,884**

(22) **Filed:** **Jun. 17, 2008**

(51) **LOC (9) Cl.** **26-99**

(52) **U.S. Cl.** **D26/138**

(58) **Field of Classification Search** D26/2, D26/36, 42, 37, 113, 119, 138, 153, 154, D26/124, 24, 26, 38, 41, 49, 50, 142, 152, D26/60, 61, 70, 72, 74, 85, 86, 93, 140, 136, D26/118, 120, 128, 129, 130, 133, 134, 135; 362/101, 396, 267, 145, 147, 148, 218, 257, 362/285, 373, 441, 800; D24/201; D13/179, D13/180; 248/339

See application file for complete search history.

(56) **References Cited**

U.S. PATENT DOCUMENTS

1,363,935	A *	12/1920	Vette	248/343
1,635,323	A *	7/1927	Ile	439/753
D137,334	S *	2/1944	Siemers	D26/119
D139,758	S *	12/1944	Hoffman	D26/119
2,465,414	A *	3/1949	Abshire	313/51
2,492,618	A *	12/1949	Bowie	315/5.44
3,696,239	A *	10/1972	Duddy	362/275
4,272,803	A *	6/1981	Johnson	362/399
D300,602	S *	4/1989	Smith, Sr.	D8/303

D326,726	S *	6/1992	Swain, Jr.	D26/51
D458,400	S *	6/2002	Kovacik et al.	D26/50
6,601,814	B2 *	8/2003	Kovacik et al.	248/339
6,830,360	B1 *	12/2004	Galvez	362/249
D526,077	S *	8/2006	Leen	D26/42
7,246,927	B2 *	7/2007	Wikle et al.	362/396
2006/0221615	A1 *	10/2006	Bayat et al.	362/260

* cited by examiner

Primary Examiner—Cathron C Brooks
Assistant Examiner—Kevin K Rudzinski

(57) **CLAIM**

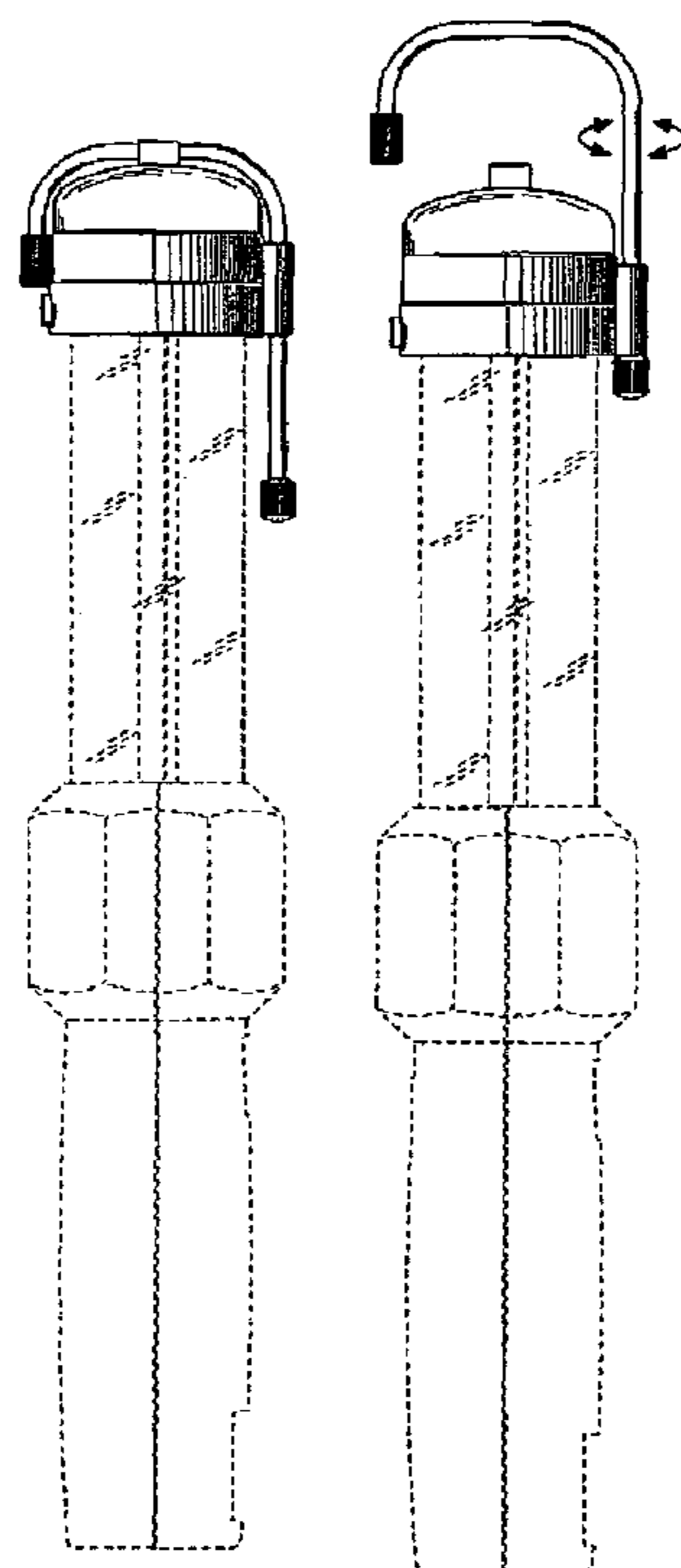
The ornamental design for a hook holder cap and retractable hook to be used in hand lamp, as shown and described.

DESCRIPTION

FIG. 1 is a perspective view of a hook holder cap and retractable hook to be used in hand lamp, showing my invention; FIG. 2 is a front elevational view of the invention; FIG. 3 is a rear elevational view of the invention; FIG. 4 is a left-side elevational view of the invention, the right-side elevational view being a mirror image thereof; FIG. 5 is a top plan view of the invention; and, FIG. 6 is another view showing the extended hook, the two circular arrows included demonstrate that the hook is rotatable.

The broken line showing of hand lamp is included for the purpose of illustrating environmental structure and forms no part of the claimed design.

1 Claim, 2 Drawing Sheets



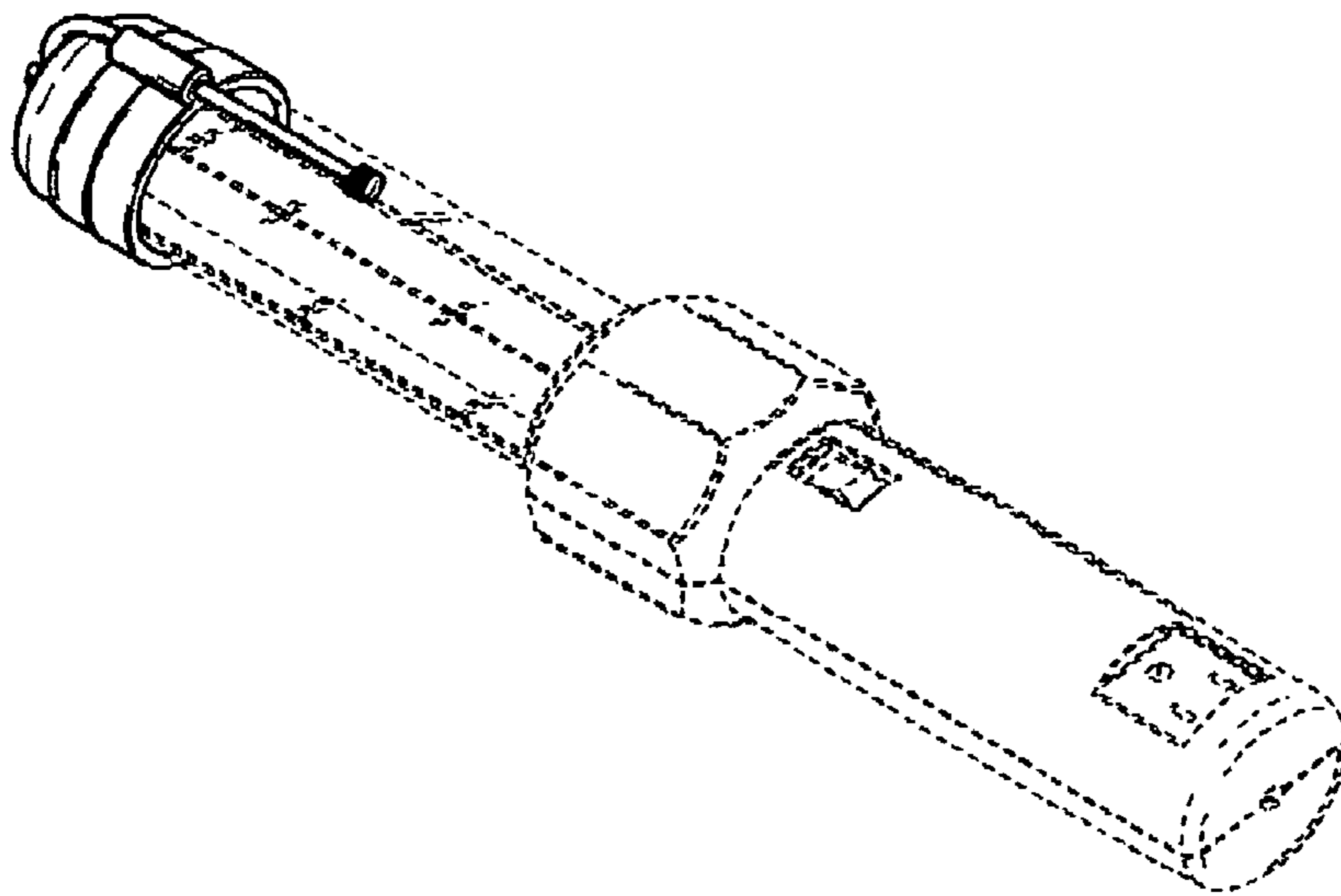


FIG. 1

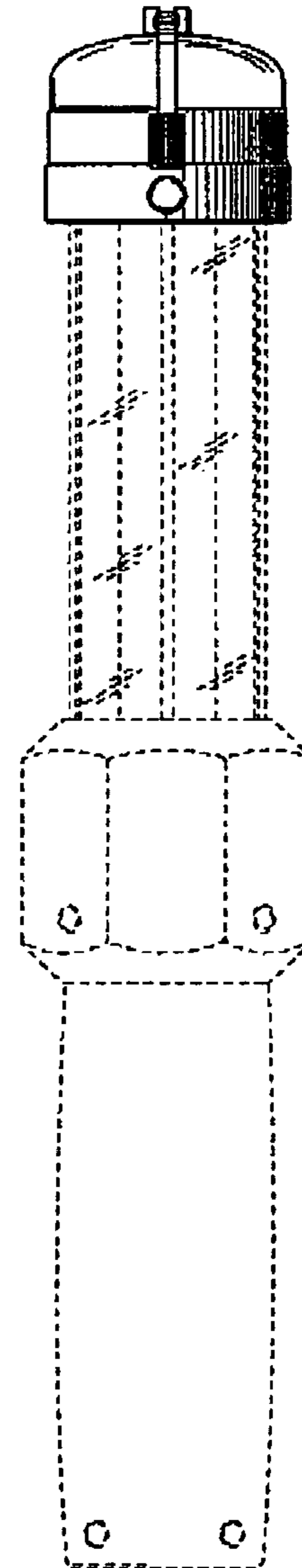


FIG. 2

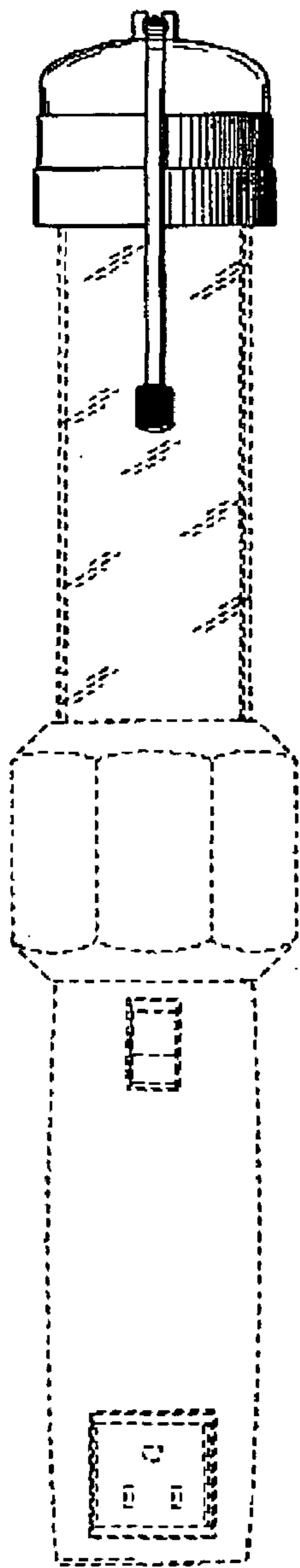


FIG. 3

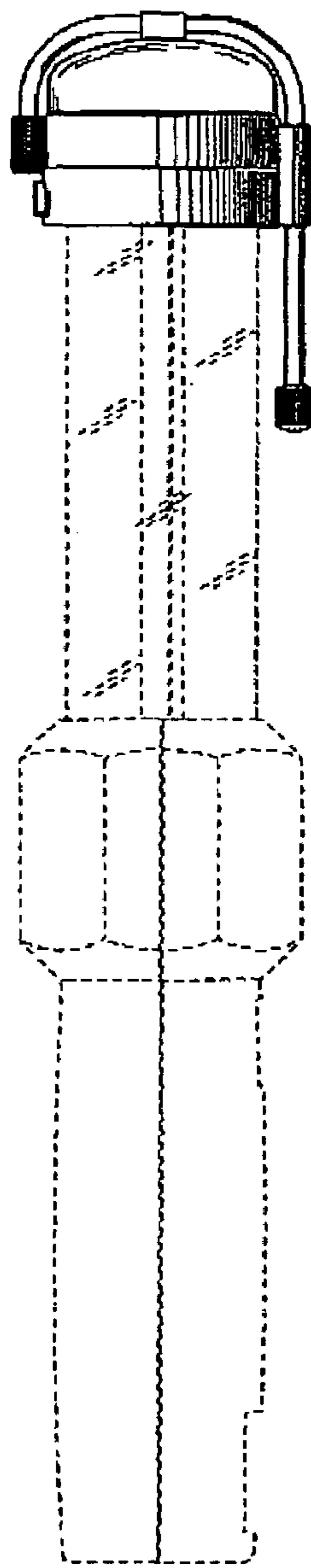


FIG. 4

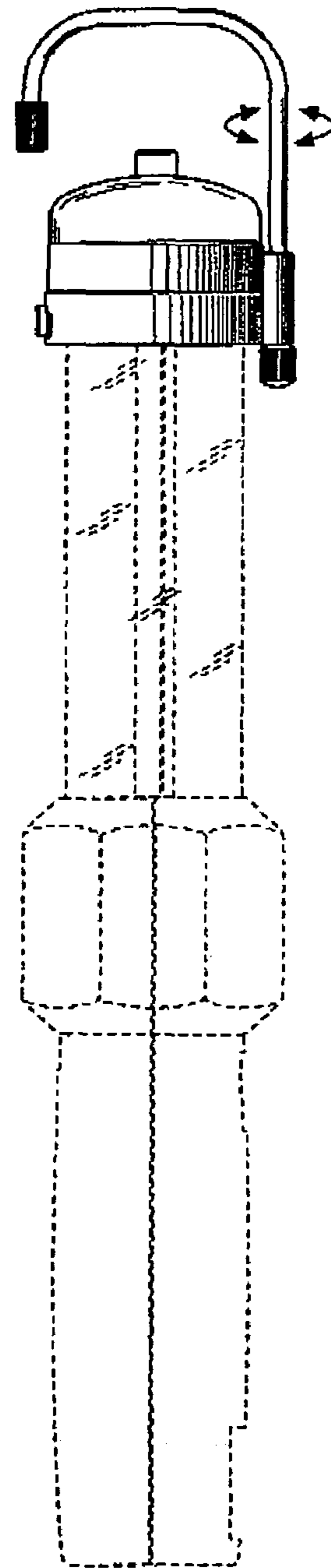


FIG. 6

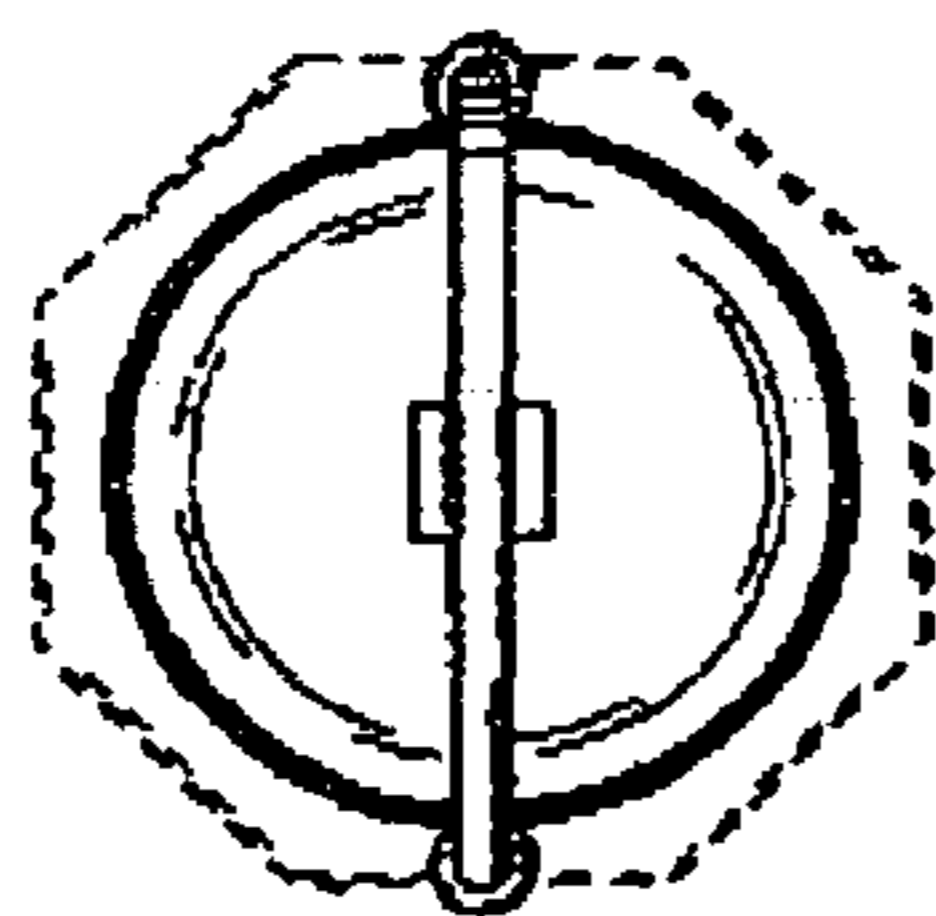


FIG. 5