



US00D590539S

(12) **United States Design Patent**
Ohmori

(10) **Patent No.:** **US D590,539 S**
(45) **Date of Patent:** **** Apr. 14, 2009**

(54) **CONTACT FOR COLD CATHODE
FLUORESCENT LAMP**

(75) Inventor: **Yasuhiro Ohmori, Yao (JP)**

(73) Assignee: **Hosiden Corporation, Yao-shi (JP)**

(**) Term: **14 Years**

(21) Appl. No.: **29/300,528**

(22) Filed: **Apr. 7, 2008**

(30) **Foreign Application Priority Data**

Nov. 28, 2007 (JP) 2007-032613

(51) **LOC (9) Cl.** **26-99**

(52) **U.S. Cl.** **D26/138**

(58) **Field of Classification Search** D26/28,
D26/138, 142, 154, 36, 113, 118, 128; 439/226,
439/166, 375, 231, 241, 831, 436; D8/354,
D8/395, 394; 362/649, 105, 191, 190, 106,
362/108; D13/147, 146; D29/122; D10/113,
D10/114

See application file for complete search history.

(56) **References Cited**

U.S. PATENT DOCUMENTS

2,247,117	A *	6/1941	De Reamer	439/241
D186,435	S *	10/1959	Wilson	D8/395
2,943,295	A *	6/1960	Stewart	439/831
5,092,795	A *	3/1992	Kitagawa	439/668
D377,754	S *	2/1997	Abbott et al.	D8/395
5,816,837	A *	10/1998	Henrici et al.	439/231
6,309,236	B1 *	10/2001	Ullrich	439/226
6,528,932	B2 *	3/2003	Arakawa et al.	313/318.01
7,059,888	B2 *	6/2006	Frappier et al.	439/375
7,125,158	B2 *	10/2006	Zonta	362/649

* cited by examiner

Primary Examiner—Cathron C Brooks
Assistant Examiner—Kevin K Rudzinski

(74) *Attorney, Agent, or Firm*—Kratz, Quintos Hanson, LLP

(57) **CLAIM**

The ornamental design for a contact for cold cathode fluorescent lamp, as shown and described.

DESCRIPTION

FIG. 1 is a front elevation view of the contact for cold cathode fluorescent lamp;

FIG. 2 is a back elevation view thereof;

FIG. 3 is a top plan view thereof;

FIG. 4 is a bottom plan view thereof;

FIG. 5 is a right side elevation view thereof, the left side being a mirror image thereof;

FIG. 6 is a top, front, and right side perspective view thereof;

FIG. 7 is a top, back, and left side perspective view thereof;

FIG. 8 is a front elevation view thereof, illustrating connection to a cold cathode fluorescent lamp and to an adapter connected to the lamp;

FIG. 9 is a back elevation view thereof, illustrating connection to a cold cathode fluorescent lamp and to an adapter connected to the lamp;

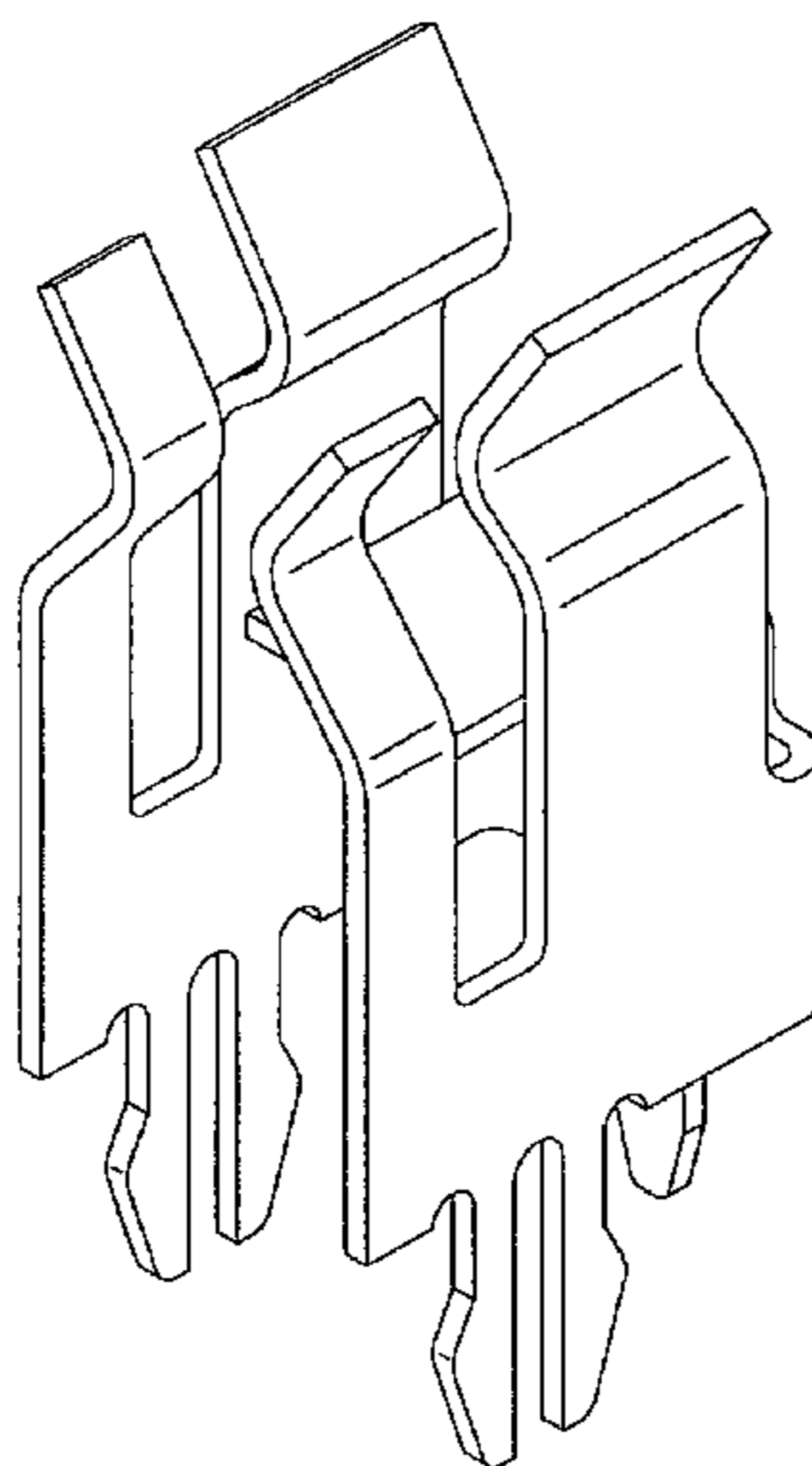
FIG. 10 is a top plan view thereof, illustrating connection to a cold cathode fluorescent lamp and to an adapter connected to the lamp;

FIG. 11 is a right side elevation view thereof, illustrating connection to a cold cathode fluorescent lamp and to an adapter connected to the lamp; and,

FIG. 12 is a top, front, and right side perspective view thereof, illustrating connection to a cold cathode fluorescent lamp and to an adapter connected to the lamp.

The broken line showing of a cold cathode fluorescent lamp and adapter is included for the purpose of illustrating environmental structures and forms no part of the claimed design.

1 Claim, 12 Drawing Sheets



F i g . 1

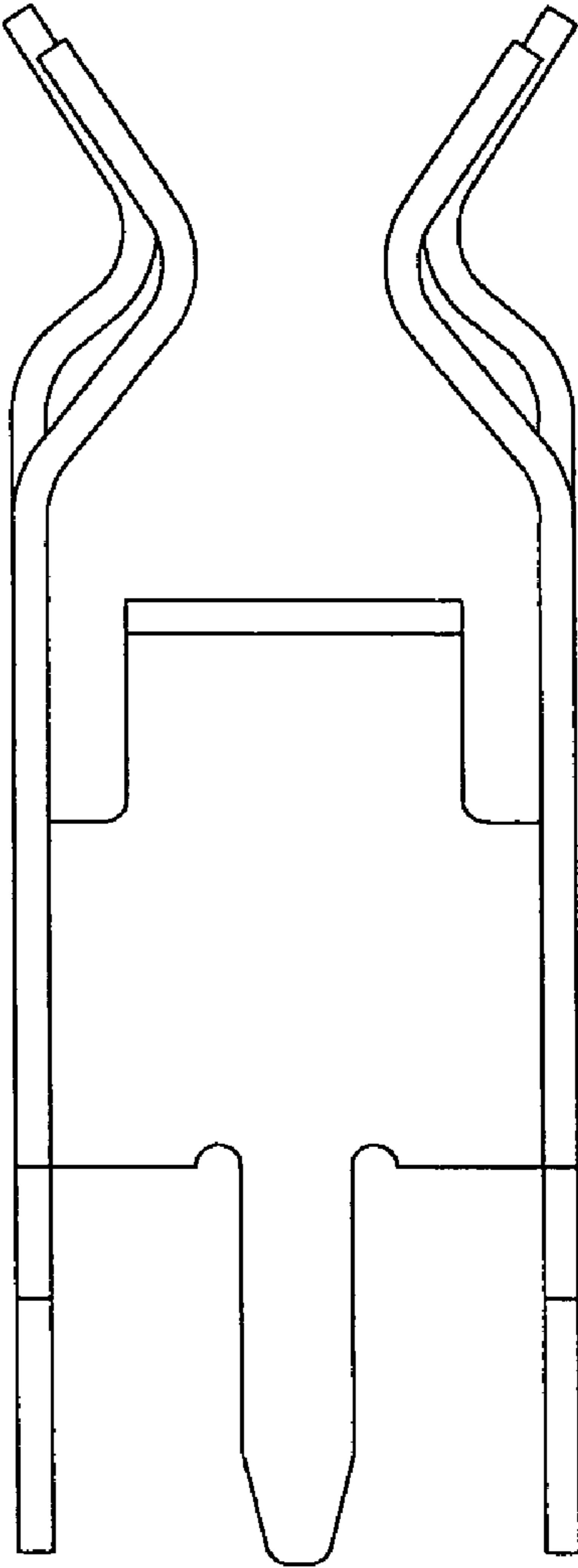
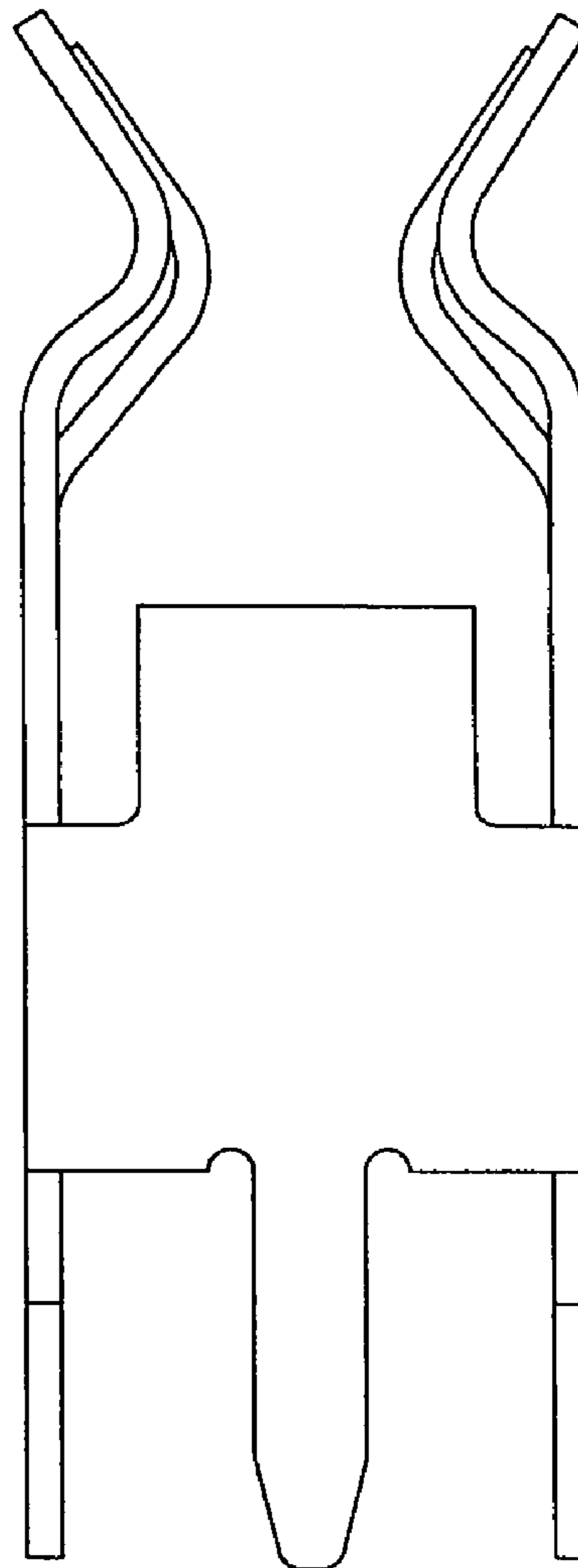
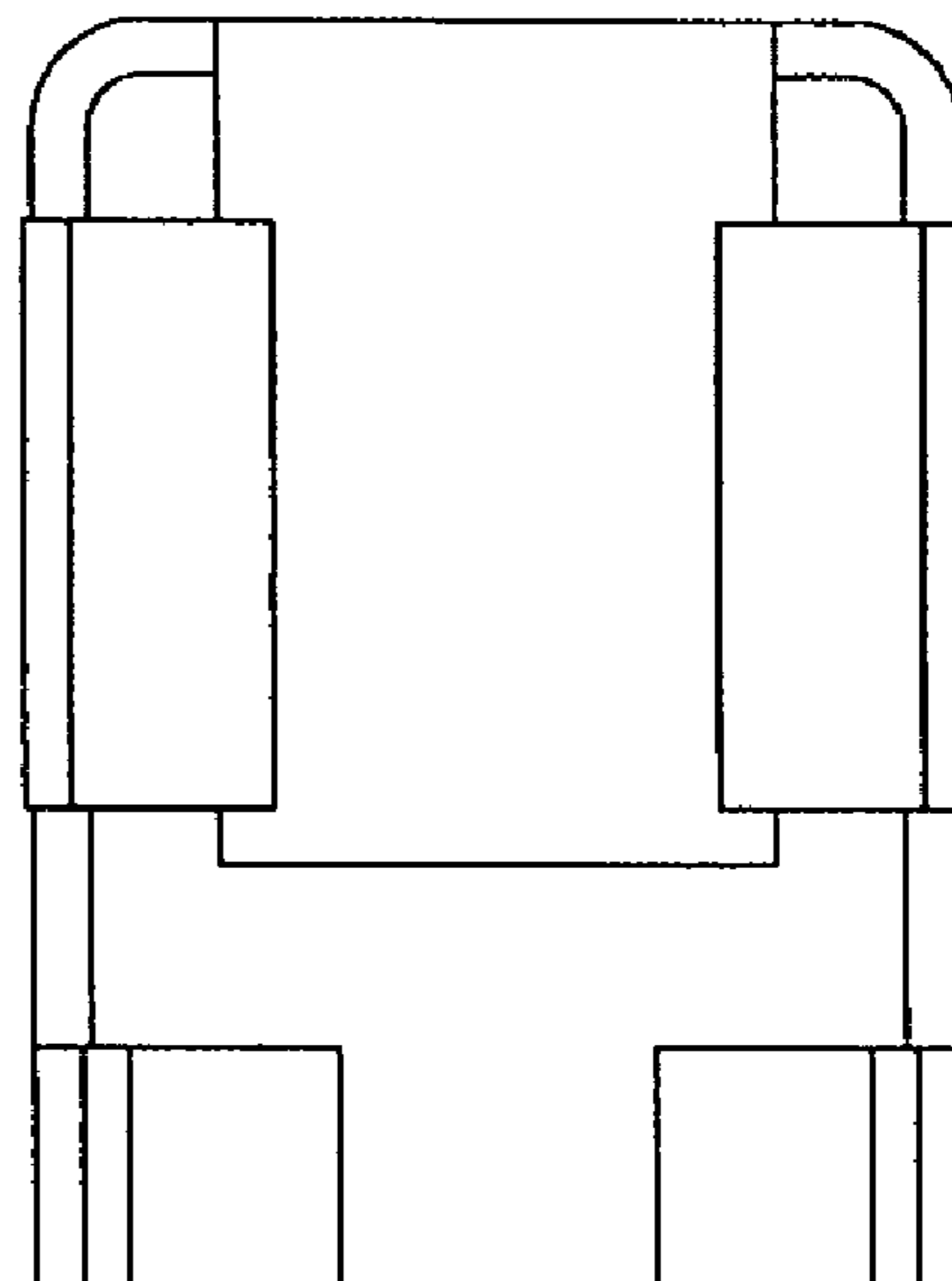


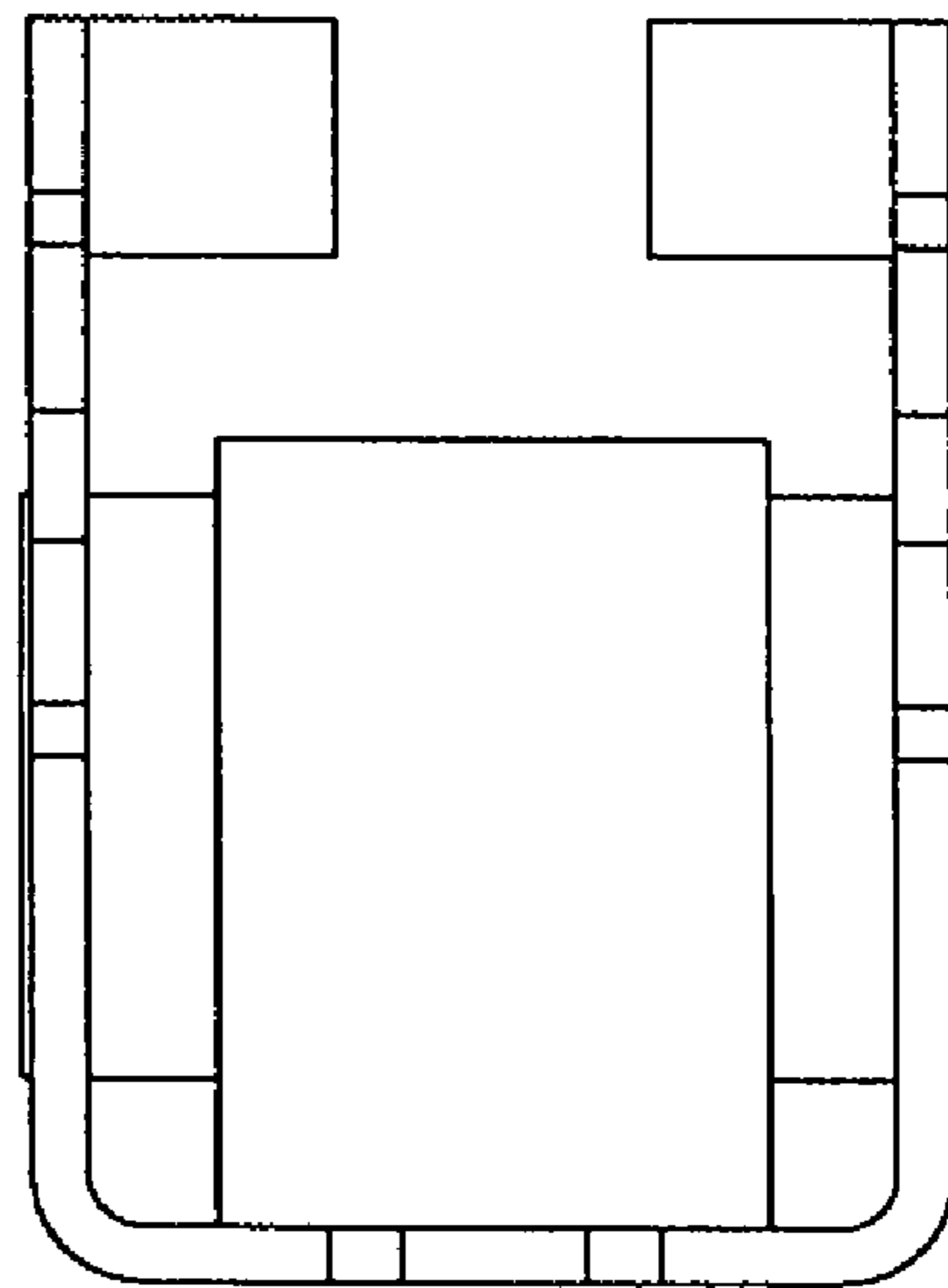
Fig. 2



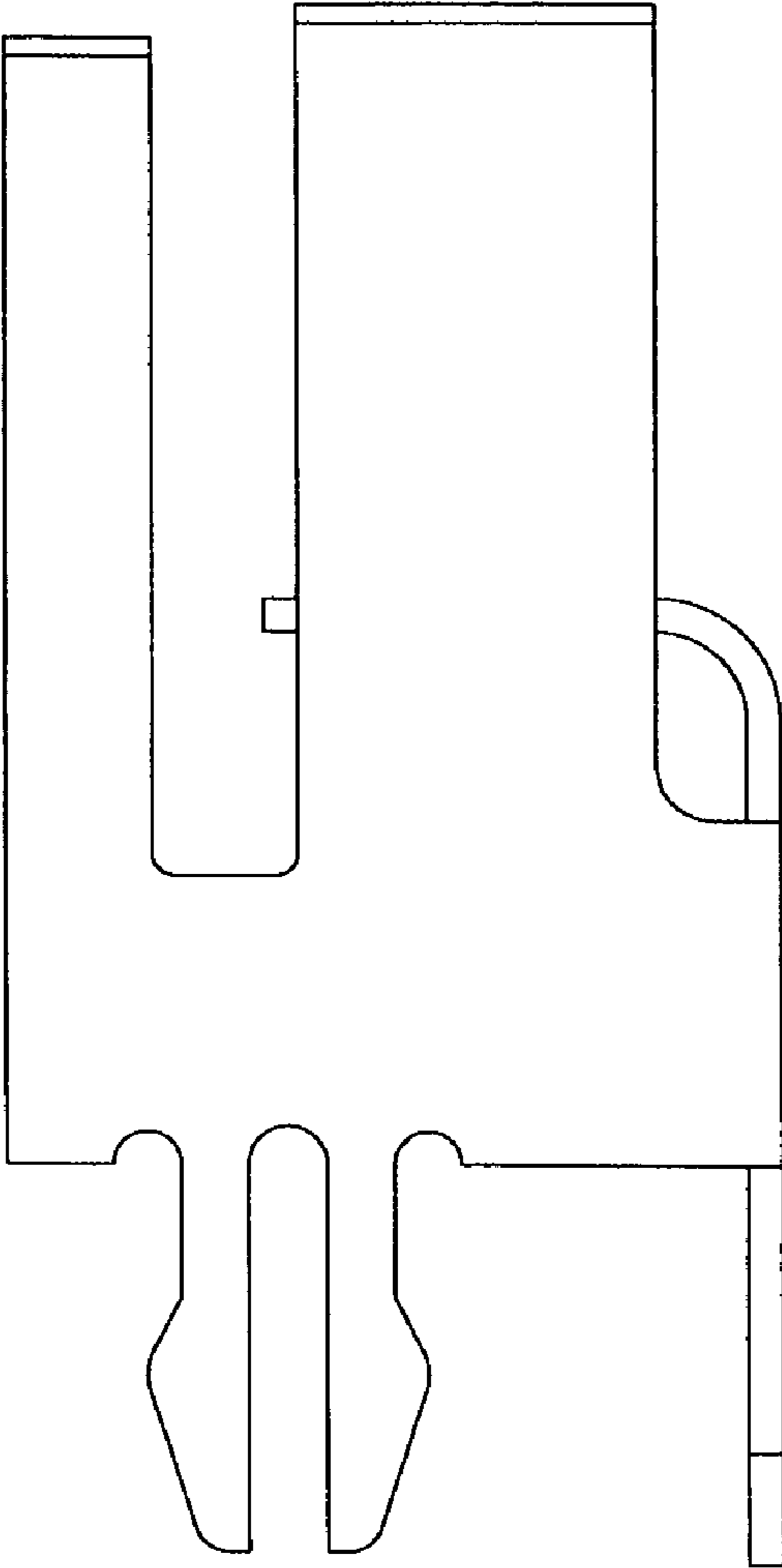
F i g . 3



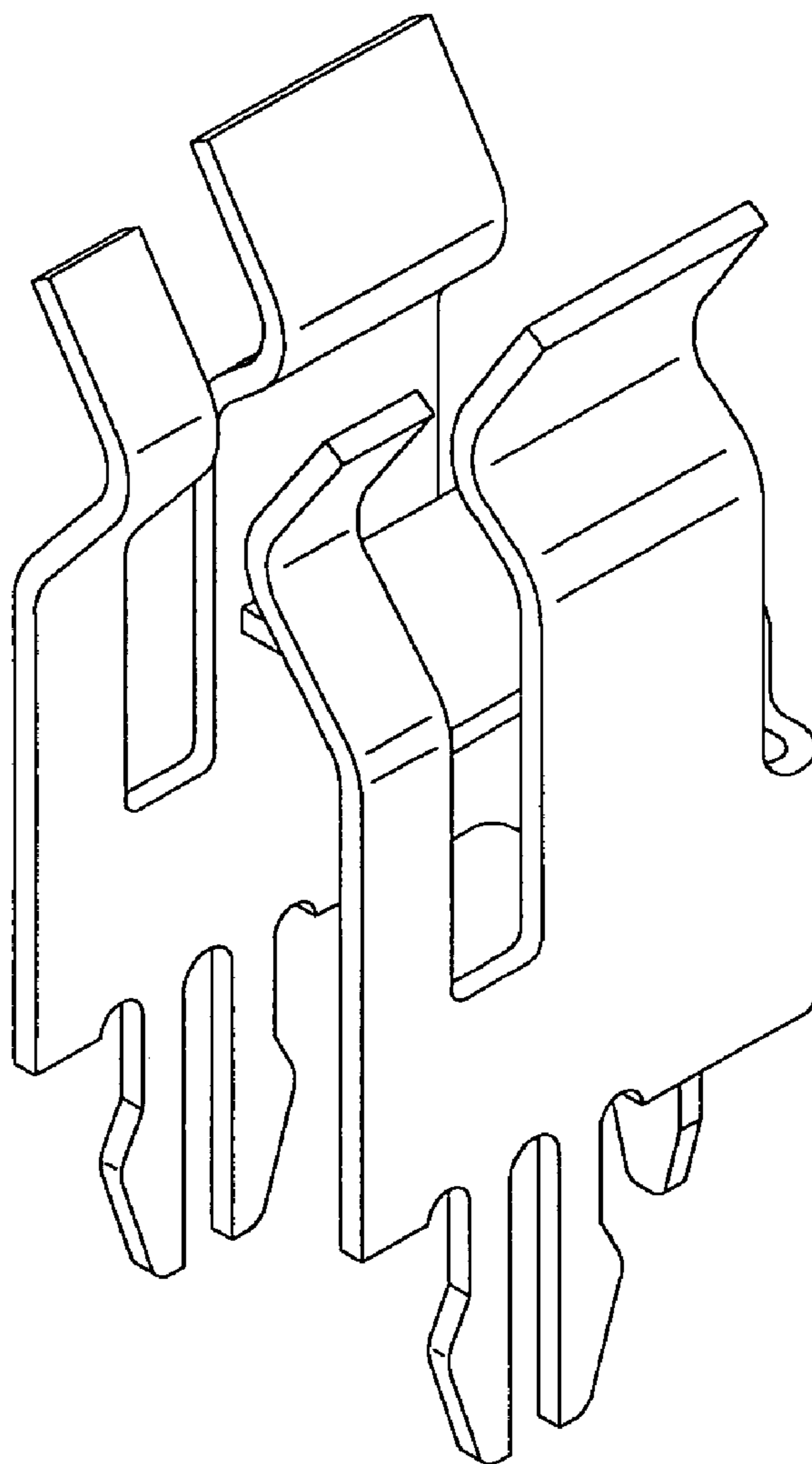
F i g . 4



F i g . 5



F i g . 6



F i g . 7

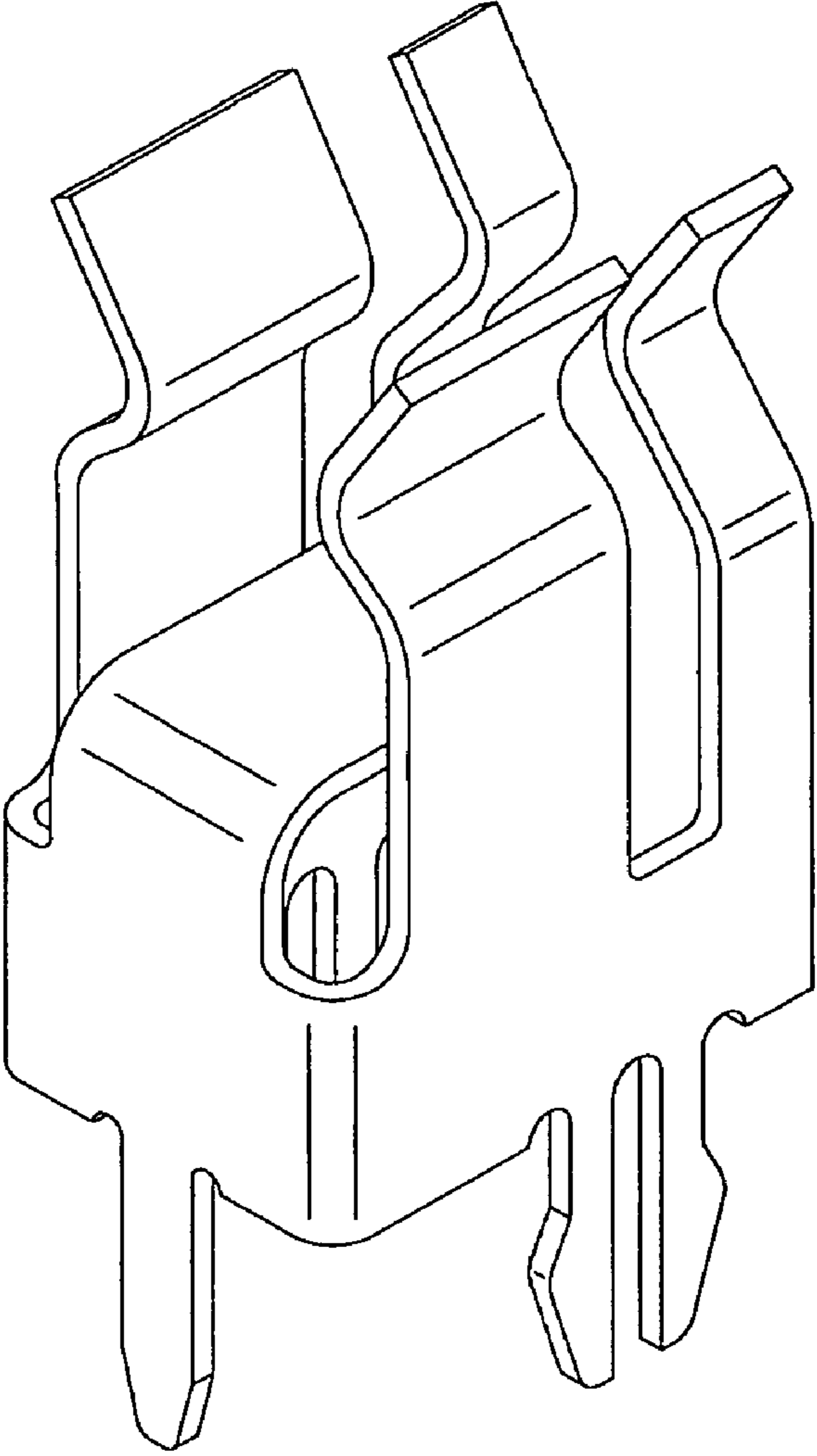
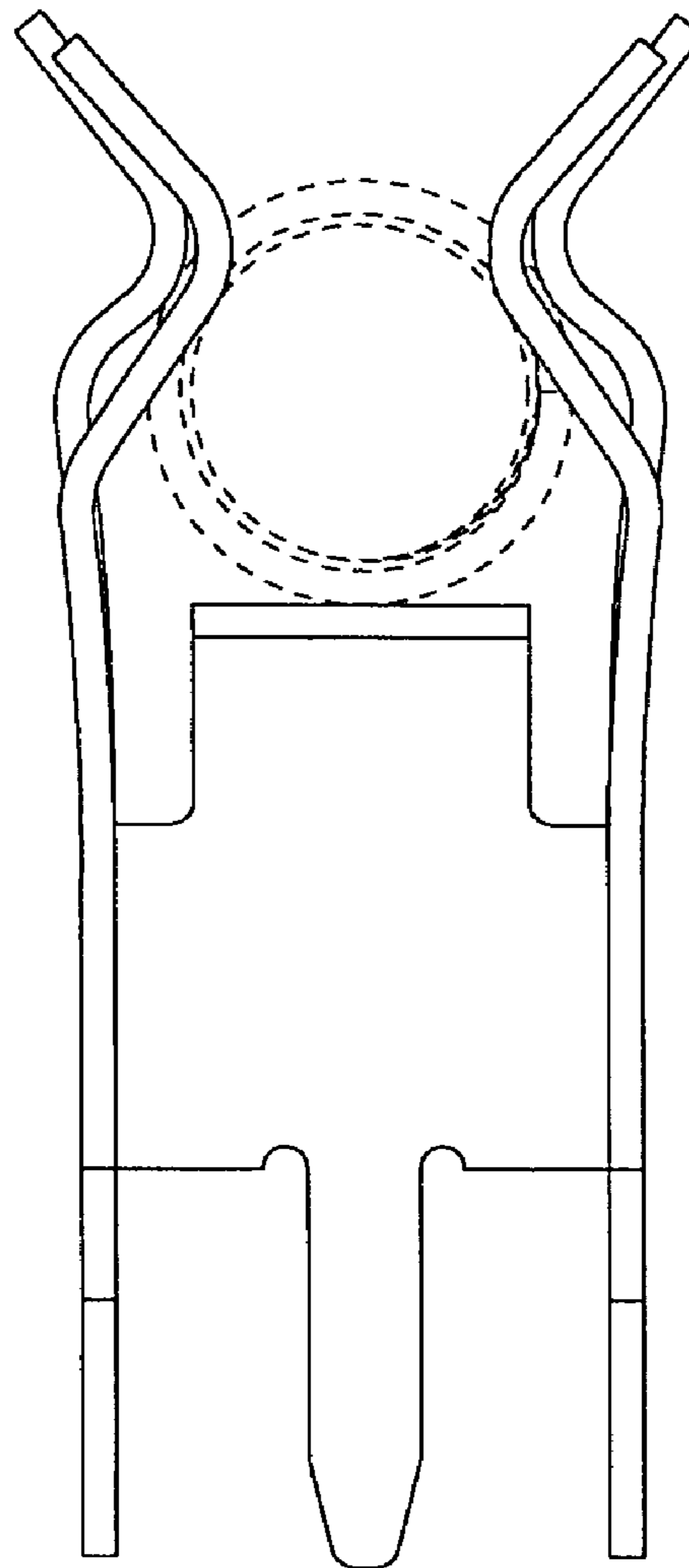
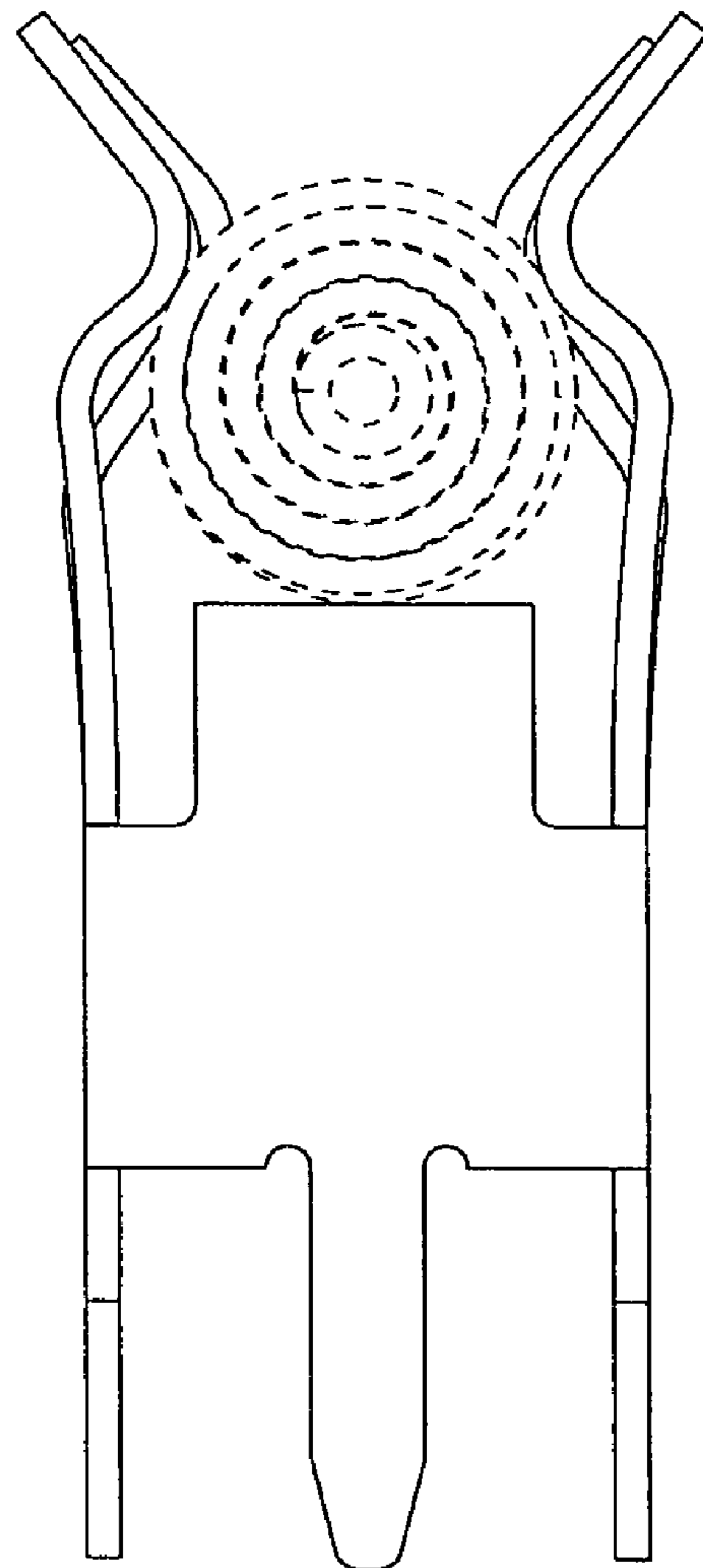


Fig. 8



F i g . 9



F i g . 1 0

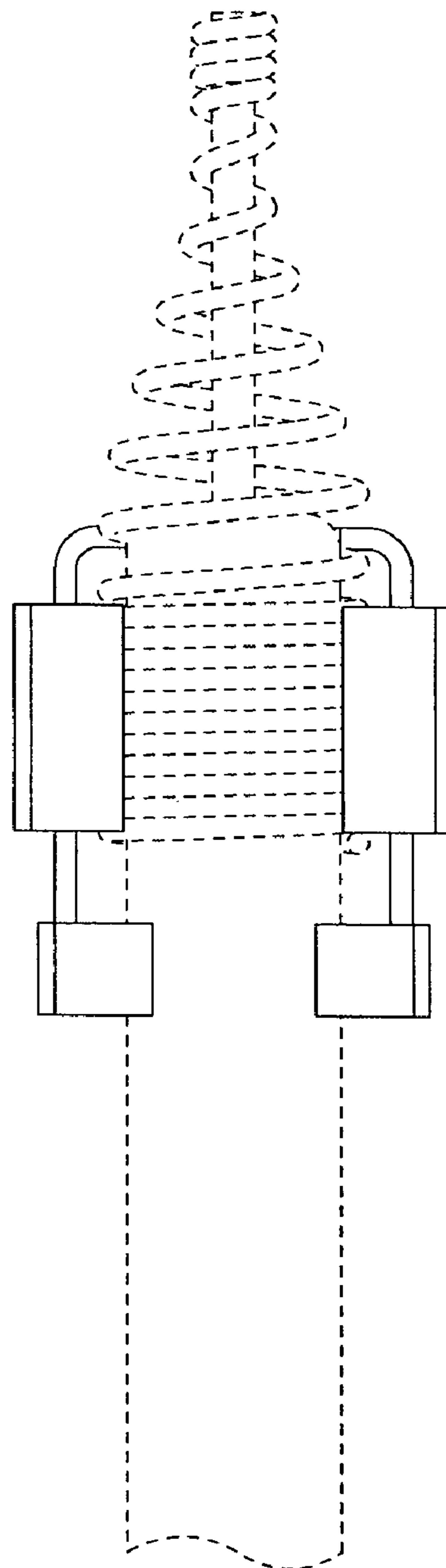


Fig. 11

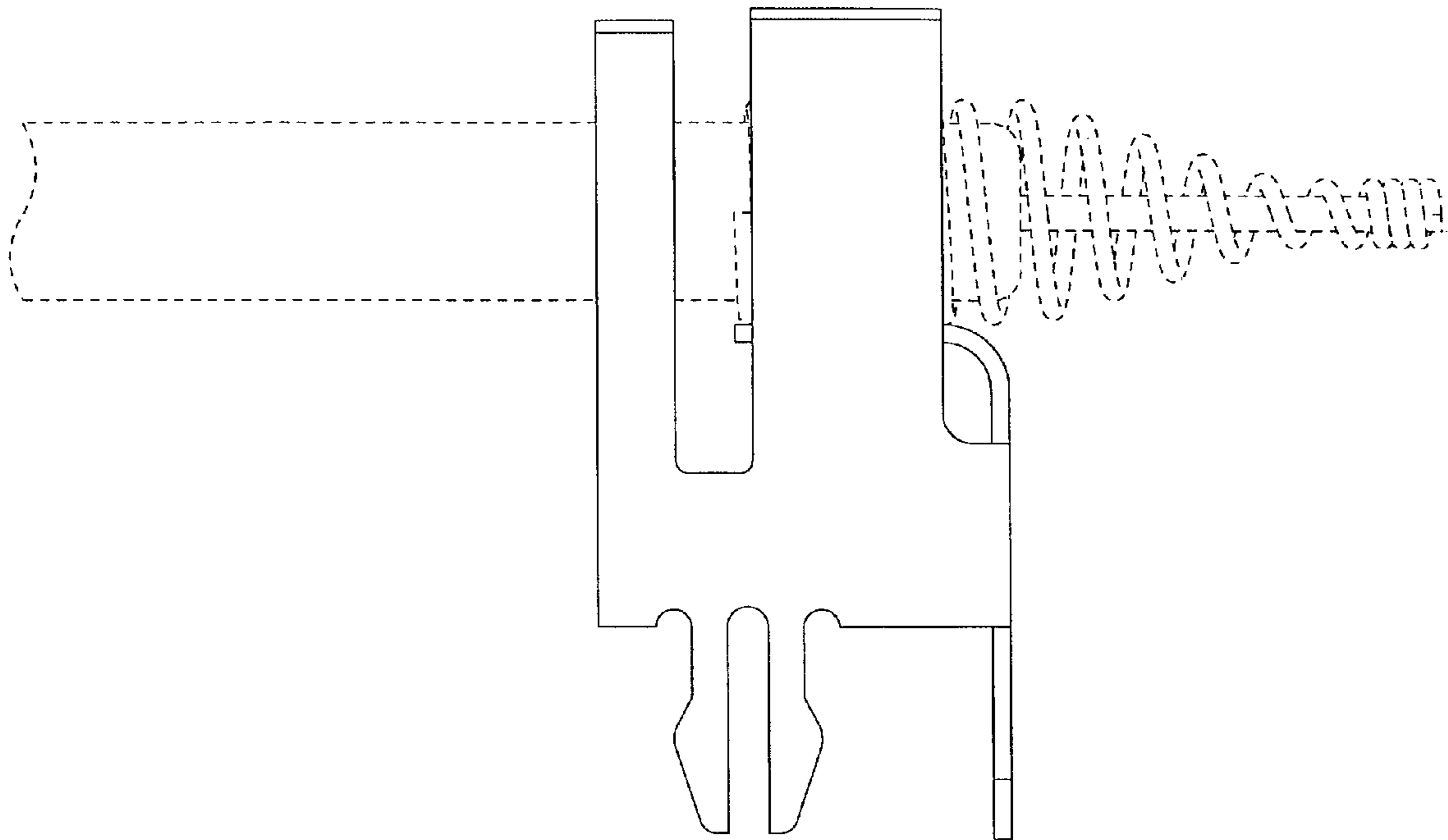


Fig. 12

