



US00D590535S

(12) **United States Design Patent**
Wnek et al.

(10) **Patent No.:** **US D590,535 S**
(45) **Date of Patent:** **** Apr. 14, 2009**

(54) **L.E.D. TRACK LAMP ASSEMBLY**

D467,372 S * 12/2002 Lee D26/35

(76) Inventors: **Matthew F. Wnek**, 1835 Baltimore Dr.,
Elk Grove Village, IL (US) 60007; **Paul**
G. Snagel, 1733 Gregory, Chicago, IL
(US) 60640

* cited by examiner

Primary Examiner—T. Chase Nelson
Assistant Examiner—Barbara Fox

(**) Term: **14 Years**

(57) **CLAIM**

(21) Appl. No.: **29/303,437**

The ornamental design for an L.E.D. track lamp assembly, as shown and described.

(22) Filed: **Feb. 8, 2008**

DESCRIPTION

(51) **LOC (9) Cl.** **26-05**

FIG. 1 is a top right perspective view of the L.E.D. track lamp assembly showing our new design;

(52) **U.S. Cl.** **D26/66**

FIG. 2 is a front elevational view;

(58) **Field of Classification Search** D26/24,
D26/37, 43, 44, 51, 56, 60–66, 71, 72, 85–93,
D26/107, 113, 118, 138, 142; 362/410, 413,
362/414, 419, 427, 285, 287, 282, 277, 275,
362/274, 271, 270, 269, 431, 401, 402, 251,
362/147, 432, 362, 155–157, 648, 250, 283;
D13/110, 133, 139.2; D10/106

FIG. 3 is a rear elevational view;

FIG. 4 is an left side elevational view, with the unshown right side elevational view being a mirror image thereof;

See application file for complete search history.

FIG. 5 is a top plan view; and

FIG. 6 is a bottom plan view; and,

(56) **References Cited**

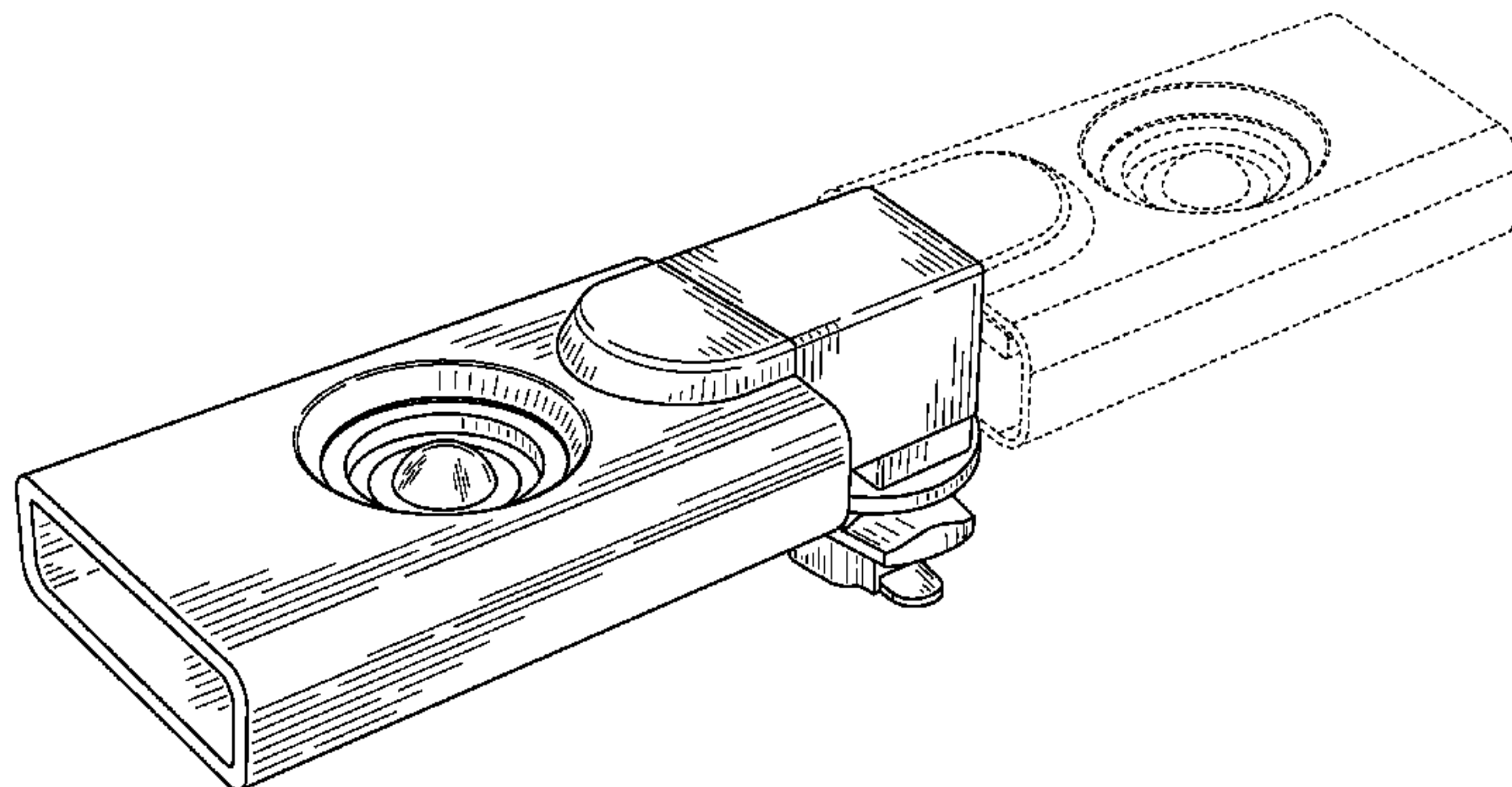
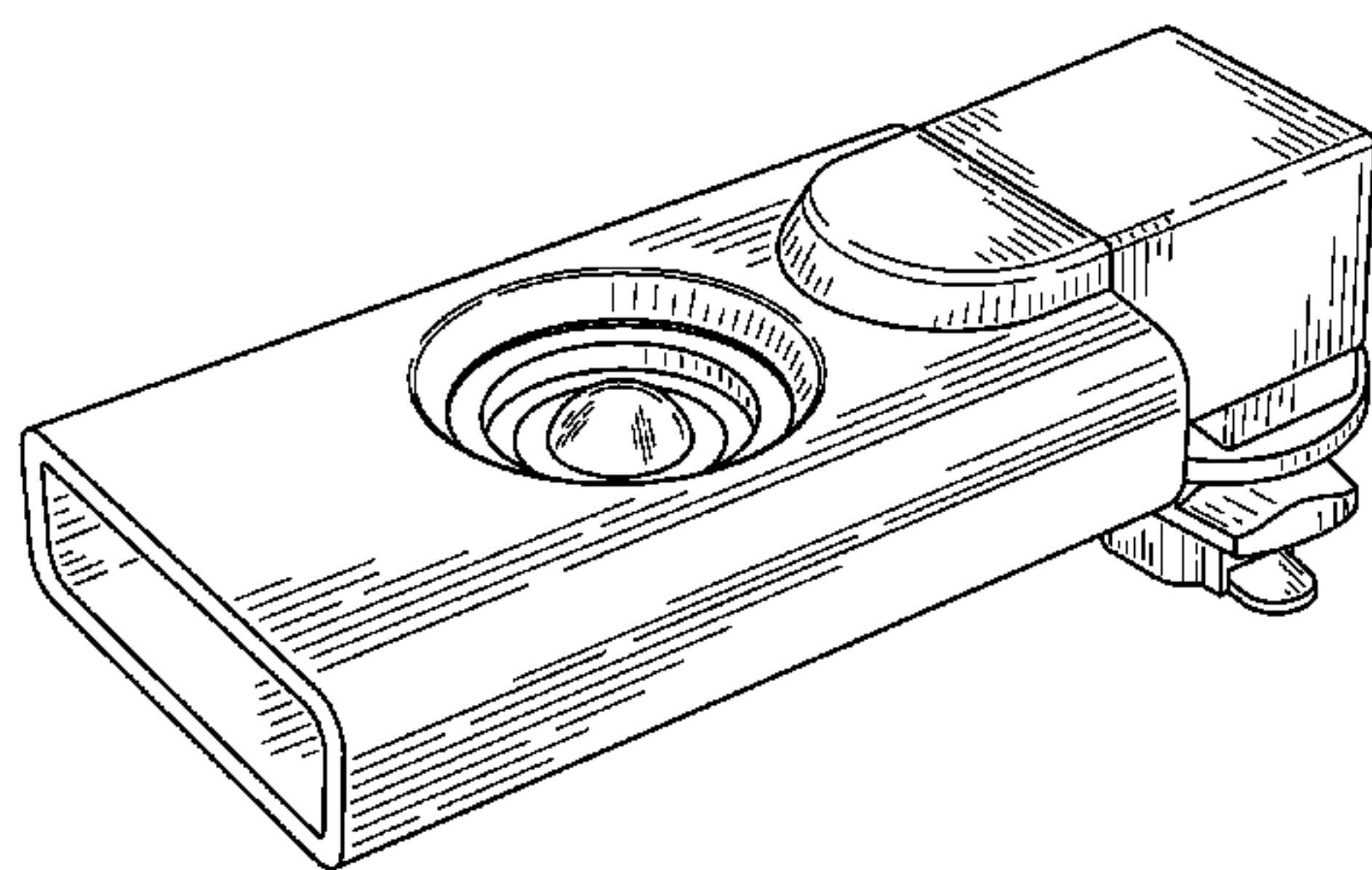
FIG. 7 is a top right perspective view of the L.E.D. track lamp assembly in an alternate configuration with a second light source shown in broken lines.

U.S. PATENT DOCUMENTS

The broken lines shown in the drawings illustrate unclaimed portions of the article and environmental structure, and form no part of the claimed design.

D397,486	S	*	8/1998	Engle et al.	D26/87
5,842,775	A	*	12/1998	Roorda et al.	362/294
6,019,494	A	*	2/2000	Lee	362/249
6,050,708	A	*	4/2000	Roorda	362/375
D447,593	S	*	9/2001	Lee	D26/87

1 Claim, 3 Drawing Sheets



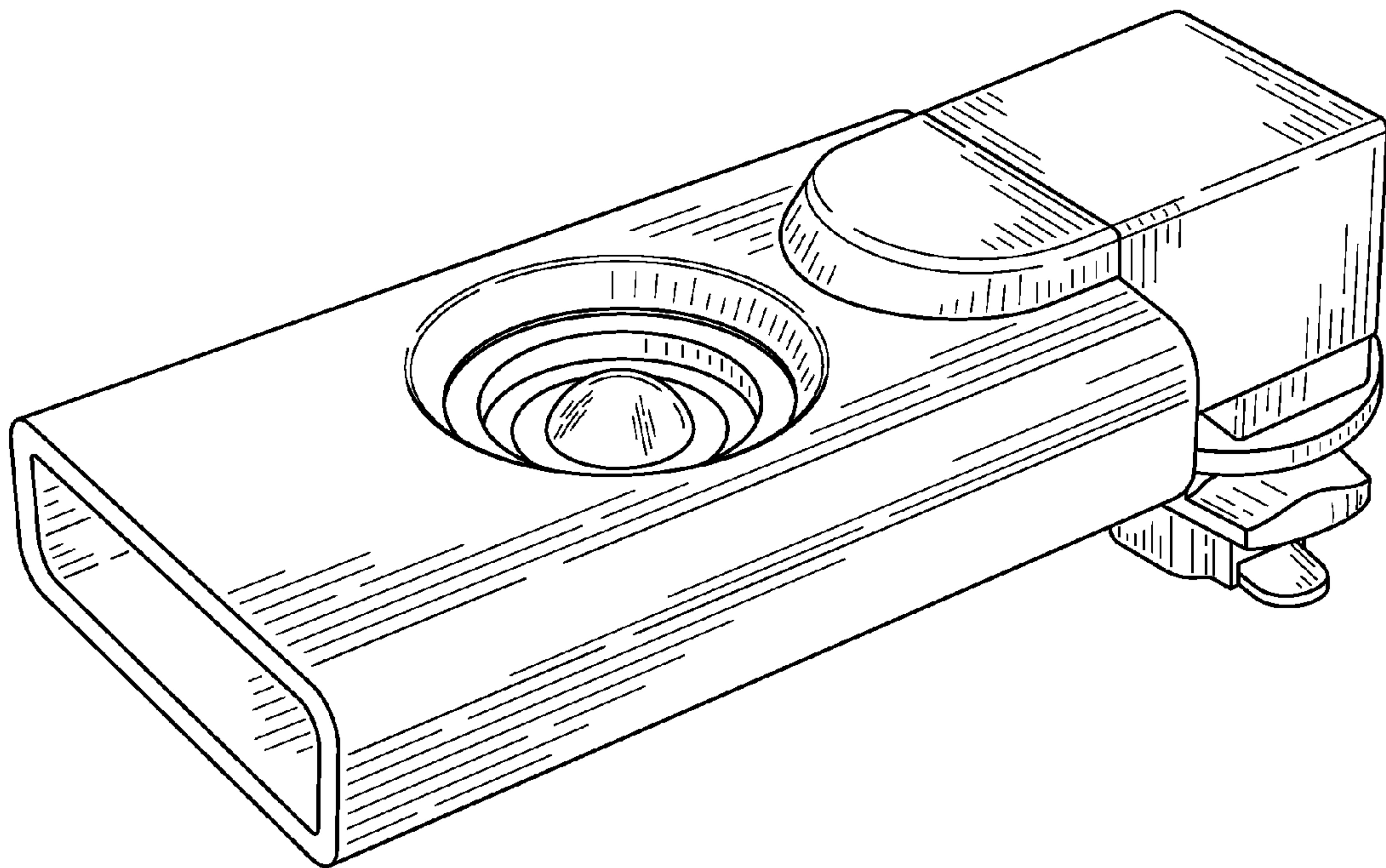


FIG. 1

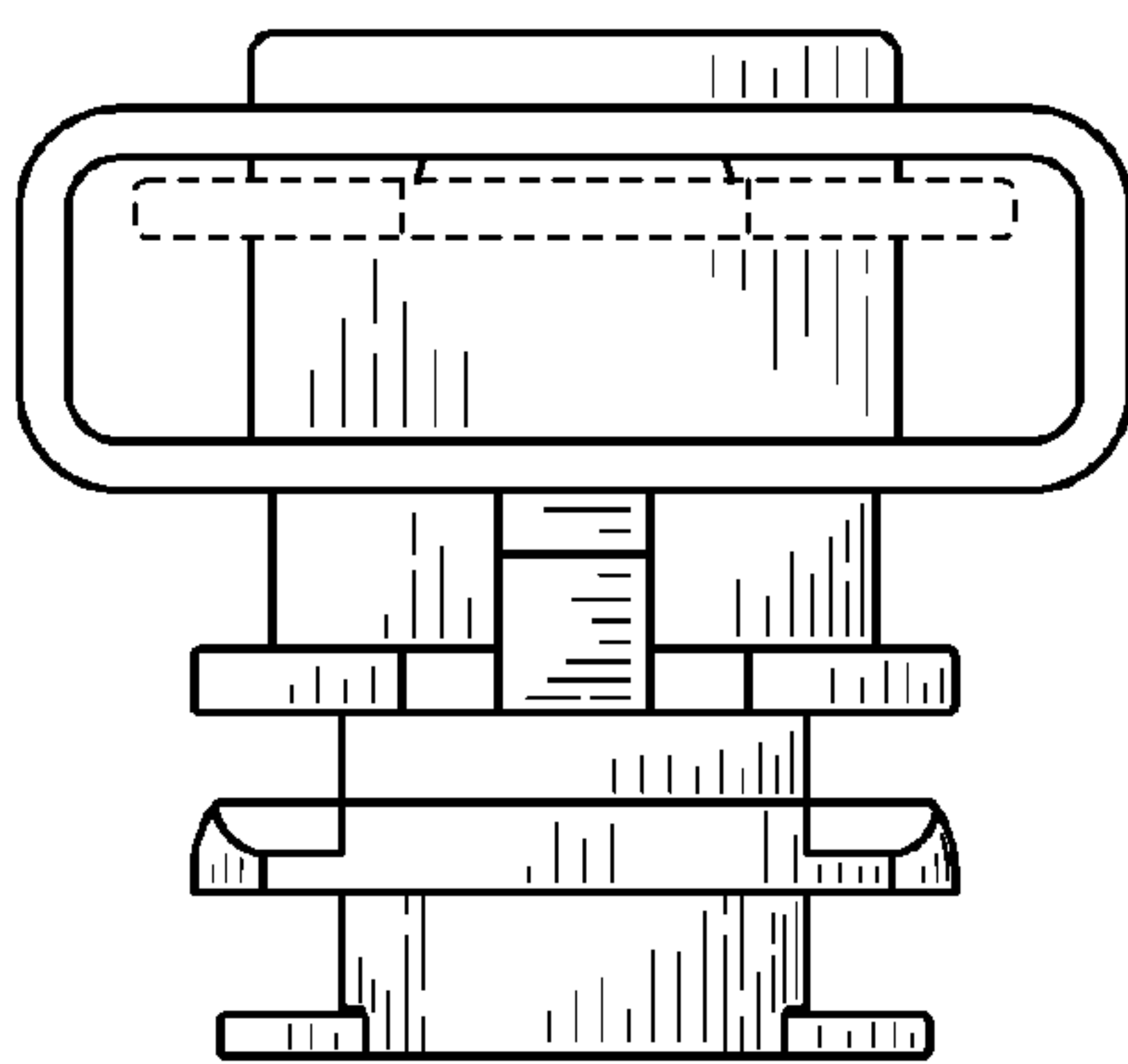


FIG. 2

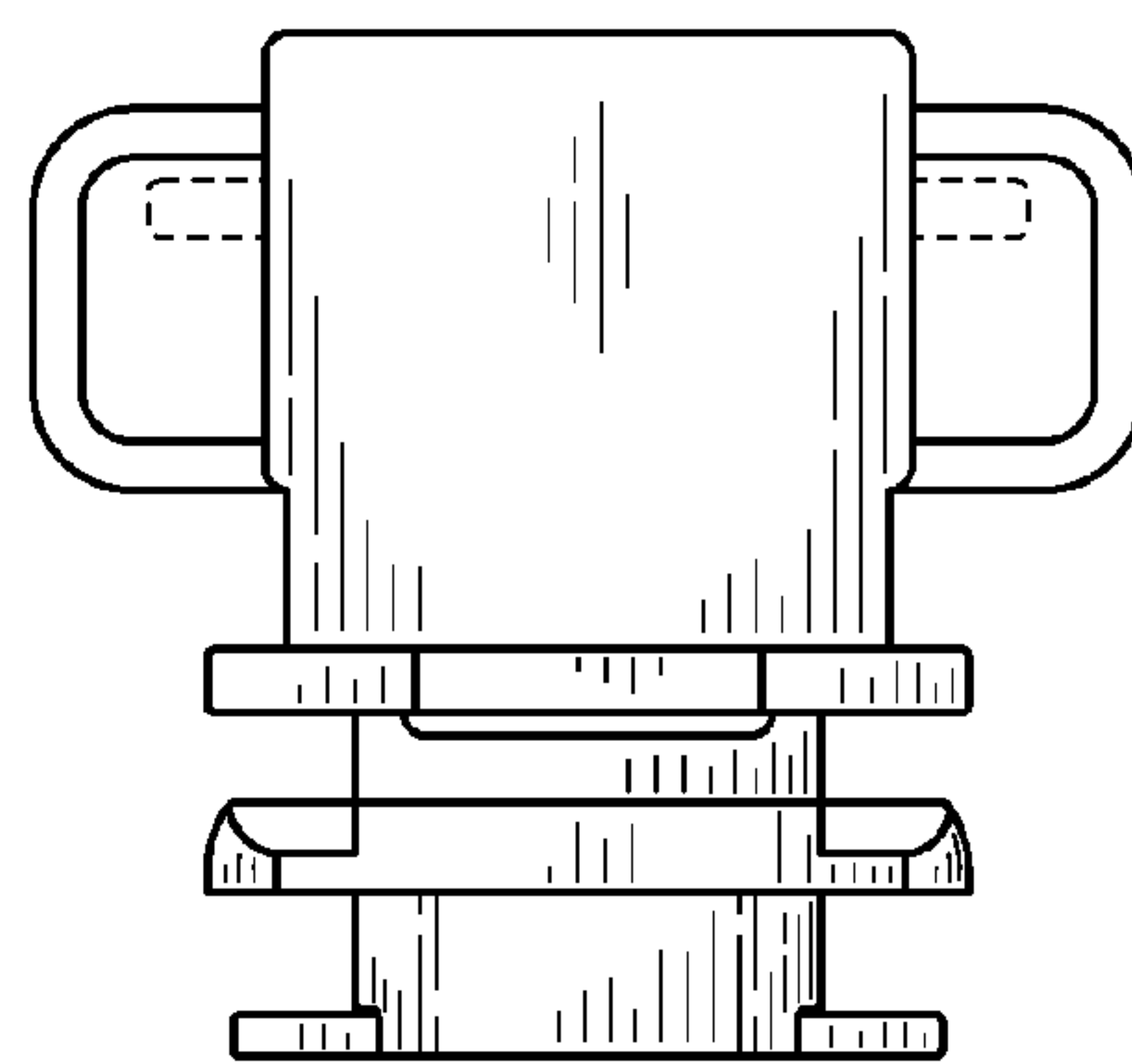


FIG. 3

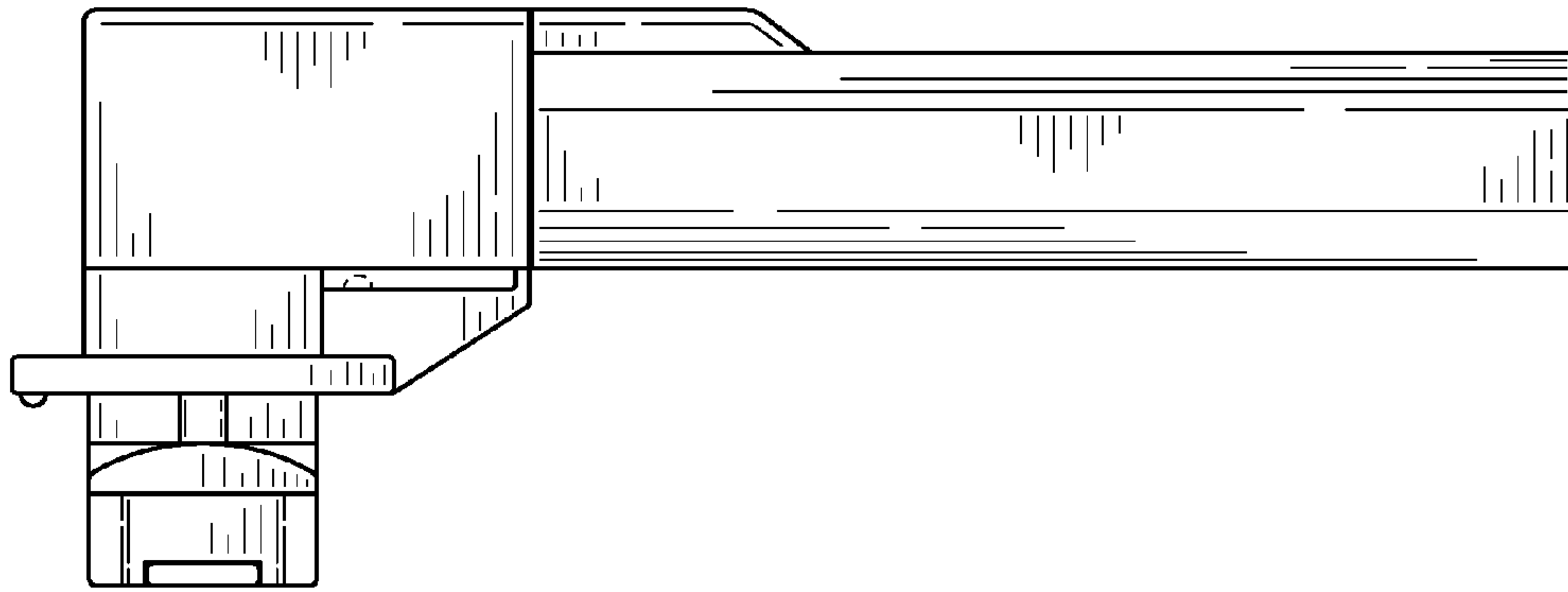


FIG. 4

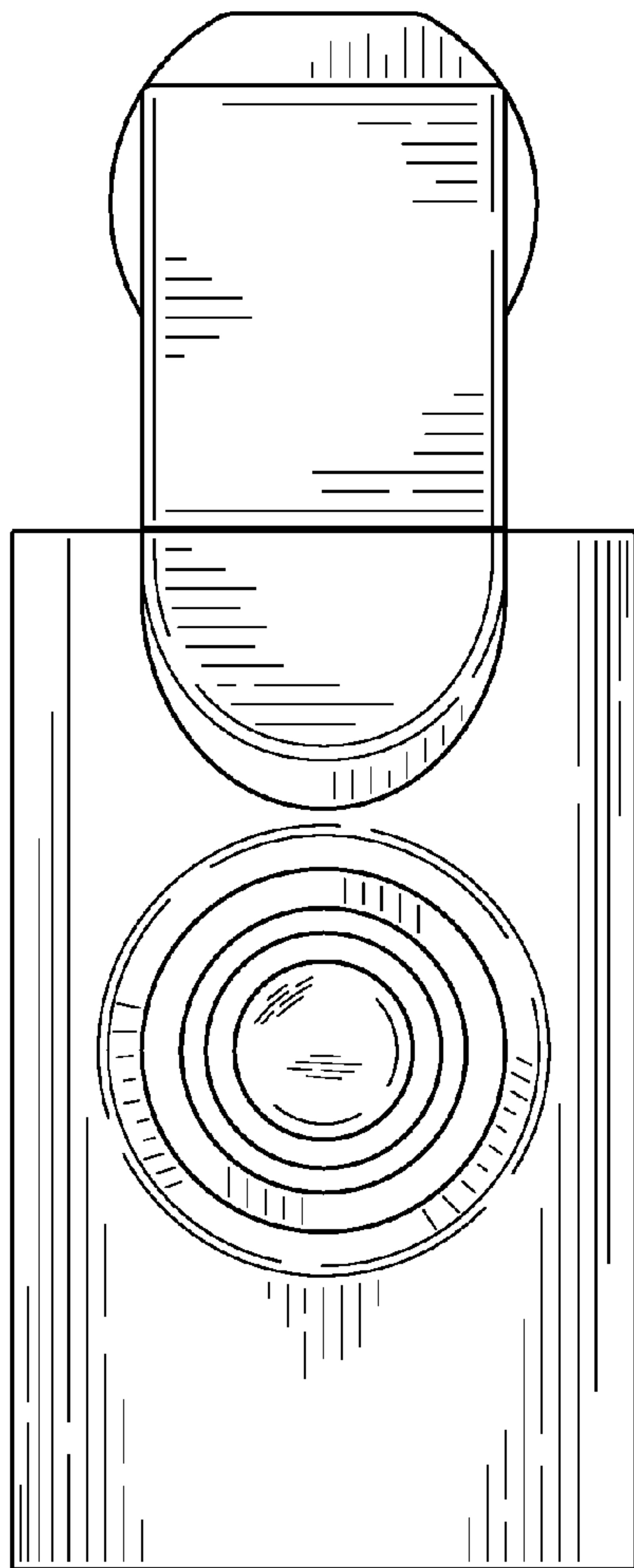


FIG. 5

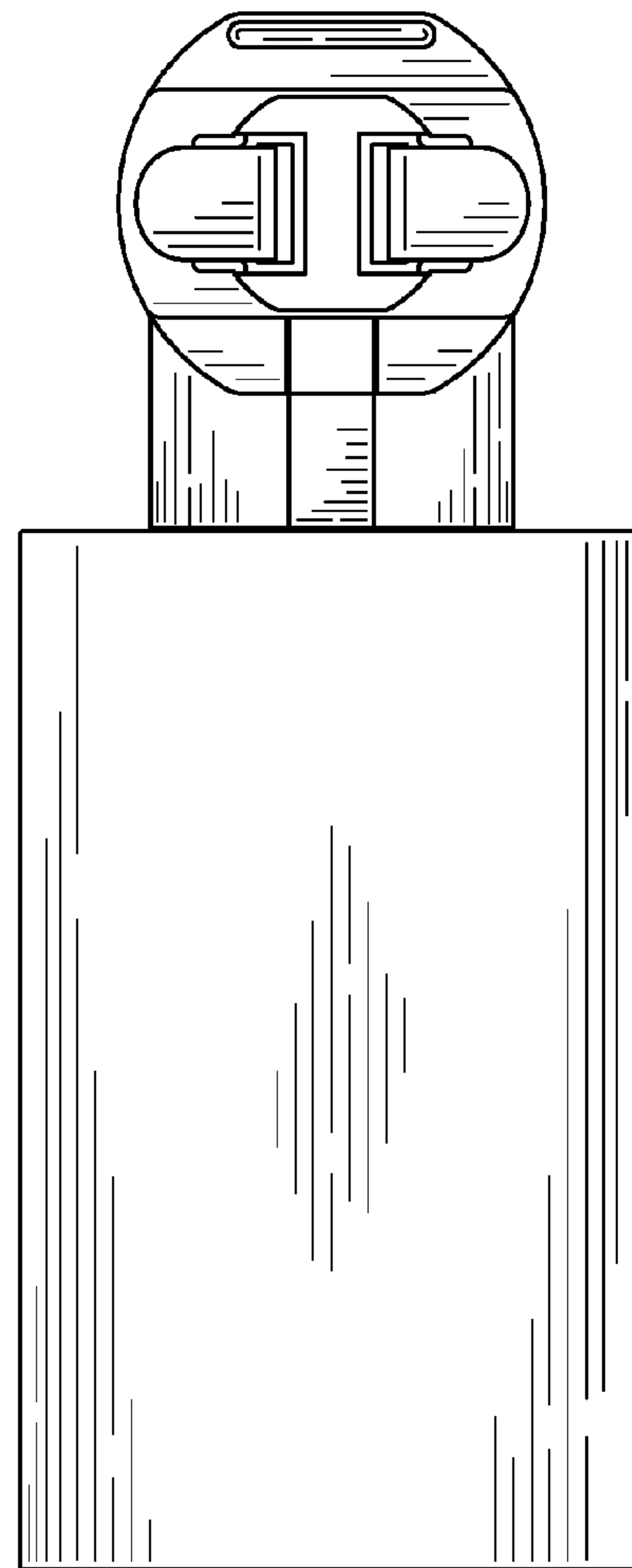


FIG. 6

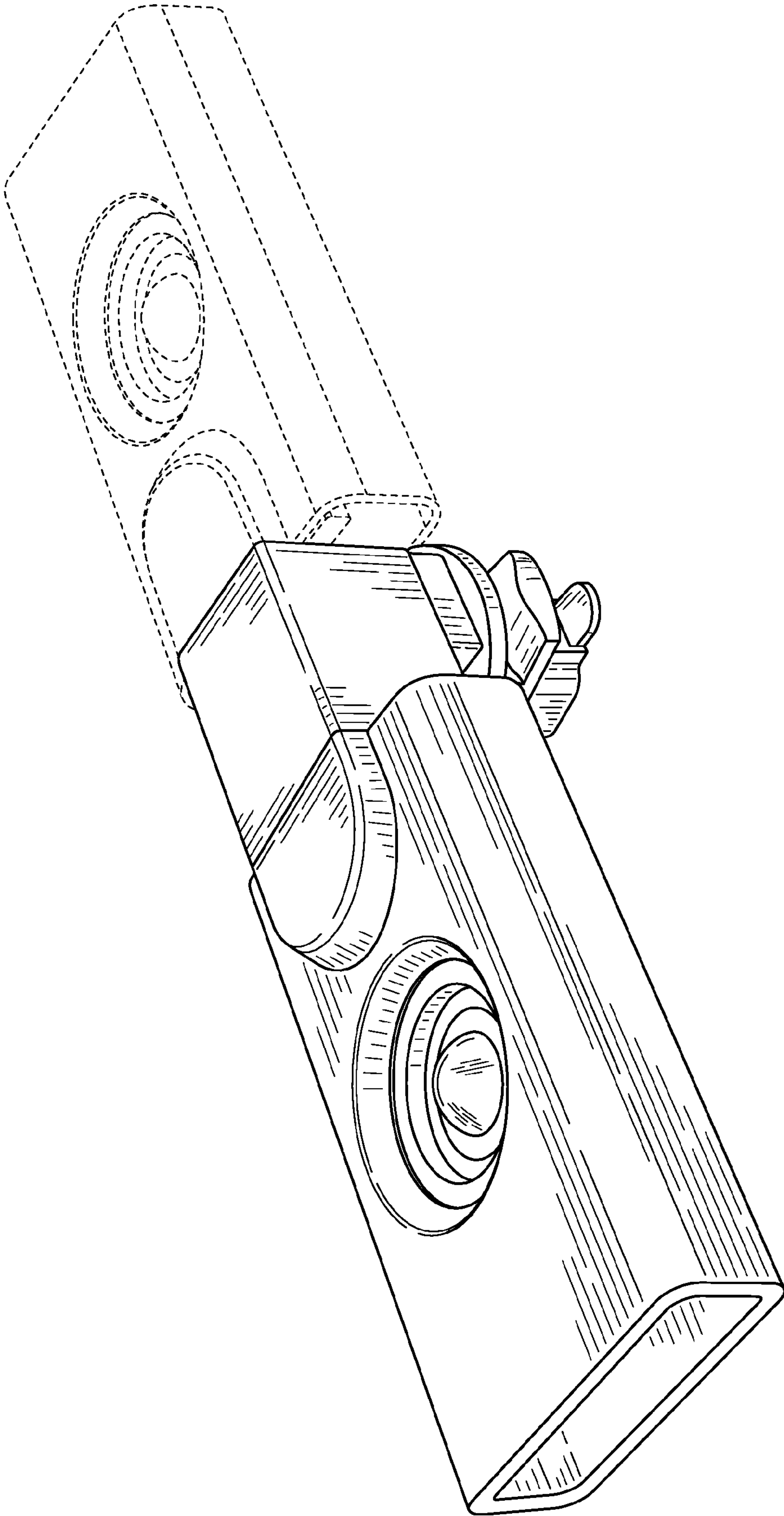


FIG. 7