



US00D590533S

(12) **United States Design Patent**
Li

(10) **Patent No.:** **US D590,533 S**
(45) **Date of Patent:** **** Apr. 14, 2009**

(54) **LAMP**

(75) Inventor: **QiGuang Li**, ZhongShan (CN)

(73) Assignee: **Zhongshan Voice Technology Limited**,
Lexington, KY (US)

(**) Term: **14 Years**

(21) Appl. No.: **29/329,332**

(22) Filed: **Dec. 12, 2008**

(51) **LOC (9) Cl.** **26-05**

(52) **U.S. Cl.** **D26/60; D26/62**

(58) **Field of Classification Search** D26/28,
D26/37, 39, 60–63, 65; 362/98, 99, 109,
362/116, 191, 197, 198, 155, 156, 396, 473–476
See application file for complete search history.

(56) **References Cited**

U.S. PATENT DOCUMENTS

4,885,667	A	12/1989	Selden	
D427,703	S	7/2000	Chan	
D428,177	S	7/2000	Chan	
6,736,531	B2	5/2004	Wallach	
D492,808	S *	7/2004	Naghi et al.	D26/62
6,808,289	B2	10/2004	Reed	
D498,322	S *	11/2004	Schnell	D26/60
D513,085	S *	12/2005	Shiu	D26/62
D529,651	S	10/2006	Chan	
D542,451	S *	5/2007	Chan	D26/60
D544,124	S	6/2007	Chan	
7,249,864	B2	7/2007	Smith et al.	
D564,117	S	3/2008	Lippert	

2005/0270768 A1 12/2005 Lin

OTHER PUBLICATIONS

Mighty Bright—Vusion Magnifier and Craft Light. Found at
lampsplus.com Feb. 16, 2009.*

* cited by examiner

Primary Examiner—Clare E Heflin

(74) *Attorney, Agent, or Firm*—Magnot, Moore & Beck LLP

(57) **CLAIM**

The ornamental design for a lamp, as shown and described.

DESCRIPTION

FIG. 1 is perspective view of a lamp showing my new design;
FIG. 2 is a side elevation of the lamp in FIG. 1, of which the
opposite side is a mirror image;

FIG. 3 is a cross-sectional view of the lamp of FIG. 1 taken
along lines 3—3 in FIG. 2 showing the bottom plan of the
lamp portion;

FIG. 4 is a cross-sectional view of the lamp of FIG. 1 showing
the top plan of the base portion;

FIG. 5 is a front elevation of the lamp of FIG. 1;

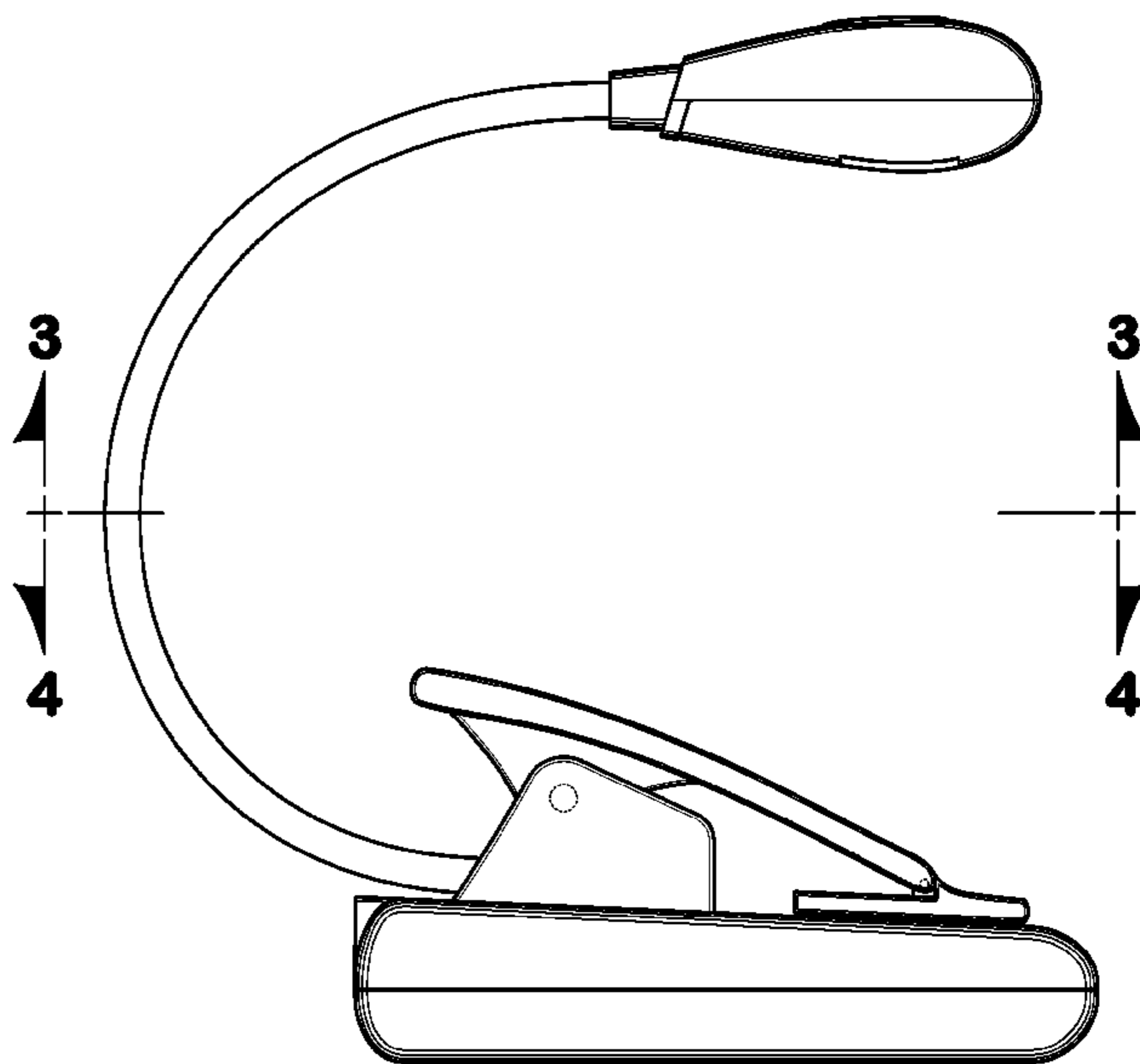
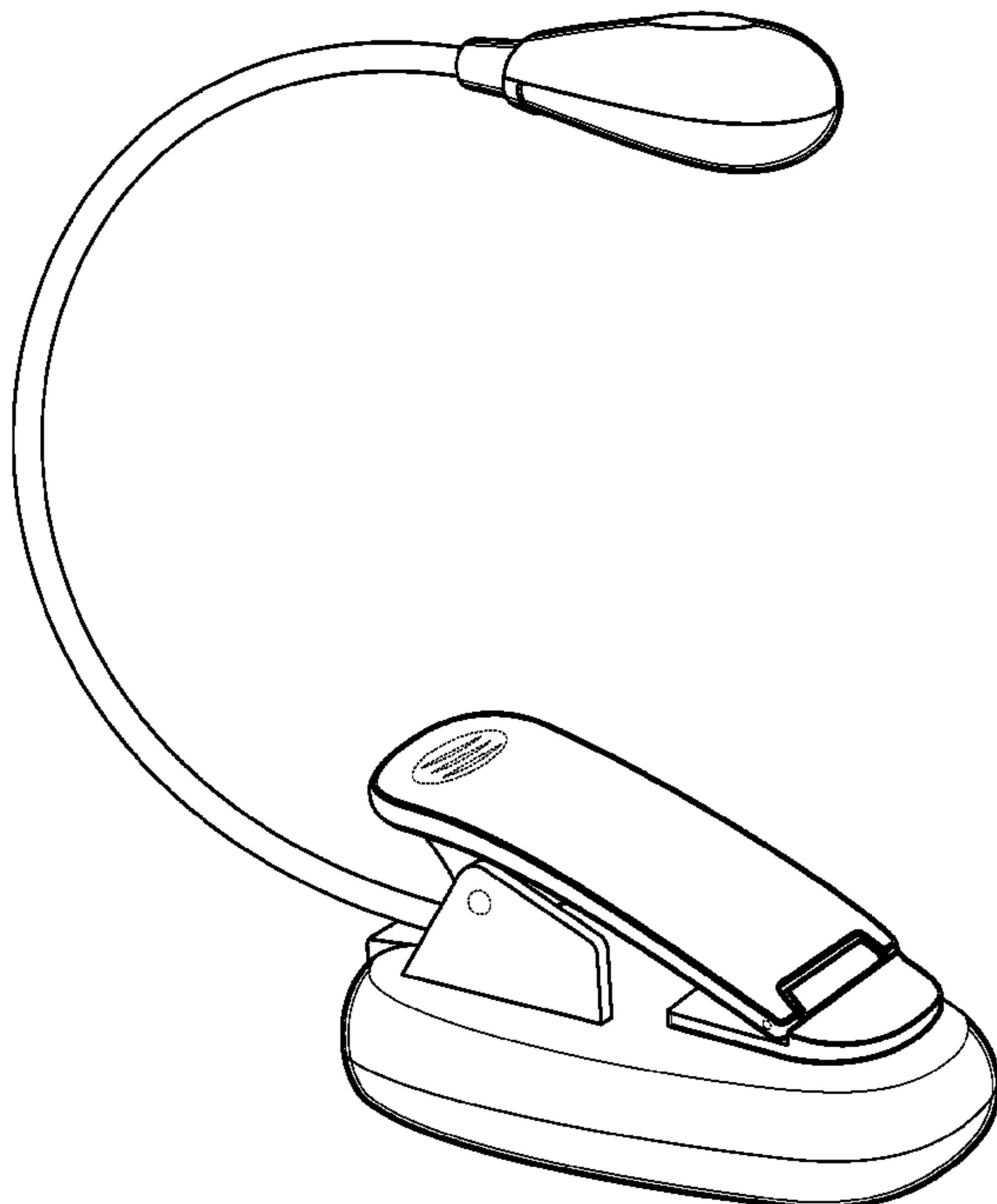
FIG. 6 is a rear elevation of the lamp of FIG. 1;

FIG. 7 is a top plan view of the lamp of FIG. 1; and,

FIG. 8 is a bottom plan view of the lamp of FIG. 1.

In FIGS. 1–8, the broken line showing of portions of the lamp
are shown for illustrative purposes only and do not form part
of the claimed design.

1 Claim, 4 Drawing Sheets



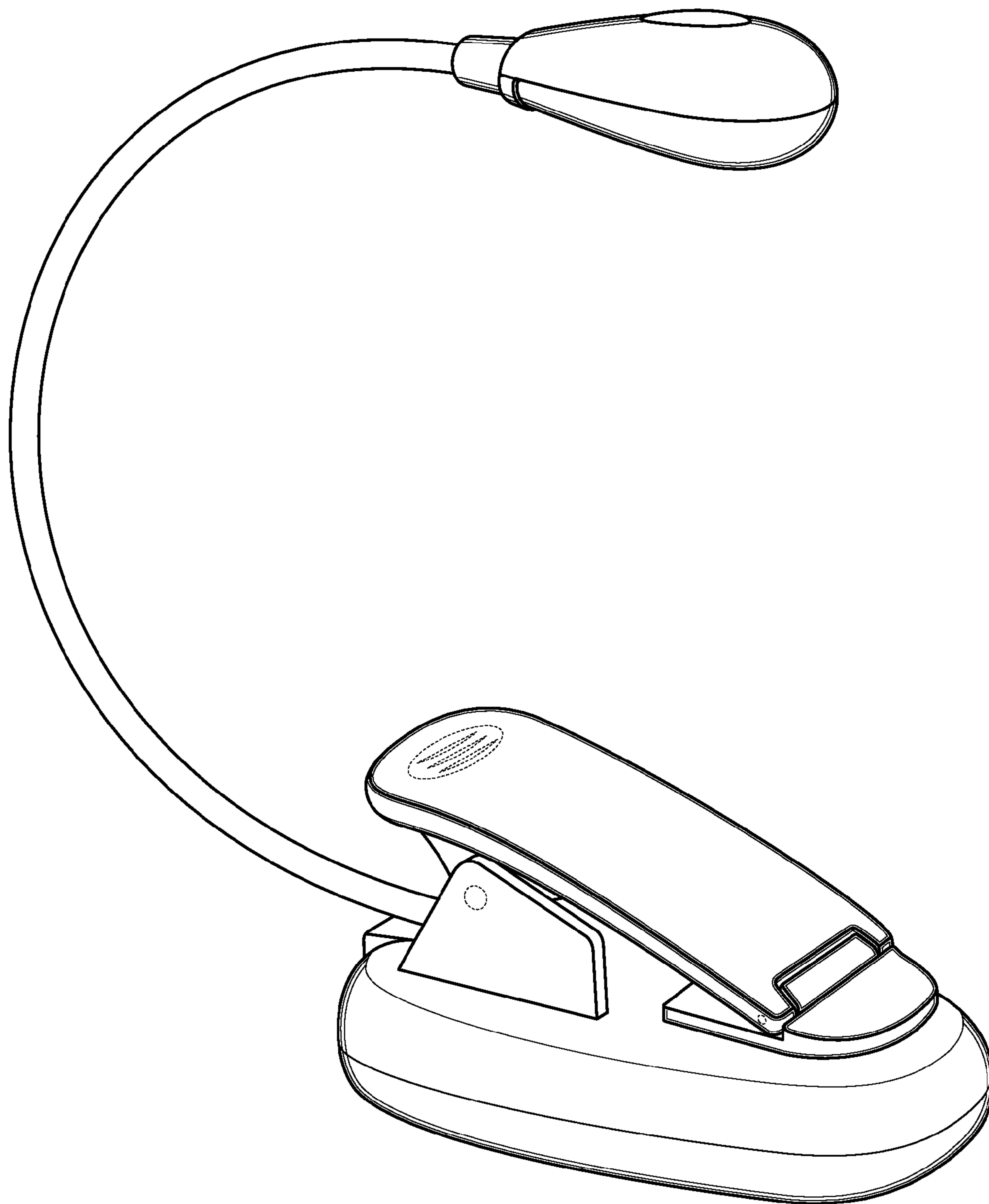


FIG. 1

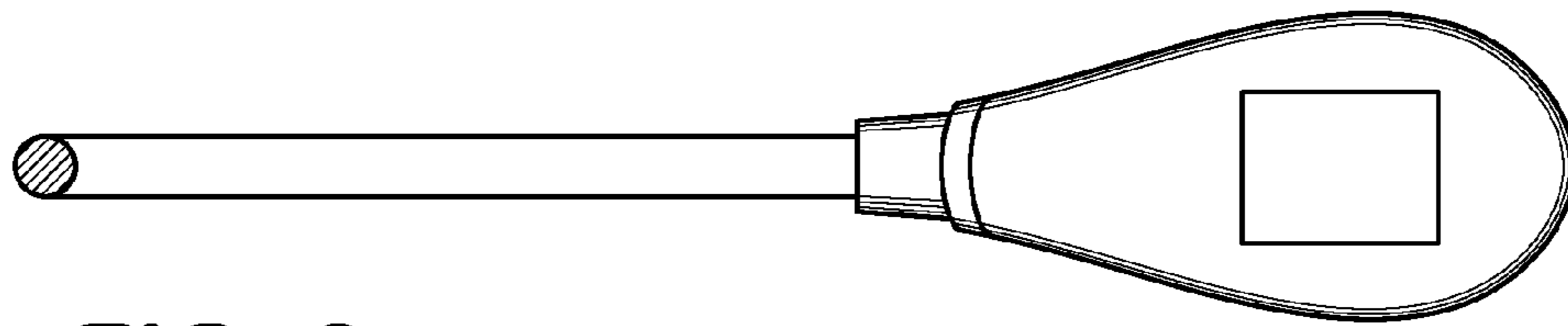


FIG. 3

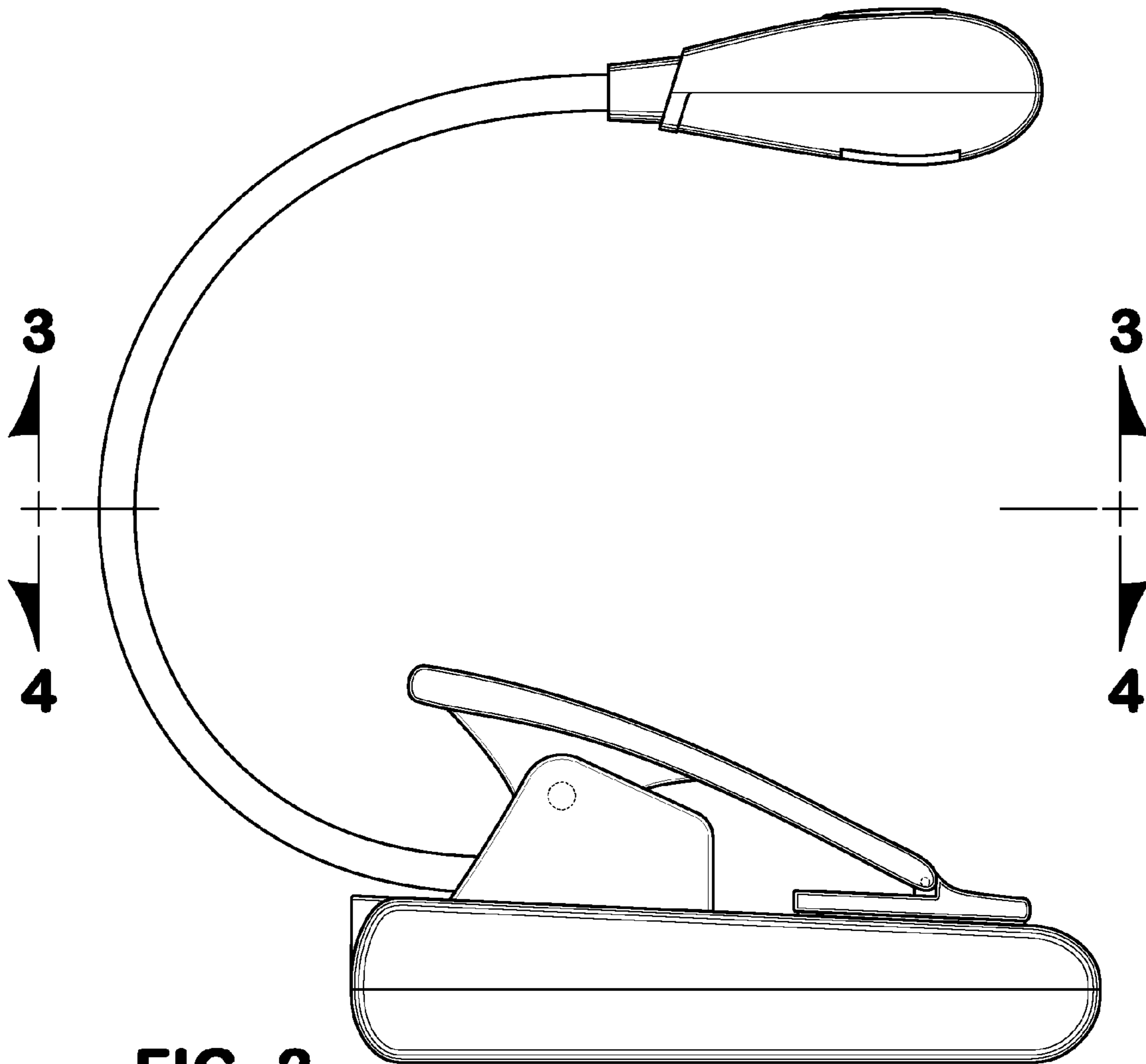


FIG. 2

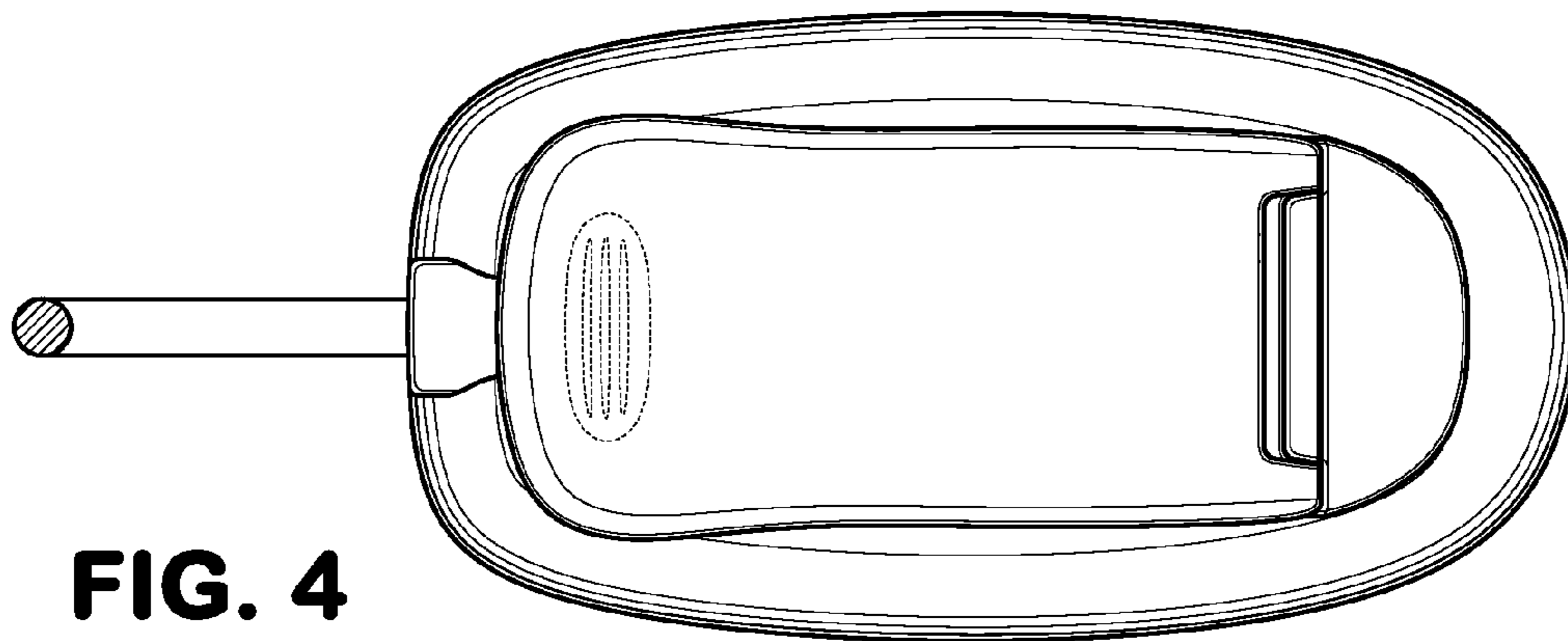


FIG. 4

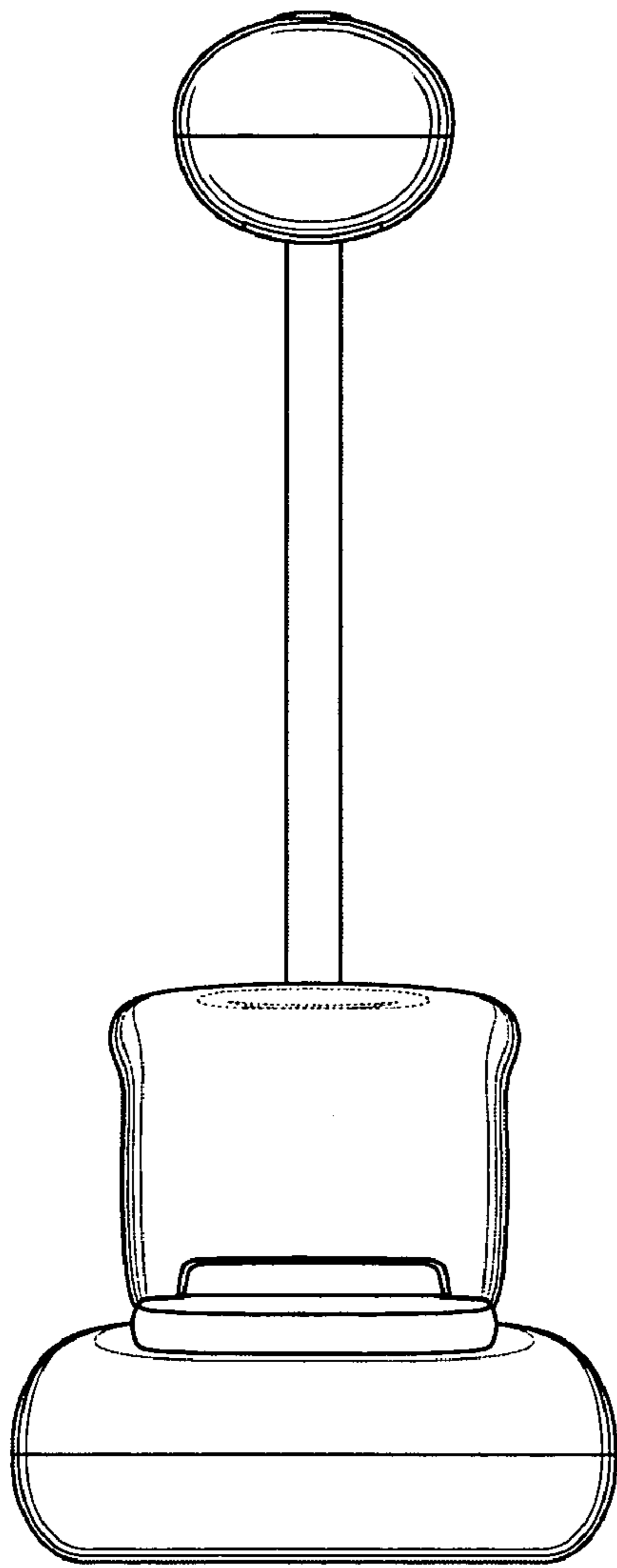


FIG. 5

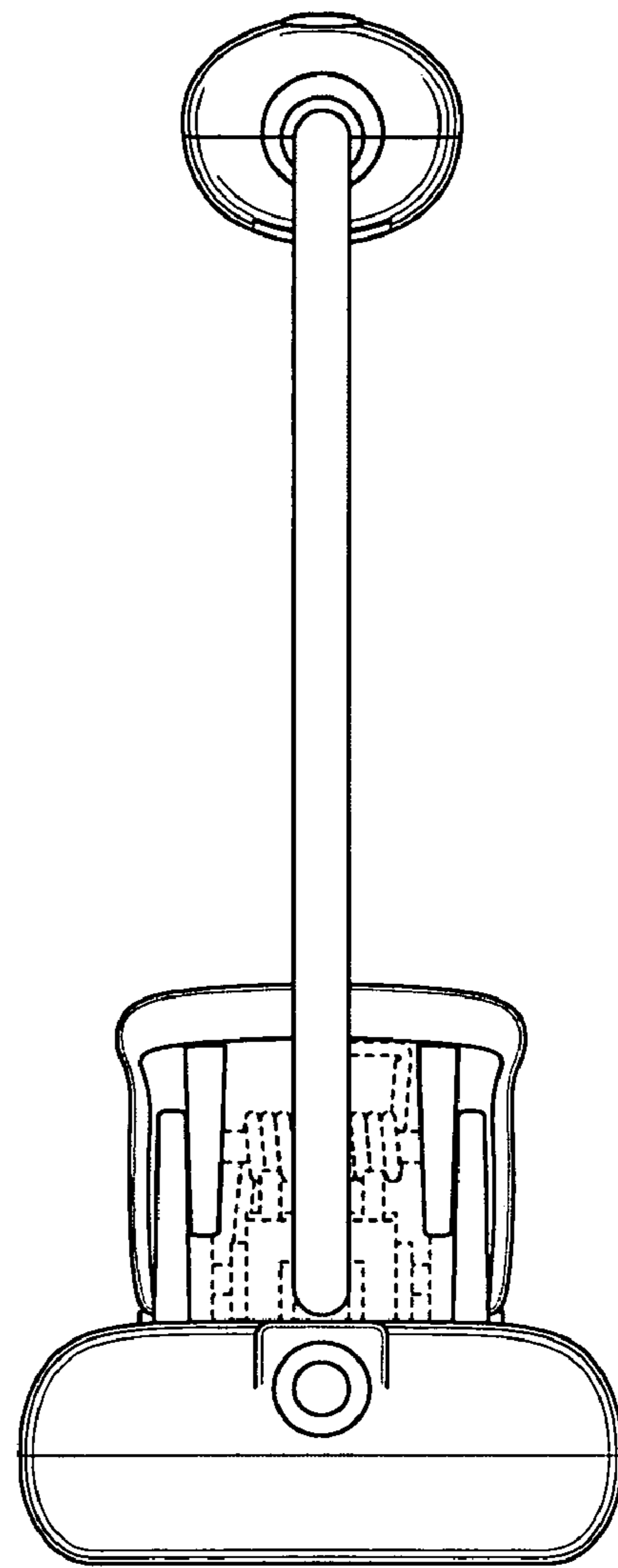


FIG. 6

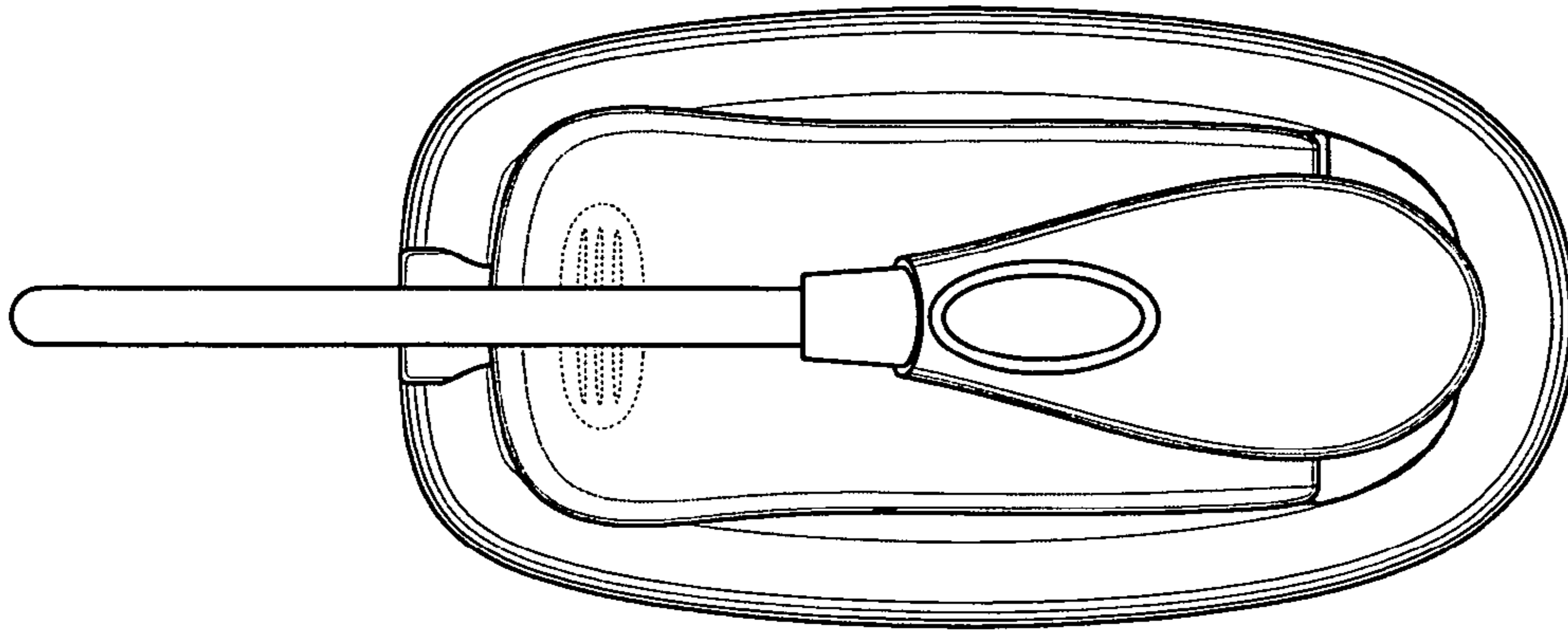


FIG. 7

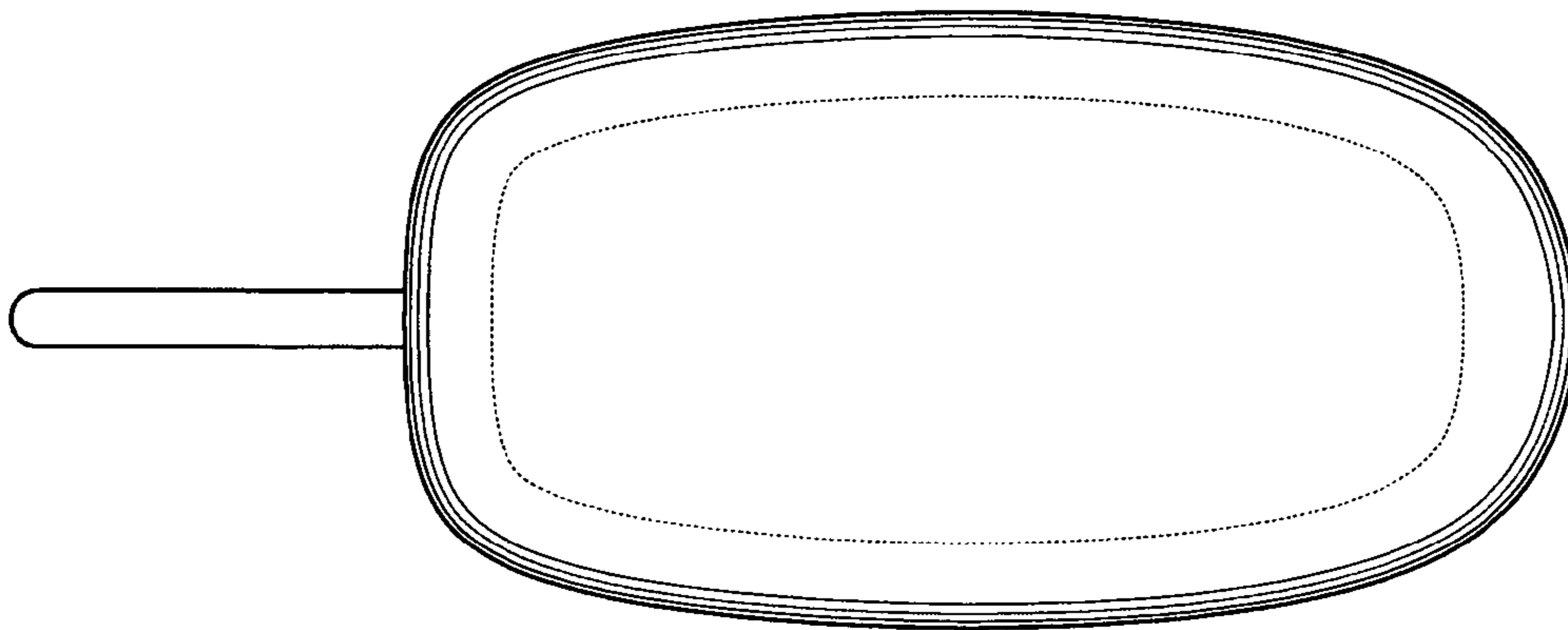


FIG. 8