



US00D590529S

(12) **United States Design Patent**
Jiang

(10) **Patent No.:** **US D590,529 S**

(45) **Date of Patent:** **** *Apr. 14, 2009**

(54) **CURVED HAND LIGHT**

(75) Inventor: **Zheng Jiang**, Shanghai (CN)

(73) Assignee: **American Electric Cord, Inc.**, Shanghai (CN)

(*) Notice: This patent is subject to a terminal disclaimer.

(**) Term: **14 Years**

(21) Appl. No.: **29/319,808**

(22) Filed: **Jun. 16, 2008**

(51) **LOC (9) Cl.** **26-02**

(52) **U.S. Cl.** **D26/37**

(58) **Field of Classification Search** D26/37,
D26/46, 40, 119, 41; 362/157, 158, 183,
362/184, 185, 186, 190, 194–208; D8/300,
D8/307, 315, 107

See application file for complete search history.

(56) **References Cited**

U.S. PATENT DOCUMENTS

D251,751 S	*	5/1979	Lawrence et al.	D26/119
D271,057 S	*	10/1983	Tirpik	D26/37
D320,463 S	*	10/1991	Pettersen et al.	D26/37
D322,328 S	*	12/1991	Burgett	D26/37
D367,123 S		2/1996	Blye		
D409,776 S		5/1999	Ghode et al.		
D421,661 S		3/2000	Blye		
D432,891 S	*	10/2000	Sterling	D8/107
6,170,966 B1	*	1/2001	Schwarzmann	362/376
D462,003 S	*	8/2002	Juhlin	D8/107
D481,291 S	*	10/2003	Hernandez, Jr.	D8/107
D489,467 S	*	5/2004	Mackin	D26/37
D500,383 S	*	12/2004	Lin	D26/119

D501,687 S		2/2005	Kovacik et al.		
D504,968 S		5/2005	Bayat et al.		
6,923,553 B2	*	8/2005	Mackin	362/202
D519,659 S		4/2006	Yuen		
D523,577 S		6/2006	Bayat et al.		
D526,077 S		8/2006	Leen		
D527,478 S		8/2006	Kovacik et al.		
D533,761 S	*	12/2006	Lin	D8/107
D538,456 S		3/2007	Trigiani et al.		
D538,457 S		3/2007	Kovacik et al.		
D543,301 S		5/2007	Chen		

* cited by examiner

Primary Examiner—Ian Simmons

Assistant Examiner—Carissa C Fitts

(74) *Attorney, Agent, or Firm*—Stephen M. Nipper; Dykas, Shaver & Nipper, LLP

(57) **CLAIM**

The ornamental design for a curved hand light, as shown and described.

DESCRIPTION

FIG. 1 is a perspective representational view of the curved hand light;

FIG. 2 is a first end view of the curved hand light;

FIG. 3 is a first side view of the curved hand light;

FIG. 4 is a second end view of the curved hand light;

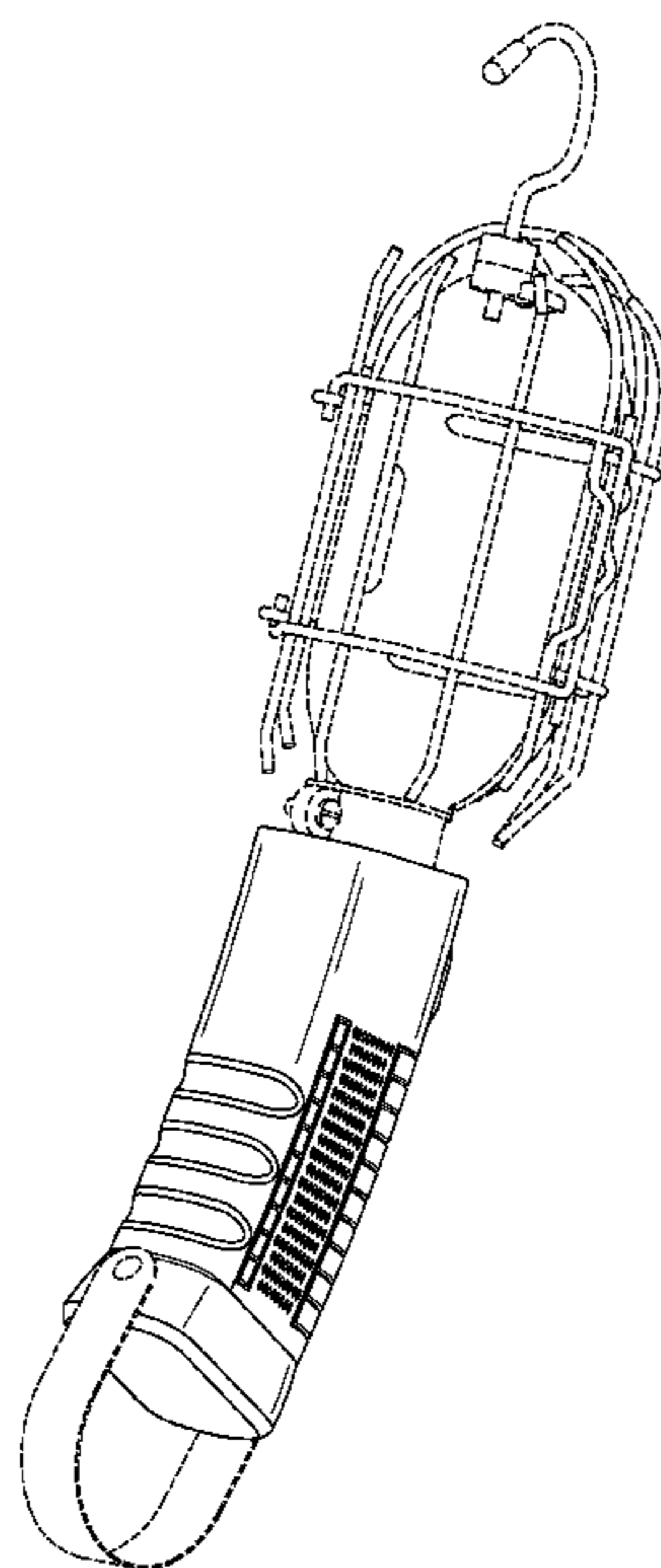
FIG. 5 is a second side view of the curved hand light;

FIG. 6 is a top plan view, of the curved hand light; and,

FIG. 7 is a bottom plan view of the curved hand light.

Any broken lines within this Figure showing the environment is for illustrative purposes only and forms no part of the claimed design.

1 Claim, 4 Drawing Sheets



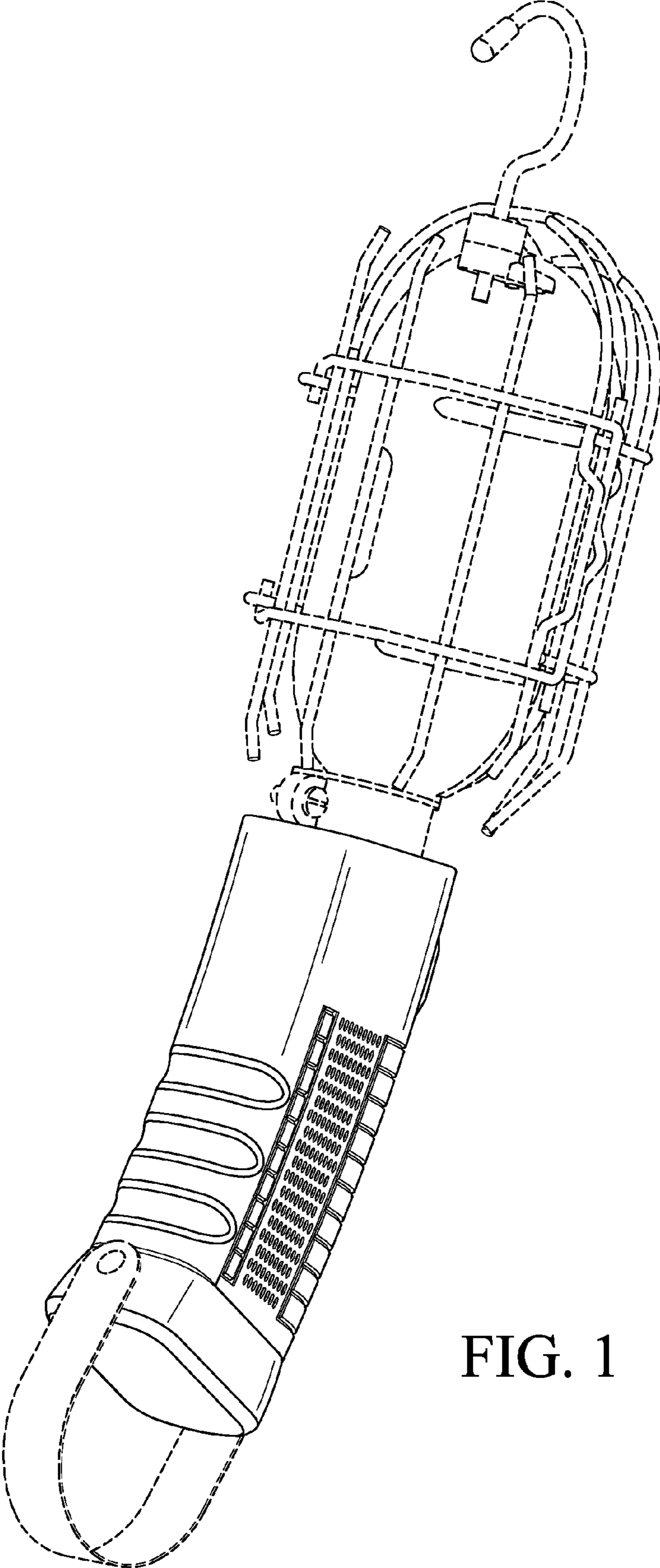


FIG. 1

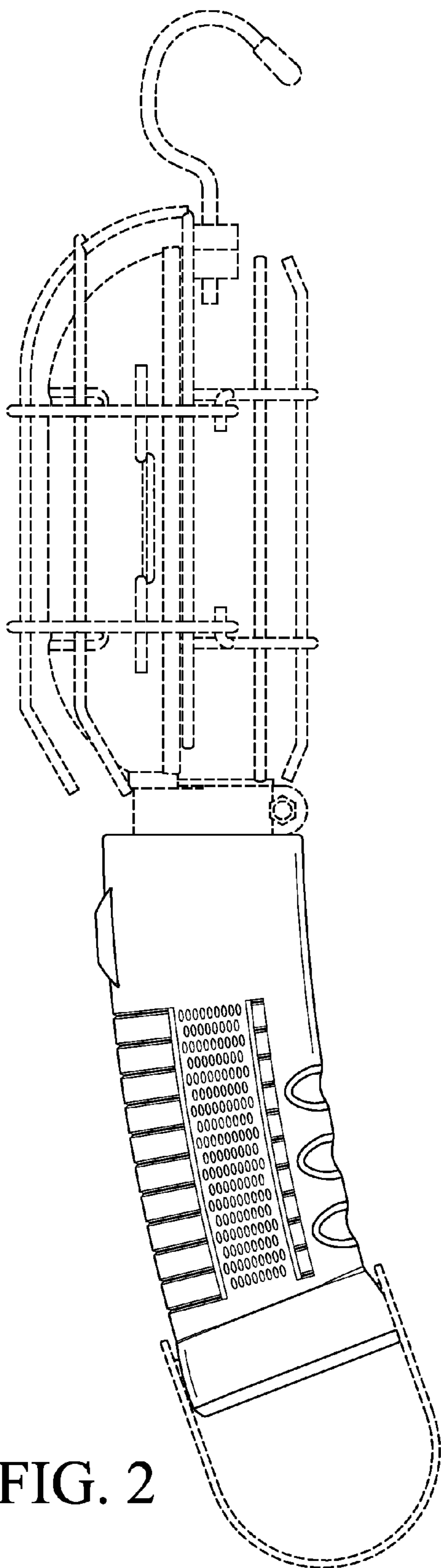


FIG. 2

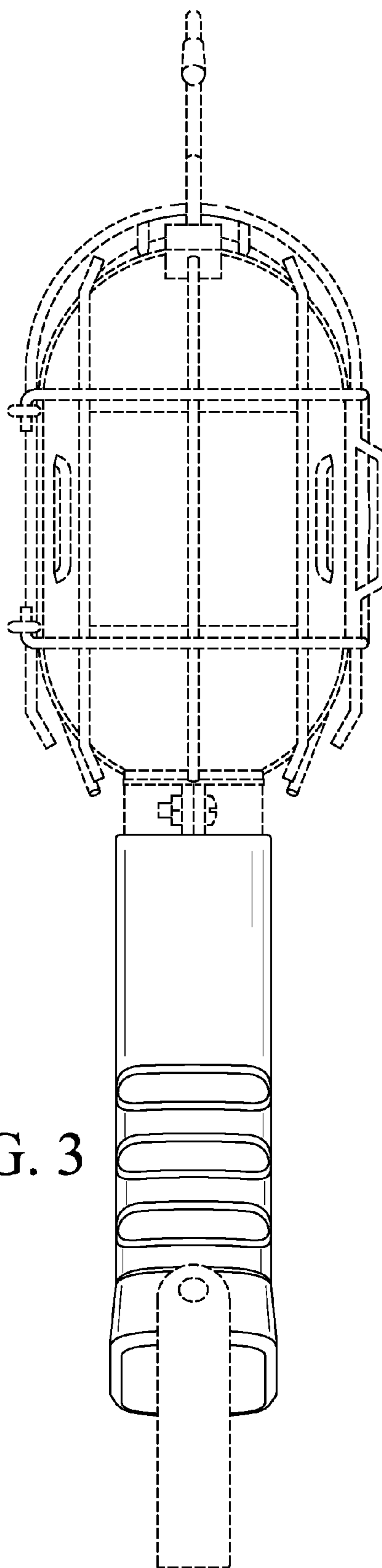


FIG. 3

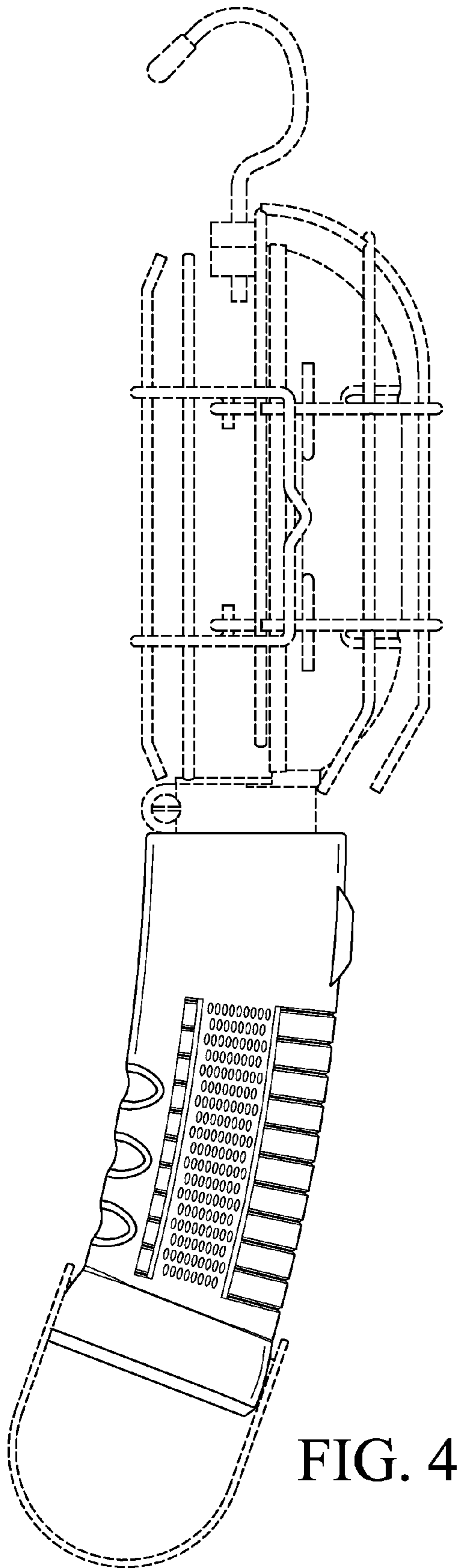


FIG. 4

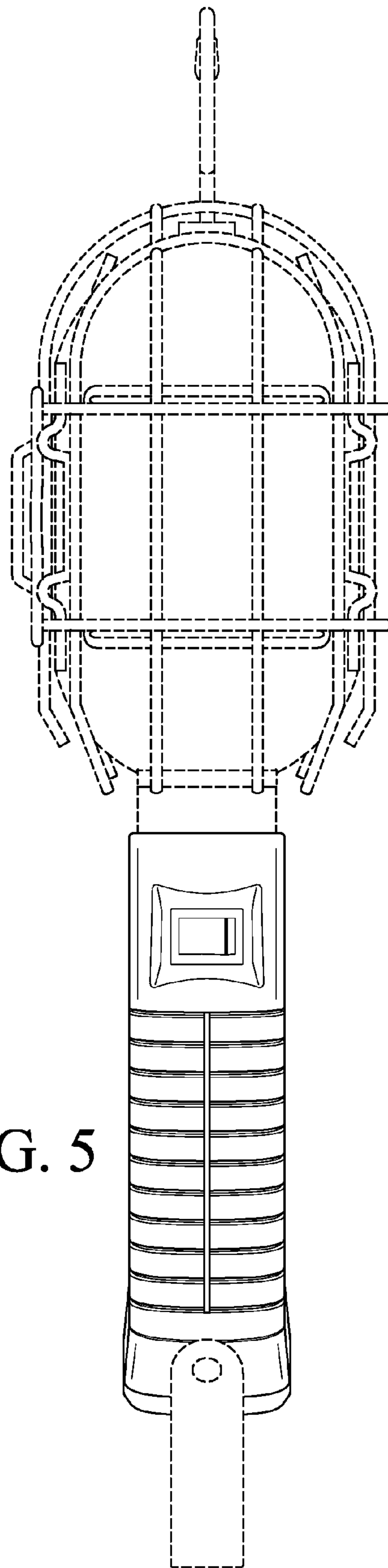


FIG. 5

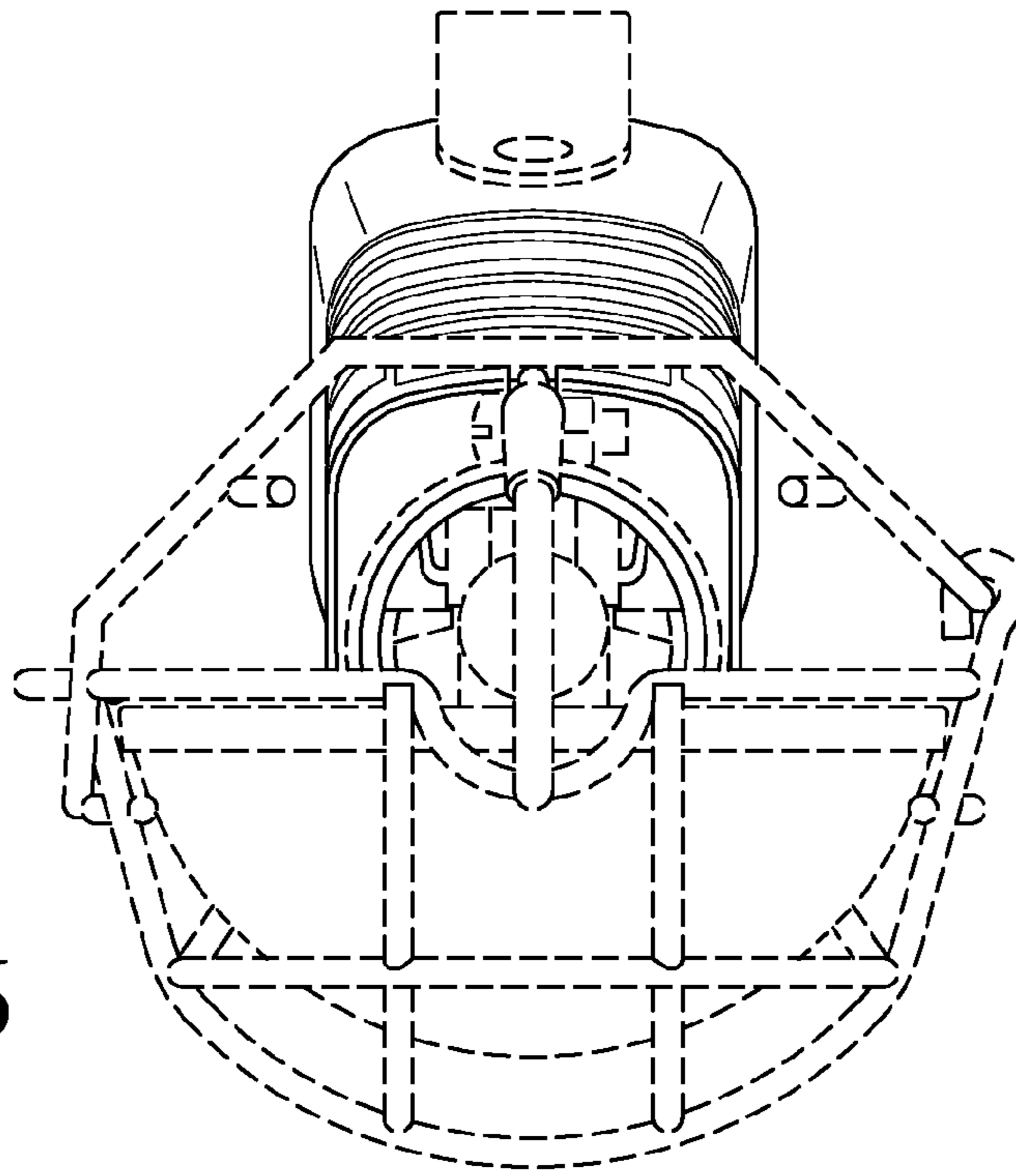


FIG. 6

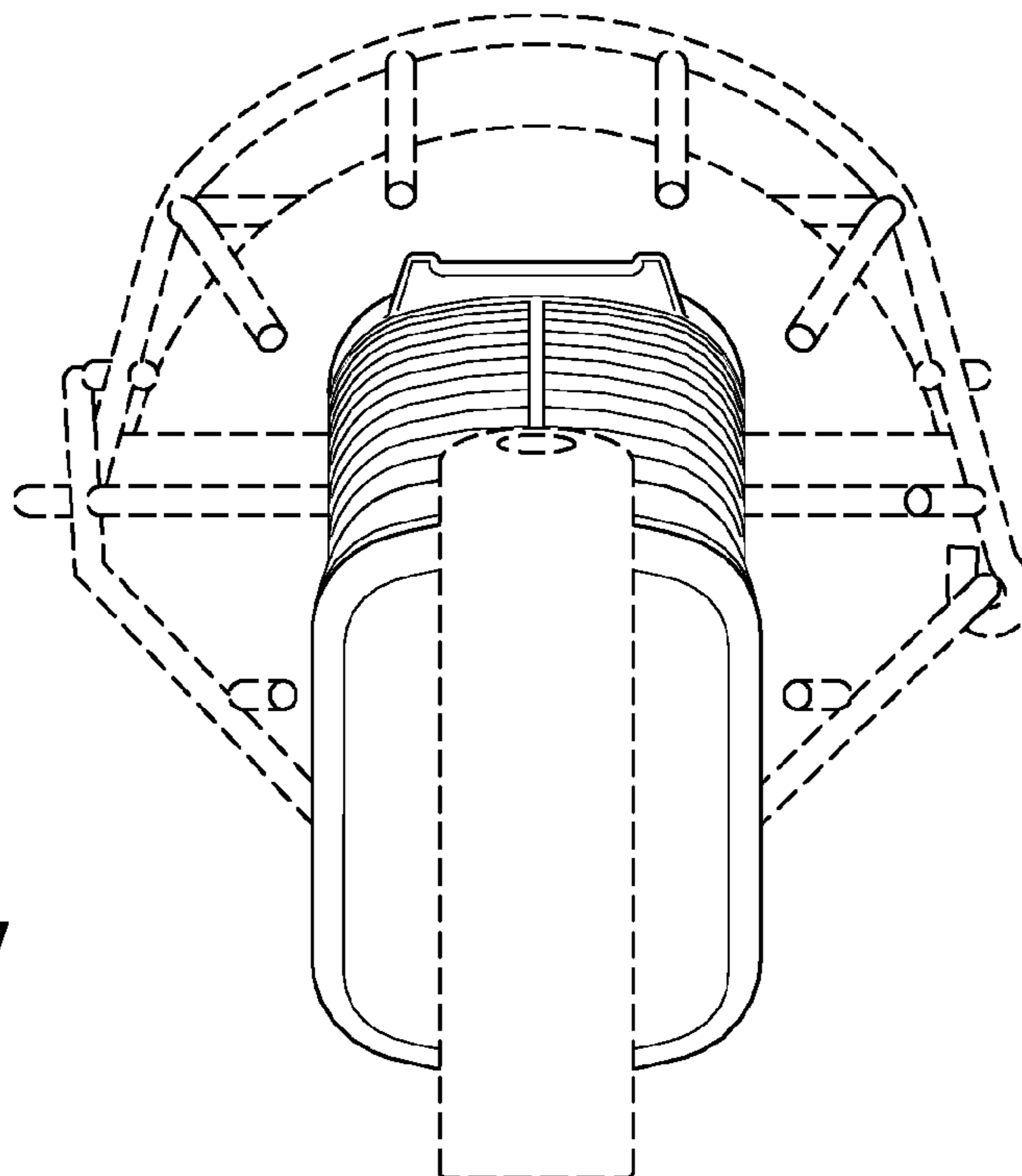


FIG. 7