



US00D590528S

(12) **United States Design Patent**
Supiot

(10) **Patent No.:** **US D590,528 S**

(45) **Date of Patent:** **** Apr. 14, 2009**

(54) **BATTERY-OPERATED FLASHLIGHT**

(74) *Attorney, Agent, or Firm*—Cascio Schmoyer & Zervas

(76) **Inventor:** **Renaud Supiot**, 50. Boulevard
Gambetta, Nimes (FR) 30000

(57) **CLAIM**

(**) **Term:** **14 Years**

The ornamental design for a battery-operated flashlight, as shown and described.

(21) **Appl. No.:** **29/301,575**

DESCRIPTION

(22) **Filed:** **Mar. 6, 2008**

FIG. 1 is a front elevational view of the battery-operated flashlight showing my design;

(51) **LOC (9) Cl.** **26-02**

(52) **U.S. Cl.** **D26/37**

FIG. 2 is a rear elevational view thereof;

(58) **Field of Classification Search** D26/37-50;
362/157, 158, 171-174, 183-208

FIG. 3 is a left side elevational view thereof,

See application file for complete search history.

FIG. 4 is a right side elevational view thereof;

FIG. 5 is a top plan view thereof;

(56) **References Cited**

U.S. PATENT DOCUMENTS

FIG. 6 is a bottom plan view thereof;

FIG. 7 is a perspective view thereof; and,

D544,388 S * 6/2007 Chisholm D10/114

D550,872 S * 9/2007 Helget et al. D26/37

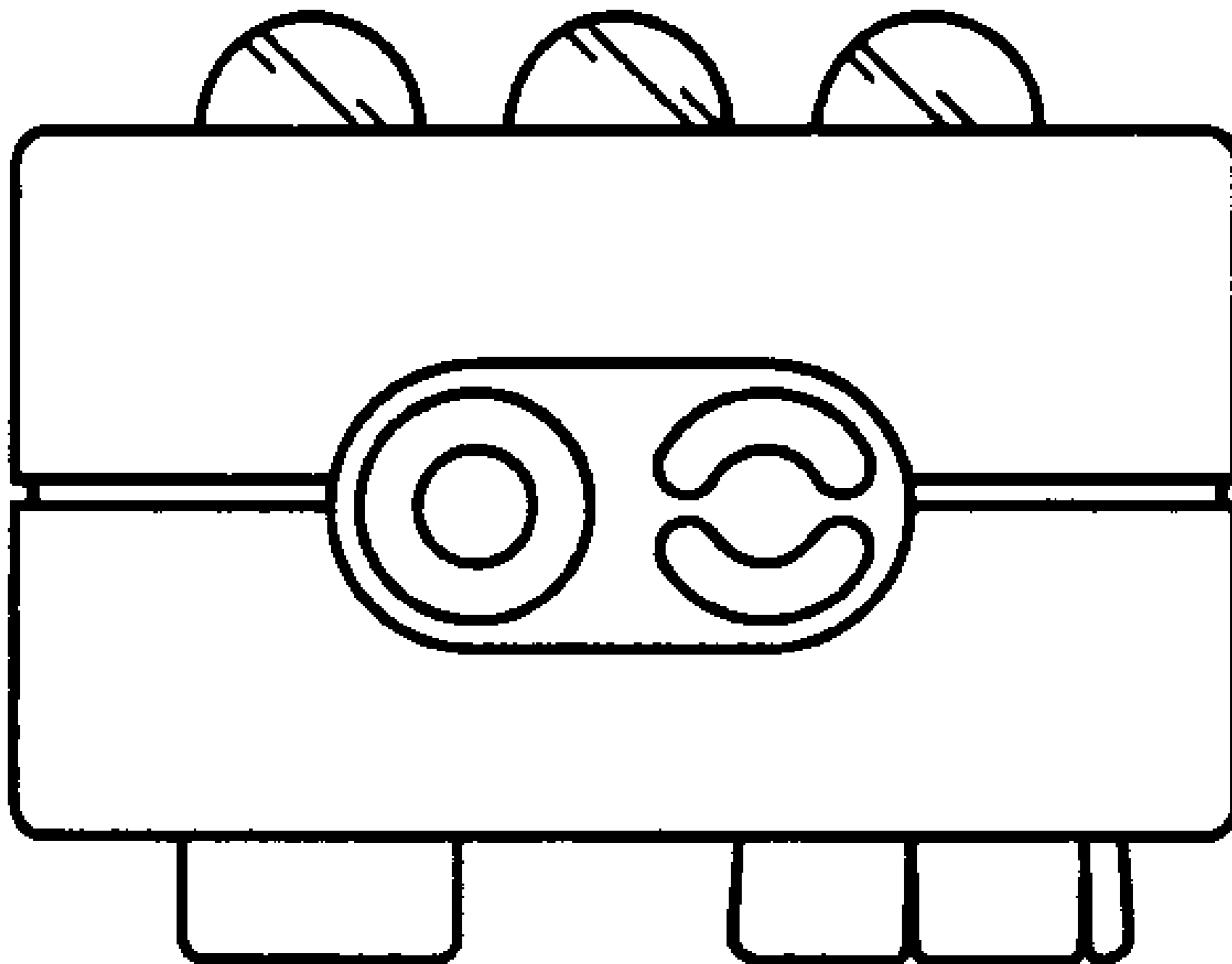
FIG. 8 is a perspective view thereof with a battery attached.

The broken line in FIG. 8 showing a battery is for illustration purposes only and forms no part of the claimed design.

* cited by examiner

Primary Examiner—Marcus A. Jackson

1 Claim, 2 Drawing Sheets



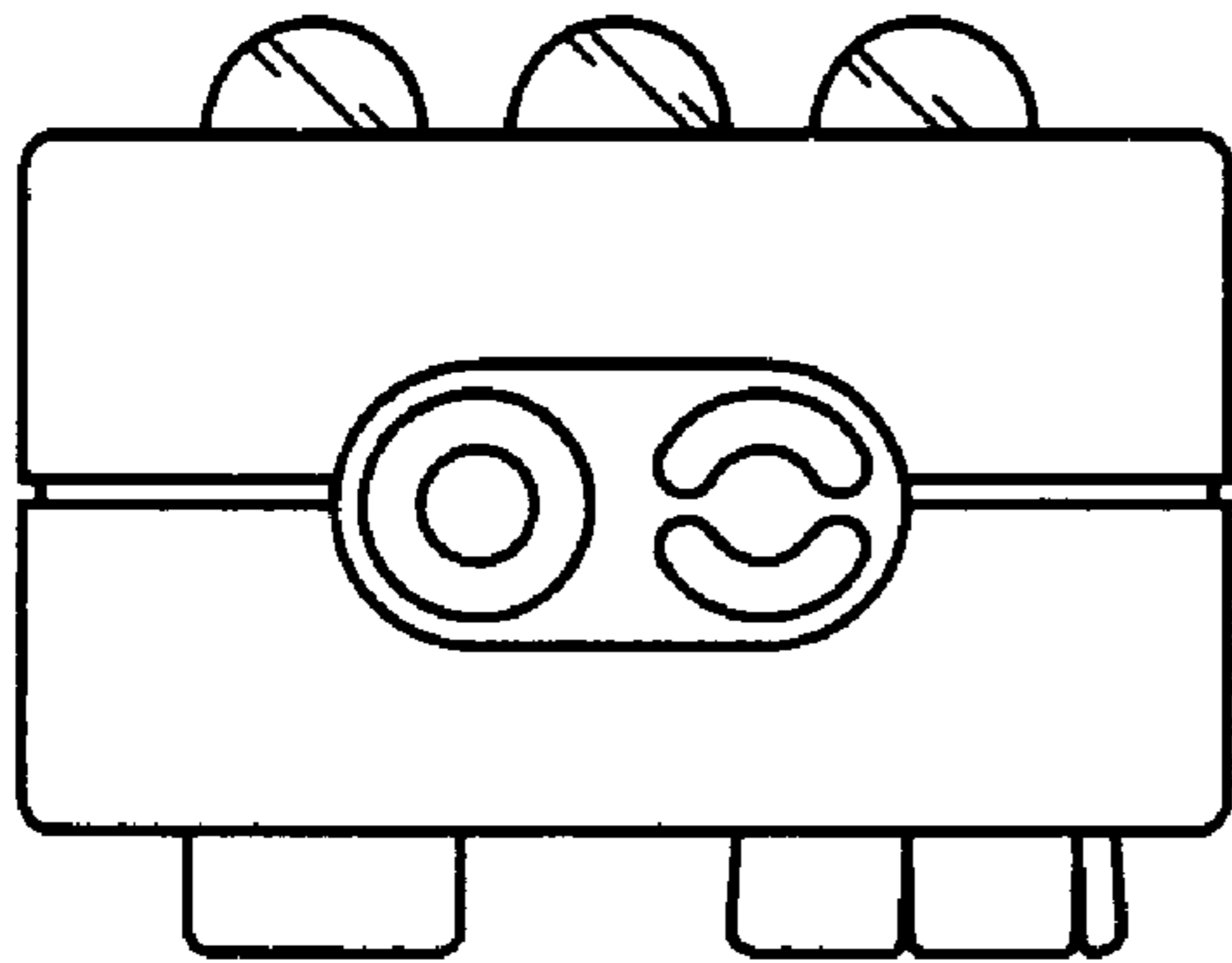


FIG. 1

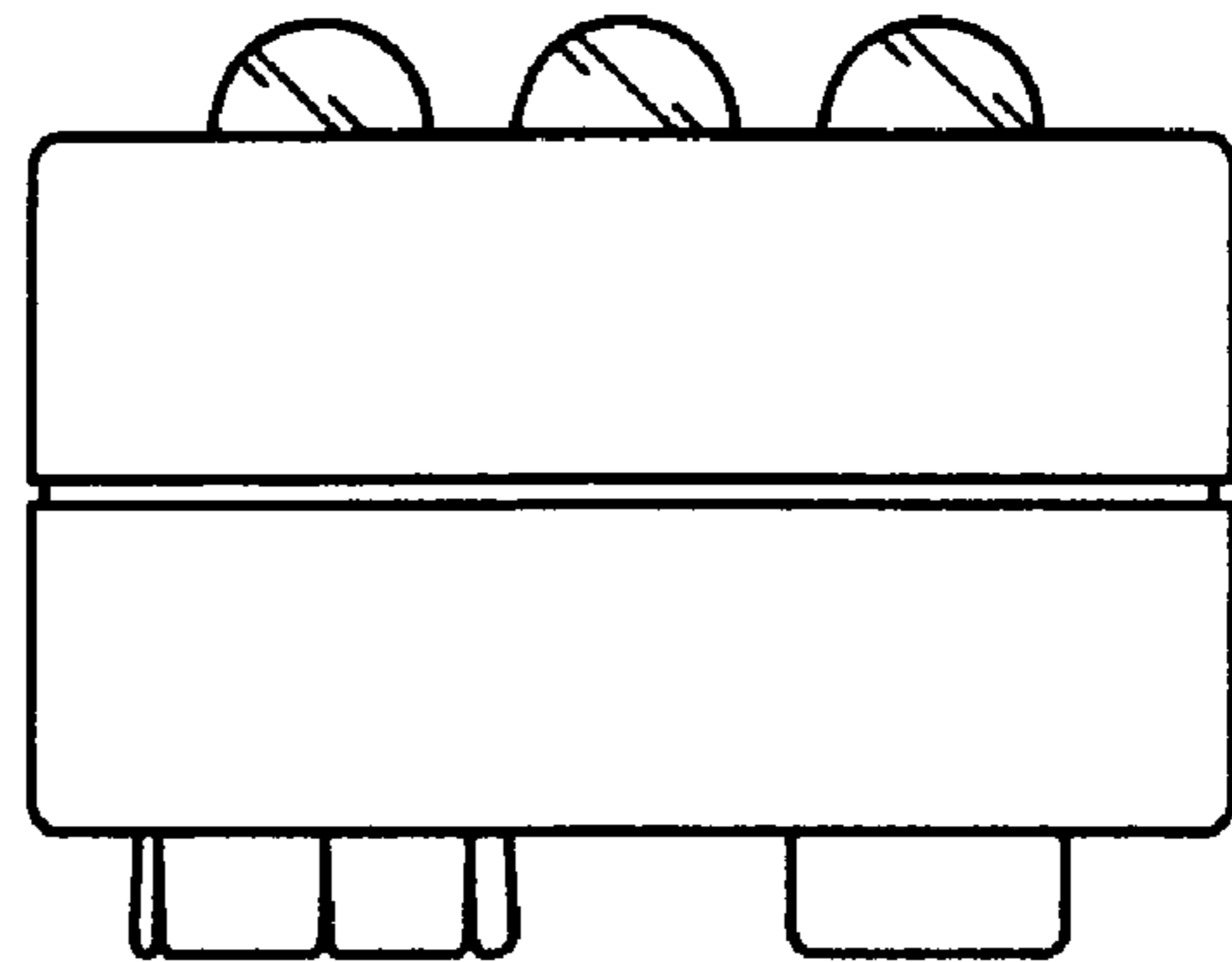


FIG. 2

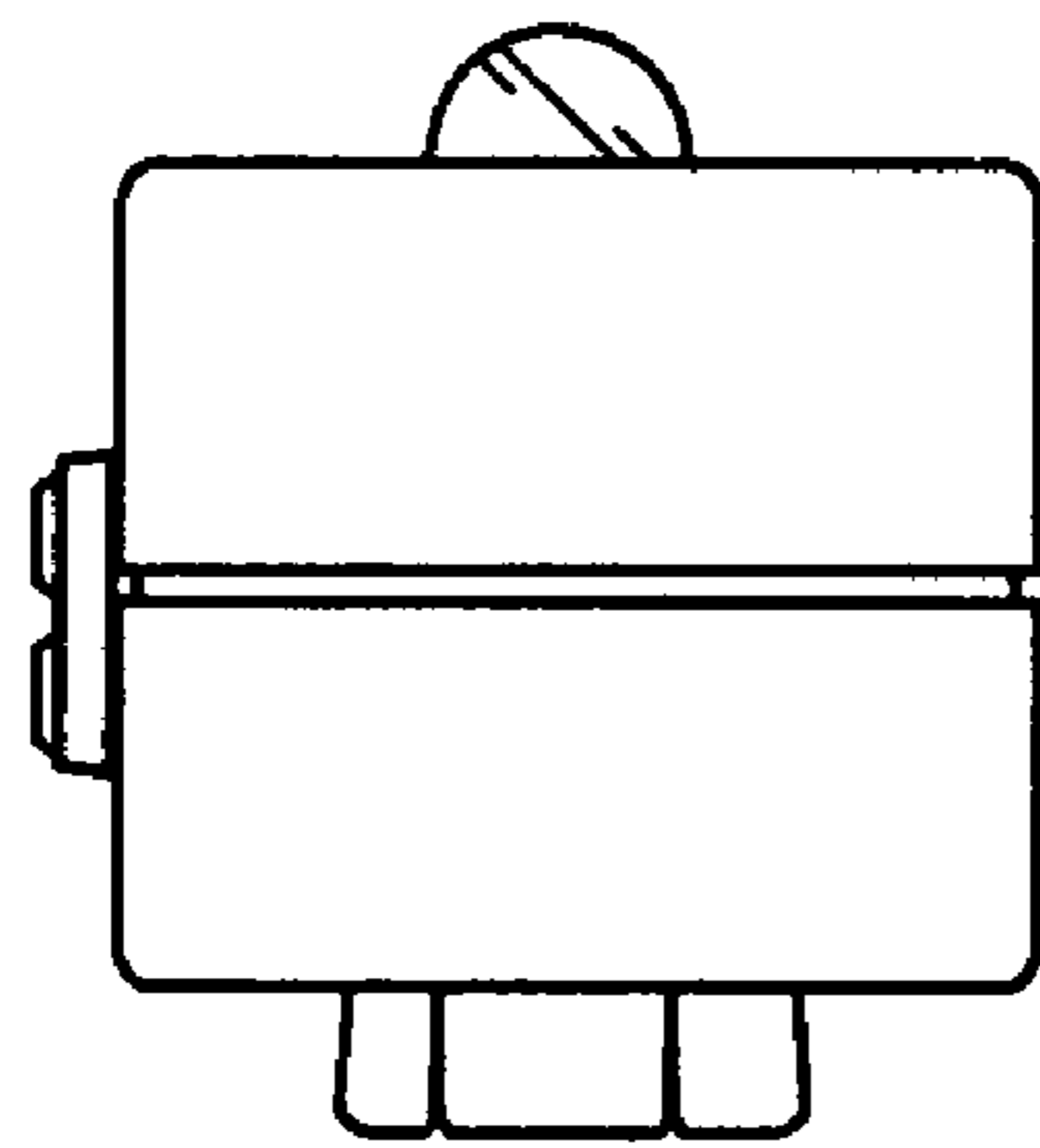


FIG. 3

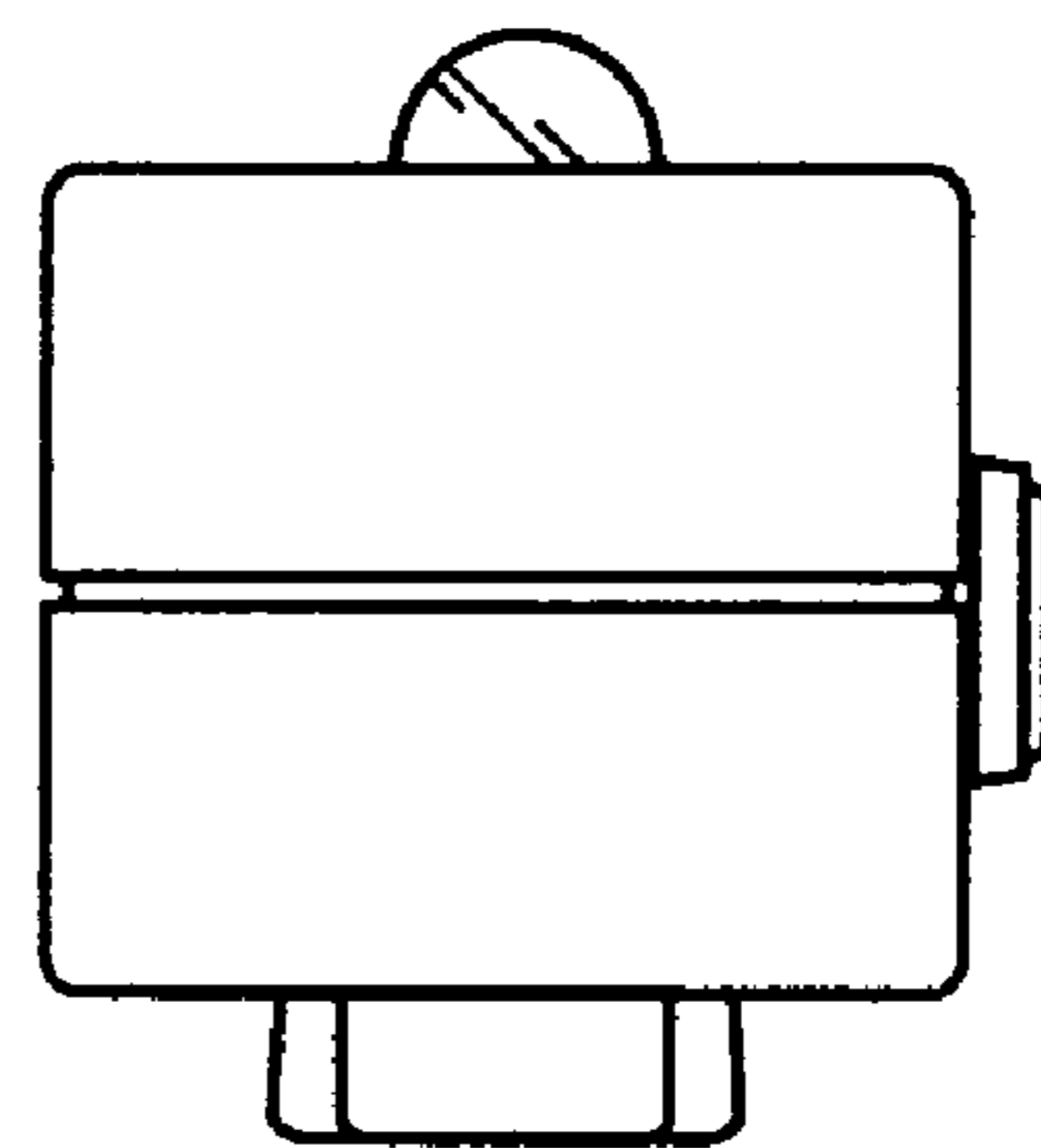


FIG. 4

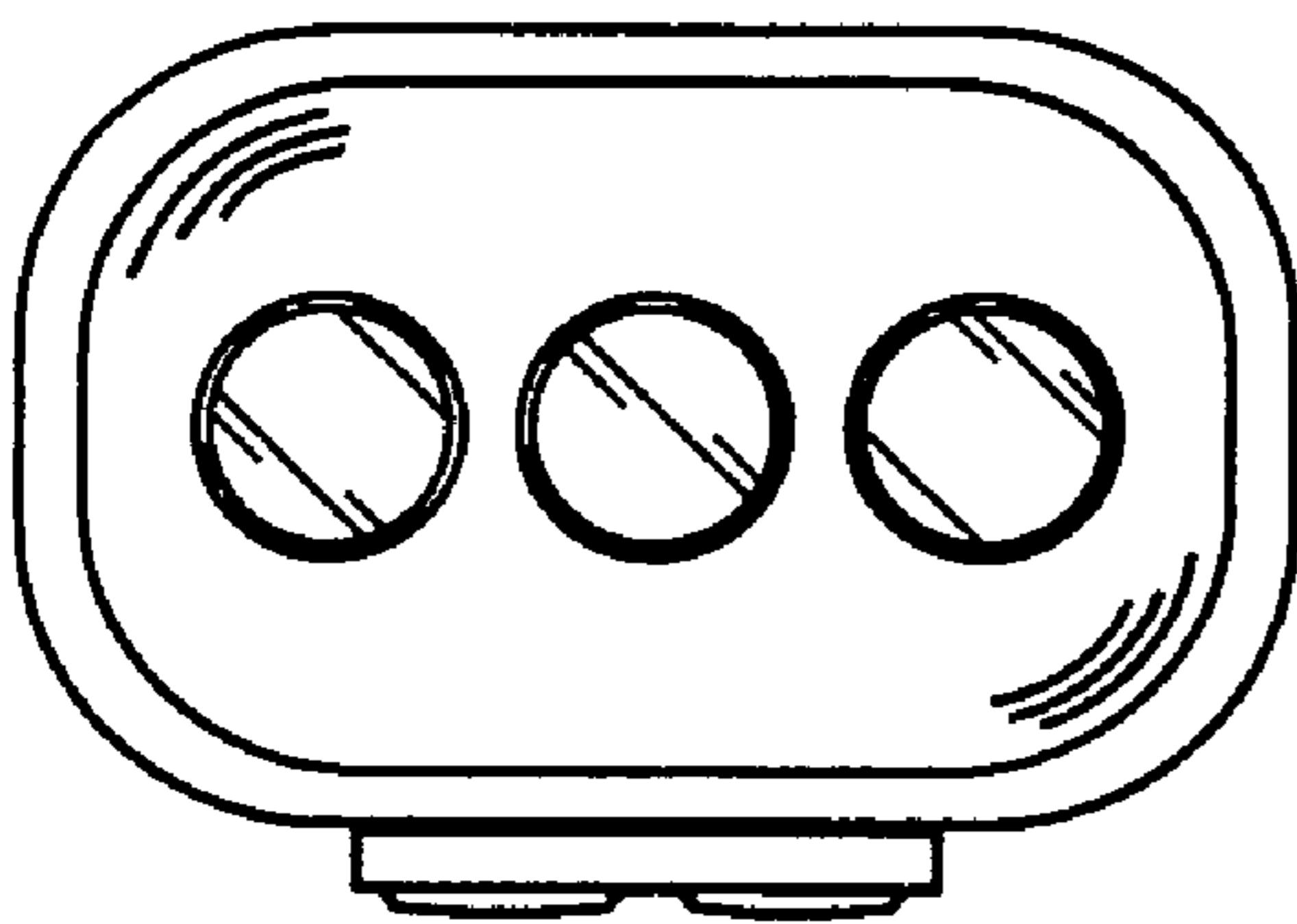


FIG. 5

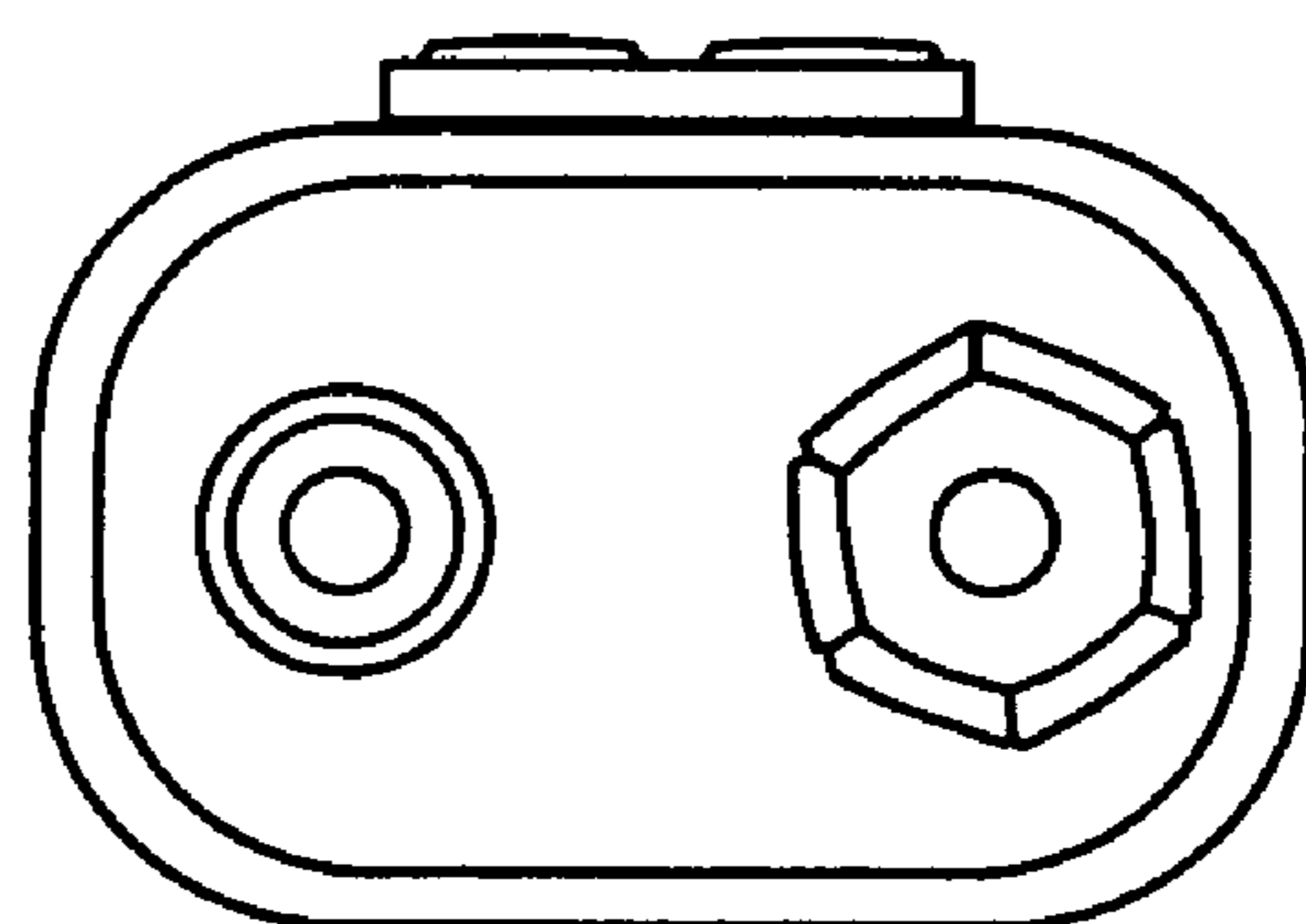


FIG. 6

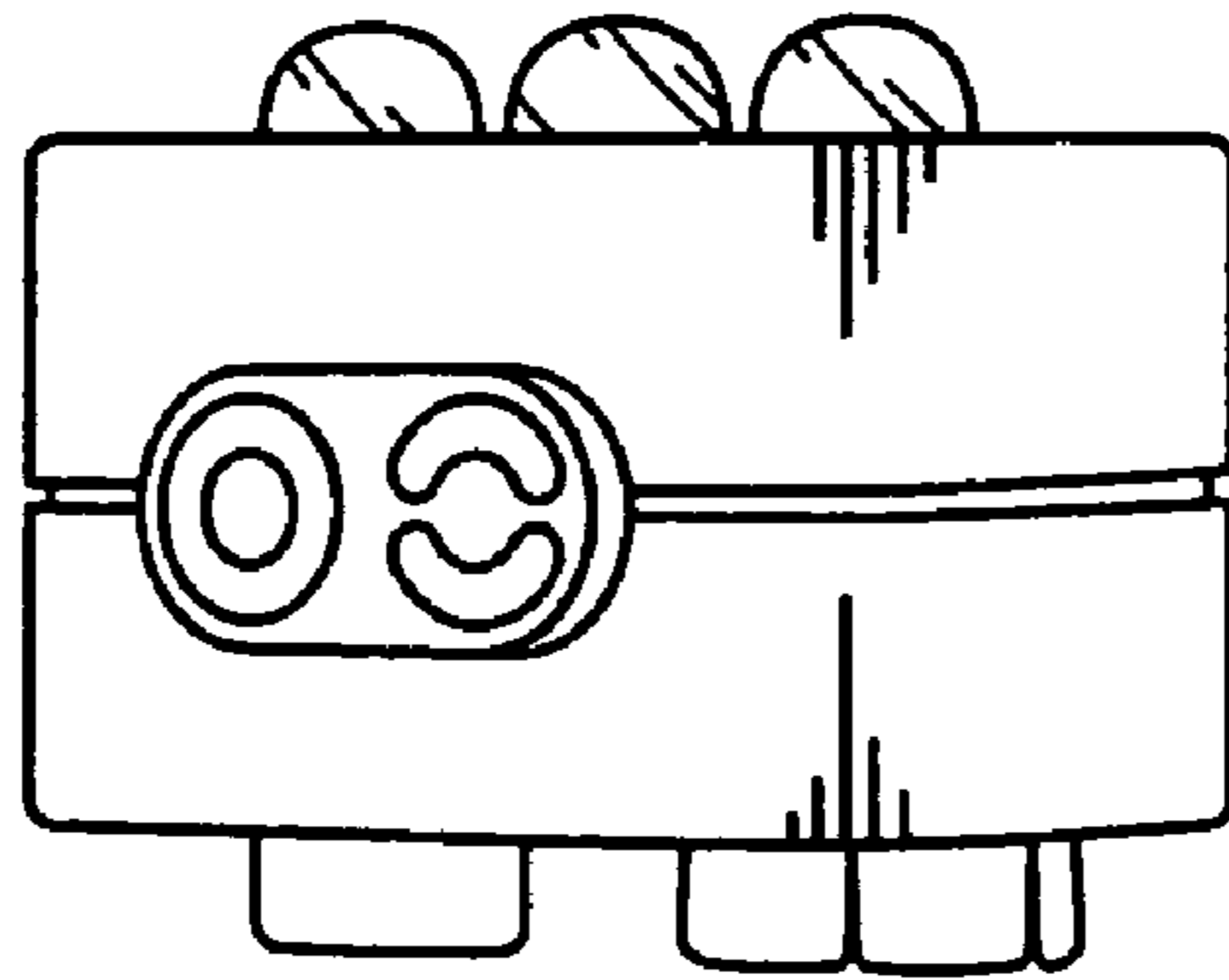


FIG. 7

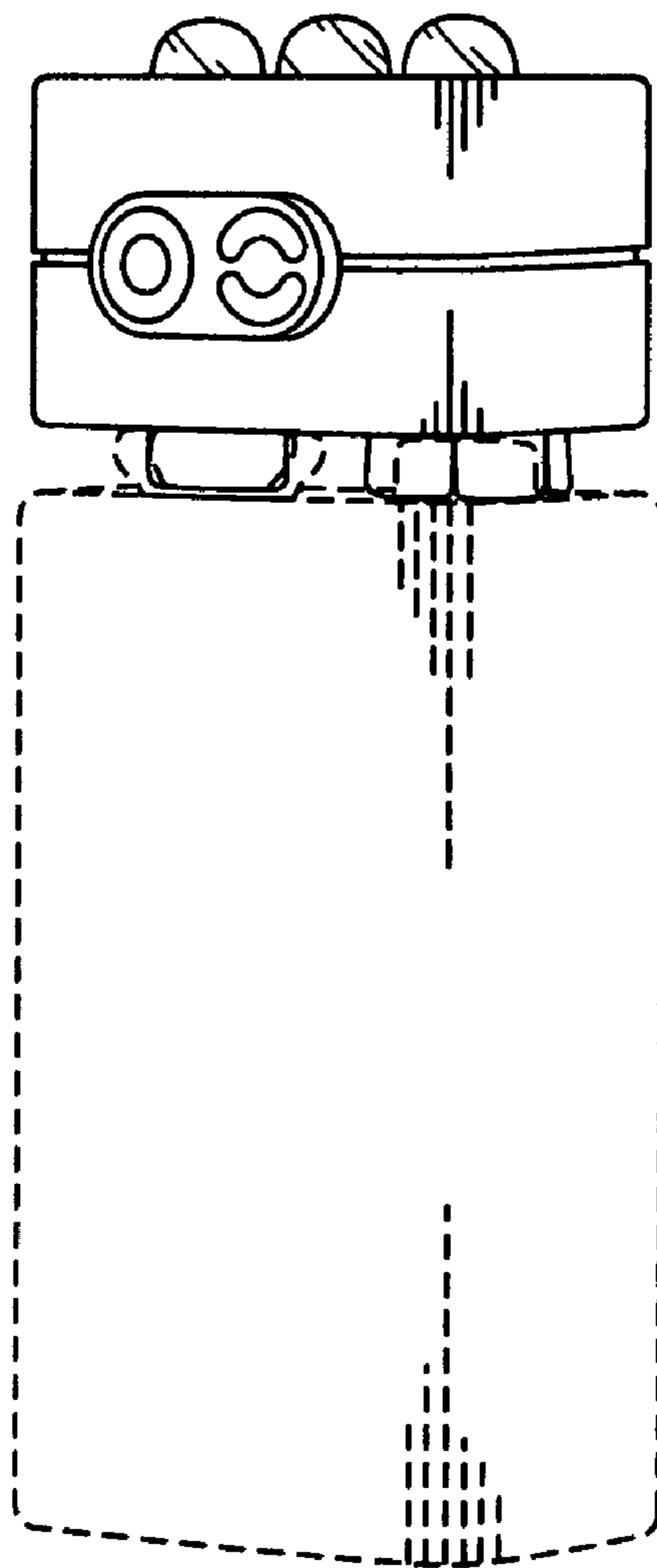


FIG. 8