



US00D590527S

(12) **United States Design Patent**
Pfeiffer

(10) **Patent No.:** **US D590,527 S**

(45) **Date of Patent:** **** Apr. 14, 2009**

(54) **HEADLIGHT FOR A VEHICLE**

(75) Inventor: **Peter Pfeiffer**, Boeblingen (DE)

(73) Assignee: **Daimler AG**, Stuttgart (DE)

(**) Term: **14 Years**

(21) Appl. No.: **29/290,337**

(22) Filed: **Nov. 21, 2007**

(30) **Foreign Application Priority Data**

May 24, 2007 (EM) 000728498-0001

(51) **LOC (9) Cl.** **26-06**

(52) **U.S. Cl.** **D26/28**

(58) **Field of Classification Search** D26/28-36;
362/459-468, 475-478, 485-487

See application file for complete search history.

(56) **References Cited**

U.S. PATENT DOCUMENTS

D517,228 S 3/2006 Pfeiffer
D521,900 S 5/2006 Schumacher
D525,169 S 7/2006 Schumacher
D526,933 S 8/2006 Schumacher

D546,486 S * 7/2007 Sinkwitz D26/28
D554,780 S * 11/2007 Sinkwitz D26/28
D560,291 S * 1/2008 Koyama D26/28
D561,358 S * 2/2008 Tachibana D26/28
D563,576 S * 3/2008 Hanaoka D26/28

* cited by examiner

Primary Examiner—Marcus A. Jackson

(74) *Attorney, Agent, or Firm*—Crowell & Moring LLP

(57) **CLAIM**

The ornamental design for a headlight for a vehicle, as shown and described.

DESCRIPTION

FIG. 1 is a perspective view of a first embodiment of a headlight for a vehicle according to my novel design;

FIG. 2 is a front view thereof; and

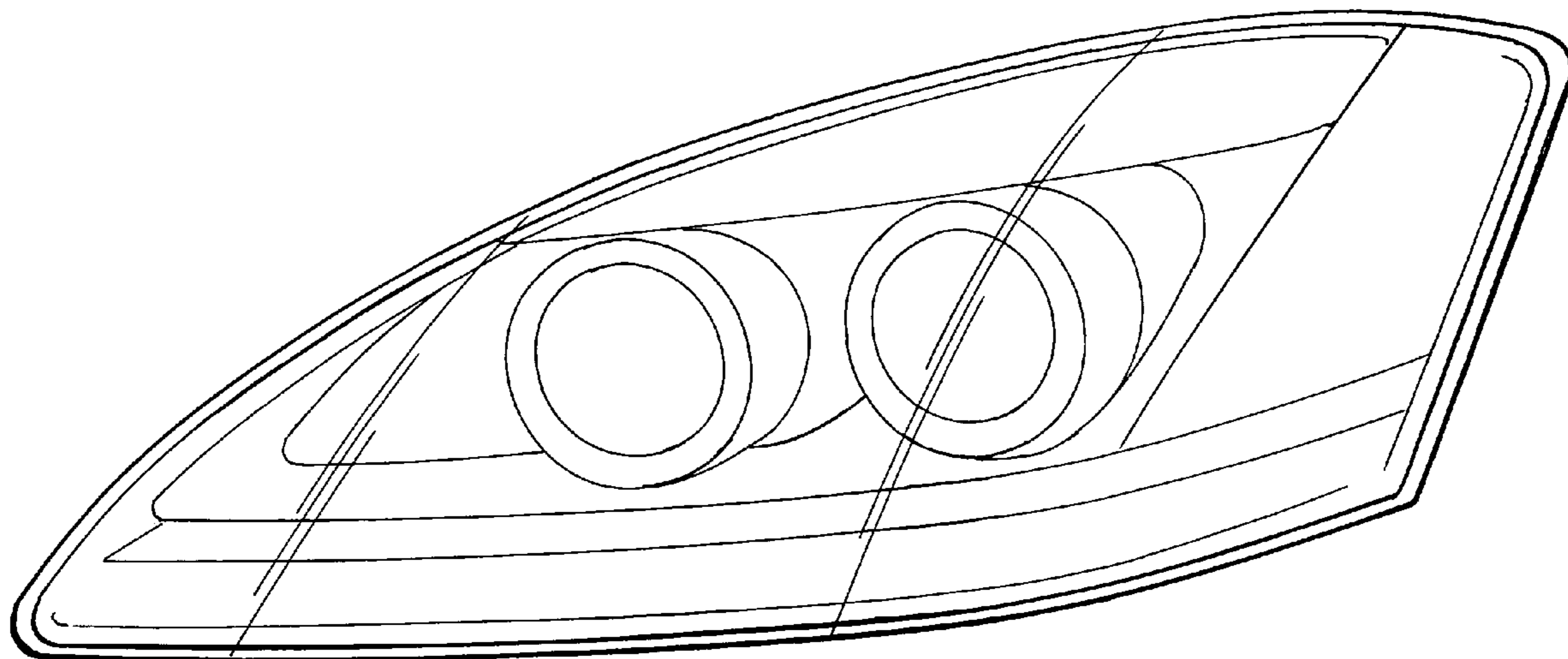
FIG. 3 is a side view thereof.

FIG. 4 is a perspective view of a second embodiment of the headlight for a vehicle according to my novel design;

FIG. 5 is a front view thereof; and,

FIG. 6 is a side view thereof.

1 Claim, 6 Drawing Sheets



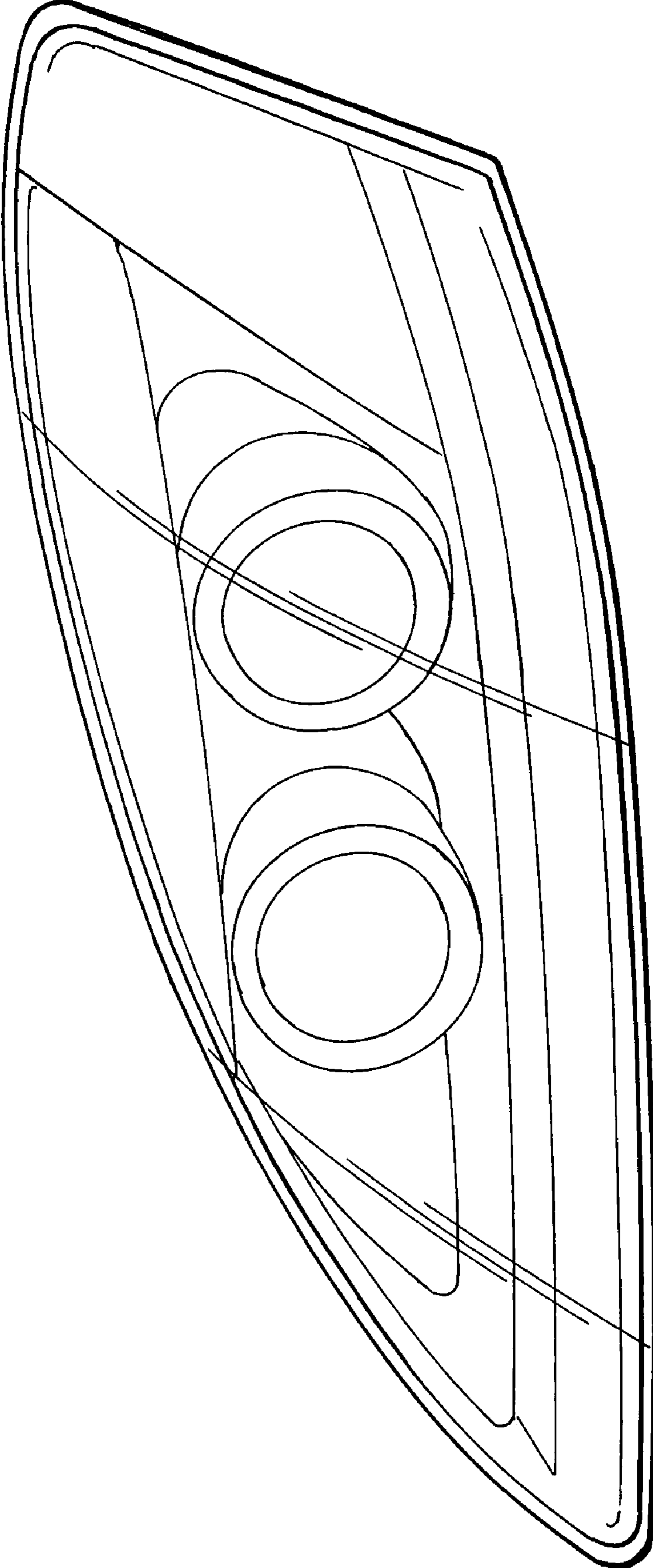


FIG. 1

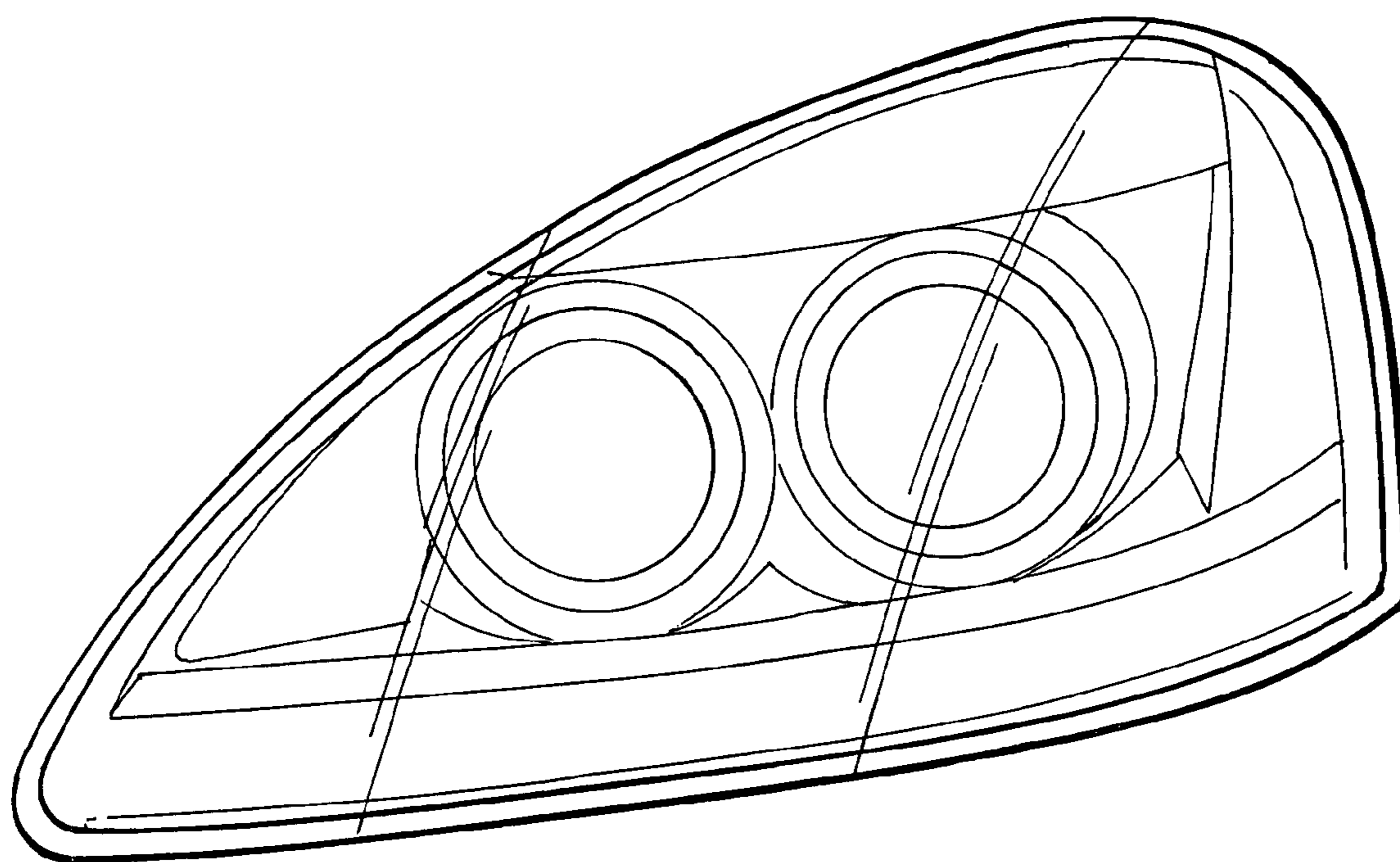


FIG. 2

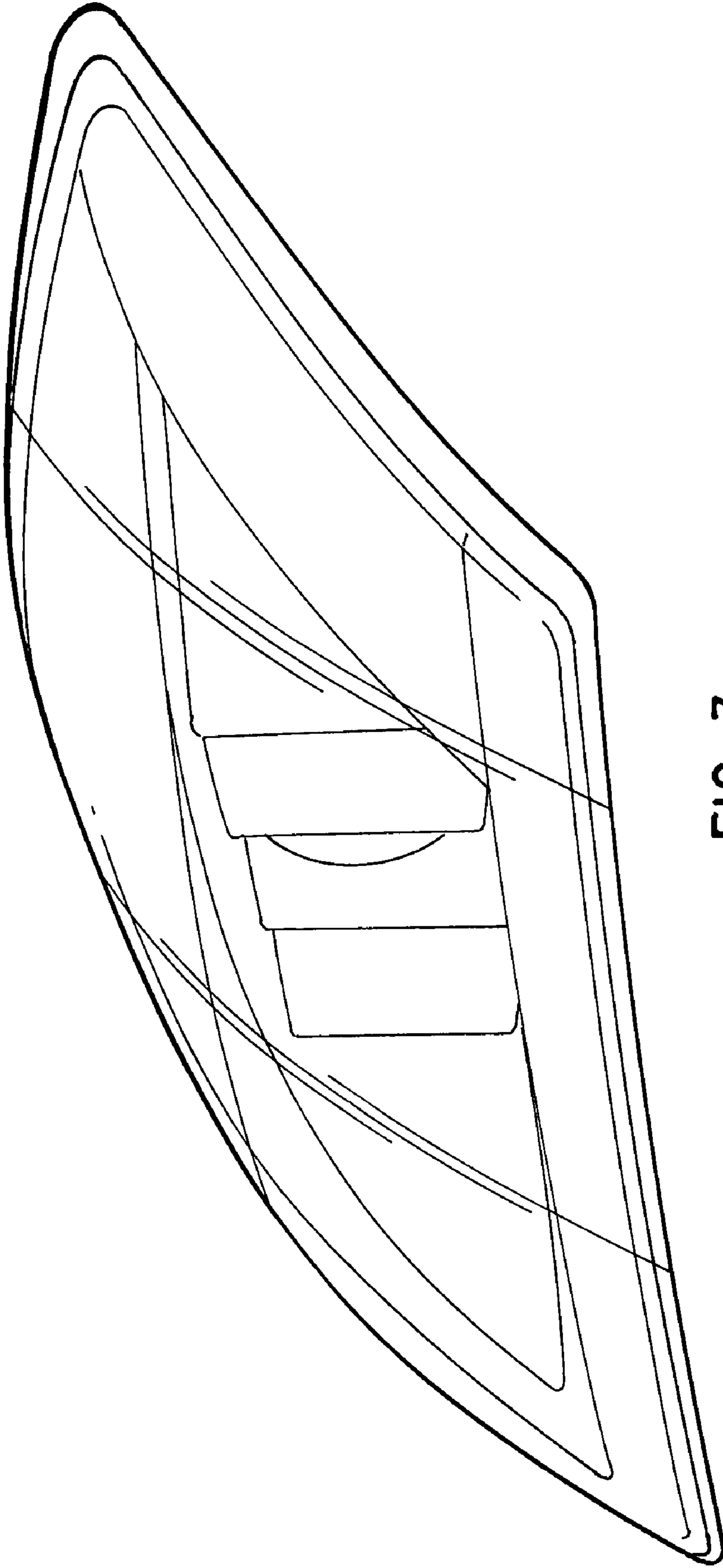


FIG. 3

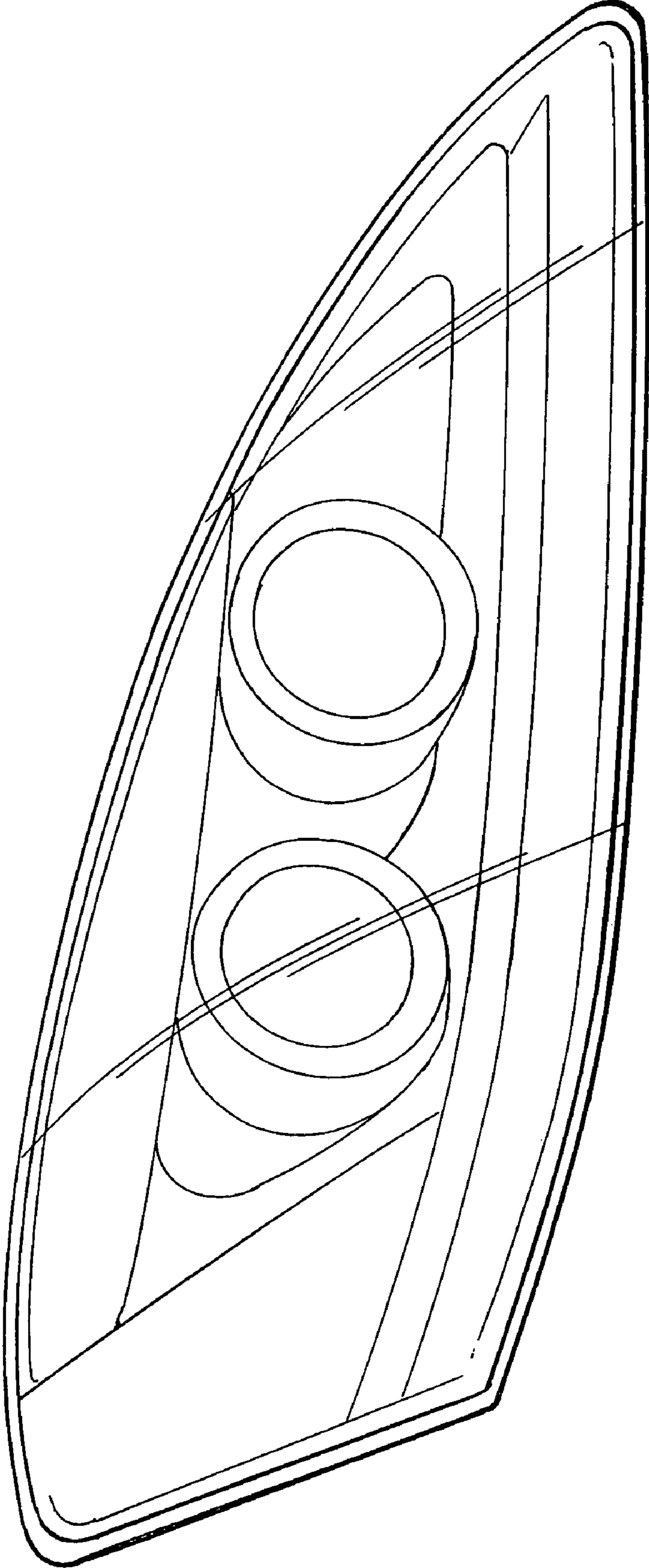


FIG. 4

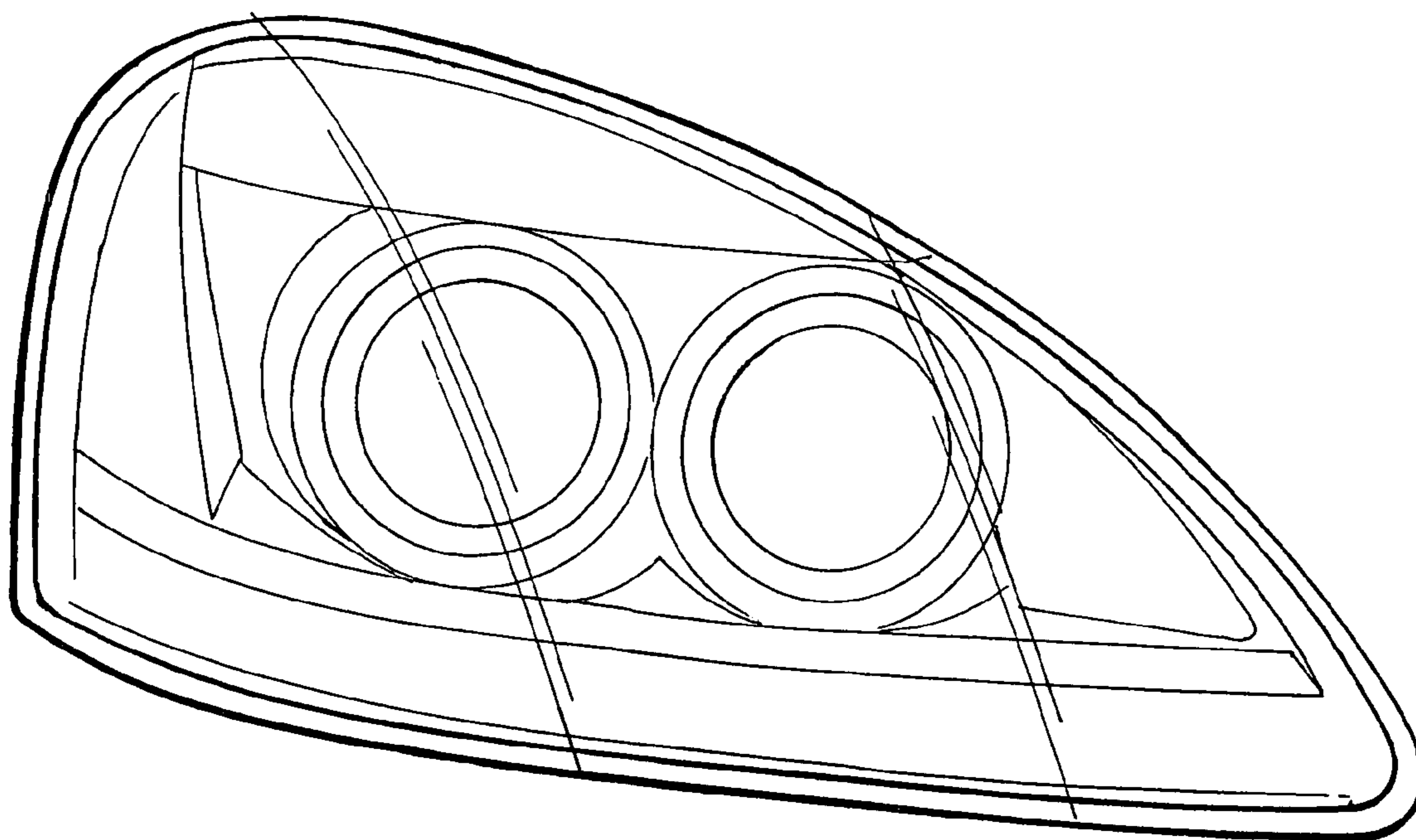


FIG. 5

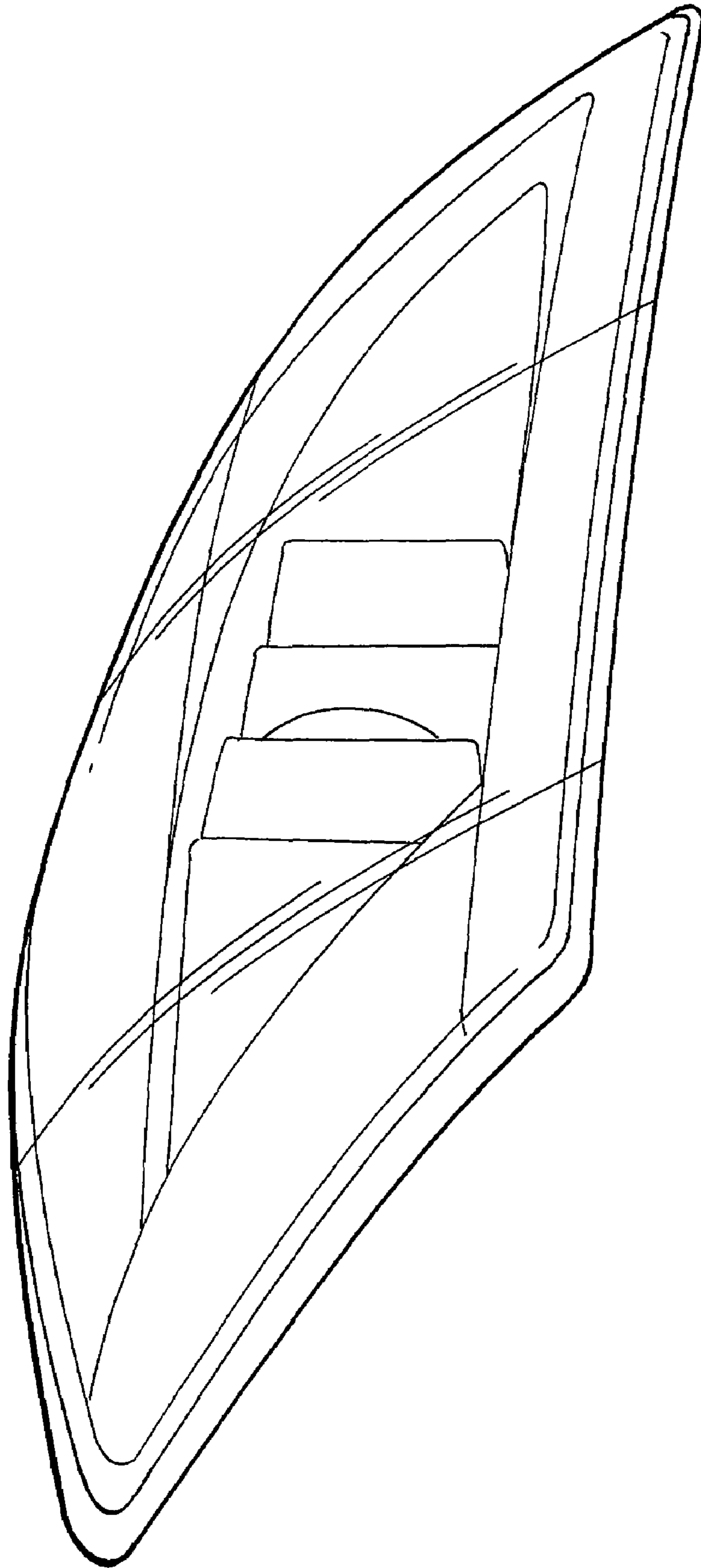


FIG. 6