



US00D590526S

(12) **United States Design Patent**  
**Pfeiffer**

(10) **Patent No.:** **US D590,526 S**

(45) **Date of Patent:** **\*\* Apr. 14, 2009**

(54) **TAILLIGHT FOR A VEHICLE**

(75) Inventor: **Peter Pfeiffer**, Boeblingen (DE)

(73) Assignee: **Daimler AG**, Stuttgart (DE)

(\*\*) Term: **14 Years**

(21) Appl. No.: **29/290,336**

(22) Filed: **Nov. 21, 2007**

(30) **Foreign Application Priority Data**

May 24, 2007 (EM) ..... 000728498-0002

(51) **LOC (9) Cl.** ..... **26-06**

(52) **U.S. Cl.** ..... **D26/28**

(58) **Field of Classification Search** ..... D26/28-36;  
362/459-468, 475-478, 485-487

See application file for complete search history.

(56) **References Cited**

**U.S. PATENT DOCUMENTS**

- D521,900 S 5/2006 Schumacher
- D525,169 S 7/2006 Schumacher
- D526,933 S 8/2006 Schumacher
- D552,769 S \* 10/2007 Leclercq ..... D26/28

- D553,269 S \* 10/2007 Pfeiffer et al. .... D26/28
- D560,292 S \* 1/2008 Sato ..... D26/28
- D561,357 S \* 2/2008 Leclercq ..... D26/28
- D570,015 S \* 5/2008 Hsu ..... D26/28
- D574,524 S \* 8/2008 Tomatsu ..... D26/28

\* cited by examiner

*Primary Examiner*—Marcus A. Jackson

(74) *Attorney, Agent, or Firm*—Crowell & Moring LLP

(57) **CLAIM**

The ornamental design for a taillight for a vehicle, as shown and described.

**DESCRIPTION**

FIG. 1 is a perspective view of a first embodiment of a taillight for a vehicle according to my novel design;

FIG. 2 is a side view thereof; and

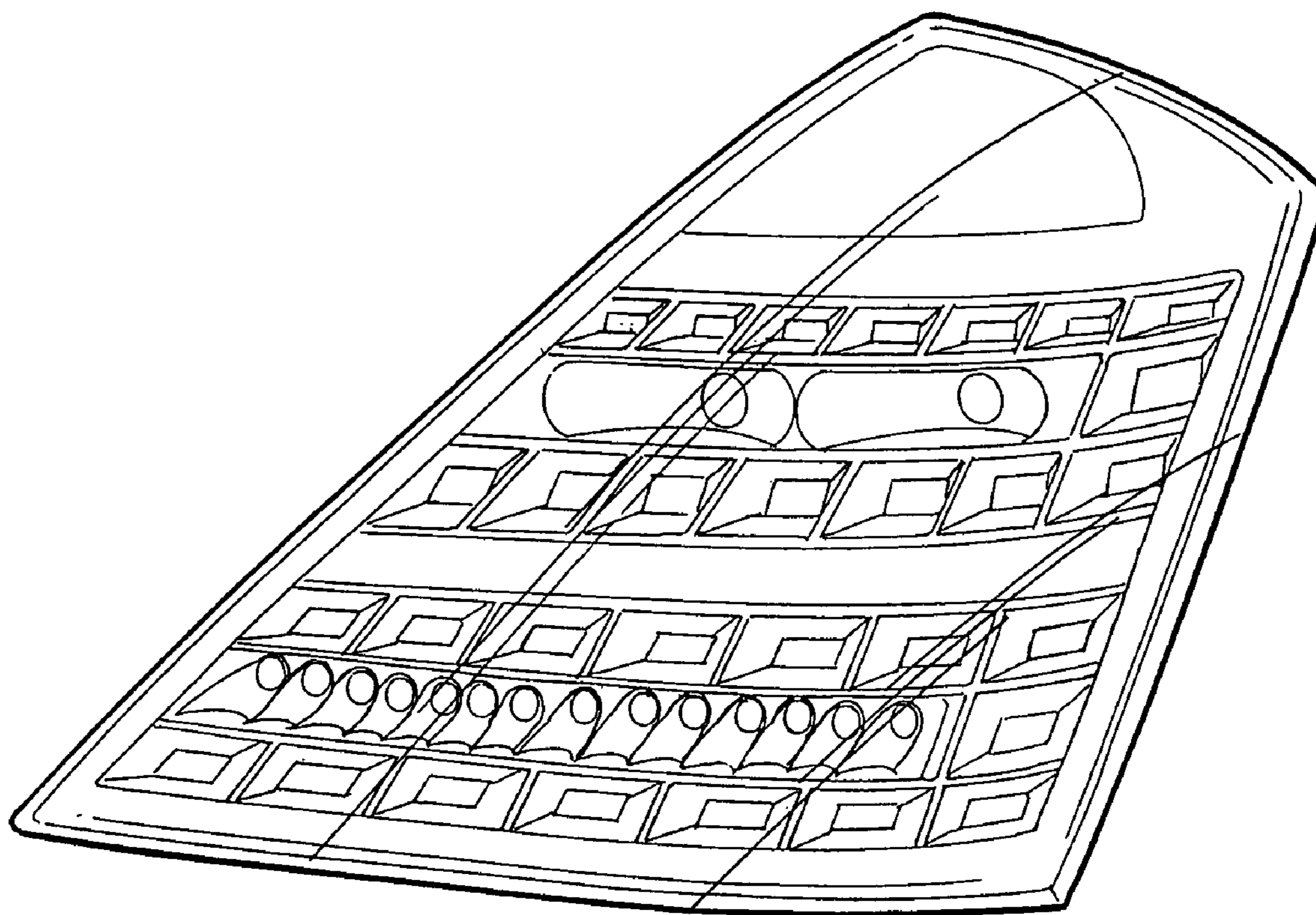
FIG. 3 is a front view thereof.

FIG. 4 is a perspective view of a second embodiment of the taillight for a vehicle according to my novel design;

FIG. 5 is a side view thereof; and,

FIG. 6 is a front view thereof.

**1 Claim, 4 Drawing Sheets**



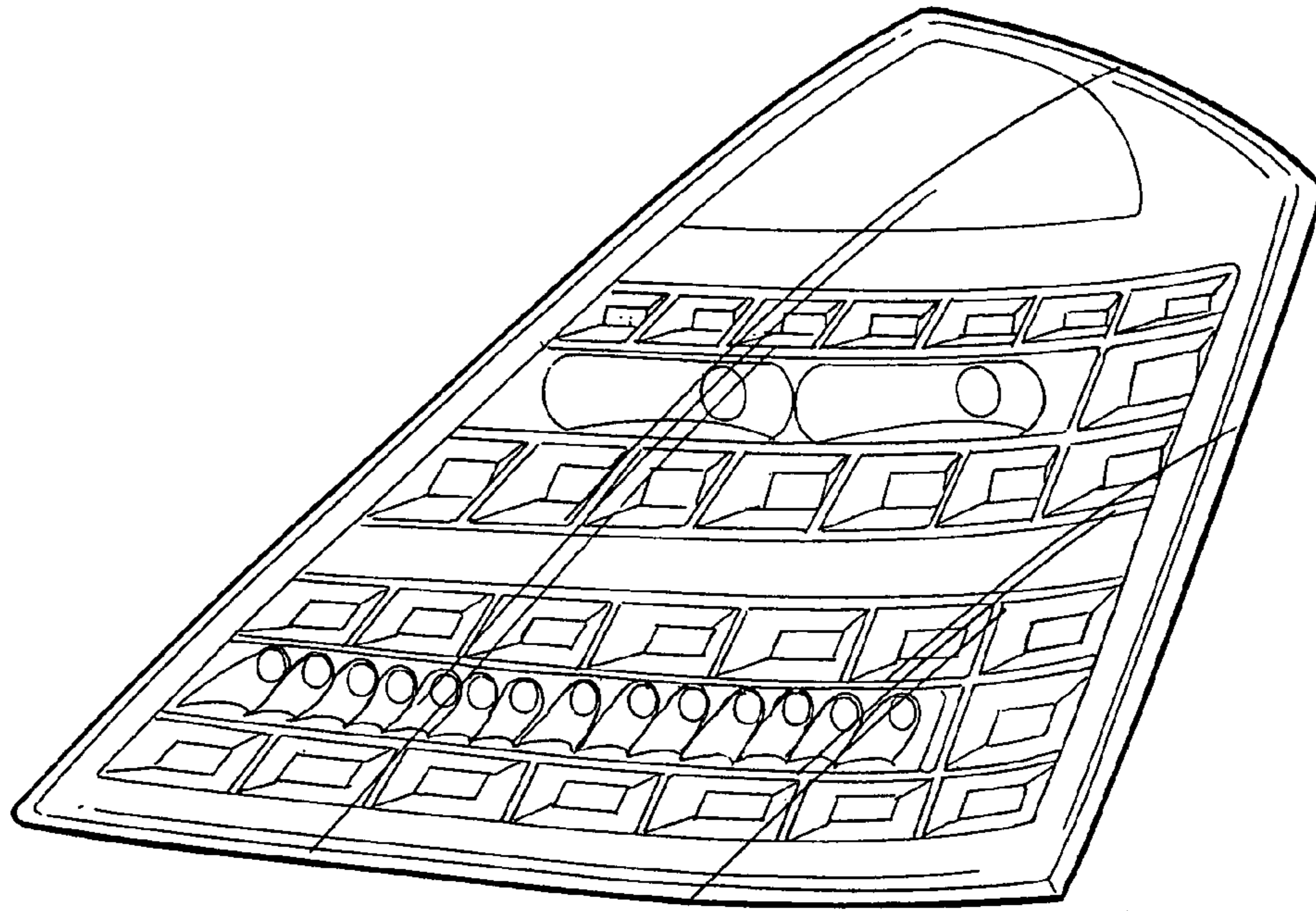


FIG. 1

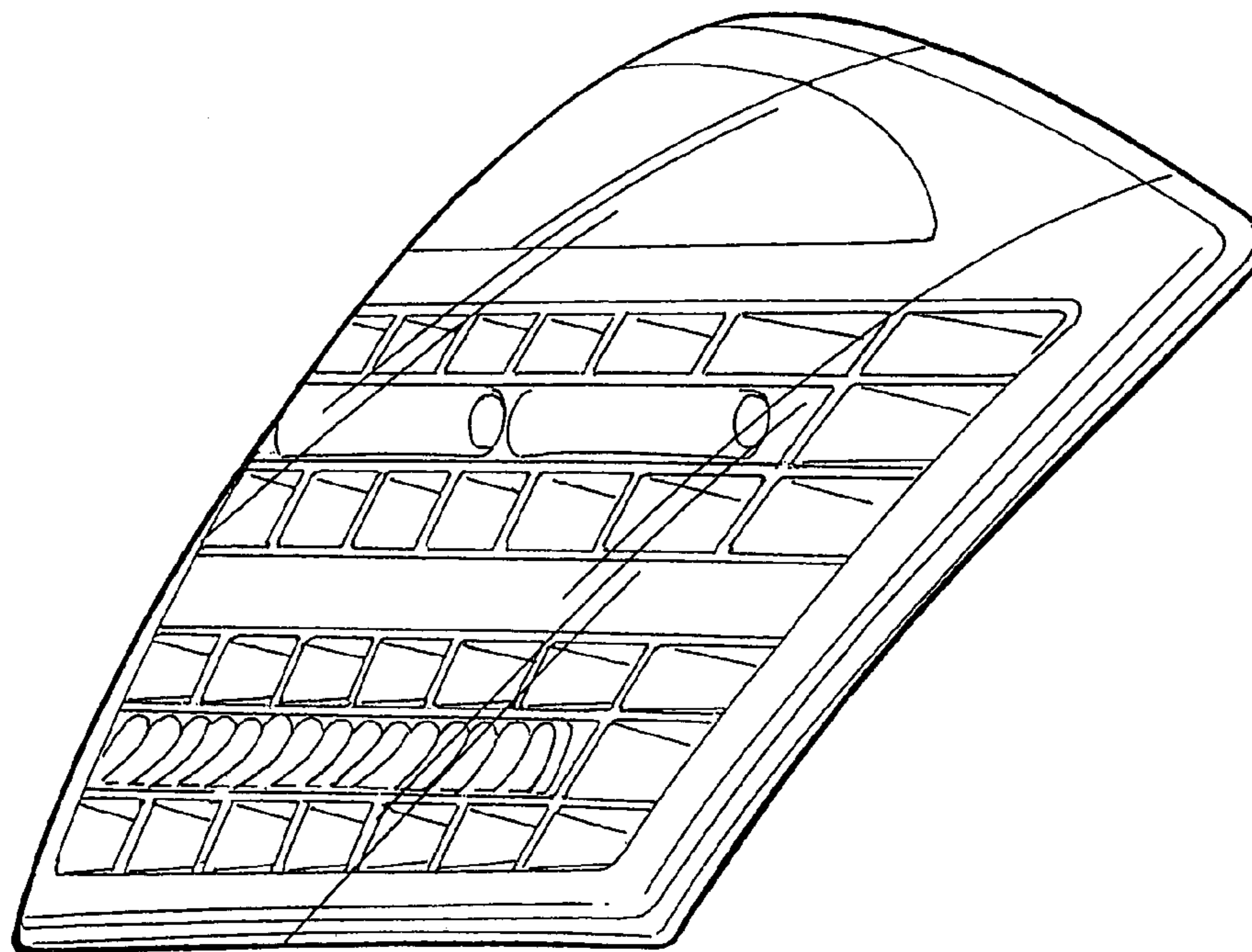


FIG. 2

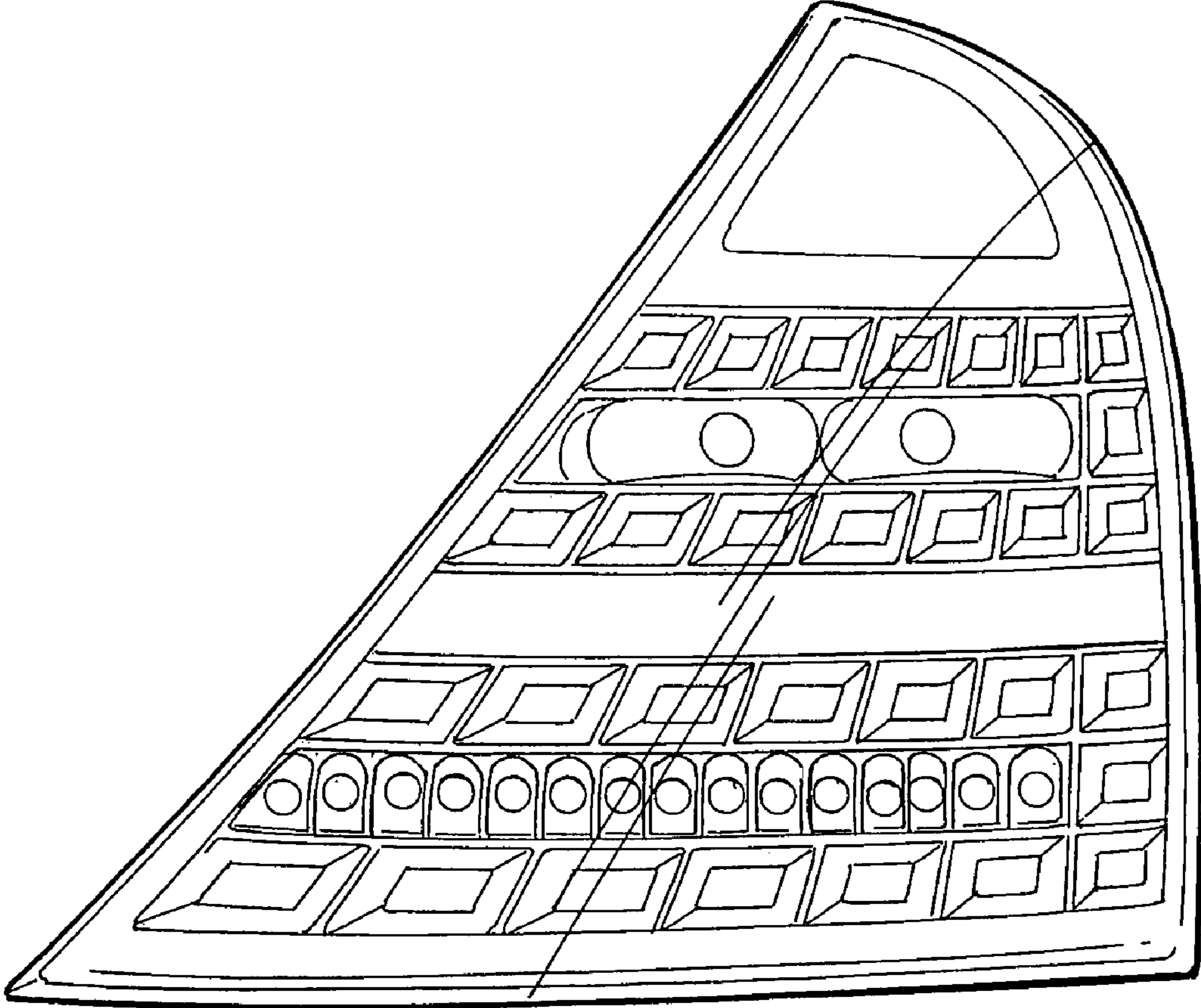


FIG. 3

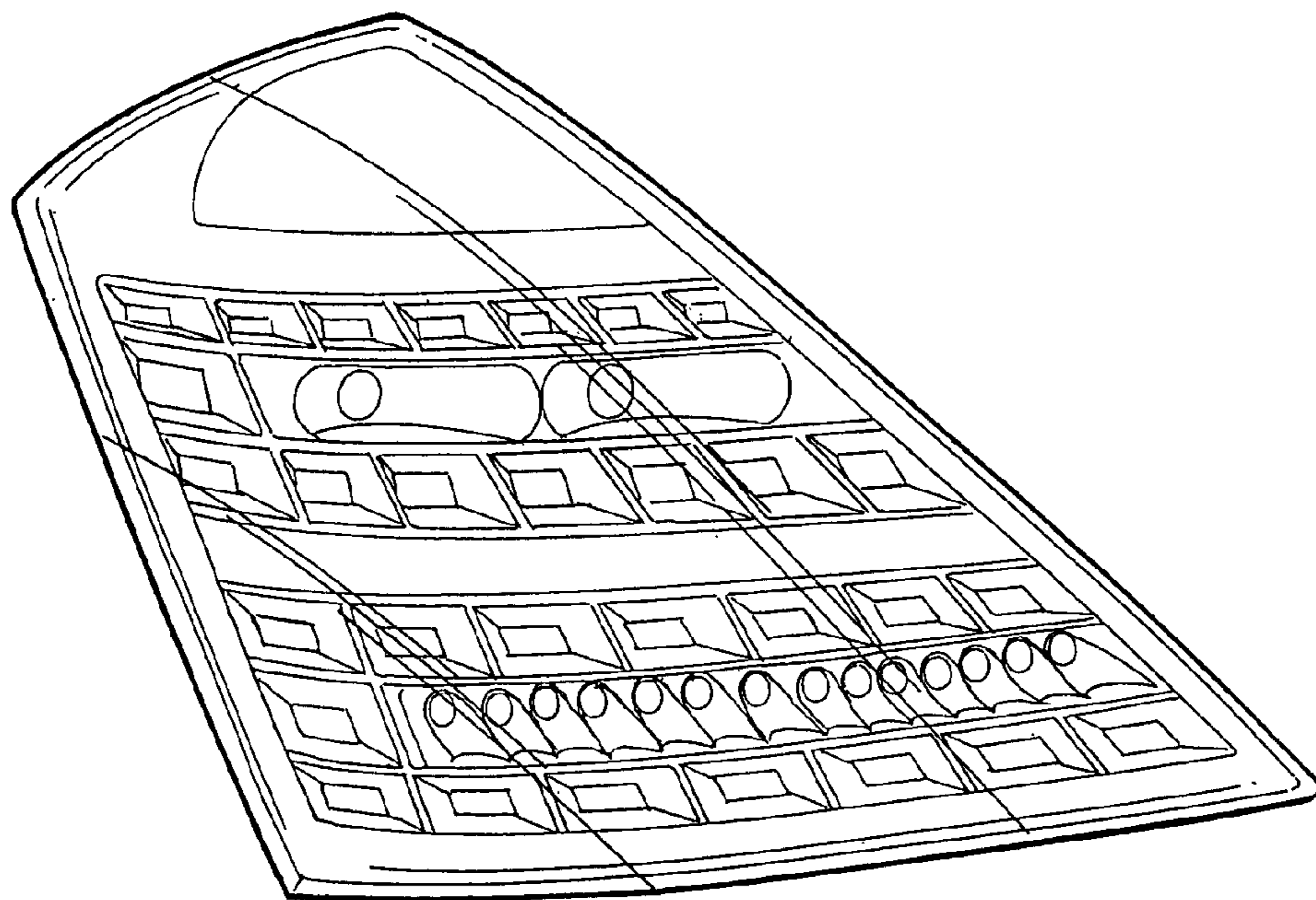


FIG. 4

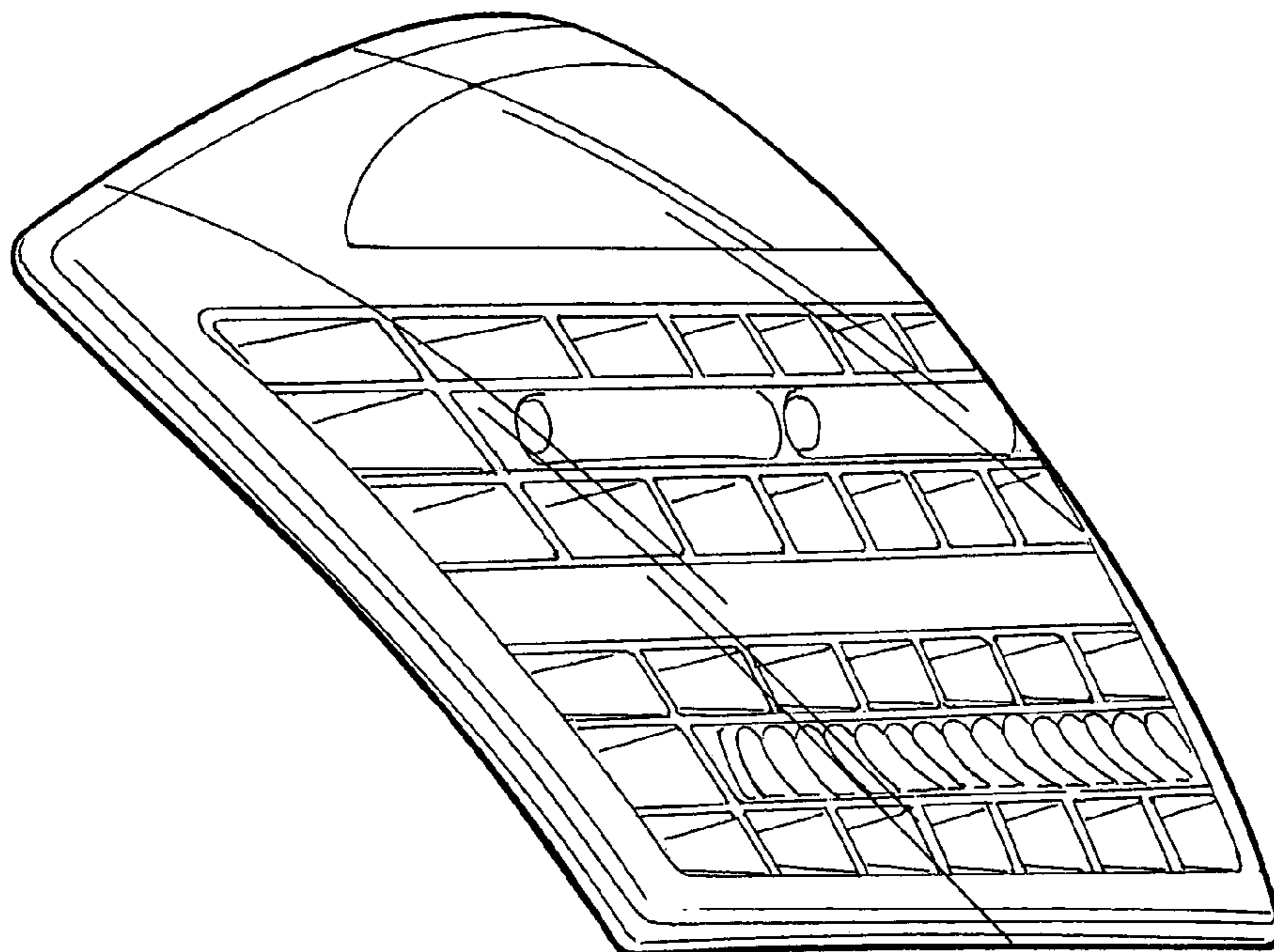


FIG. 5

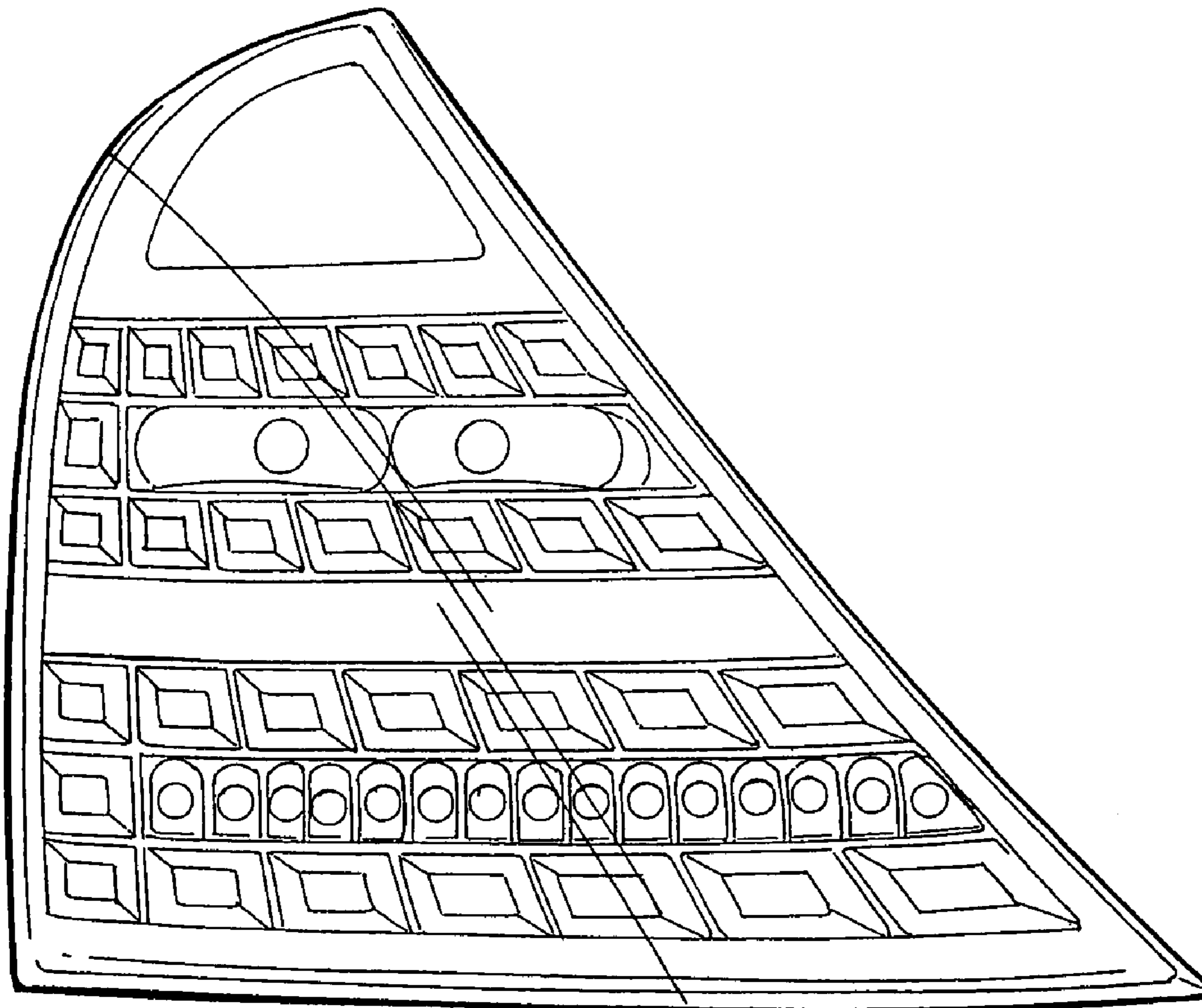


FIG. 6