



US00D590522S

(12) **United States Design Patent**
Tu et al.

(10) **Patent No.:** **US D590,522 S**
(45) **Date of Patent:** **** Apr. 14, 2009**

(54) **CELL OF ILLUMINATION**

(75) Inventors: **Hsi-Ku Tu**, Taipei Hsien (TW);
Sheng-Ping Hou, Taipei Hsien (TW);
Pin-Chun Chen, Taipei Hsien (TW);
Tsung-Ting Sun, Taipei Hsien (TW)

(73) Assignee: **Edison Opto Corporation**, Taipei Hsien (TW)

(**) Term: **14 Years**

(21) Appl. No.: **29/274,045**

(22) Filed: **Mar. 23, 2007**

(51) **LOC (9) Cl.** **26-01**

(52) **U.S. Cl.** **D26/1**

(58) **Field of Classification Search** D26/1,
D26/37-38, 57, 94; D21/478-481, 338;
362/641-644, 808, 157-158

See application file for complete search history.

(56) **References Cited**

U.S. PATENT DOCUMENTS

3,056,897 A * 10/1962 Knochel et al. 313/483
3,121,817 A * 2/1964 Saviers 313/512
D352,564 S * 11/1994 Marischen D26/26
5,662,408 A * 9/1997 Marischen 362/641
D392,756 S * 3/1998 Hanig et al. D26/26

D412,620 S * 8/1999 Vu D6/351
6,124,672 A * 9/2000 Burke 313/506
D499,151 S * 11/2004 Arabian D21/480
D520,376 S * 5/2006 Nolle D9/600

* cited by examiner

Primary Examiner—Ian Simmons

Assistant Examiner—Dana L Sipos

(74) *Attorney, Agent, or Firm*—Birch, Stewart, Kolasch & Birch, LLP

(57) **CLAIM**

We claim the ornamental design for a cell of illumination, as shown and described.

DESCRIPTION

FIG. 1 is a top, front, left side perspective view of a cell of illumination showing our new design;

FIG. 2 is a front elevation view thereof;

FIG. 3 is a rear elevation view thereof;

FIG. 4 is a left side elevation view thereof;

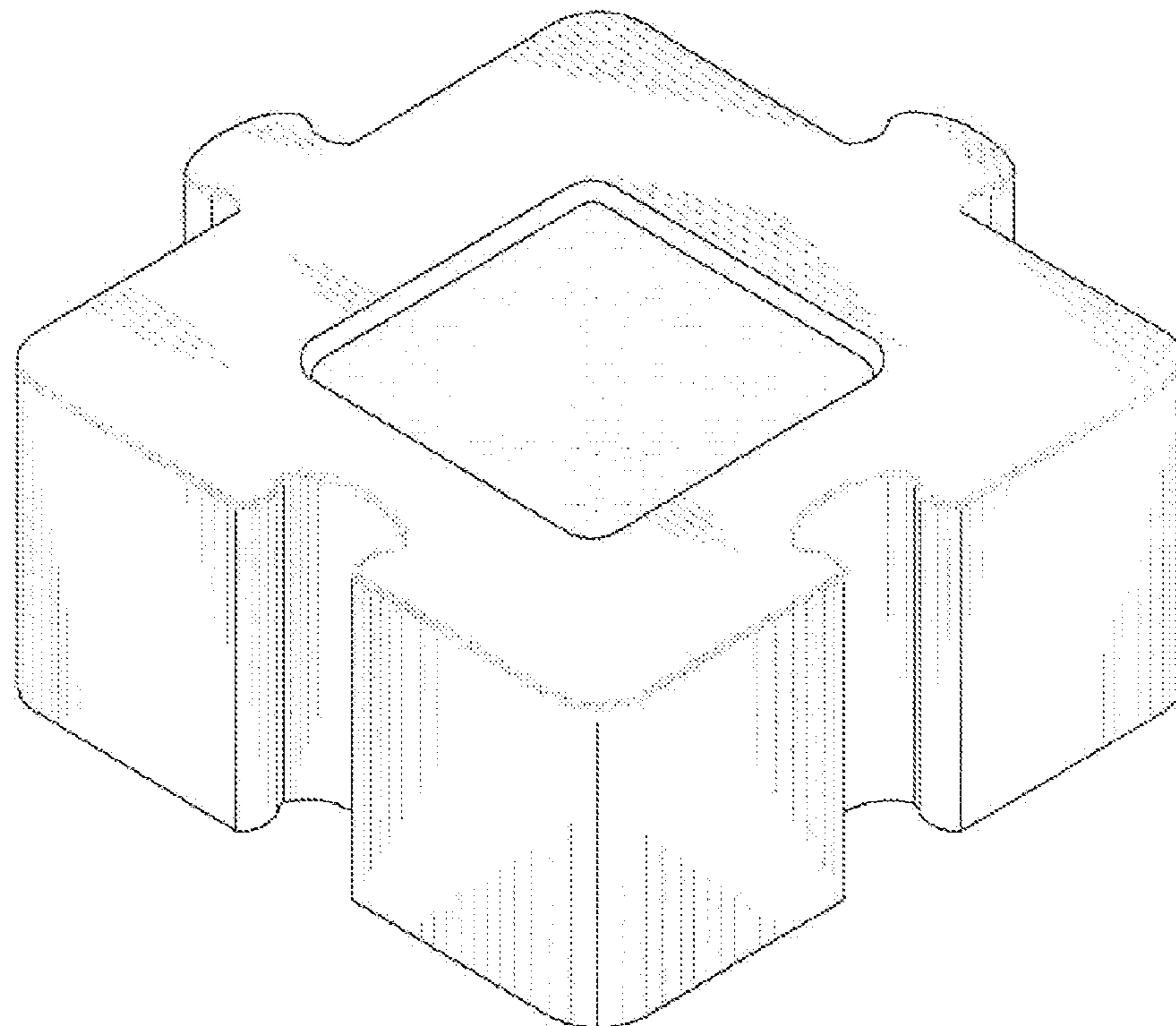
FIG. 5 is a right side elevation view thereof;

FIG. 6 is a top plan view thereof;

FIG. 7 is a bottom plan view thereof; and,

FIG. 8 is a bottom perspective view thereof.

1 Claim, 5 Drawing Sheets



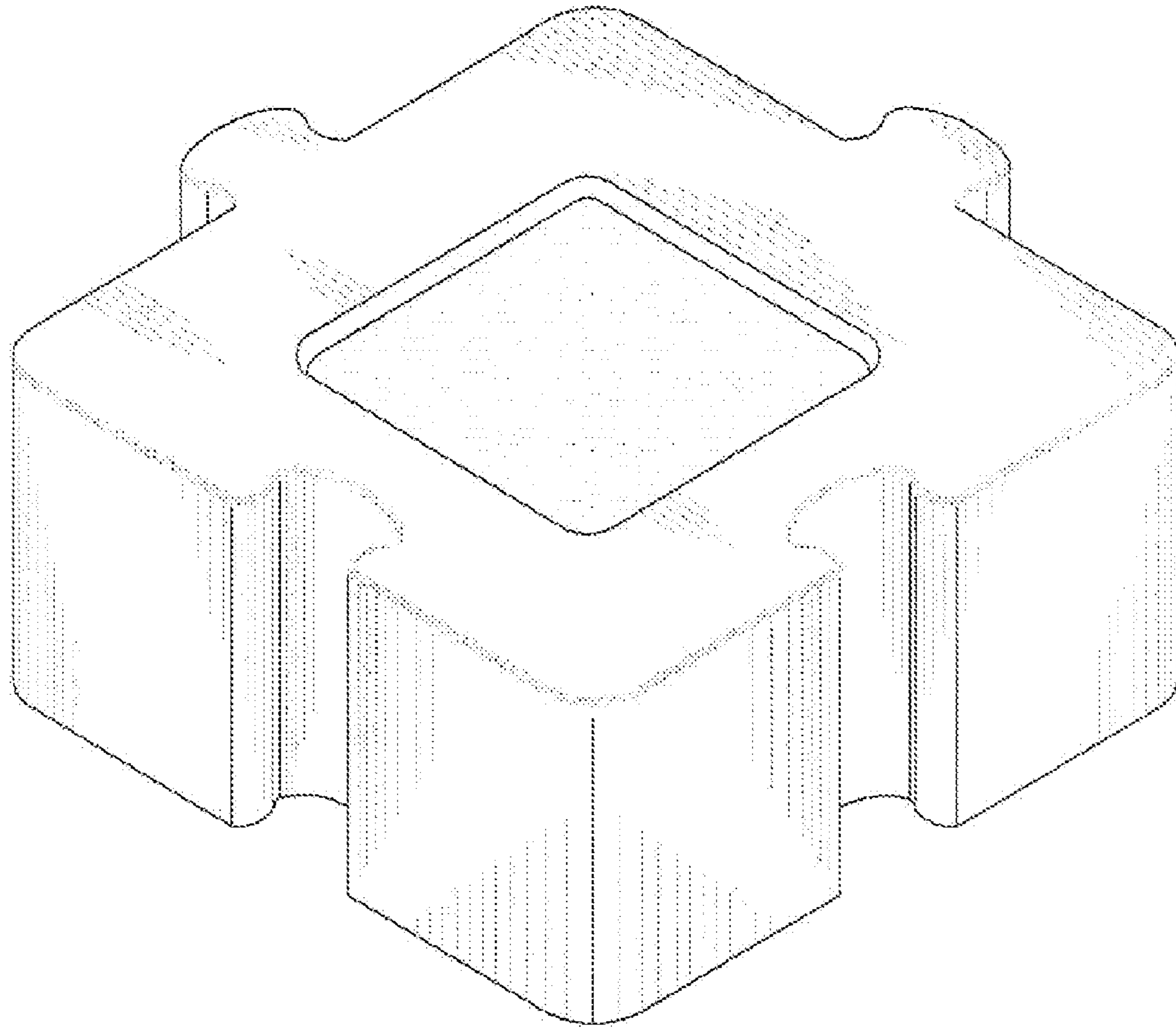


FIG. 1

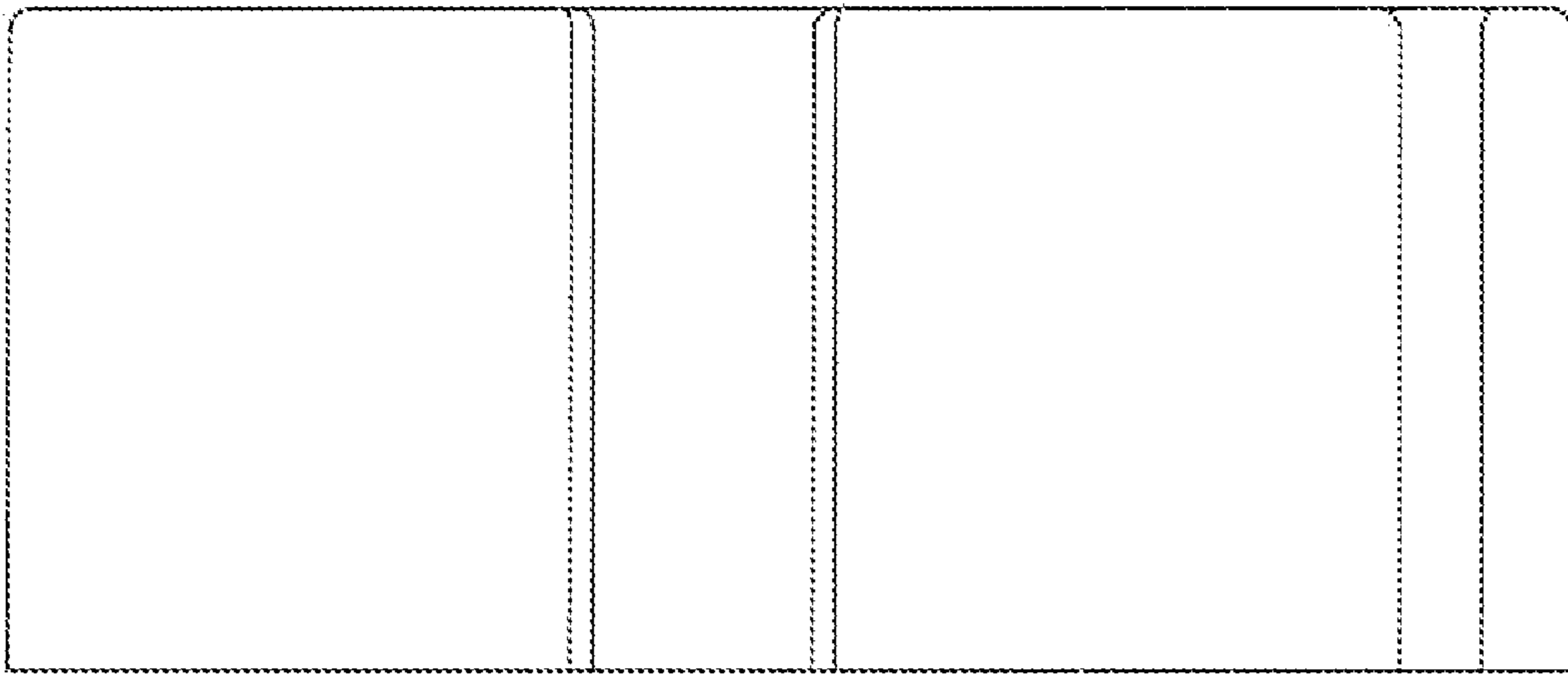


FIG. 2

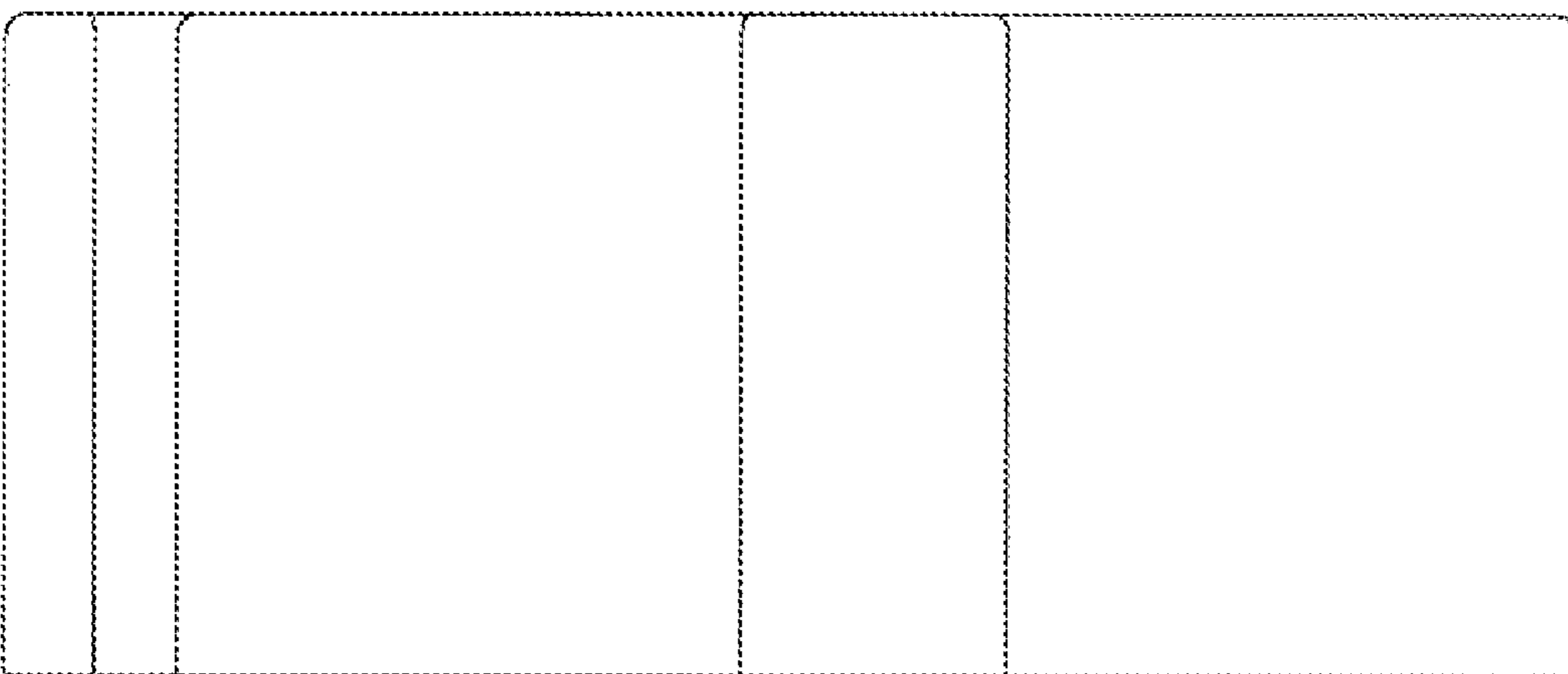


FIG. 3

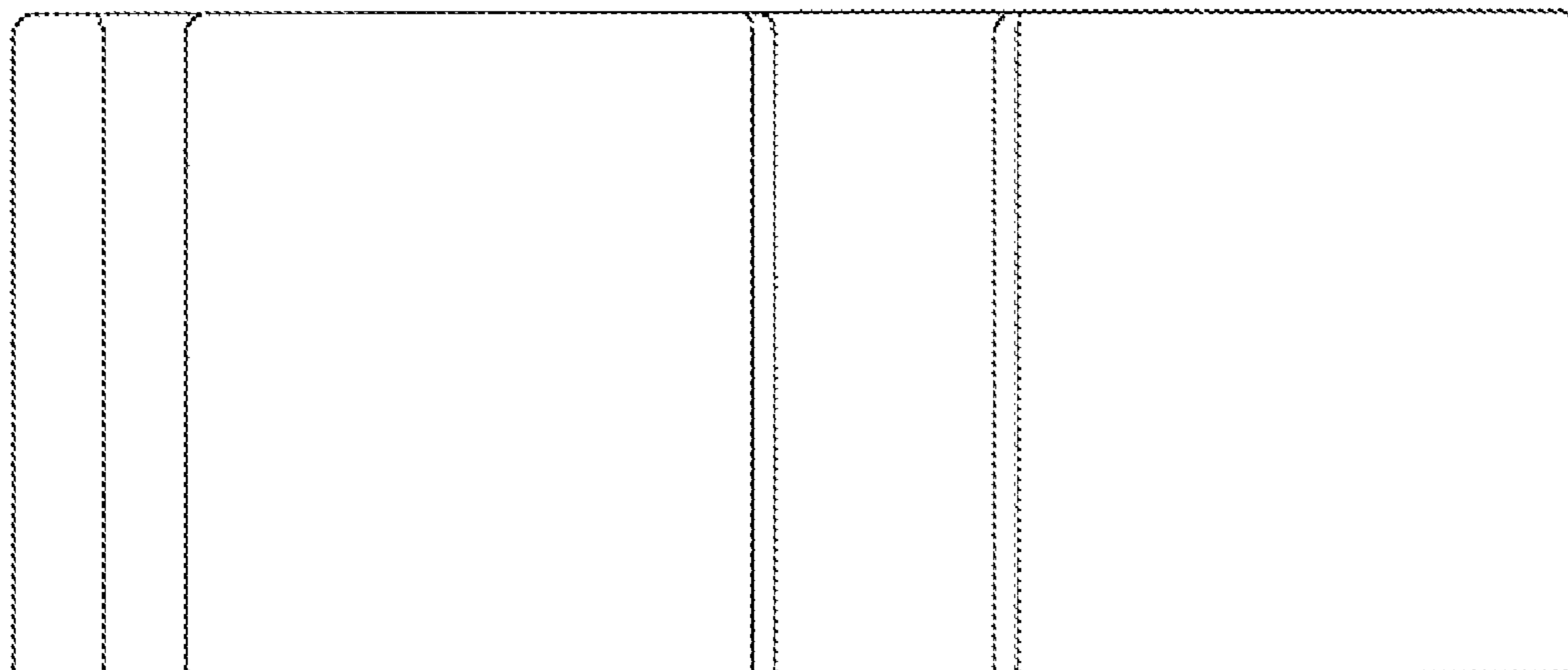


FIG. 4

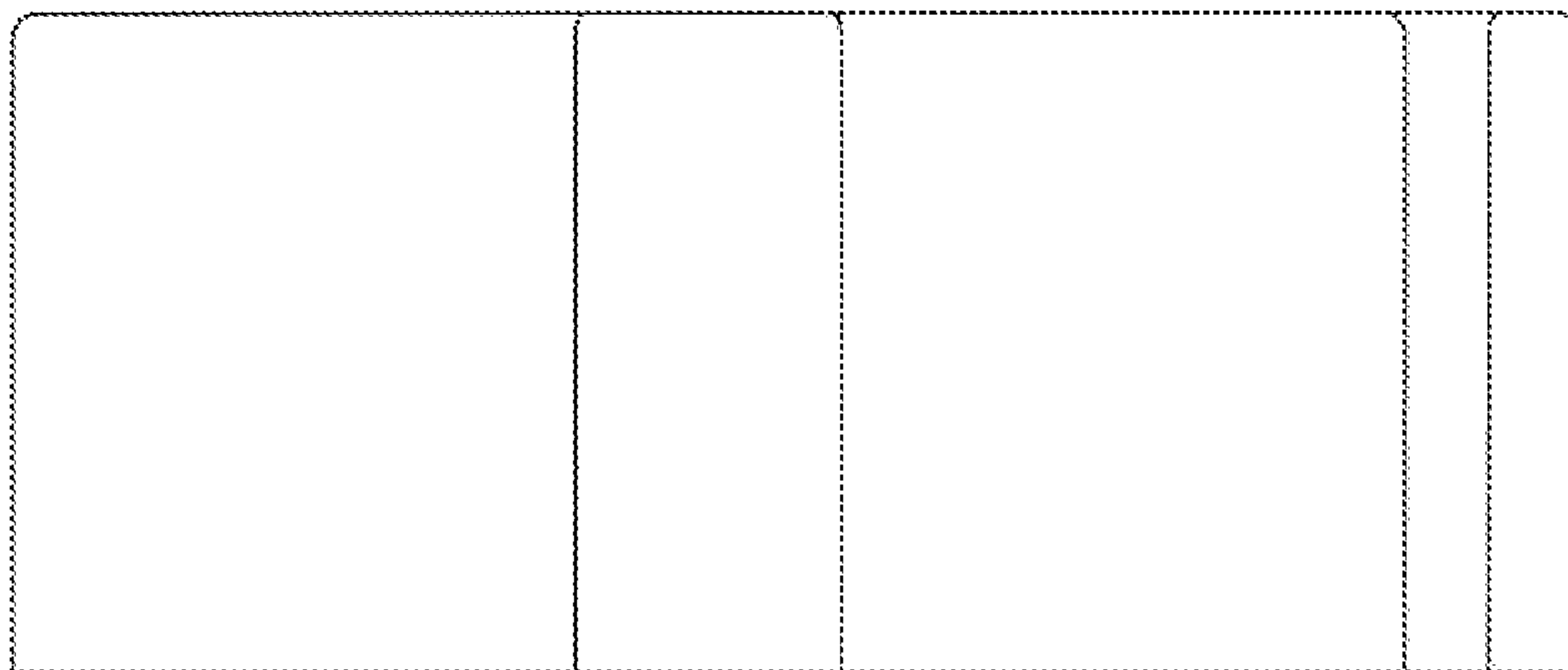


FIG. 5

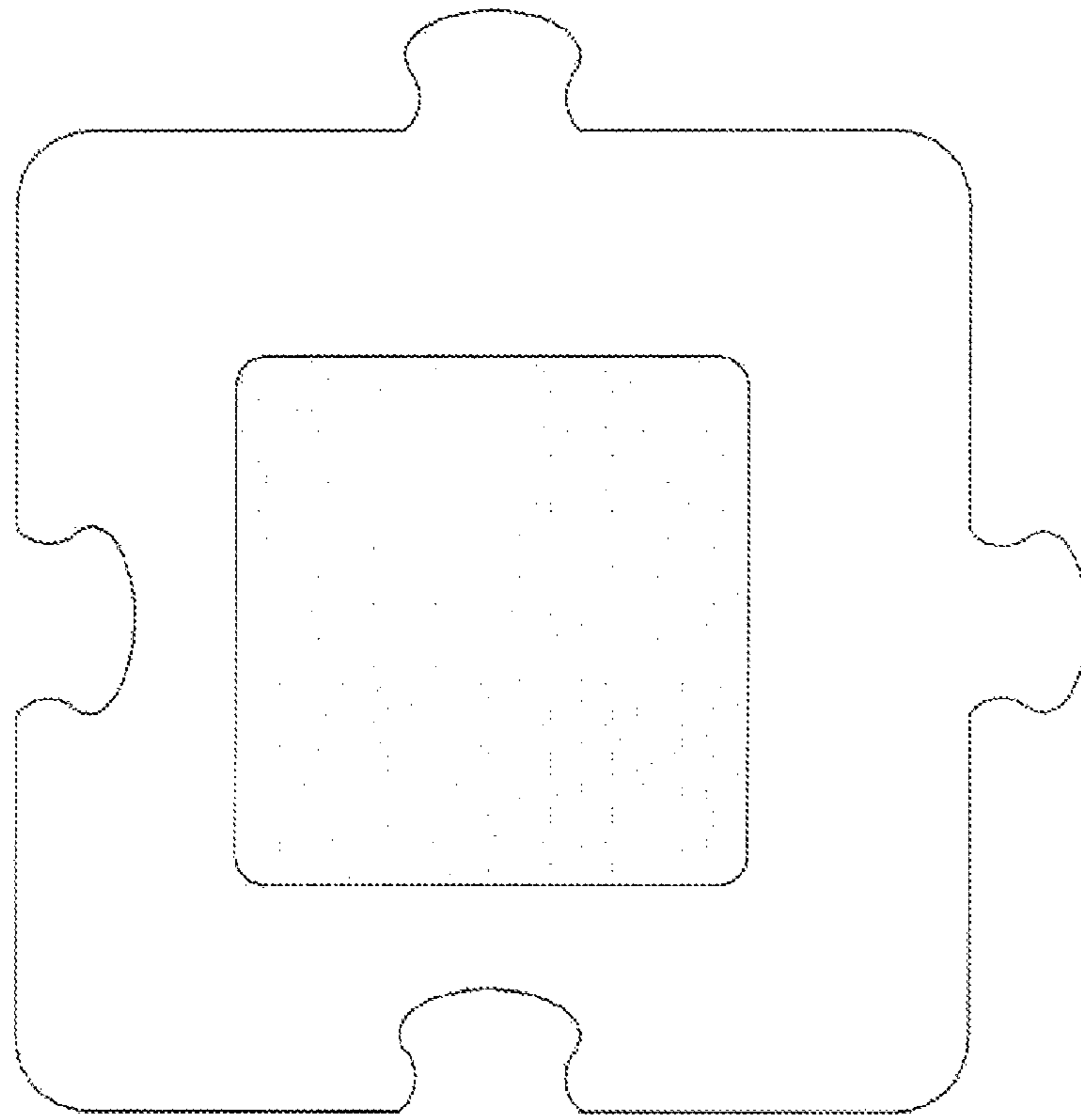


FIG. 6

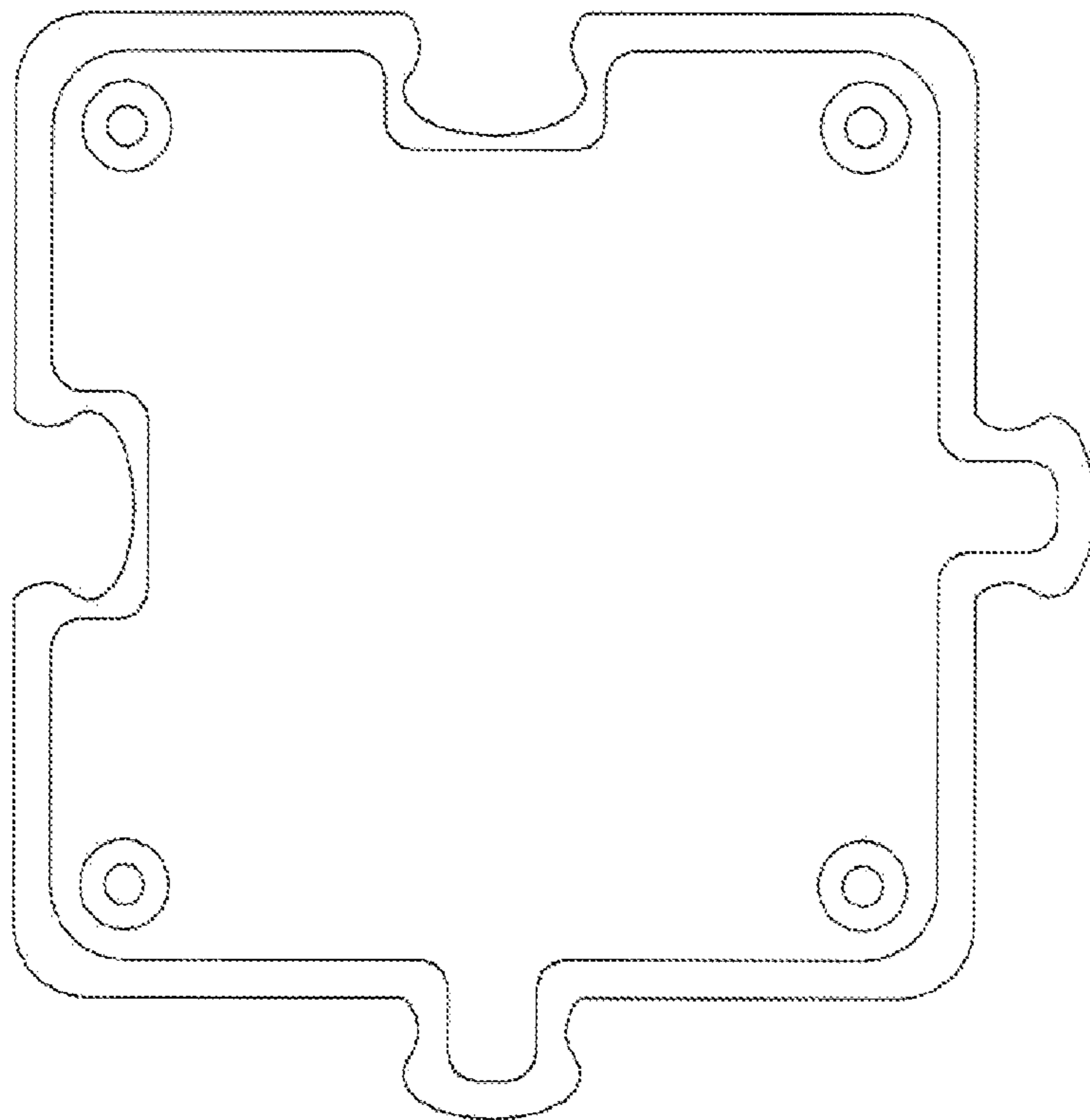


FIG. 7

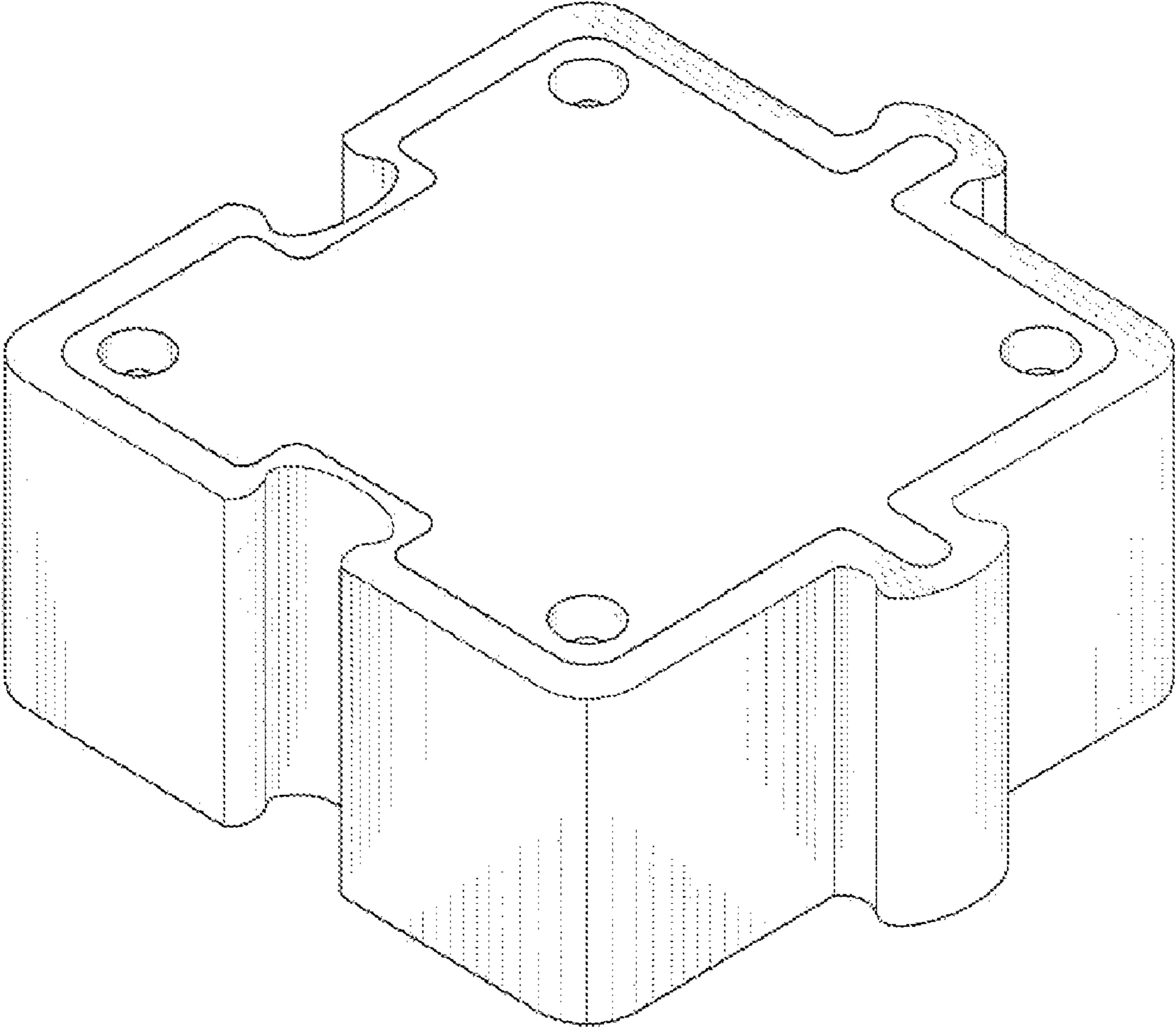


FIG. 8